



US00D432697S

United States Patent [19] Fahmian

[11] **Patent Number: Des. 432,697**

[45] **Date of Patent: ** Oct. 24, 2000**

[54] **LIGHT FIXTURE**

[75] Inventor: **Hal Fahmian**, Riverside, Calif.

[73] Assignee: **Thin-Lite Corporation**, Camarillo, Calif.

[**] Term: **14 Years**

[21] Appl. No.: **29/119,800**

[22] Filed: **Mar. 8, 2000**

[51] **LOC (7) Cl.** **26-05**

[52] **U.S. Cl.** **D26/76**

[58] **Field of Search** D26/75-78; 362/216,
362/217, 218, 219, 220, 221, 222, 223,
224, 225

[56] **References Cited**

U.S. PATENT DOCUMENTS

- D. 192,878 5/1962 Miuller .
- D. 300,471 3/1989 Szymanek .
- D. 300,874 4/1989 Szymanek .
- D. 333,530 2/1993 Boundy D26/76 X
- D. 404,161 1/1999 Herst et al. D26/76
- D. 405,908 2/1999 Herst et al. D26/76
- 4,698,733 10/1987 Griffin .
- 5,171,085 12/1992 Jaksich .

OTHER PUBLICATIONS

Lighting magazine, Feb. 1959, p. 29, Mus fluorescent lighting fixture.

Primary Examiner—Susan J. Lucas
Attorney, Agent, or Firm—Fulwider Patton Lee & Utecht, LLP

[57] **CLAIM**

The ornamental design for a light fixture, as shown and described.

DESCRIPTION

FIG. 1 is a broken bottom perspective view of a light fixture and lens showing my new design;

FIG. 2 is a broken front view, in enlarged scale, thereof;

FIG. 3 is a broken bottom view, in enlarged scale, thereof;

FIG. 4 is a broken top view, in enlarged scale, thereof;

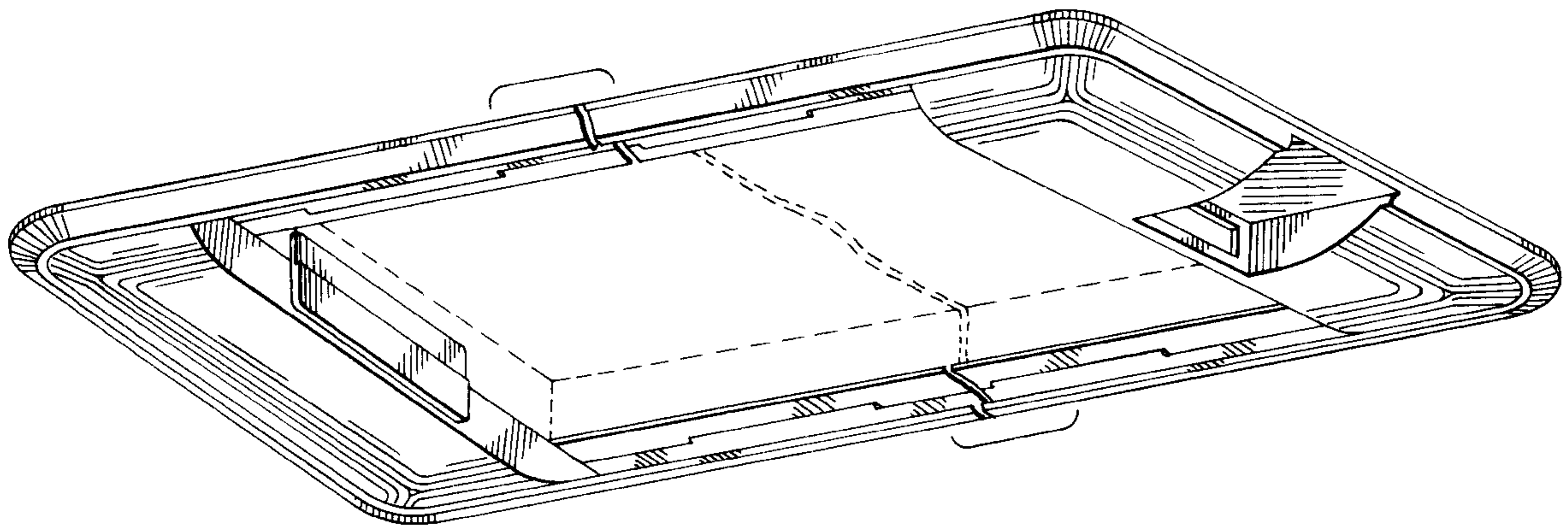
FIG. 5 is a right hand end view, in enlarged scale; and,

FIG. 6 is a left hand view thereof, in enlarged scale.

The light fixture is broken away to indicate indeterminate length.

The broken lines are shown for illustrative purposes only and form no part of the claimed design.

1 Claim, 4 Drawing Sheets



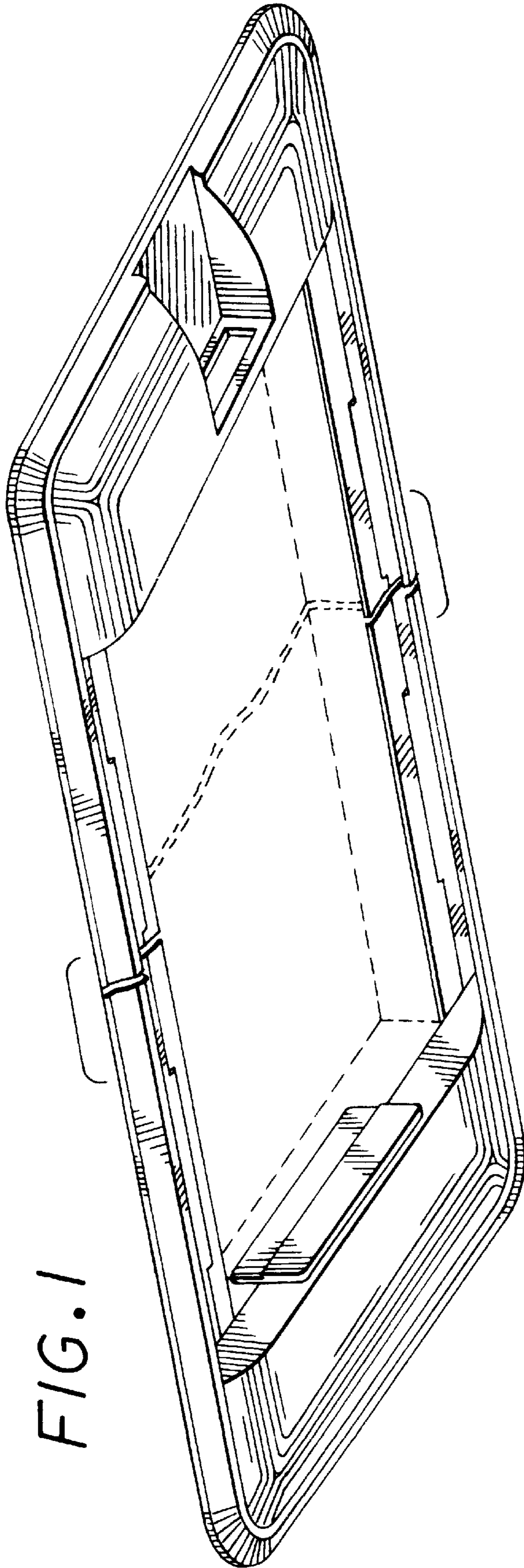


FIG. 1

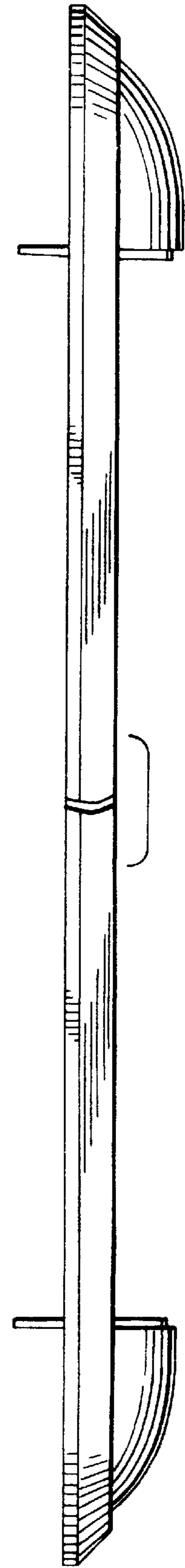
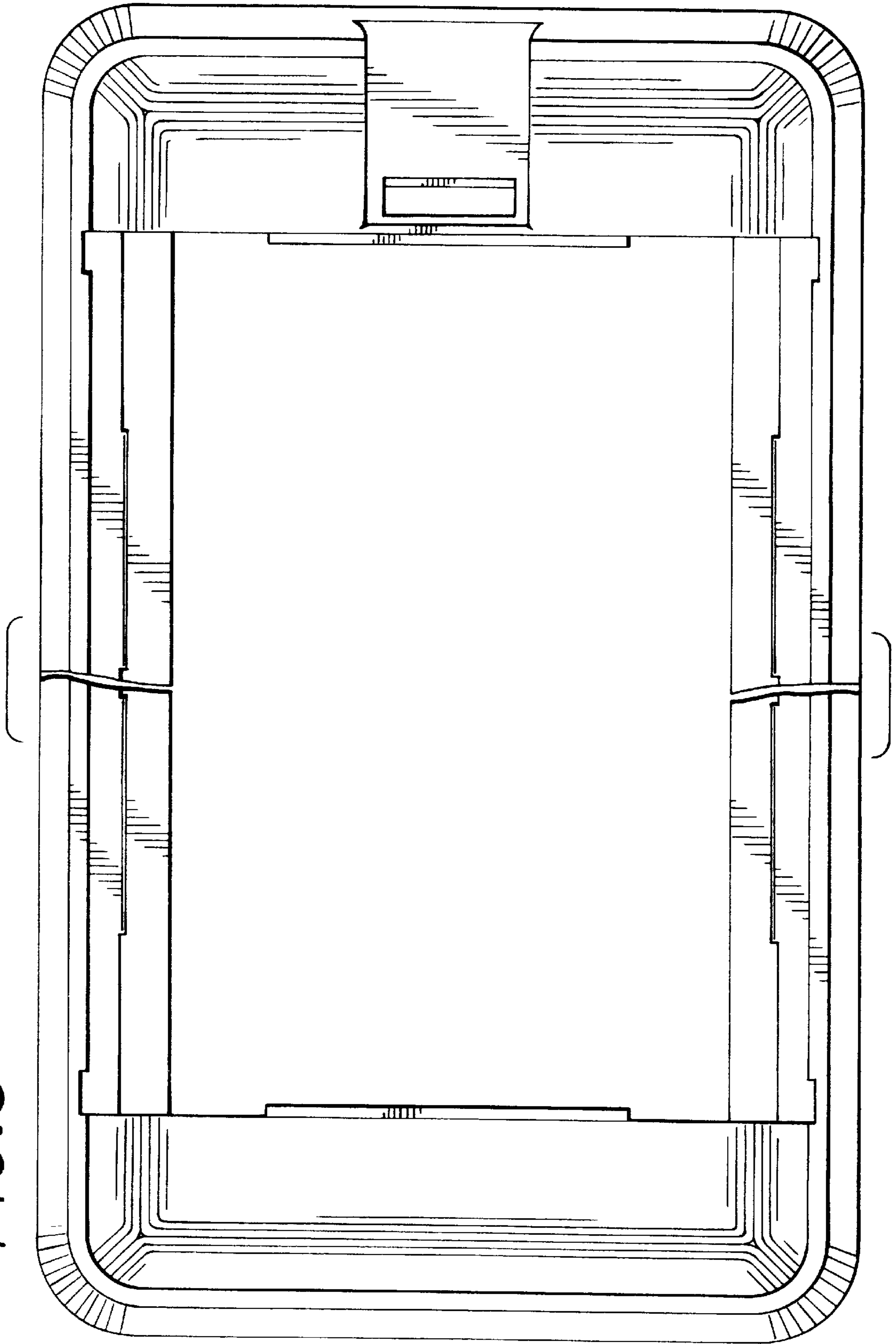


FIG. 2

FIG. 3



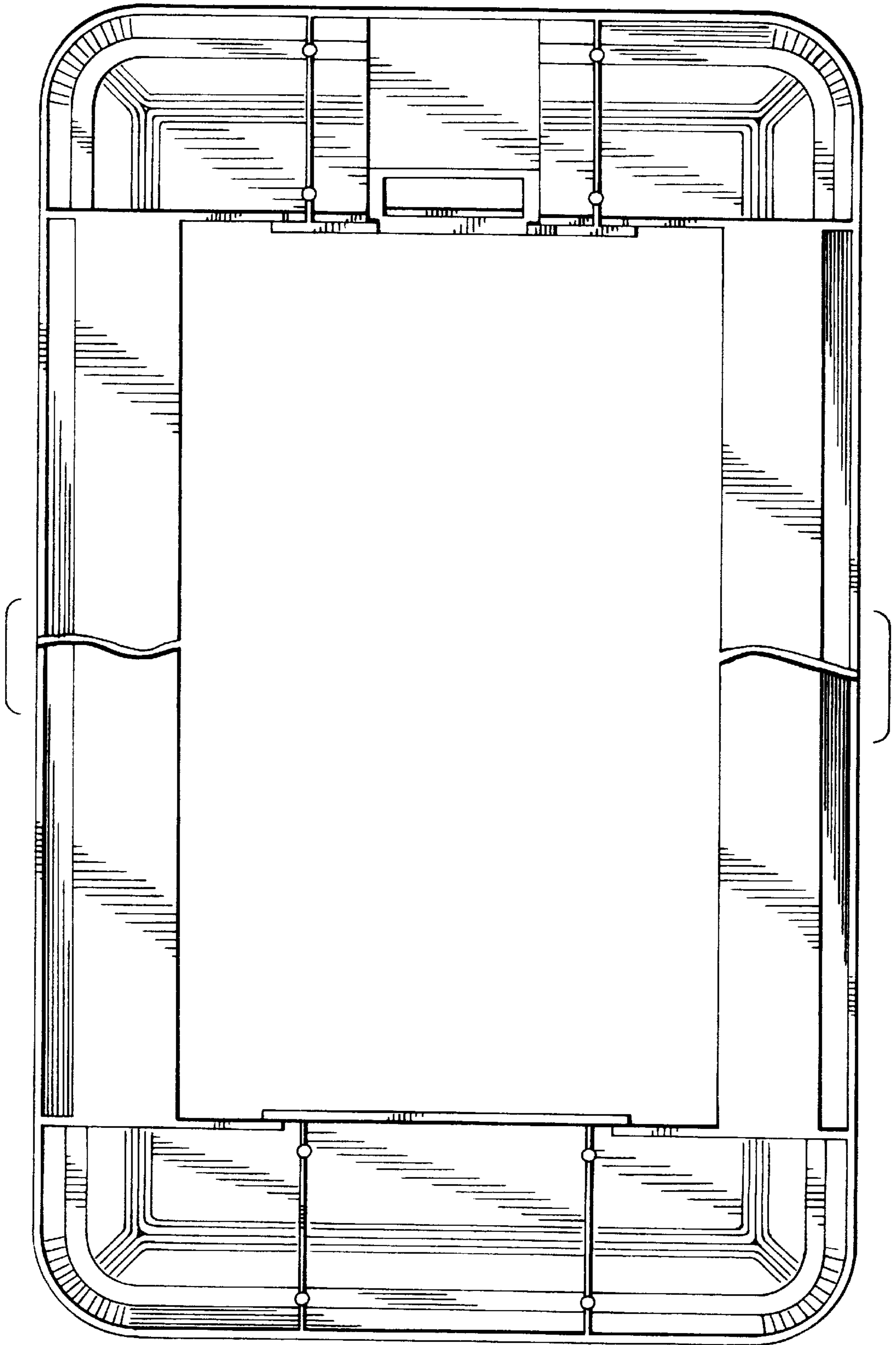


FIG. 4

FIG. 5

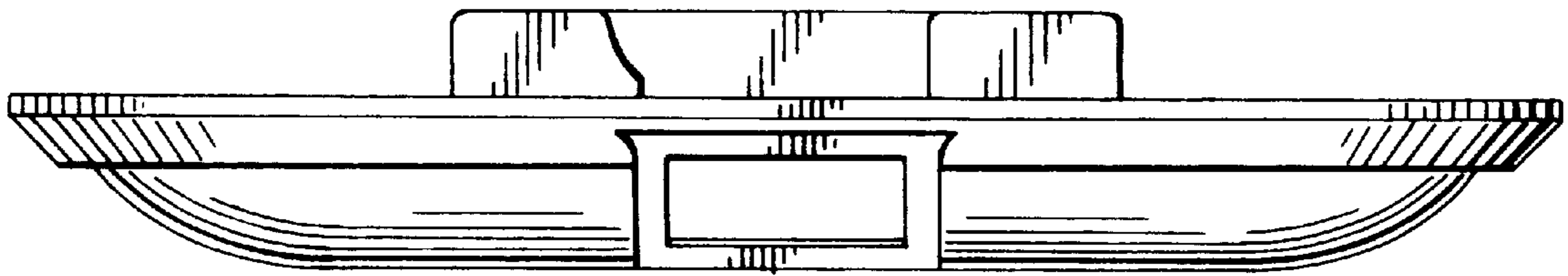


FIG. 6

