

US00D432695S

United States Patent [19]
Chen

[11] **Patent Number: Des. 432,695**

[45] **Date of Patent: ** Oct. 24, 2000**

[54] **LAMP**

[76] Inventor: **Frank Chen**, No.21, Alley 9, Lane 27,
Sec. 5, Min Shen E. Rd., Taipei, Taiwan

[**] Term: **14 Years**

[21] Appl. No.: **29/100,571**

[22] Filed: **Feb. 12, 1999**

[51] **LOC (7) Cl.** **26-05**

[52] **U.S. Cl.** **D26/65**

[58] **Field of Search** D26/93, 102-112,
D26/63, 65; 362/410-414

[56] **References Cited**

U.S. PATENT DOCUMENTS

D. 411,323 6/1999 Benghozi D26/64

Primary Examiner—Susan J. Lucas
Attorney, Agent, or Firm—Rosenberg, Klein & Lee

[57] **CLAIM**

The ornamental design for a lamp, as shown and described.

DESCRIPTION

FIG. 1 is the perspective view of a “lamp” showing my new design;

FIG. 2 is the front view thereof;

FIG. 3 is the rear view thereof;

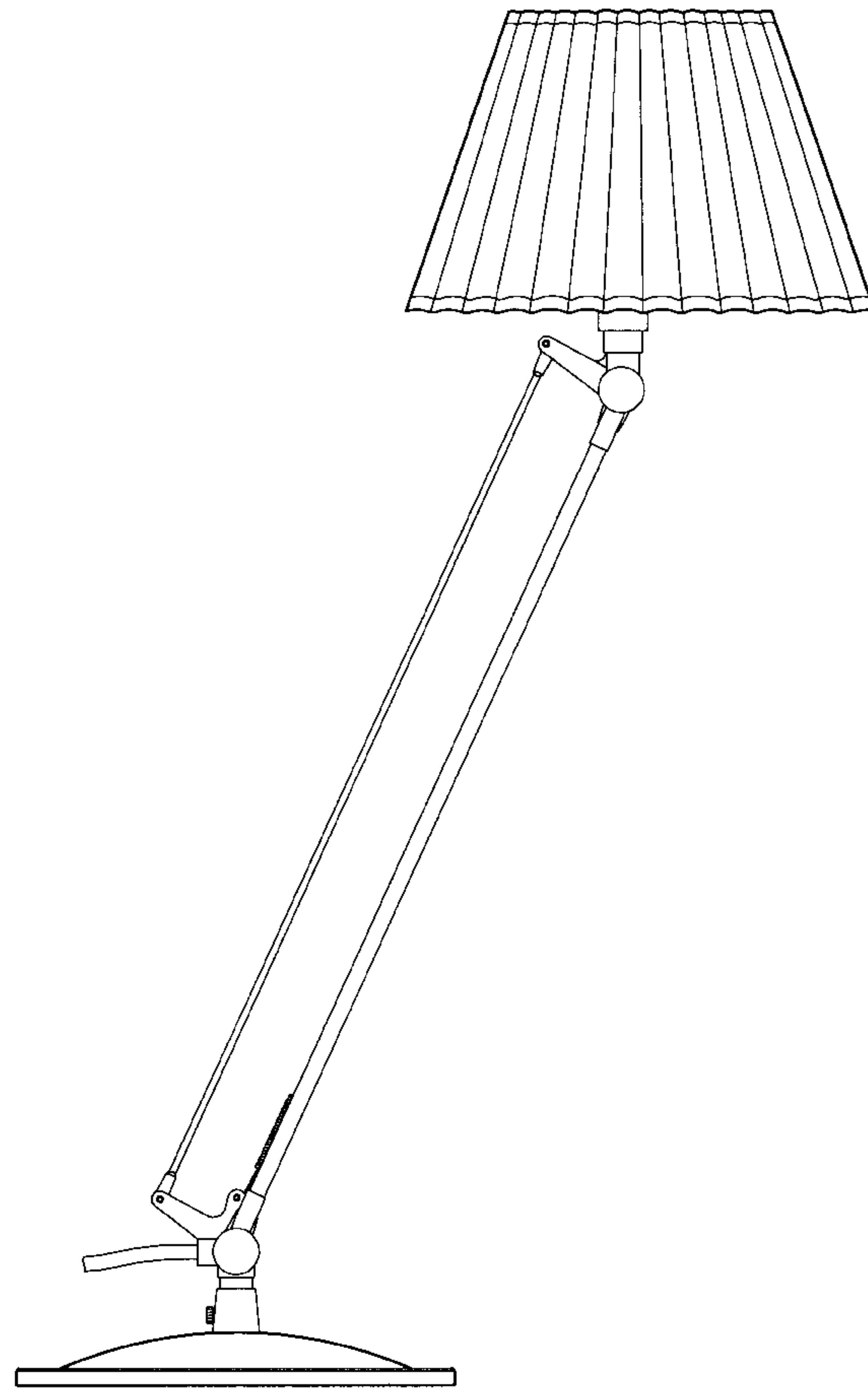
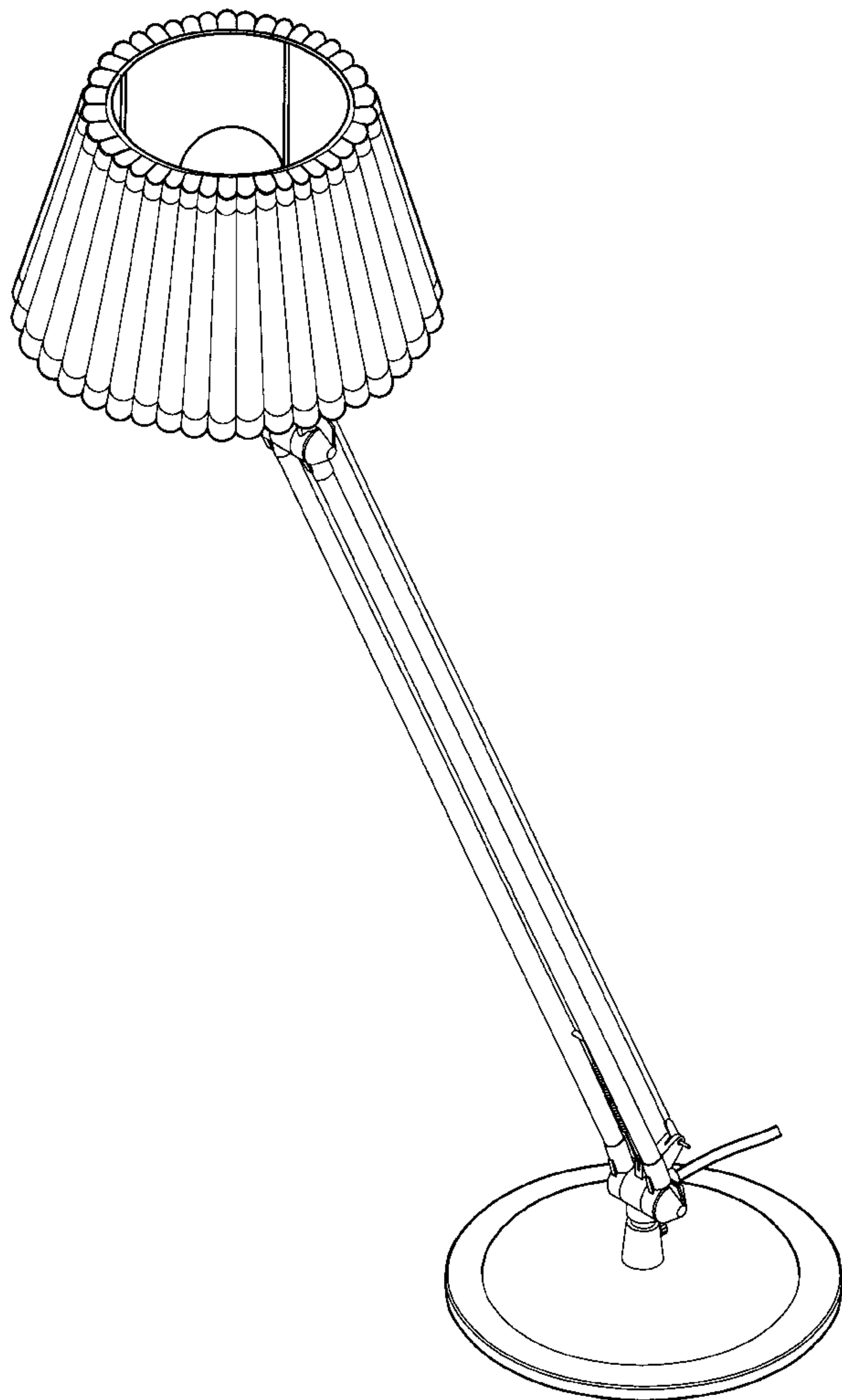
FIG. 4 is the left side view thereof;

FIG. 5 is the right side view thereof;

FIG. 6 is the top view thereof; and,

FIG. 7 is a bottom plan view thereof.

1 Claim, 5 Drawing Sheets



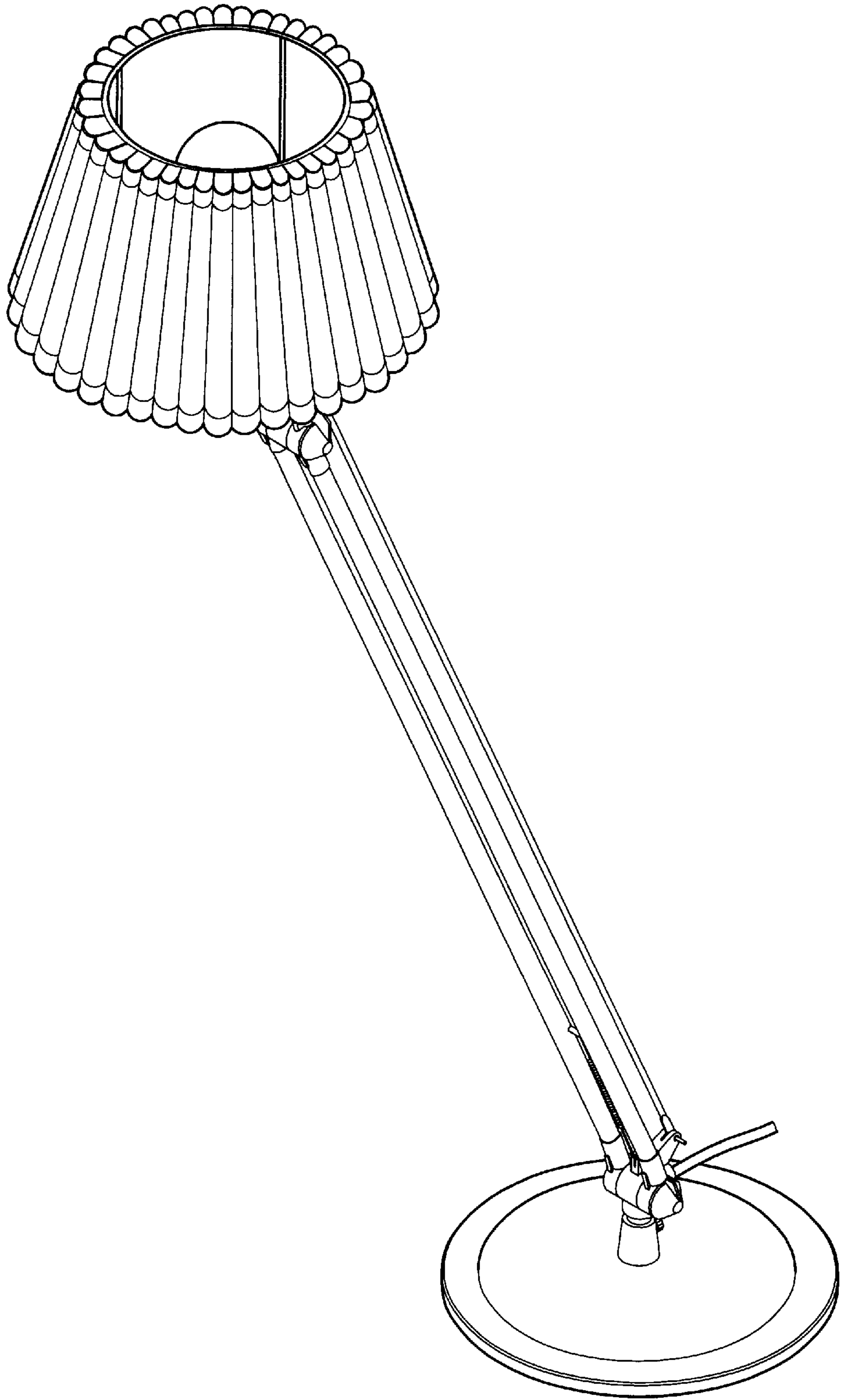


FIG. 1

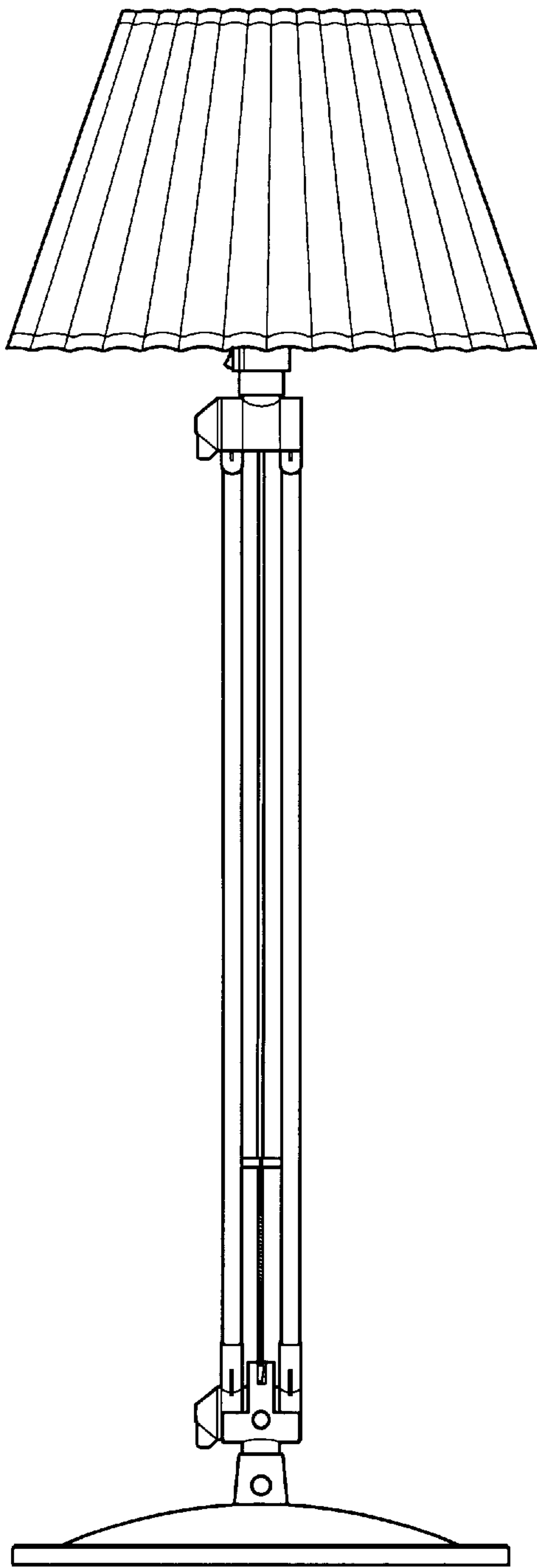


FIG. 2

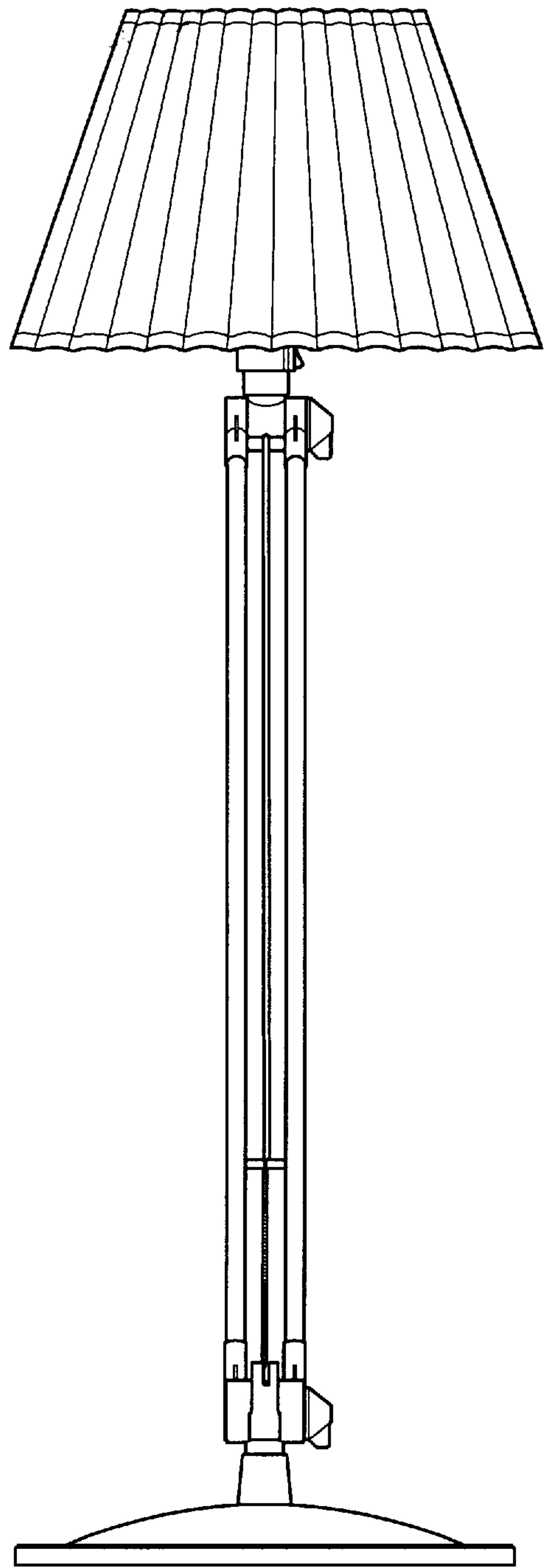


FIG. 3

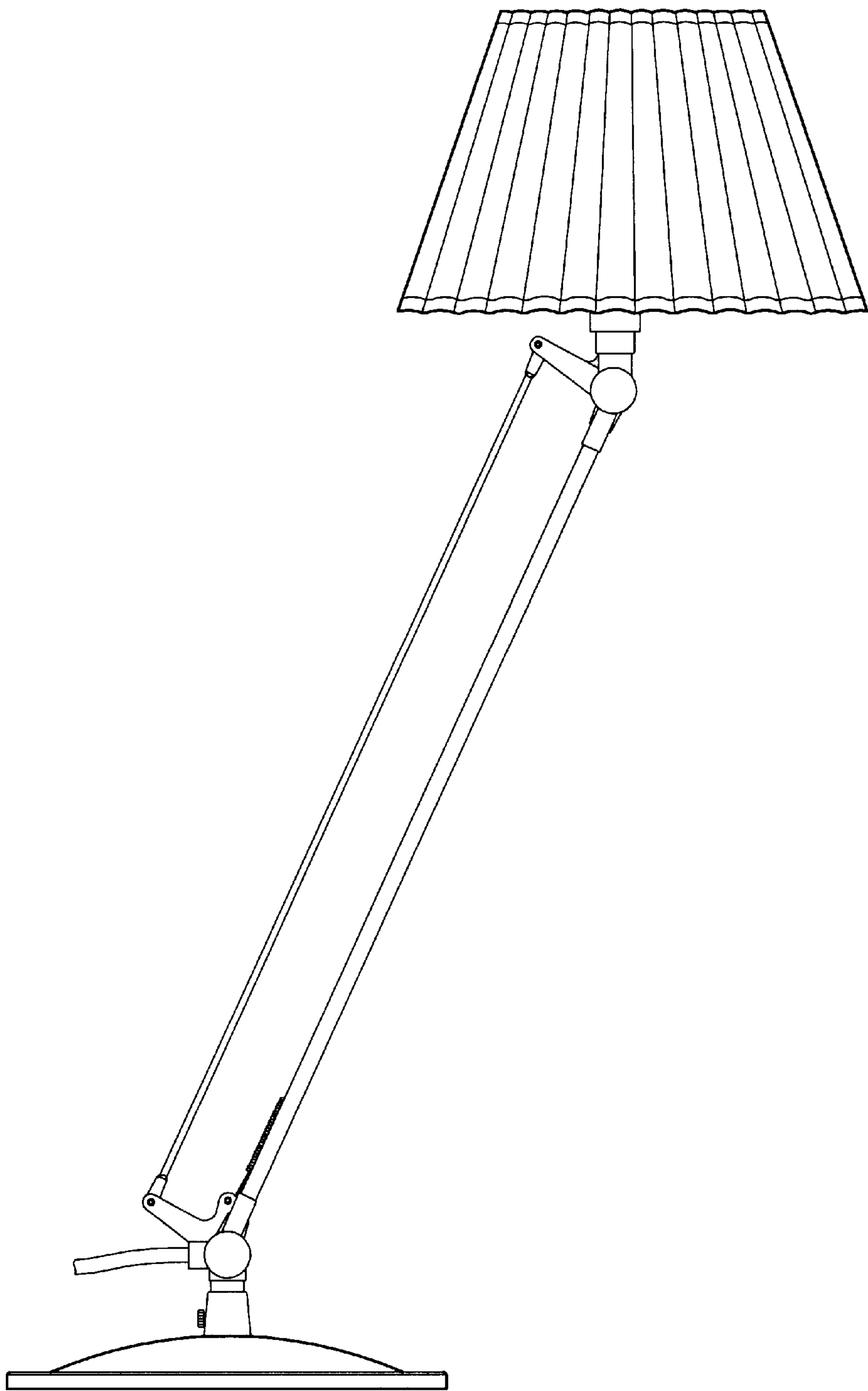


FIG. 4

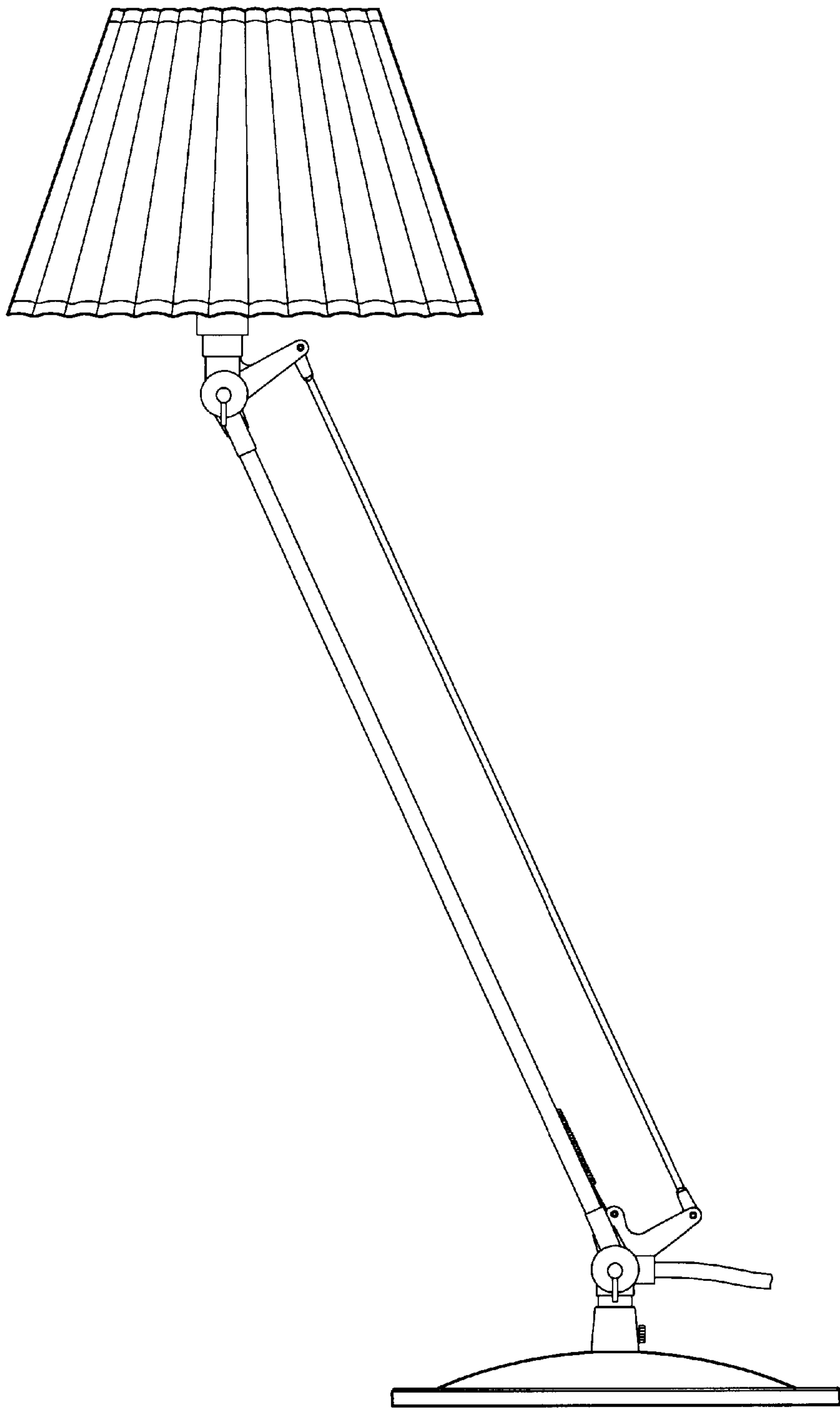


FIG. 5

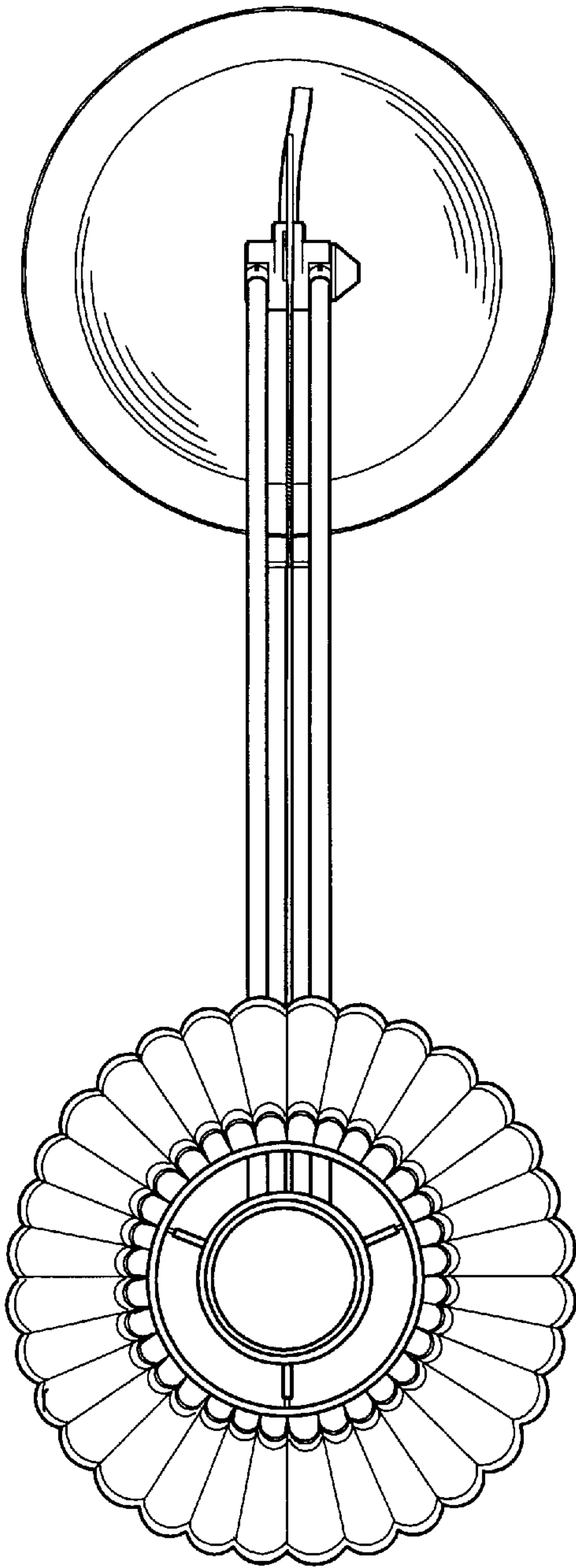


FIG. 6

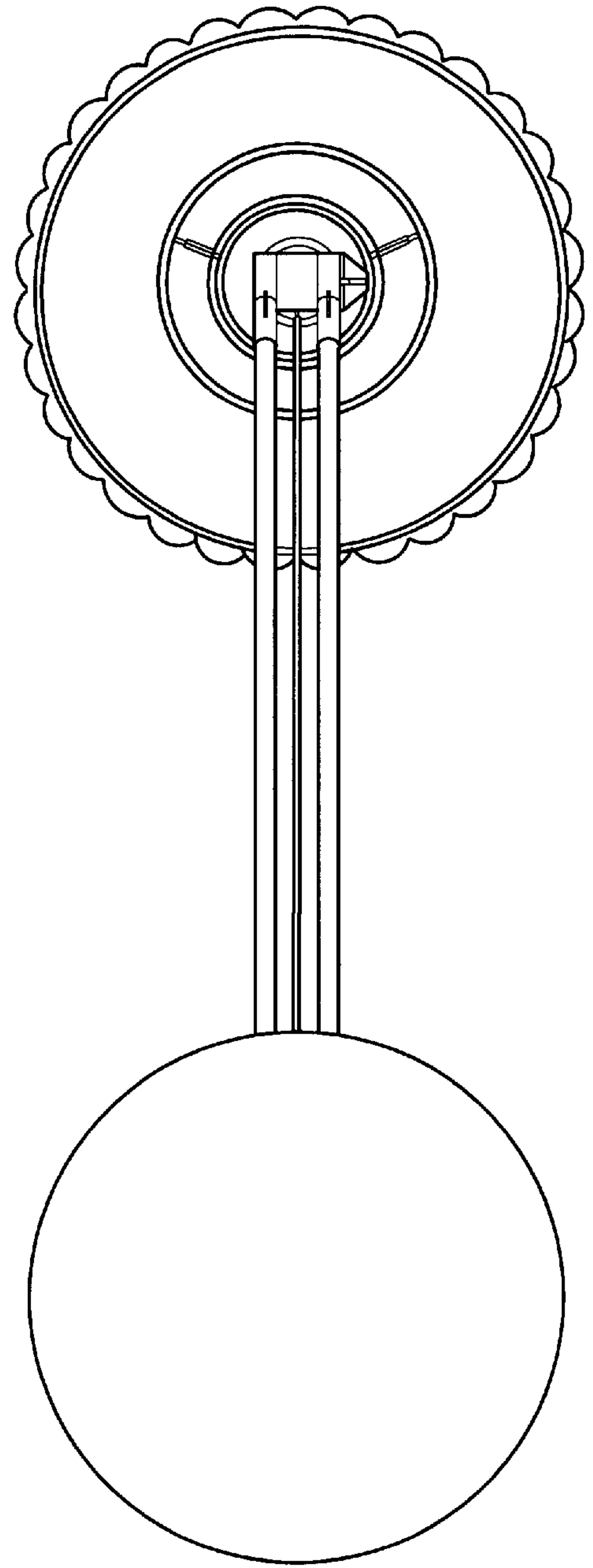


FIG. 7