



US00D432694S

United States Patent [19] Huang

[11] Patent Number: Des. 432,694

[45] Date of Patent: ** Oct. 24, 2000

[54] LAMP WITH TILTING ARM

[76] Inventor: Thomas M. Huang, 5649 N. Peck Rd., Arcadia, Calif. 91006

[**] Term: 14 Years

[21] Appl. No.: 29/098,649

[22] Filed: Jan. 4, 1999

Related U.S. Application Data

[62] Division of application No. 29/057,345, Jul. 23, 1996, Pat. No. Des. 414,577.

[51] LOC (7) Cl. 26-05

[52] U.S. Cl. D26/65

[58] Field of Search D26/60-66; 362/410-414, 362/269, 275, 287, 418, 419, 427

[56] References Cited

U.S. PATENT DOCUMENTS

D. 135,479 4/1943 Hopkins D26/65
5,016,153 5/1991 Gismondi 362/413

OTHER PUBLICATIONS

Karol Thomas Piano & Desk Lights catalog, 1990, p. 1, desk lamp #P10-190-M.

Primary Examiner—Susan J. Lucas

Attorney, Agent, or Firm—Sheldon & Mak

[57] CLAIM

The design for a lamp with tilting arm, as shown and described.

DESCRIPTION

FIG. 1 is a perspective view of the lamp with tilting arm of my invention;

FIG. 2 is a left side view of the lamp of FIG. 1;

FIG. 3 is a front elevational view of the lamp of FIG. 1;

FIG. 4 is a right side view of the lamp of FIG. 1;

FIG. 5 is a rear view of the lamp of FIG. 1;

FIG. 6 is a top elevational view of the lamp of FIG. 1;

FIG. 7 is a bottom elevational view of the lamp of FIG. 1;

FIG. 8 is an exploded view of the pivot holder, holding the tilting arm onto the main column of the lamp;

FIG. 9 is an alternative embodiment of the lamp of the present invention;

FIG. 10 is a left side view of the lamp of FIG. 9;

FIG. 11 is a front elevational view of the lamp of FIG. 9;

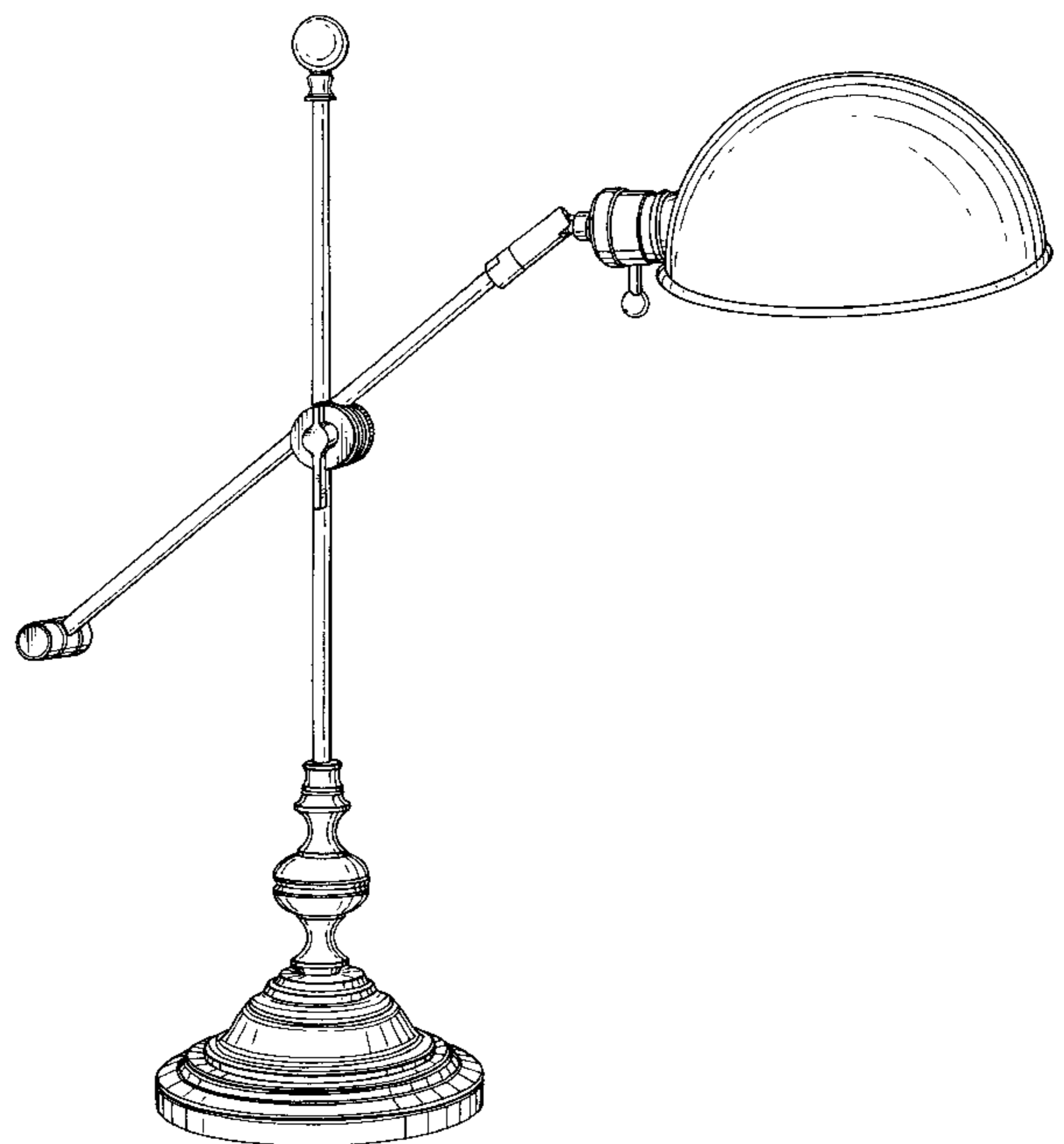
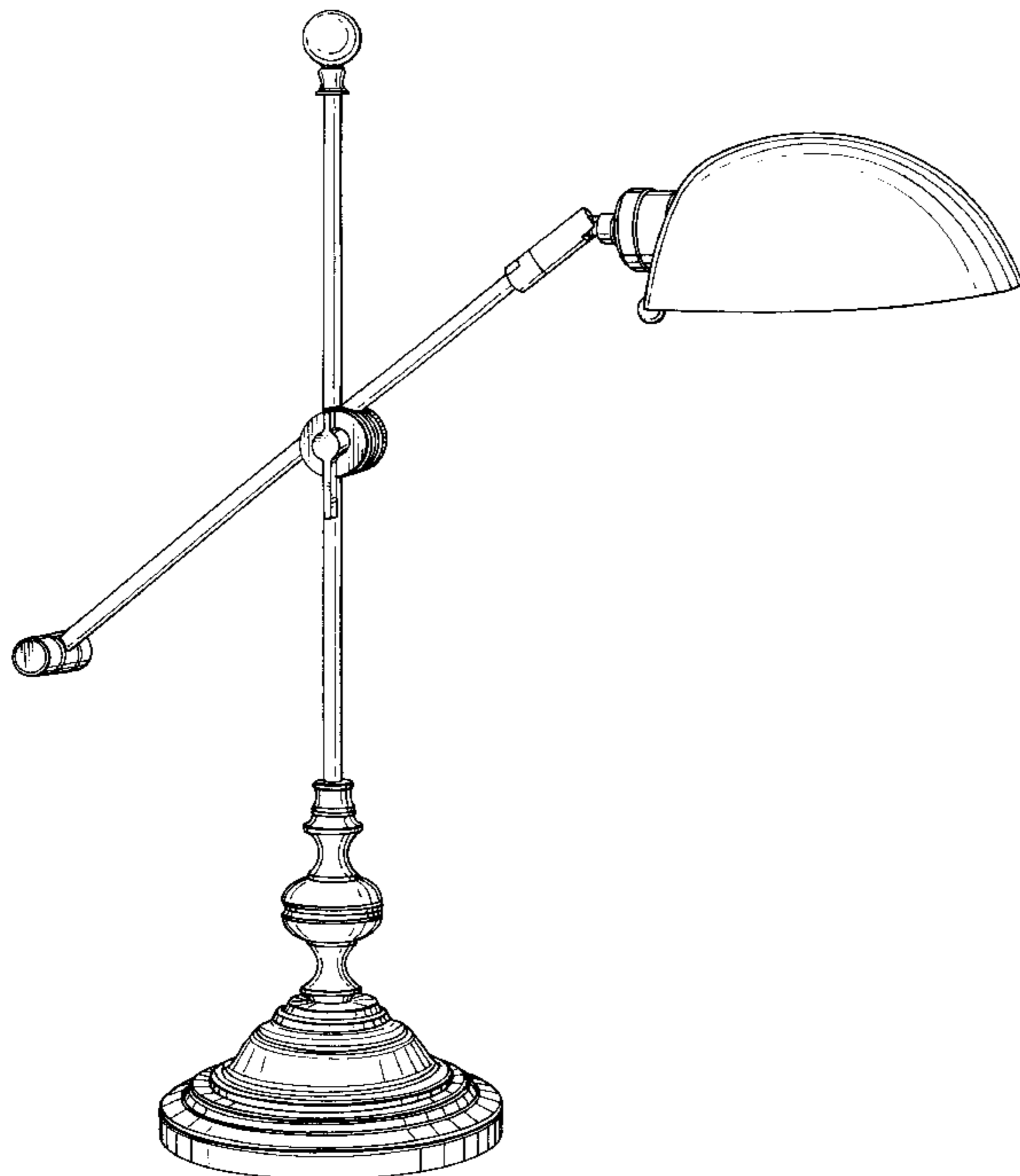
FIG. 12 is a right side view of the lamp of FIG. 9;

FIG. 13 is a rear view of the lamp of FIG. 9;

FIG. 14 is a top elevational view of the lamp of FIG. 9; and,

FIG. 15 is a bottom view of the lamp of FIG. 9.

1 Claim, 9 Drawing Sheets



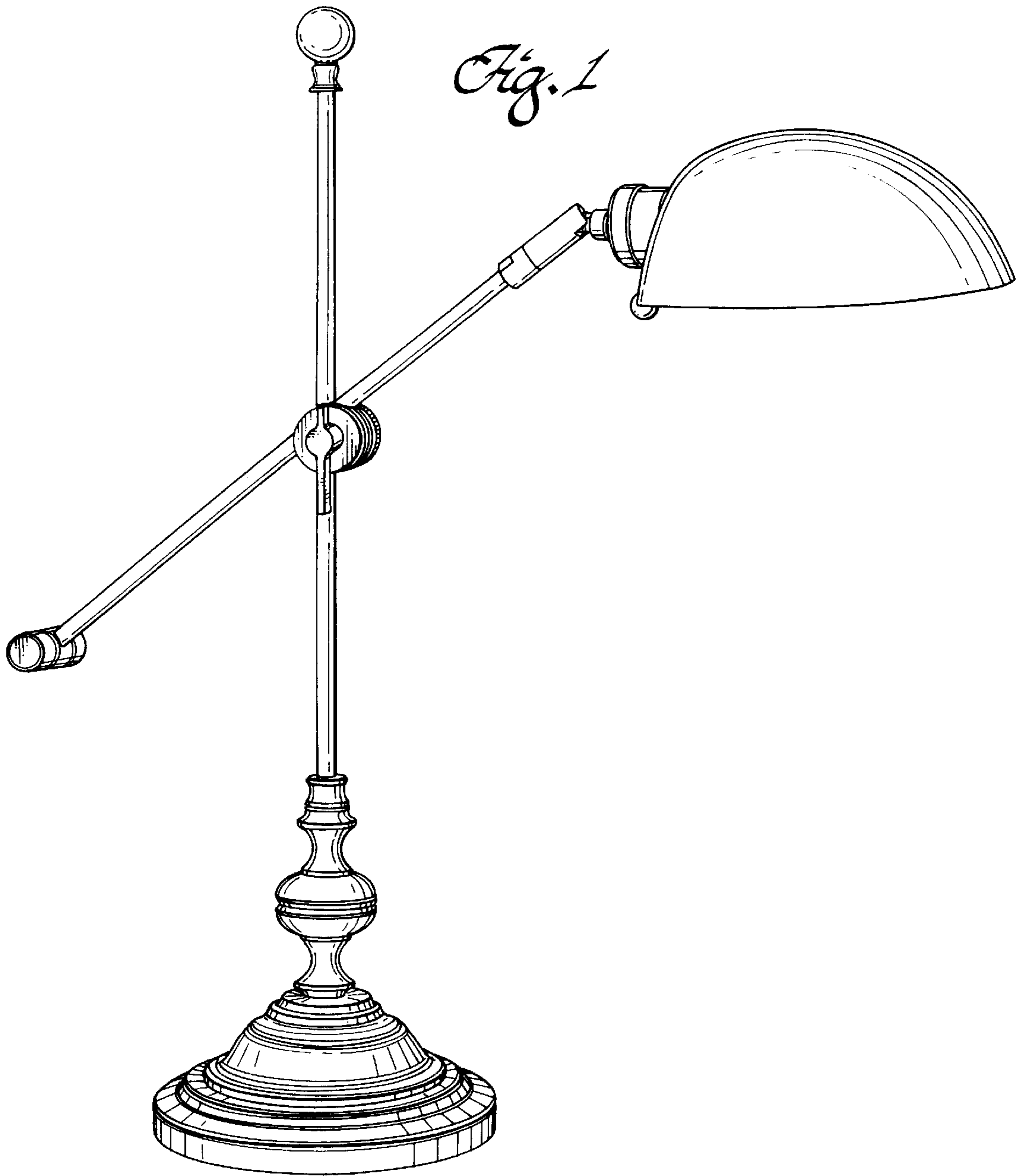


FIG. 3

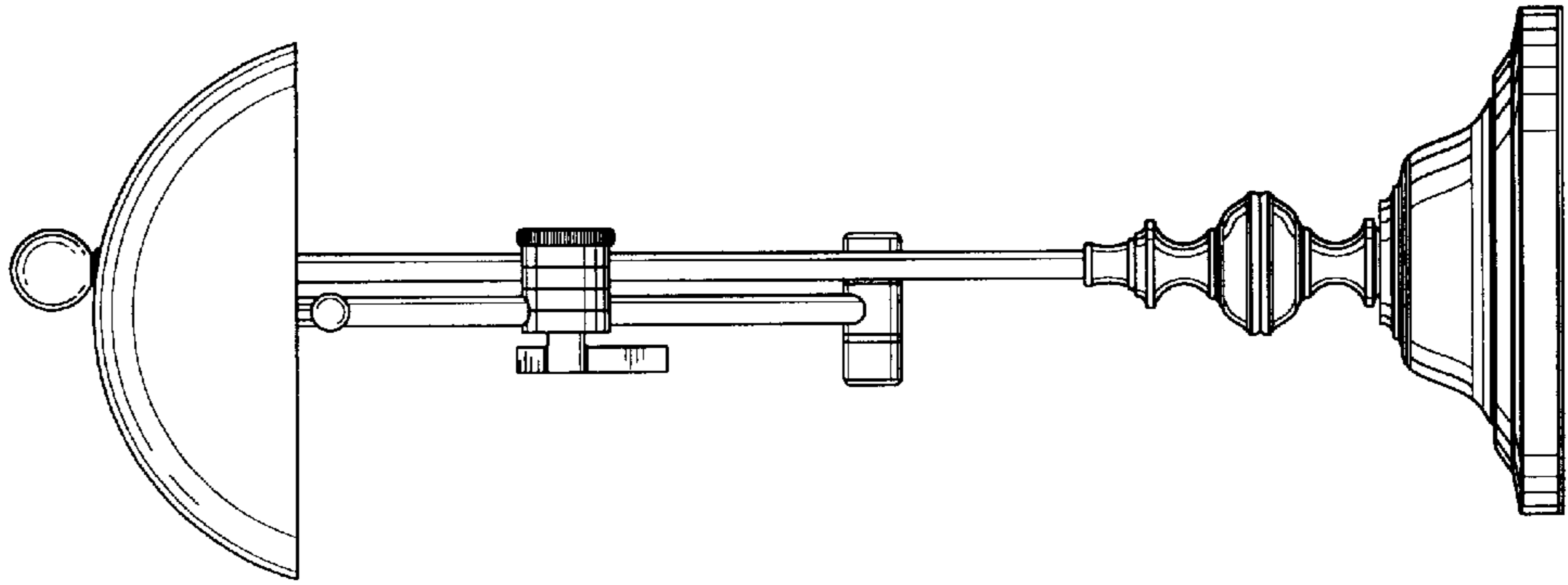
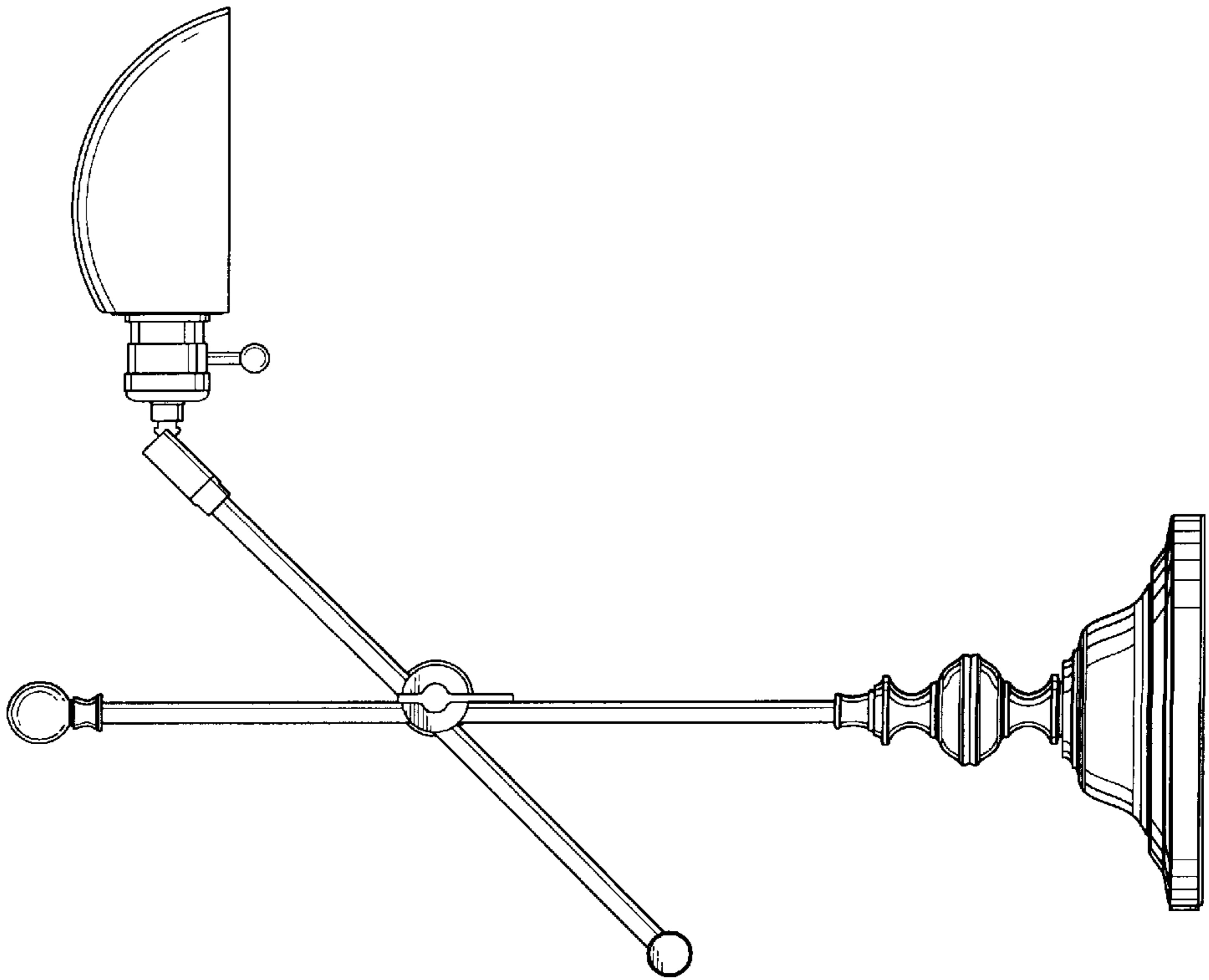


FIG. 2



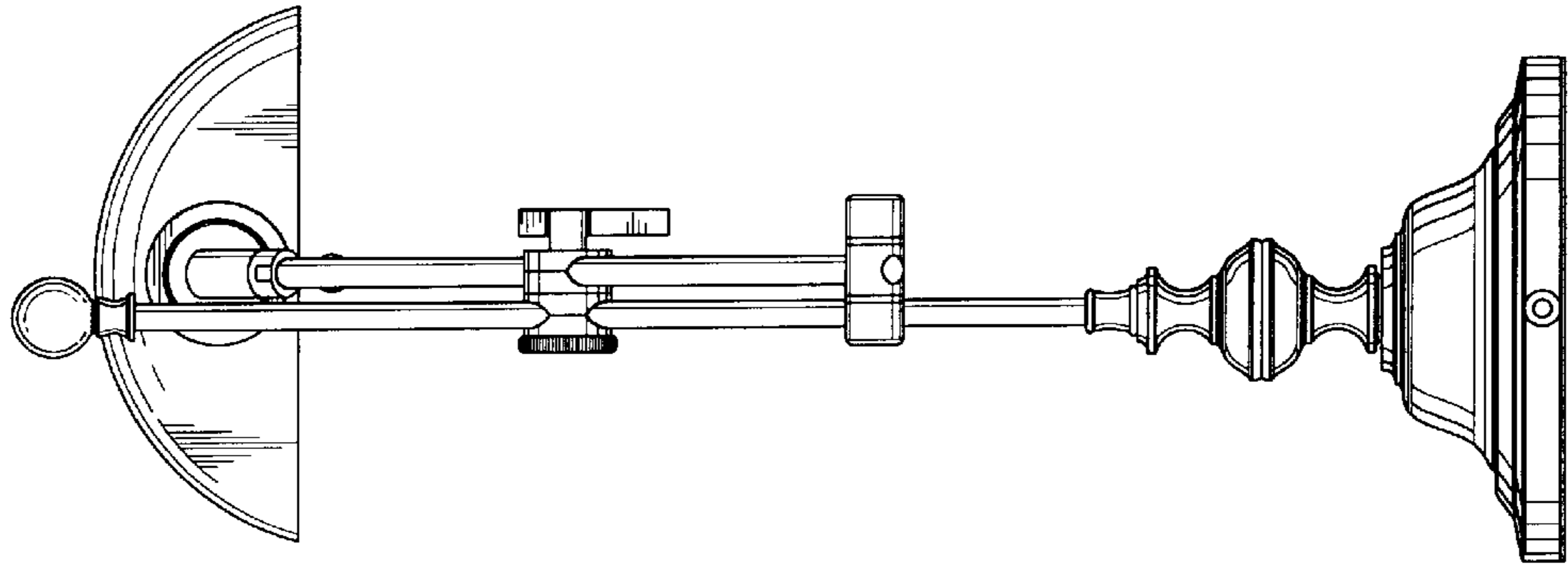


FIG. 5

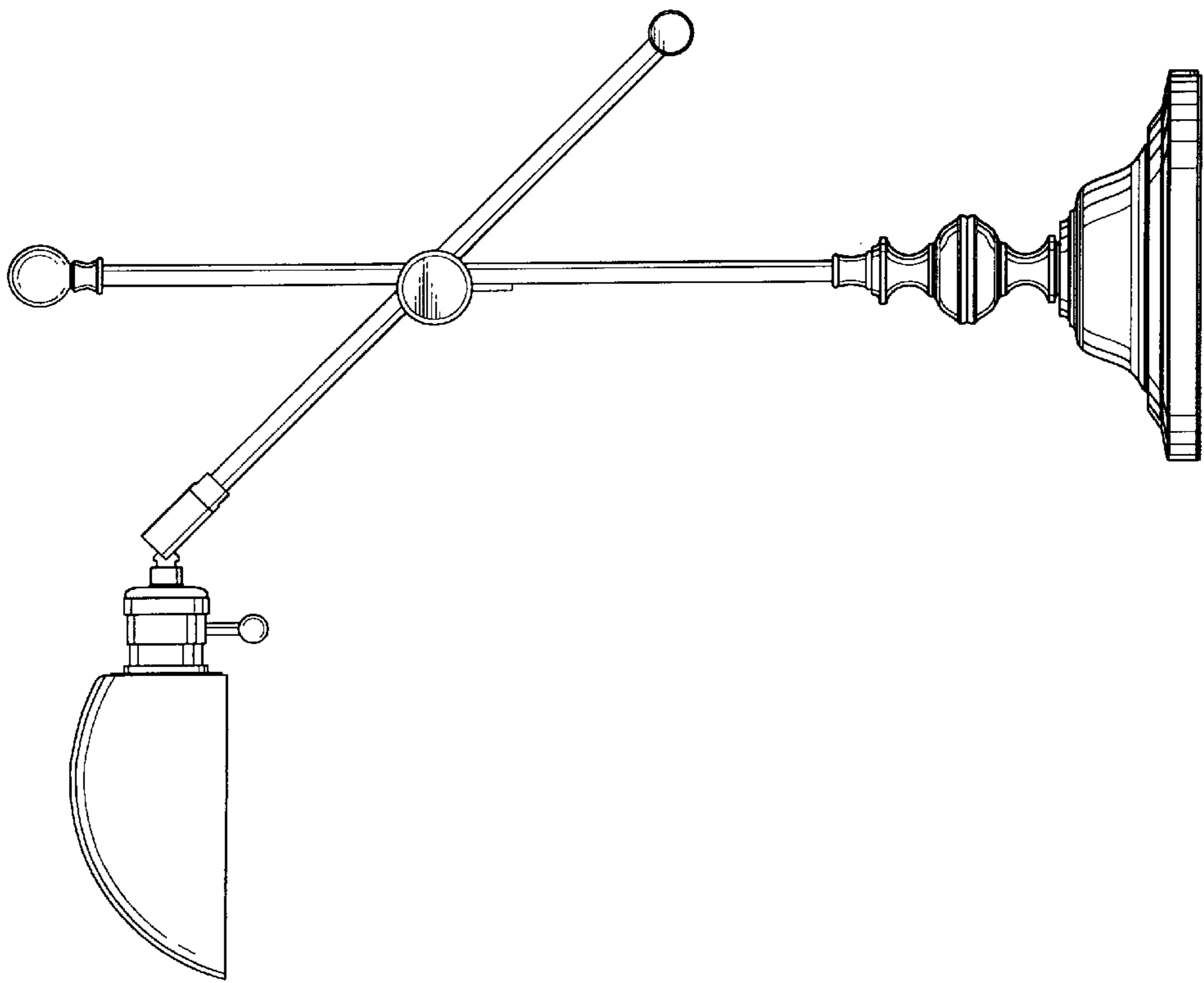


FIG. 4

FIG. 6

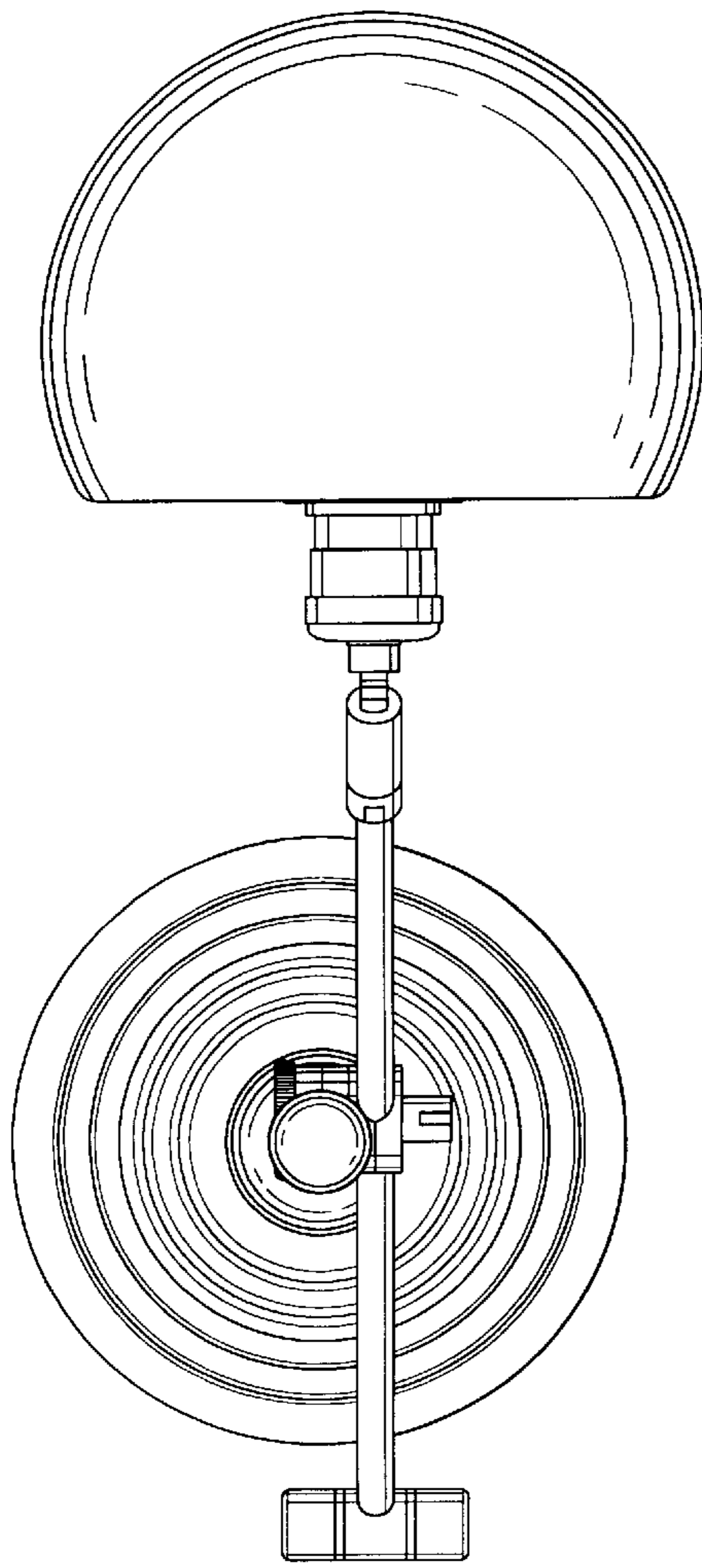
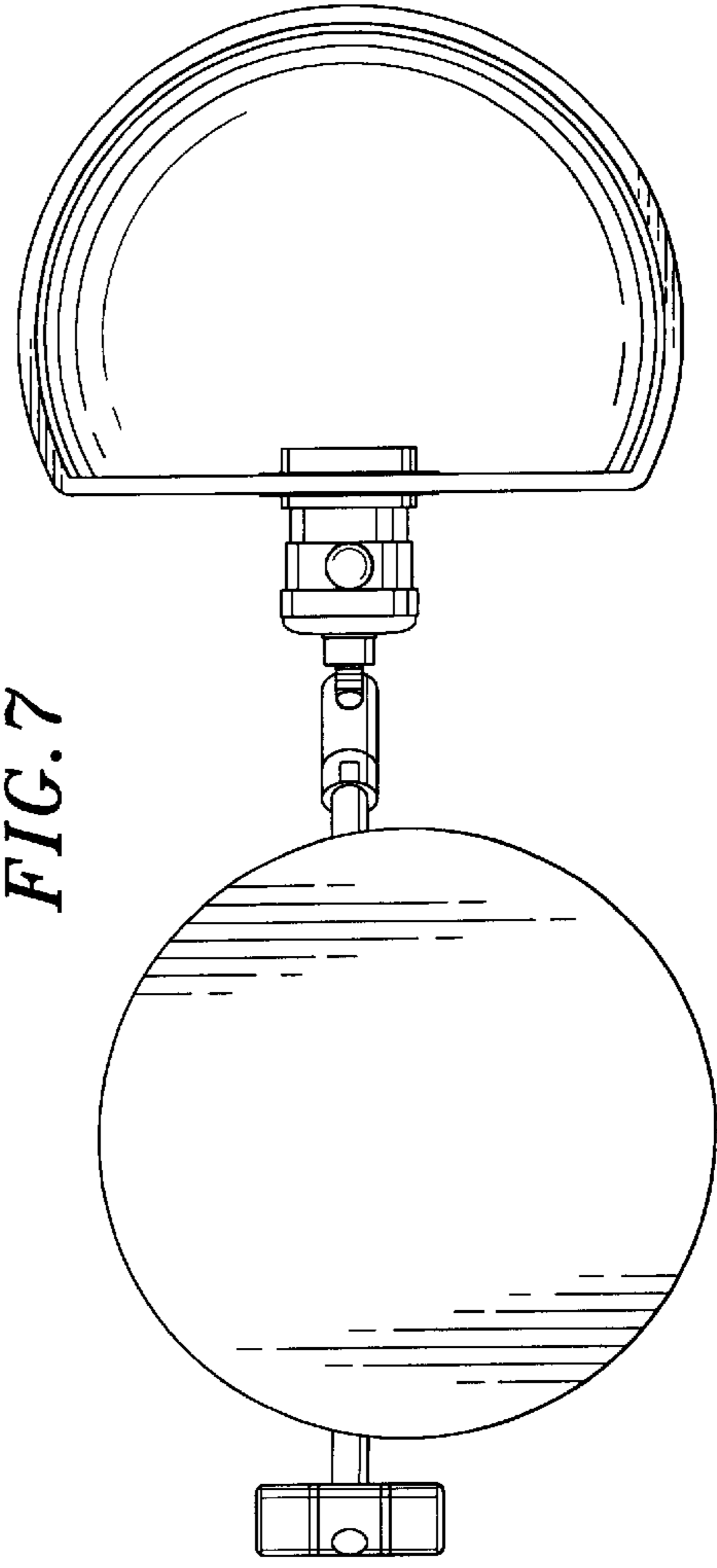
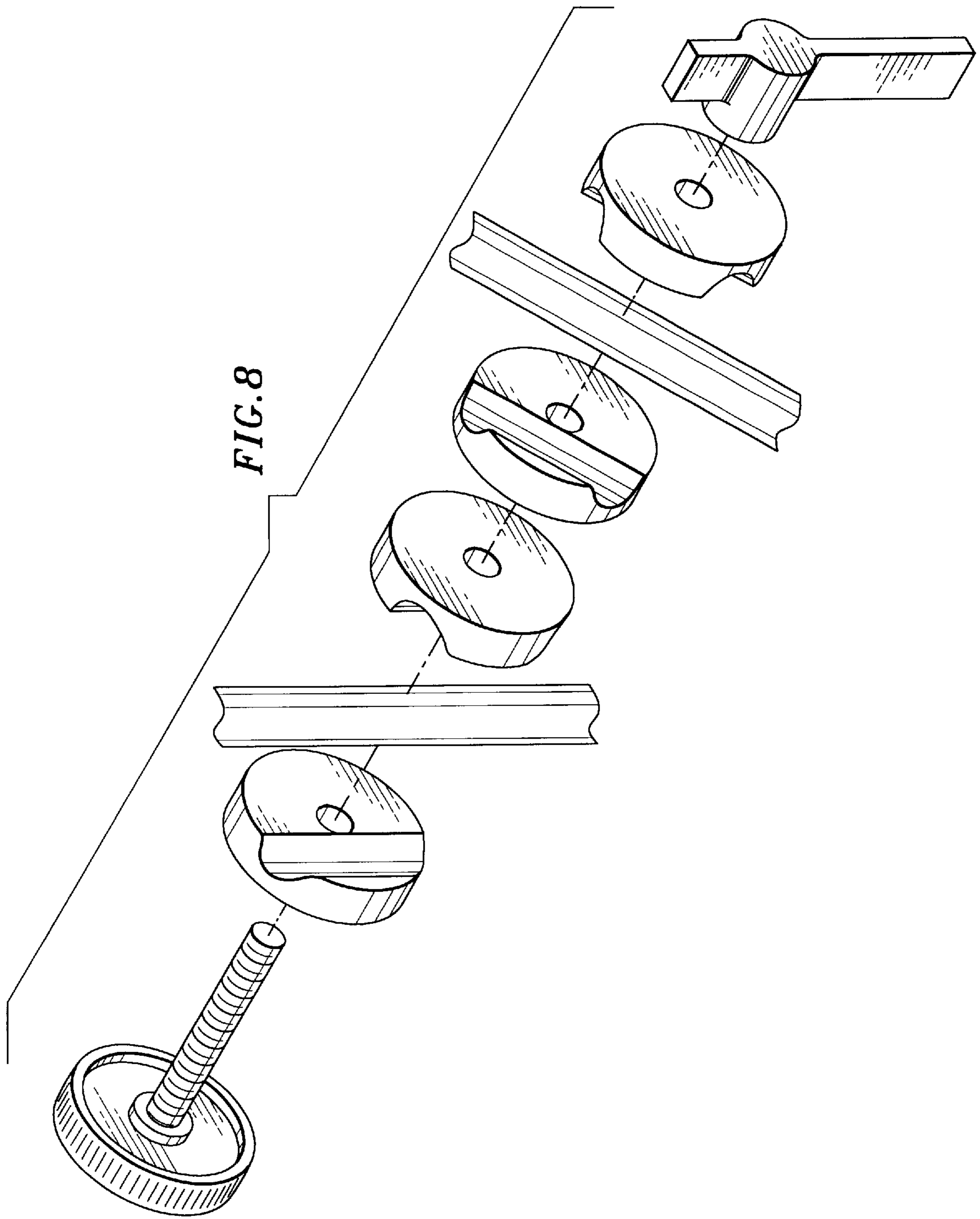


FIG. 7





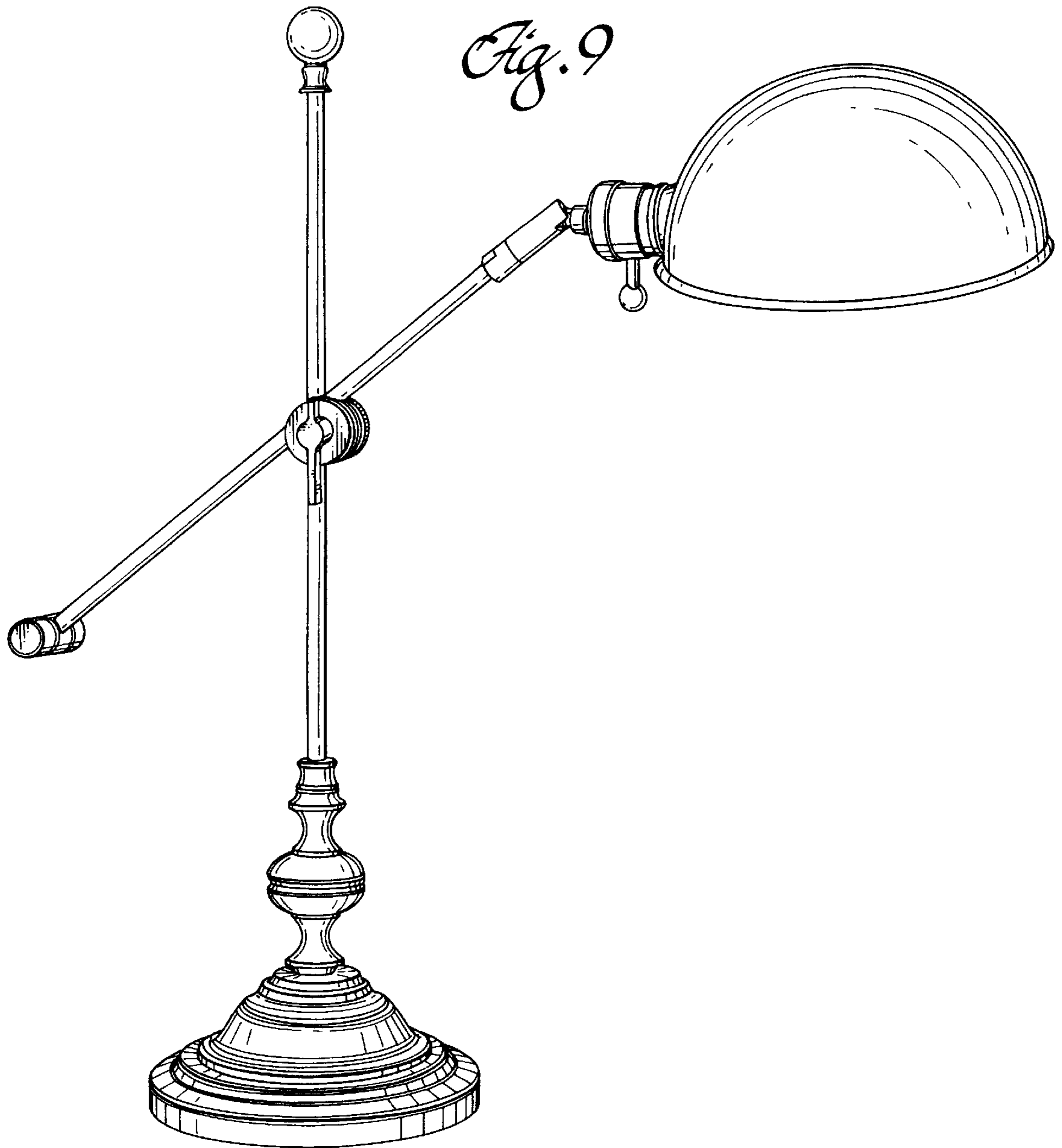


FIG. 11

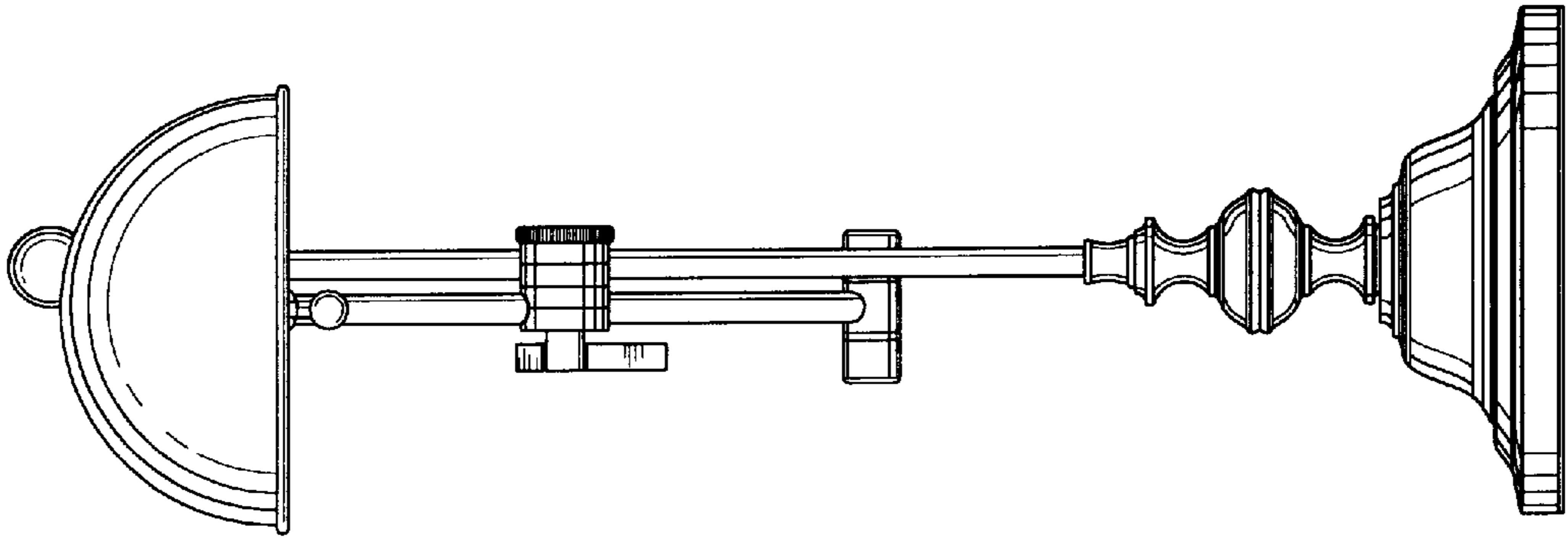


FIG. 10

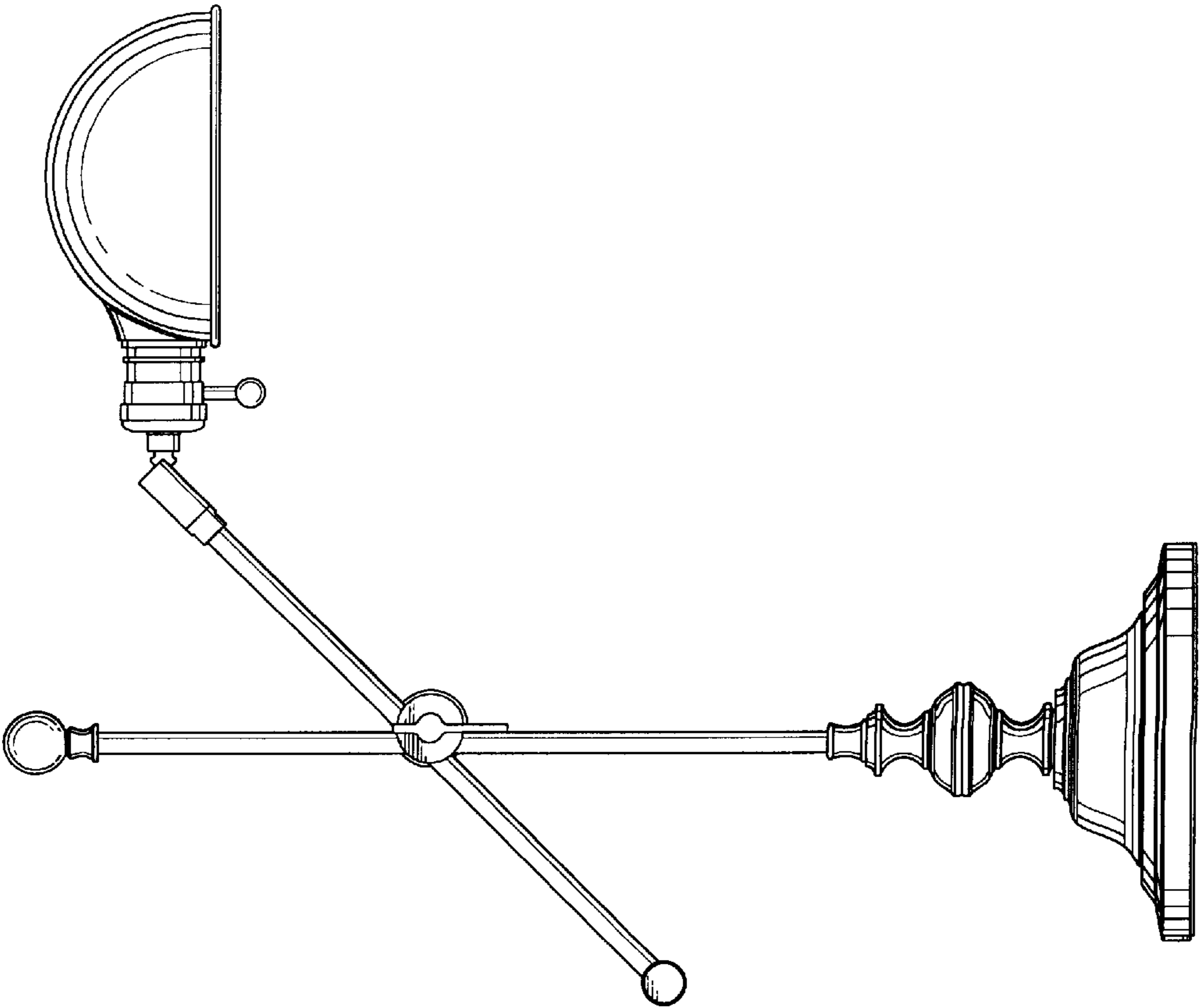


FIG. 13

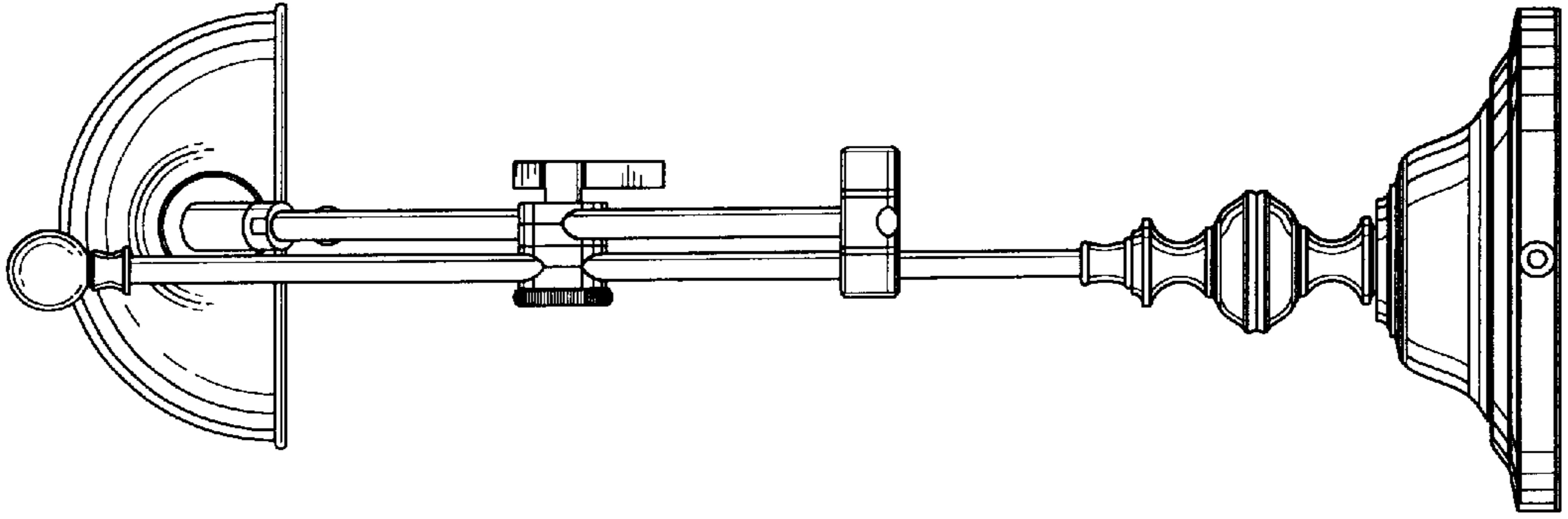


FIG. 12

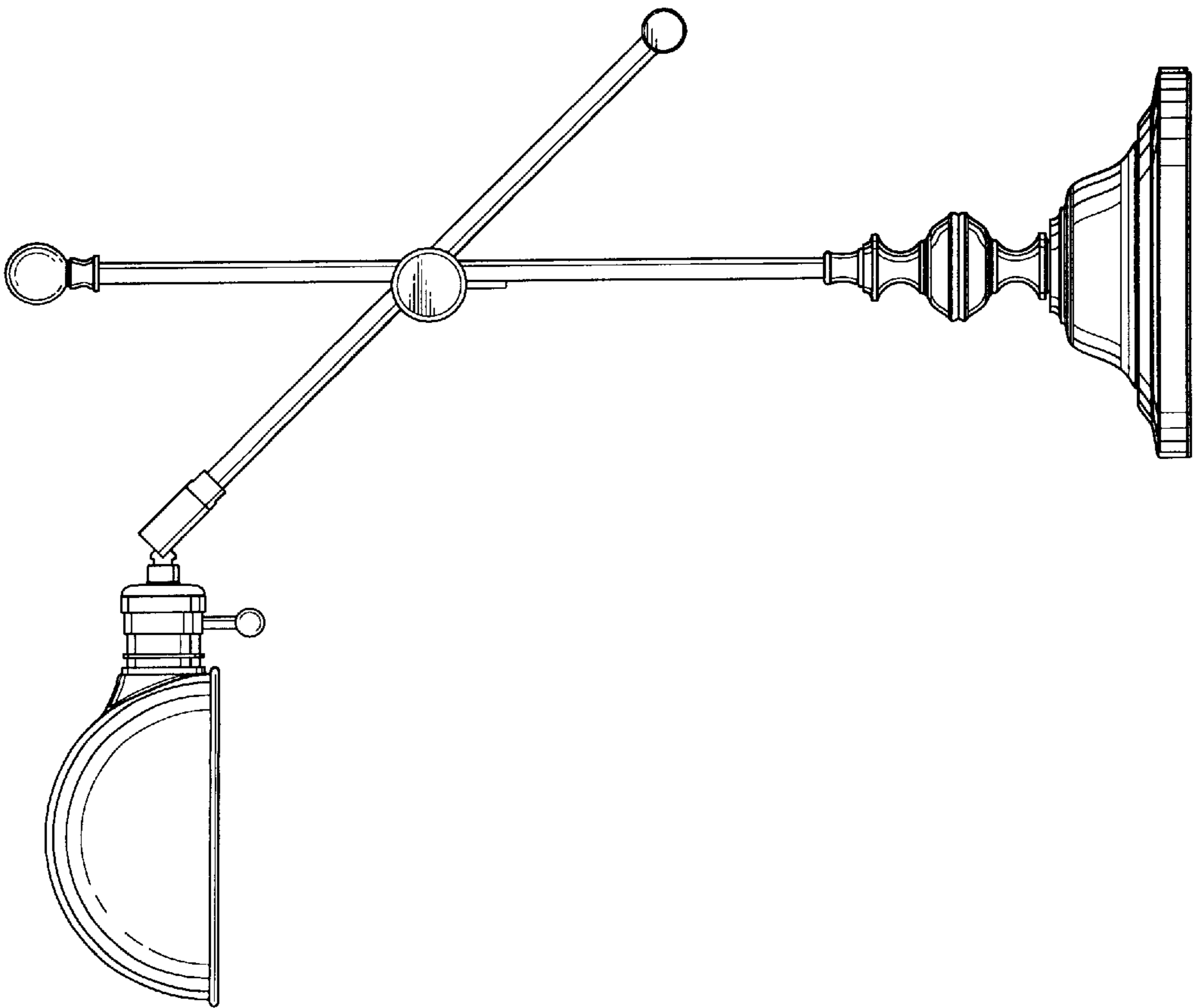


FIG. 14

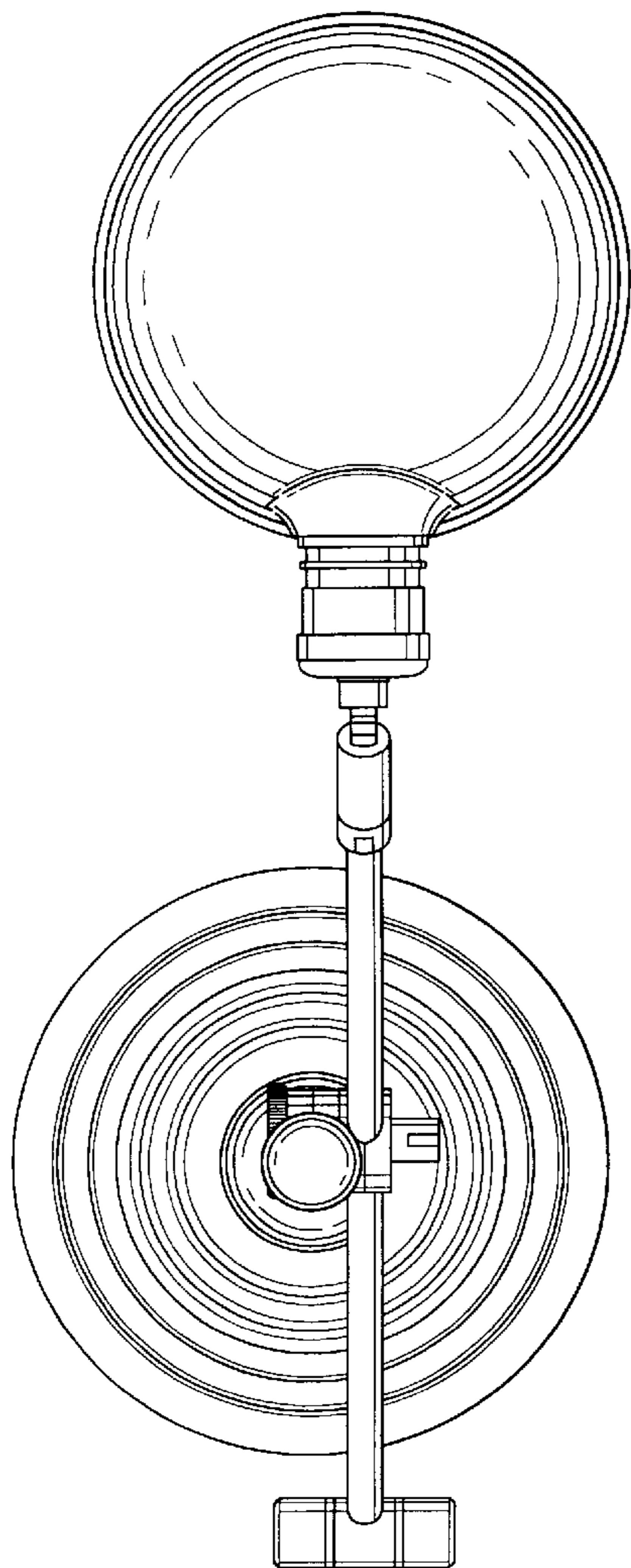


FIG. 15

