



US00D432692S

United States Patent [19]
Krieger

[11] **Patent Number: Des. 432,692**

[45] **Date of Patent: ** Oct. 24, 2000**

[54] **SPOTLIGHT LANTERN COMBINATION**

[75] Inventor: **Michael Krieger**, Miami Beach, Fla.

[73] Assignee: **Vector Manufacturing, Ltd.**, Ft. Lauderdale, Fla.

[**] Term: **14 Years**

[21] Appl. No.: **29/118,342**

[22] Filed: **Feb. 9, 2000**

[51] **LOC (7) Cl.** **26-02**

[52] **U.S. Cl.** **D26/45**

[58] **Field of Search** D26/37-50; 362/157, 362/158, 183-208

[56] **References Cited**

U.S. PATENT DOCUMENTS

D. 278,084	3/1985	Parker et al.	D26/45
D. 301,752	6/1989	Osterhout	D26/45
D. 311,778	10/1990	Dennis	D26/45
D. 342,582	12/1993	Young	D26/45
D. 356,875	3/1995	Zelina, Jr.	D26/45

Primary Examiner—Marcus A. Jackson
Attorney, Agent, or Firm—Venable; Robert Kinberg

[57] **CLAIM**

The ornamental design for a spotlight lantern combination, as shown and described.

DESCRIPTION

FIG. 1 is a perspective view of a spotlight lantern combination showing my new design according to one embodiment thereof;

FIG. 2 is a front elevational view of the spotlight lantern combination shown in FIG. 1;

FIG. 3 is a back elevational view of the spotlight lantern combination shown in FIG. 1;

FIG. 4 is a left side elevational view of the spotlight lantern combination shown in FIG. 1;

FIG. 5 is a right side elevational view of the spotlight lantern combination shown in FIG. 1;

FIG. 6 is a top elevational view of the spotlight lantern combination shown in FIG. 1;

FIG. 7 is a bottom elevational view of the spotlight lantern combination shown in FIG. 1; and

FIG. 8 is a perspective view of the spotlight lantern combination shown in FIG. 1 in a secondary position.

FIG. 9 is a perspective view of a spotlight lantern combination showing my new design according to another embodiment thereof;

FIG. 10 is a front elevational view of the spotlight lantern combination shown in FIG. 9;

FIG. 11 is a back elevational view of the spotlight lantern combination shown in FIG. 9;

FIG. 12 is a left side elevational view of the spotlight lantern combination shown in FIG. 9;

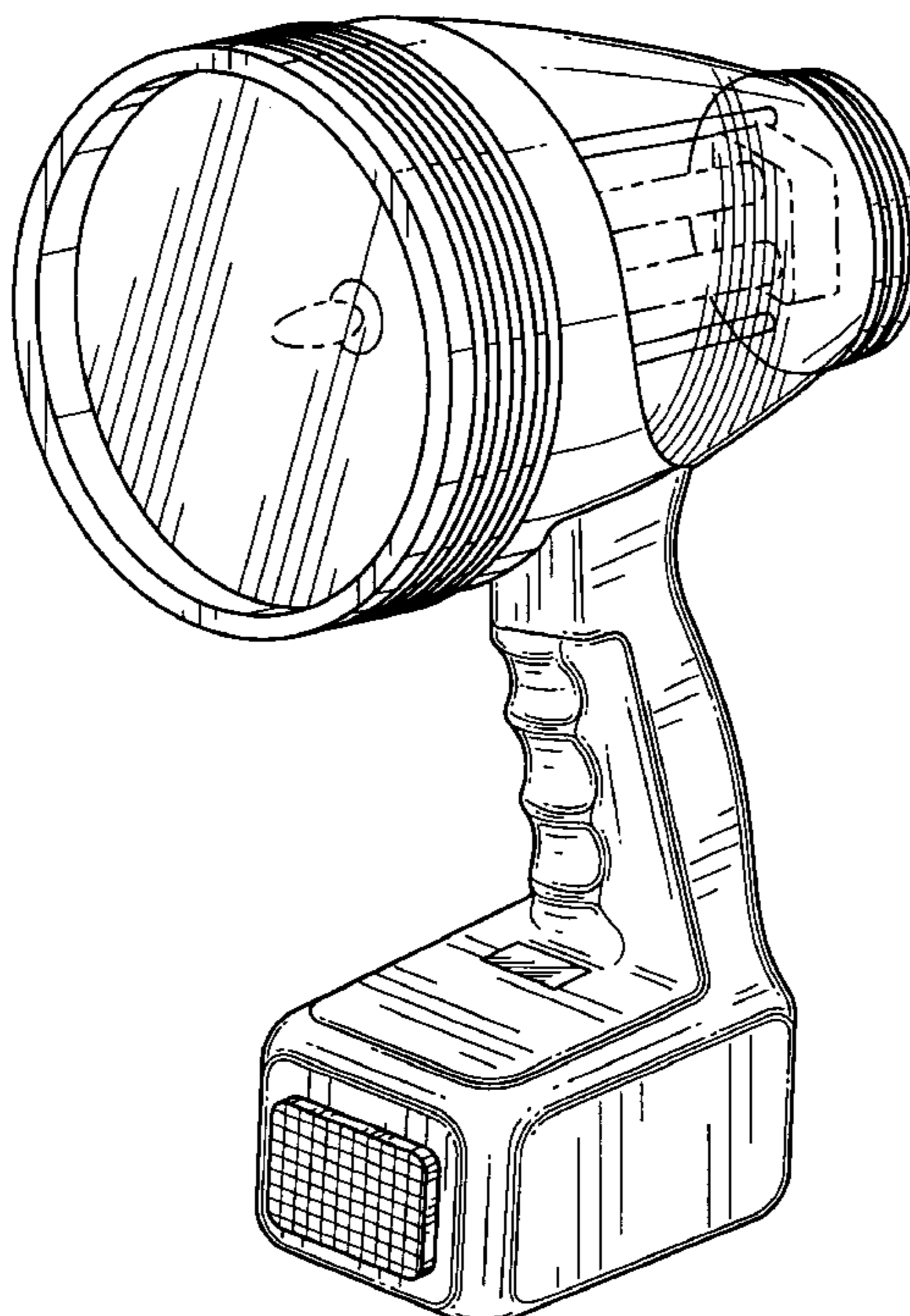
FIG. 13 is a right side elevational view of the spotlight lantern combination shown in FIG. 9;

FIG. 14 is a top elevational view of the spotlight lantern combination shown in FIG. 9;

FIG. 15 is a bottom elevational view of the spotlight lantern combination shown in FIG. 9; and,

FIG. 16 is a perspective view of the spotlight lantern combination shown in FIG. 9 in a secondary position.

1 Claim, 14 Drawing Sheets



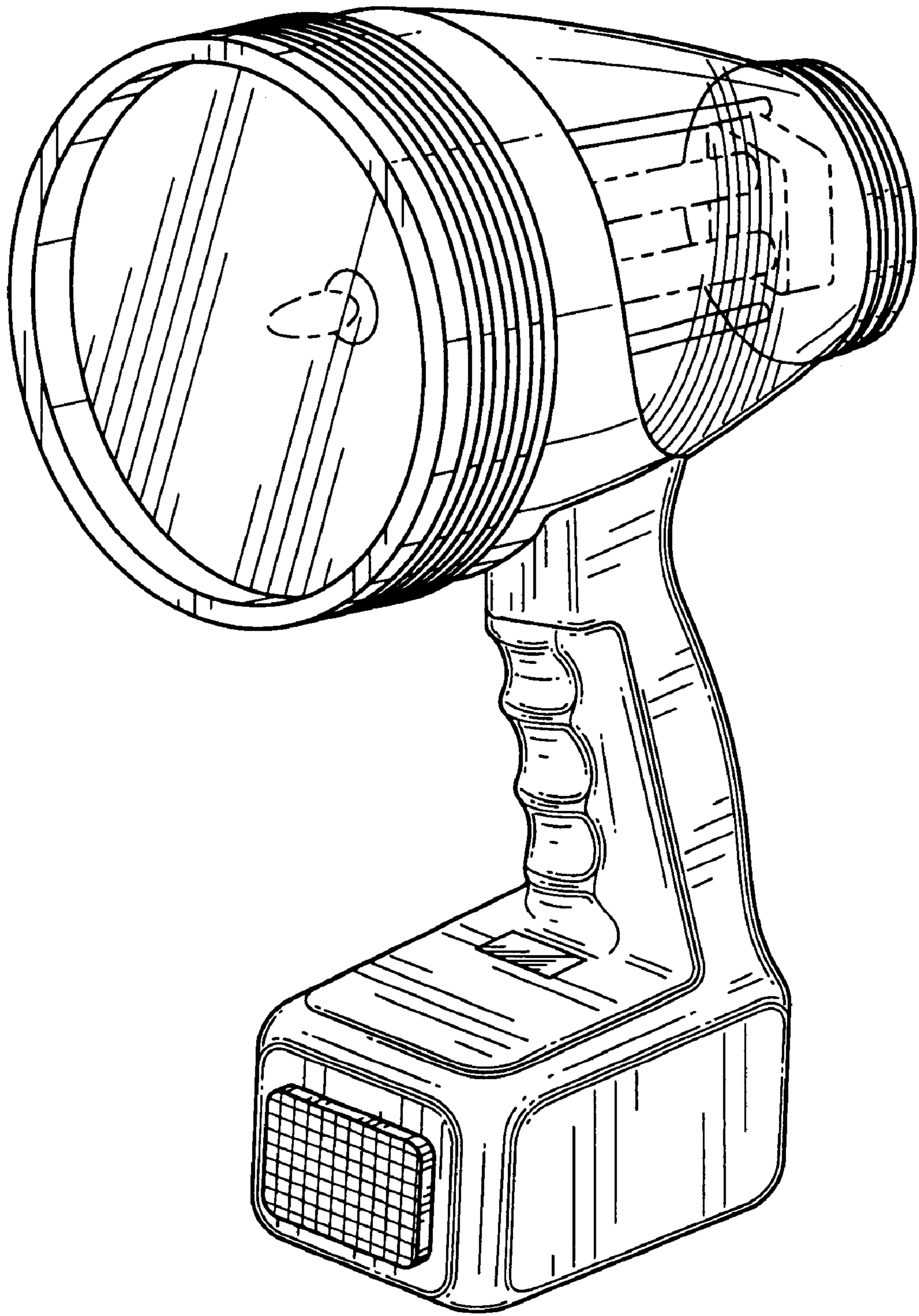


FIG. 1

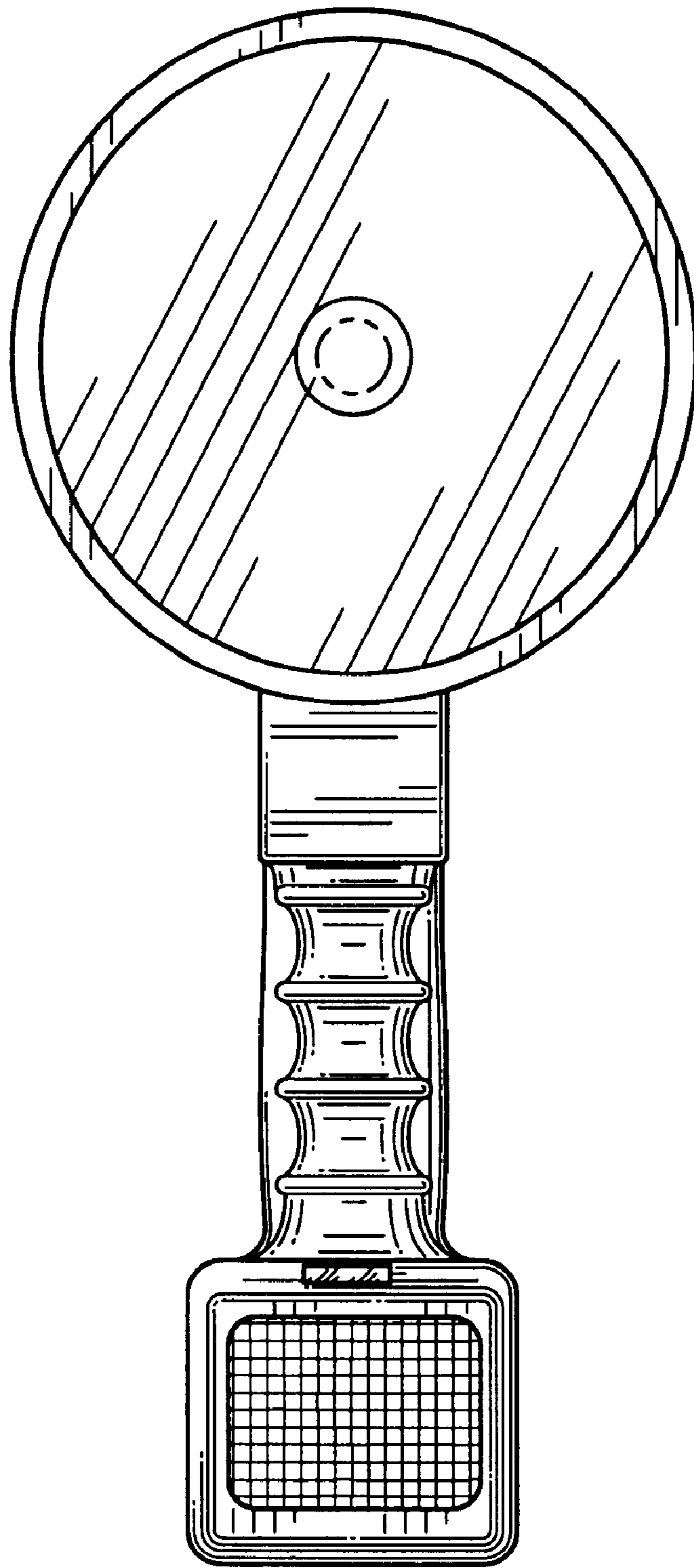


FIG. 2

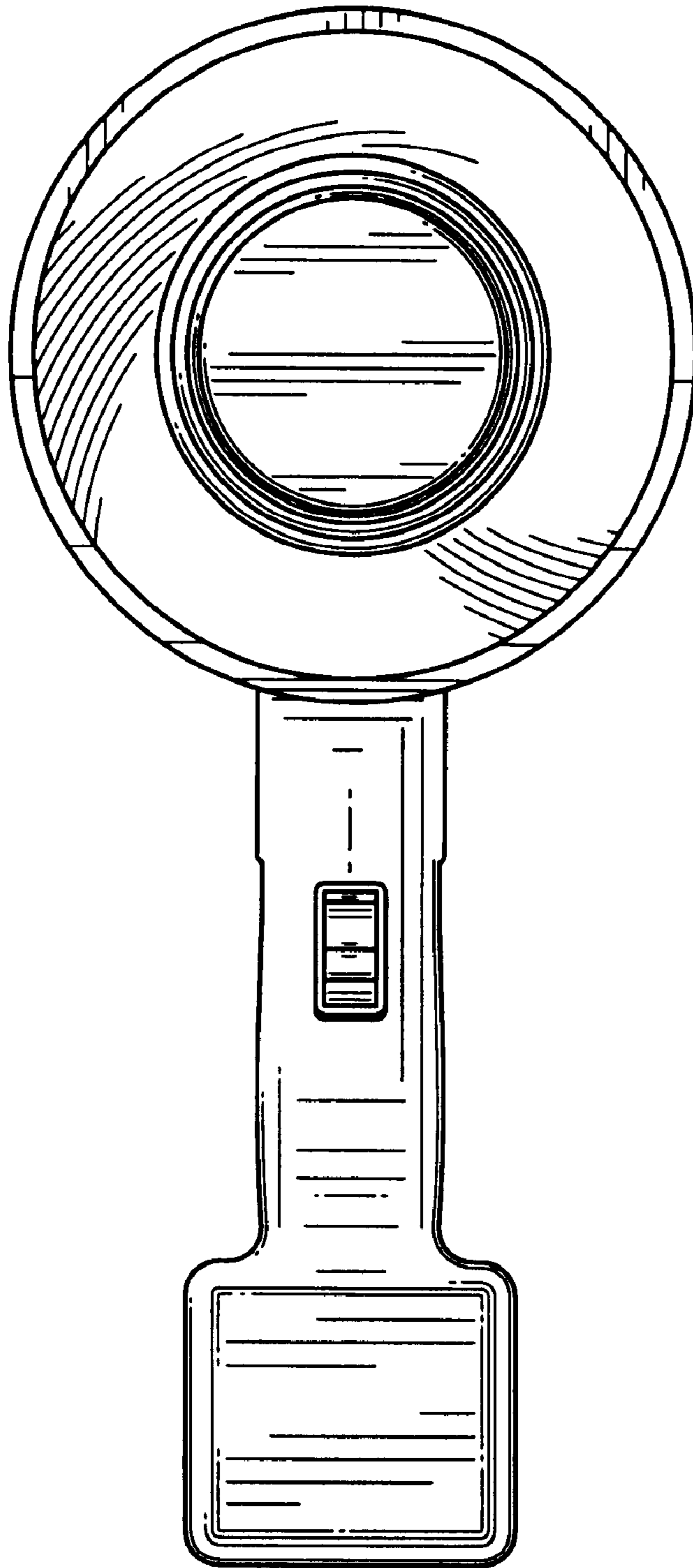


FIG. 3

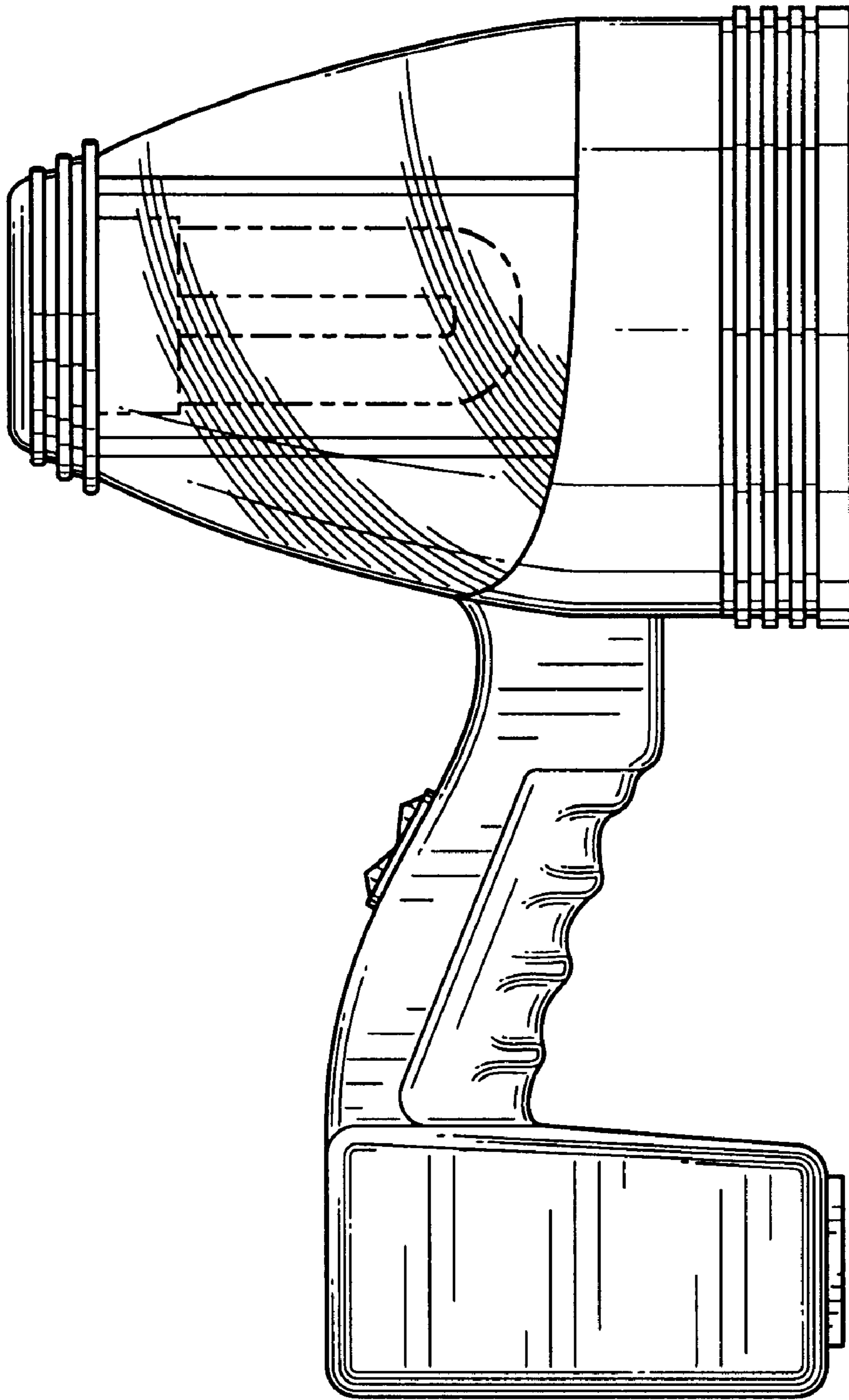


FIG. 4

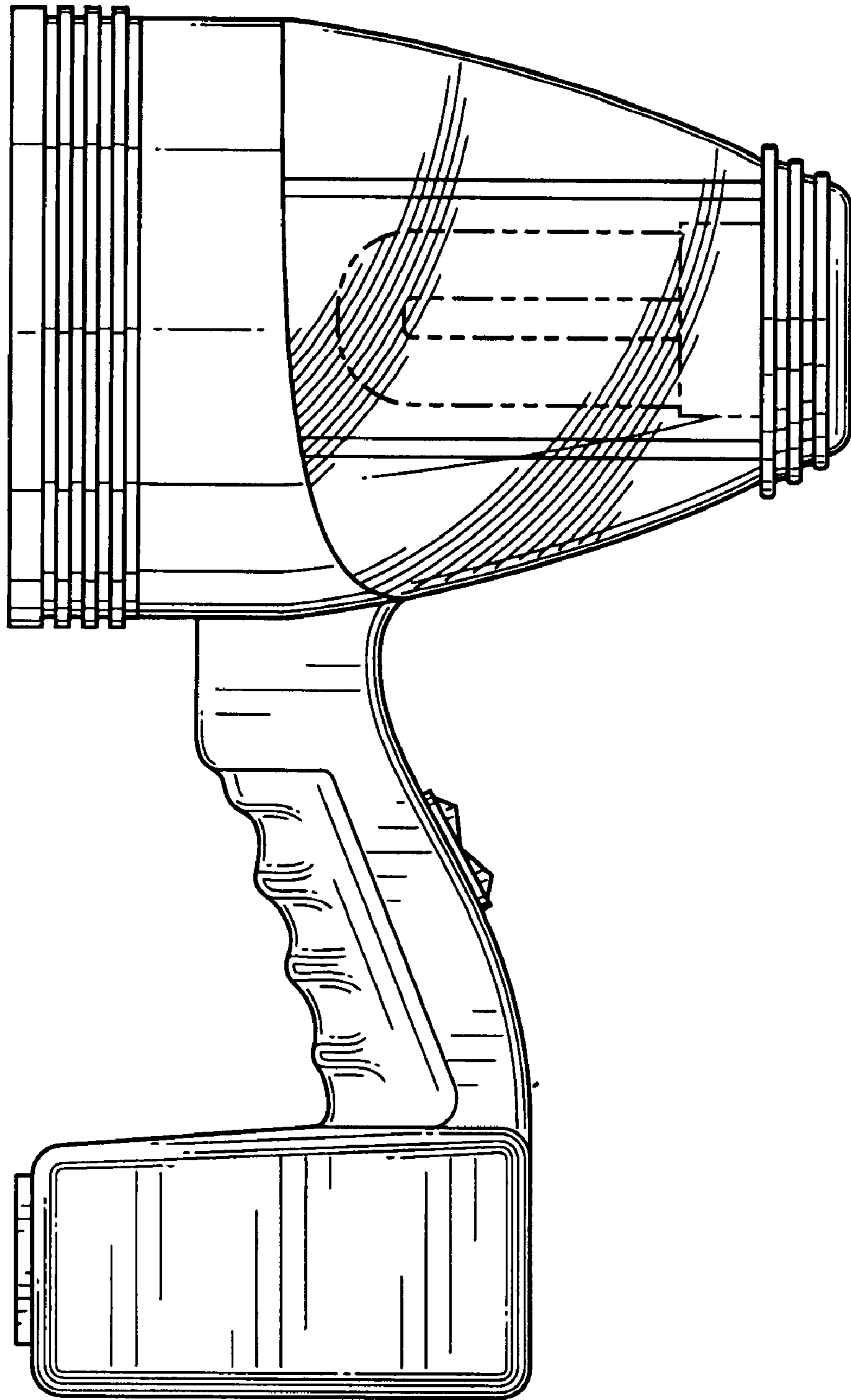


FIG. 5

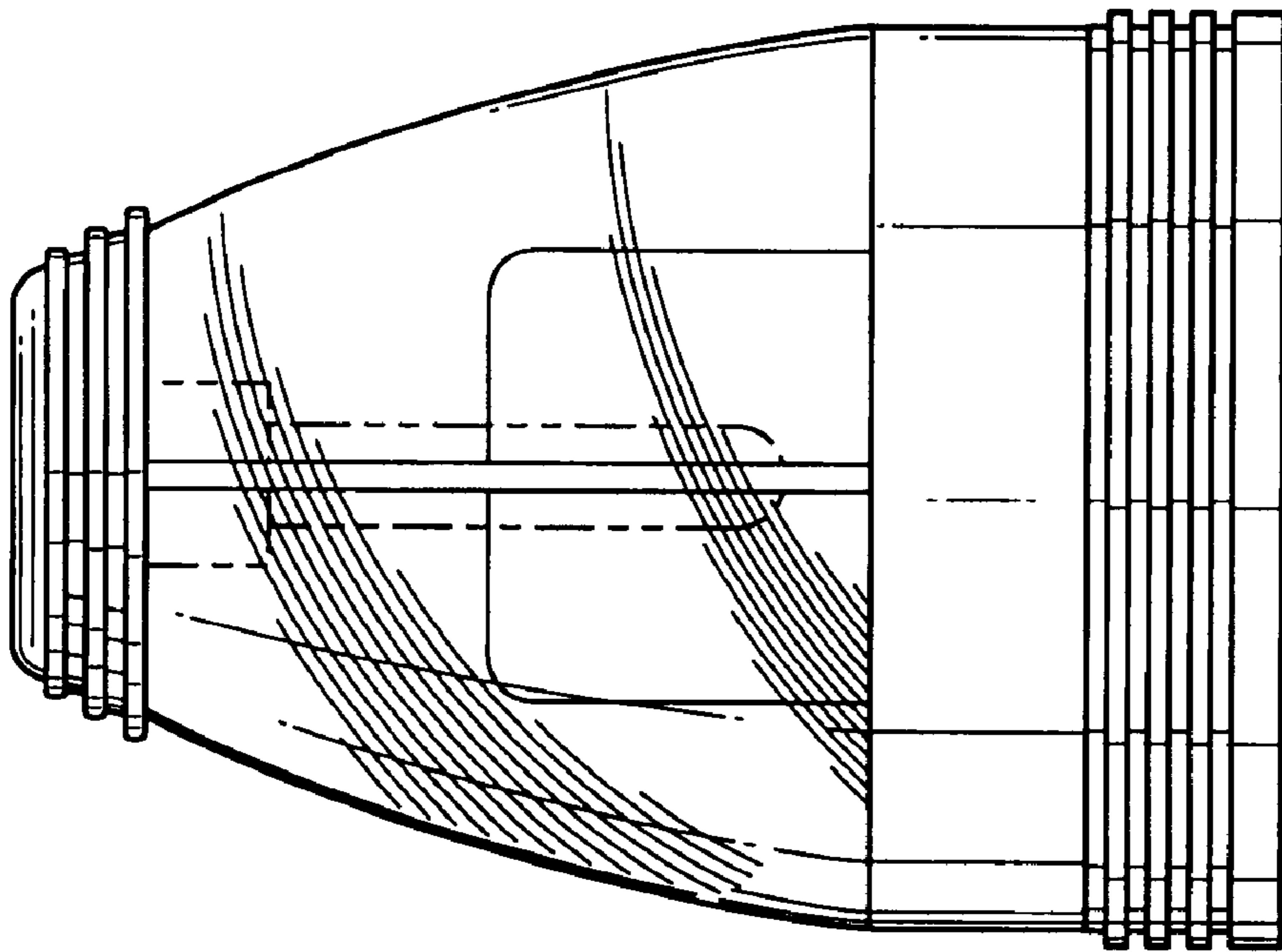


FIG. 6

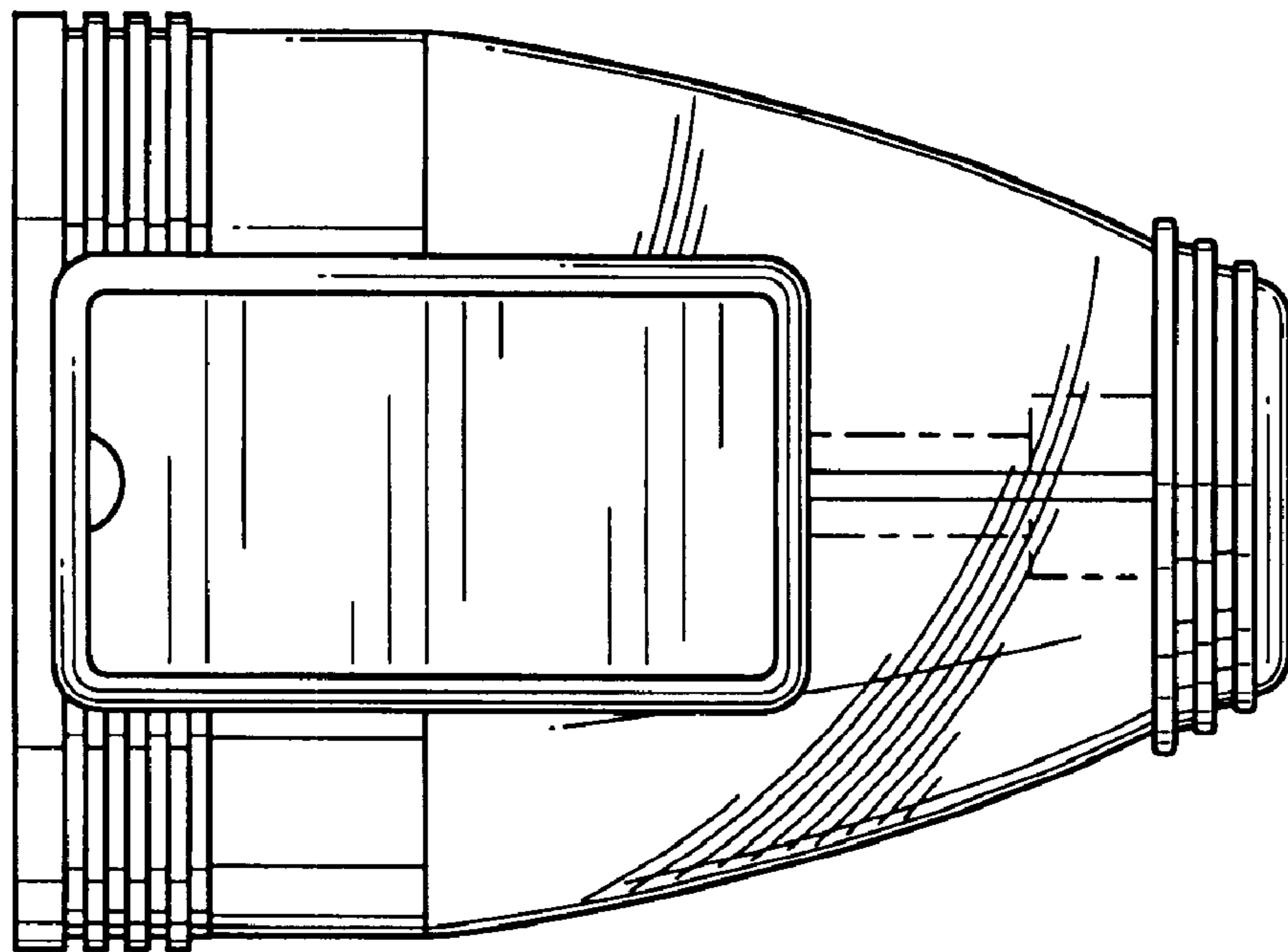


FIG. 7

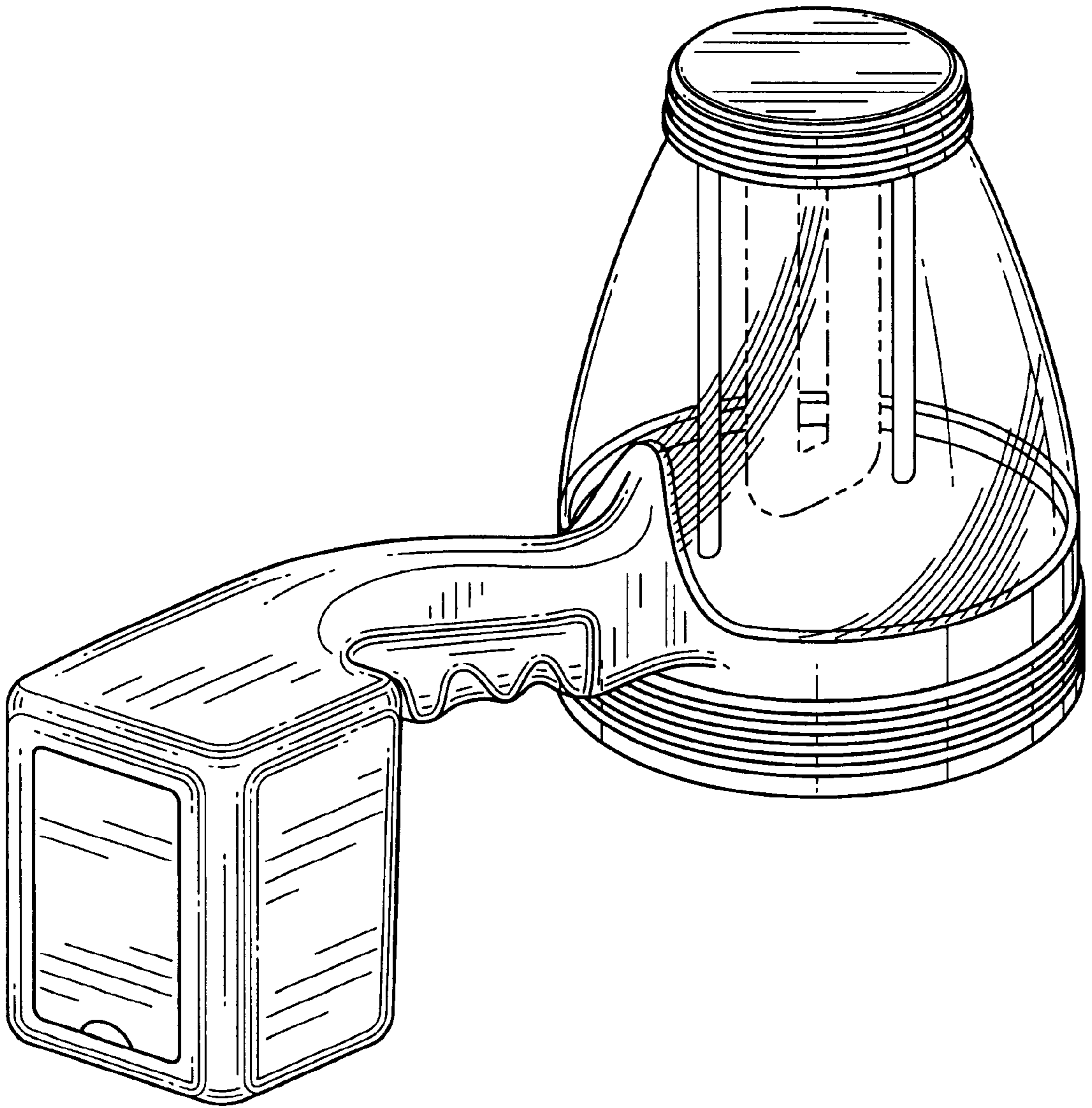


FIG. 8

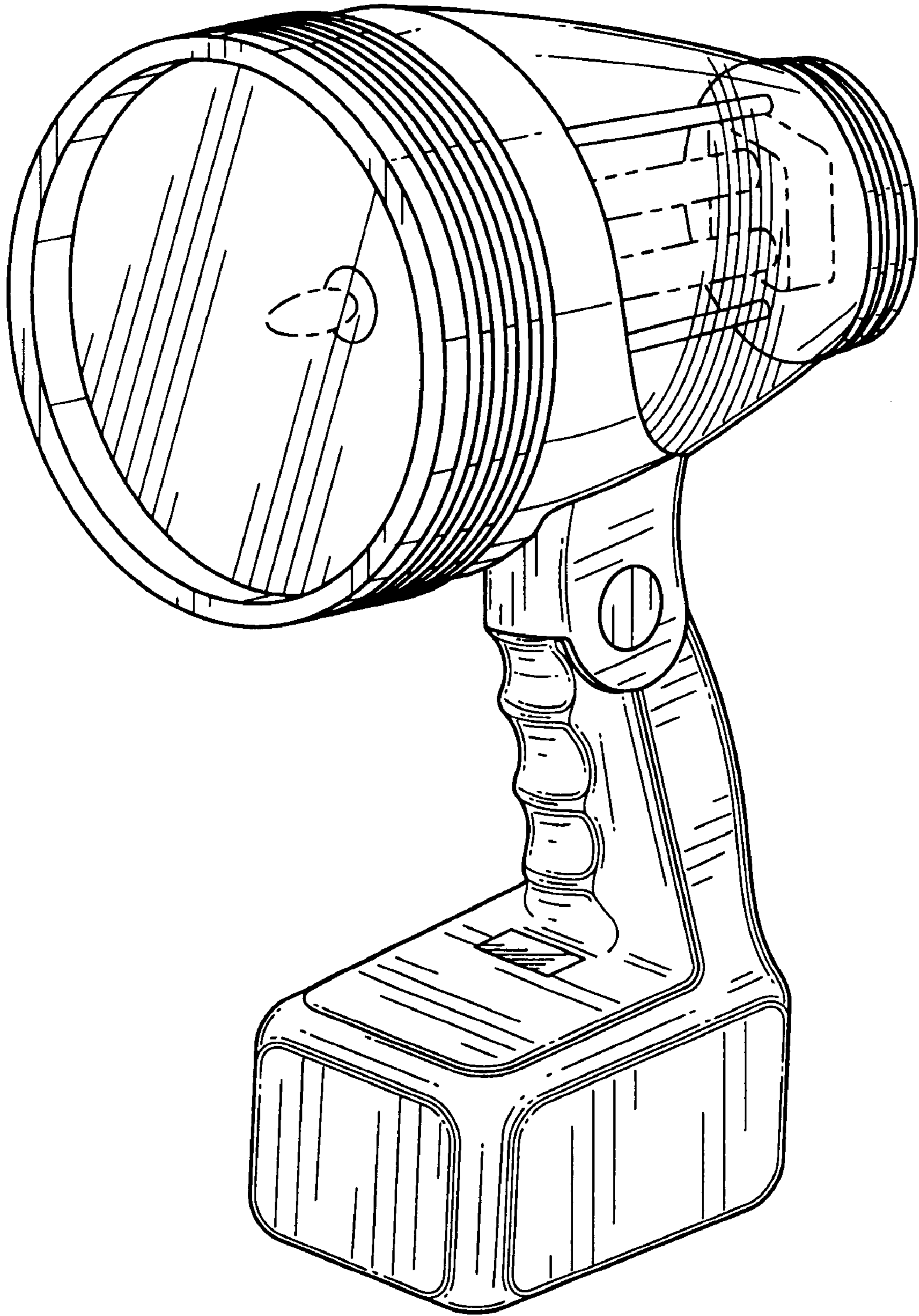


FIG. 9

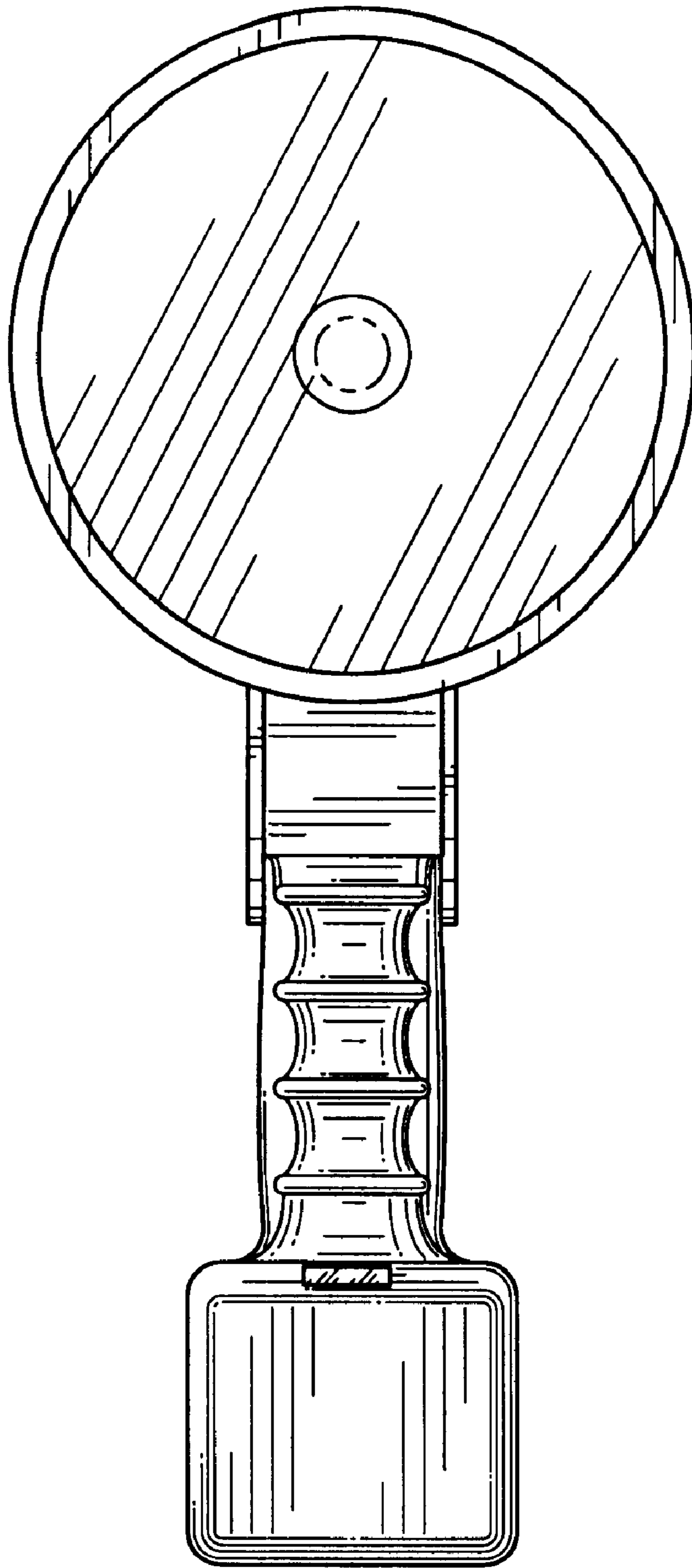


FIG. 10

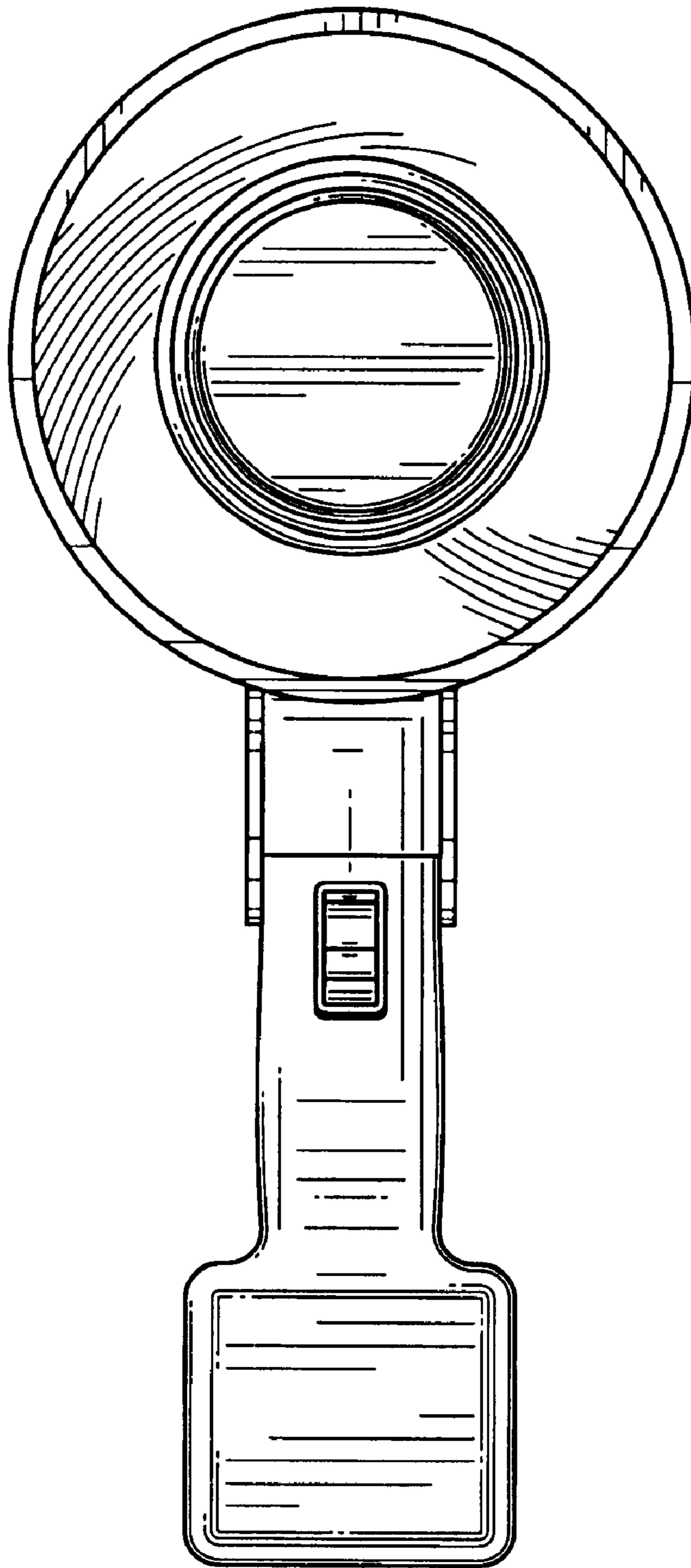


FIG. 11

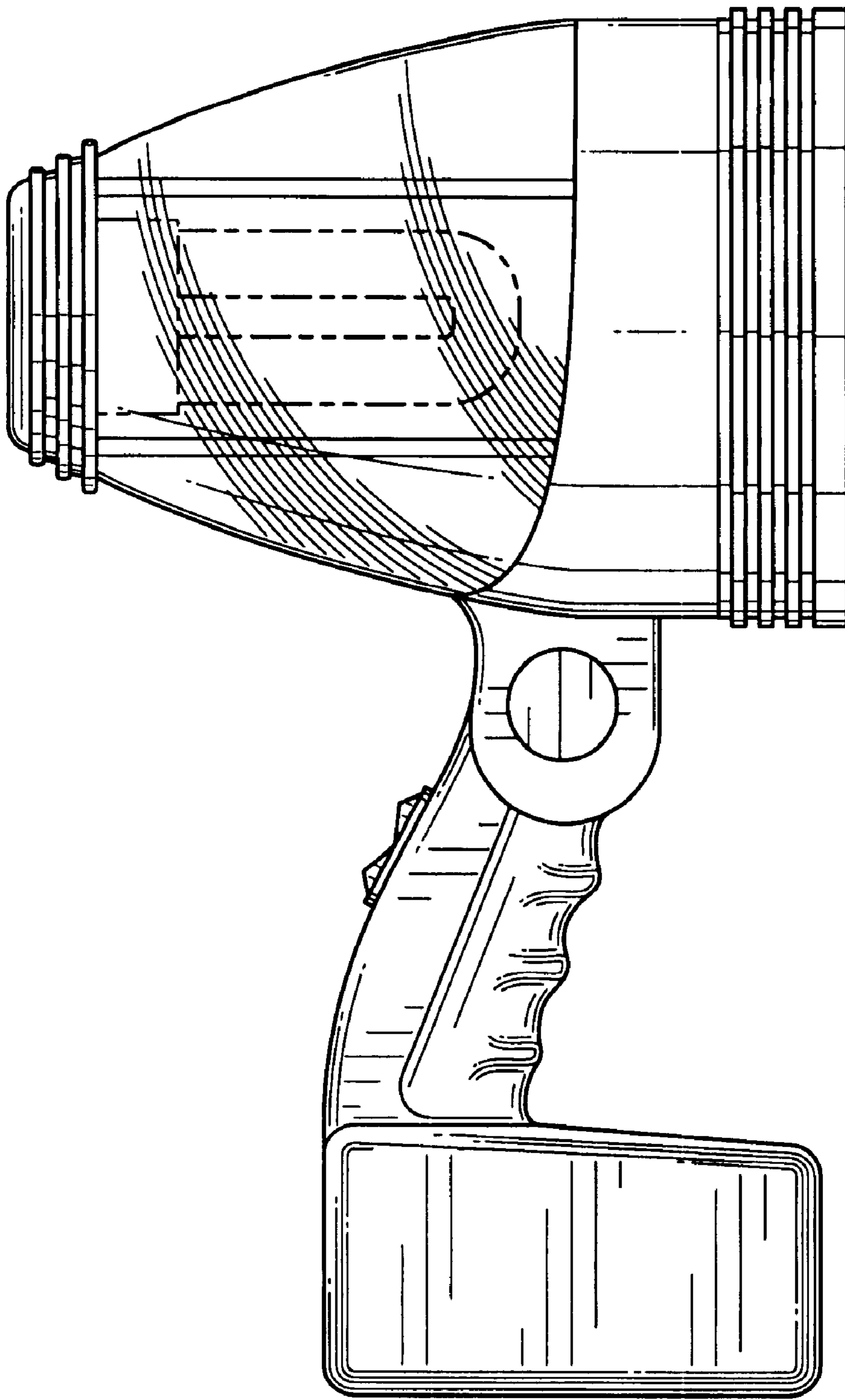


FIG. 12

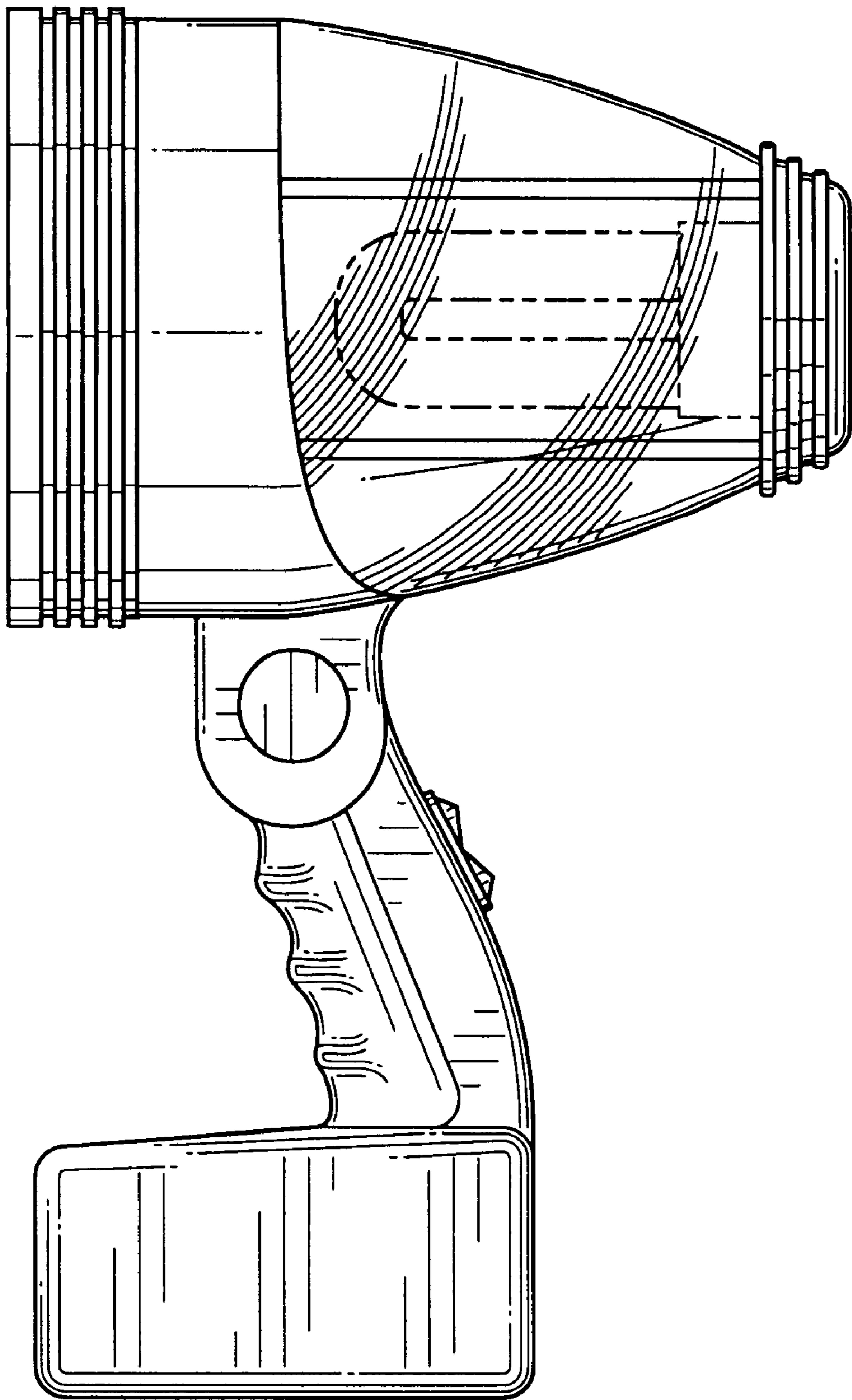


FIG. 13

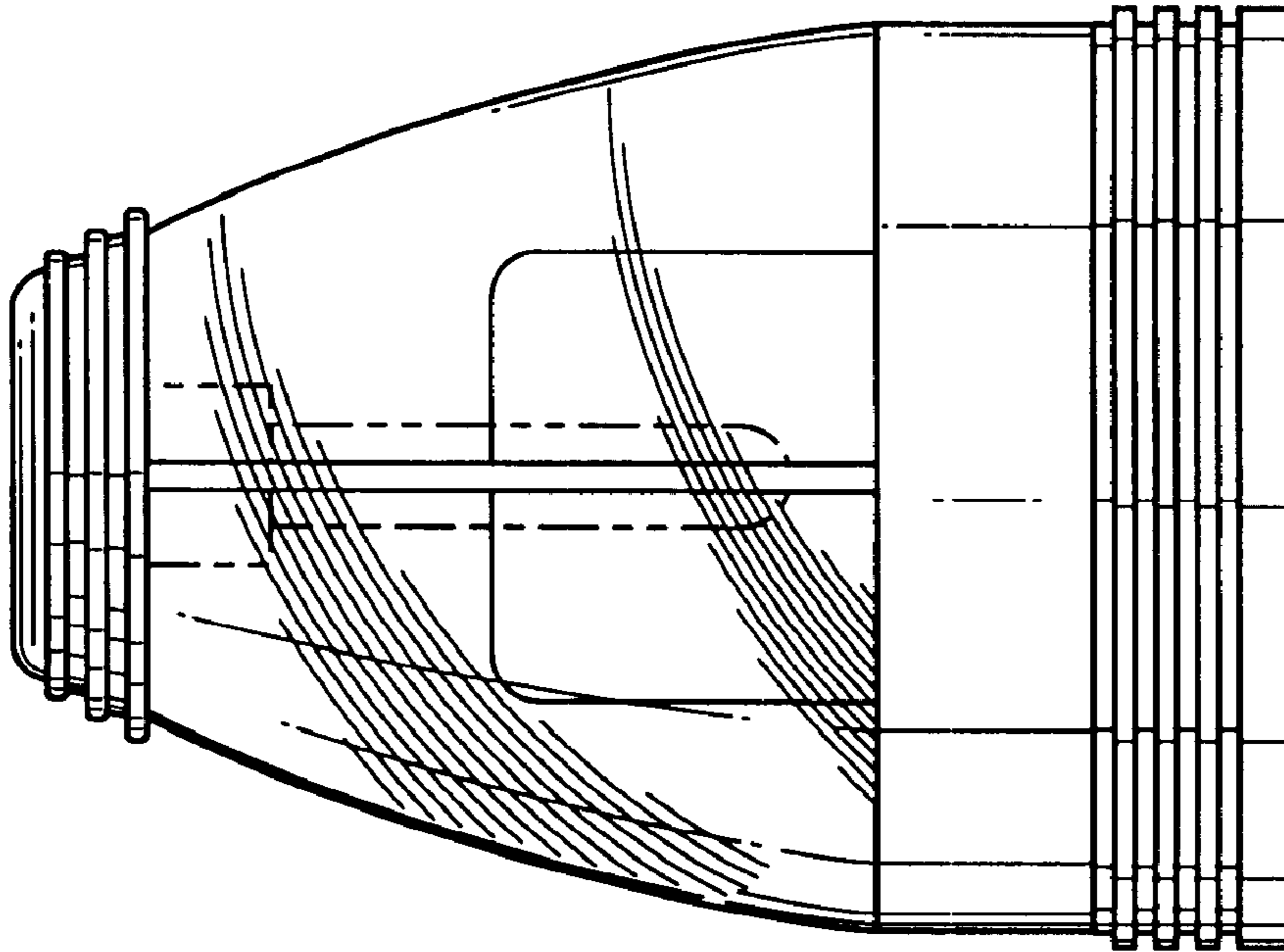


FIG. 14

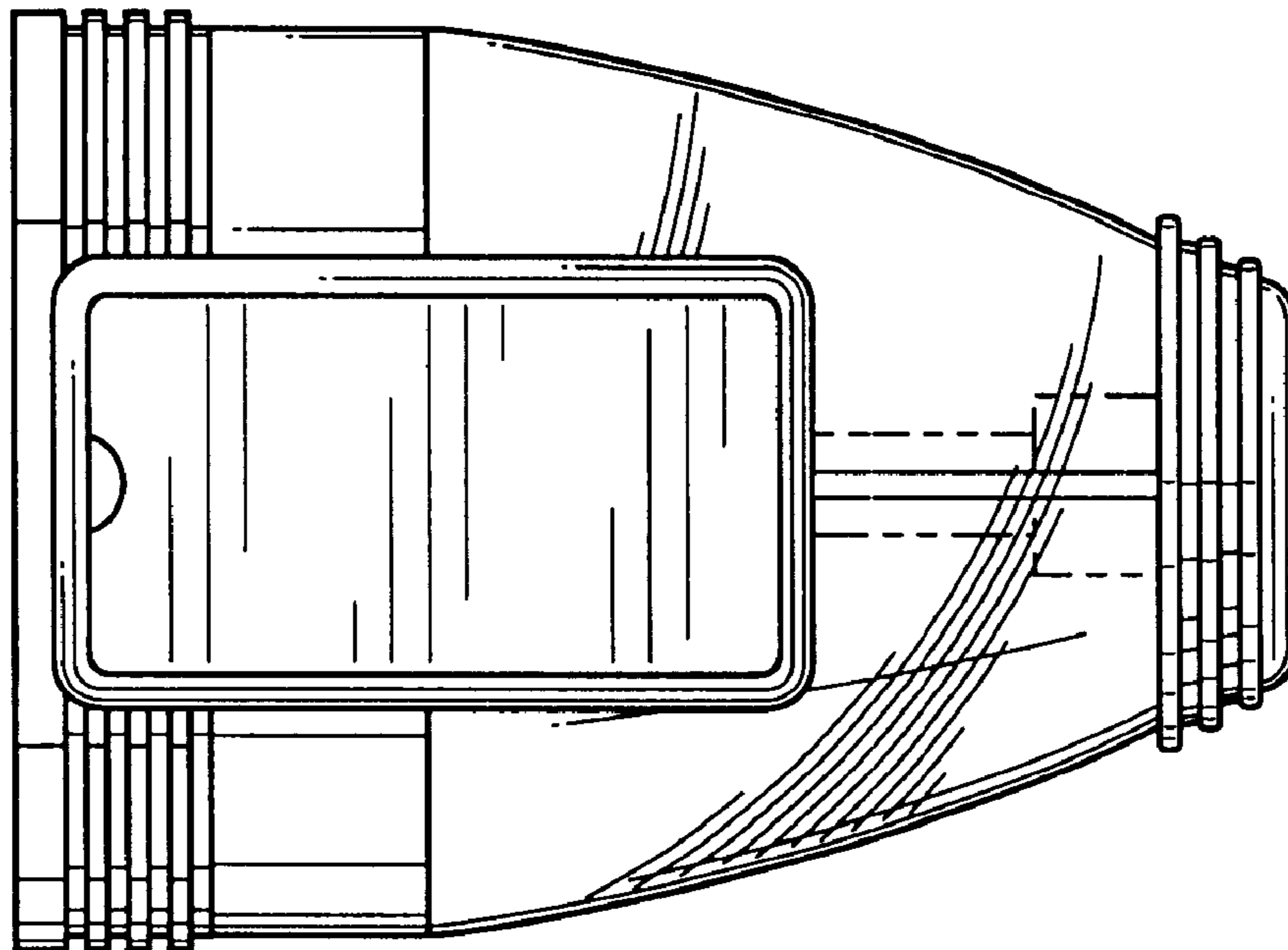


FIG. 15

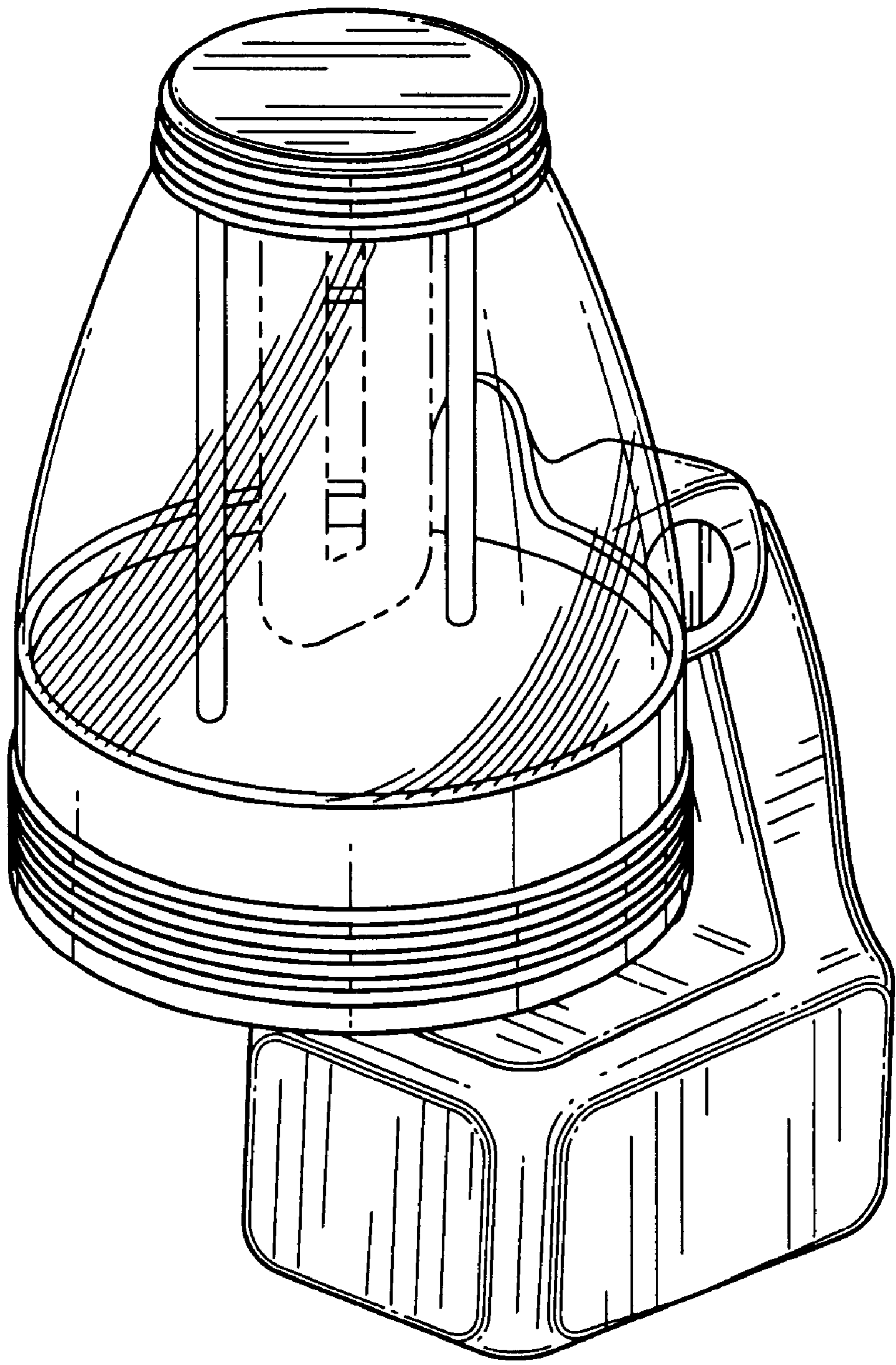


FIG. 16