



US00D432691S

United States Patent [19]

Meoli, Jr.

[11] Patent Number: **Des. 432,691**

[45] Date of Patent: **** Oct. 24, 2000**

[54] **SOLAR POWERED FLUORESCENT LANTERN**

[76] Inventor: **Rudy B. Meoli, Jr.**, 8150 E. Oak Ridge Cir., Anaheim Hills, Calif. 92808

[**] Term: **14 Years**

[21] Appl. No.: **29/105,594**

[22] Filed: **Jun. 1, 1999**

[51] **LOC (7) Cl.** **26-02**

[52] **U.S. Cl.** **D26/42**

[58] **Field of Search** D26/37-50; 362/86, 362/87, 183-208

[56] **References Cited**

U.S. PATENT DOCUMENTS

D. 362,078	9/1995	Sanders	D26/37
D. 397,817	9/1998	Yuen	D26/41
D. 399,016	9/1998	Howard et al.	D26/42
4,751,622	6/1988	Williams	362/183

Primary Examiner—Susan J. Lucas

Attorney, Agent, or Firm—Chris Papageorge

[57] **CLAIM**

The ornamental design for a solar powered fluorescent lantern, substantially as shown and described.

DESCRIPTION

FIG. 1 is a top, front perspective view of a solar powered fluorescent lantern showing my new design.

FIG. 2 is a front elevational view thereof.

FIG. 3 is a rear elevational view thereof with the solar panels folded together.

FIG. 4 is a rear elevational view thereof with the solar panels opened.

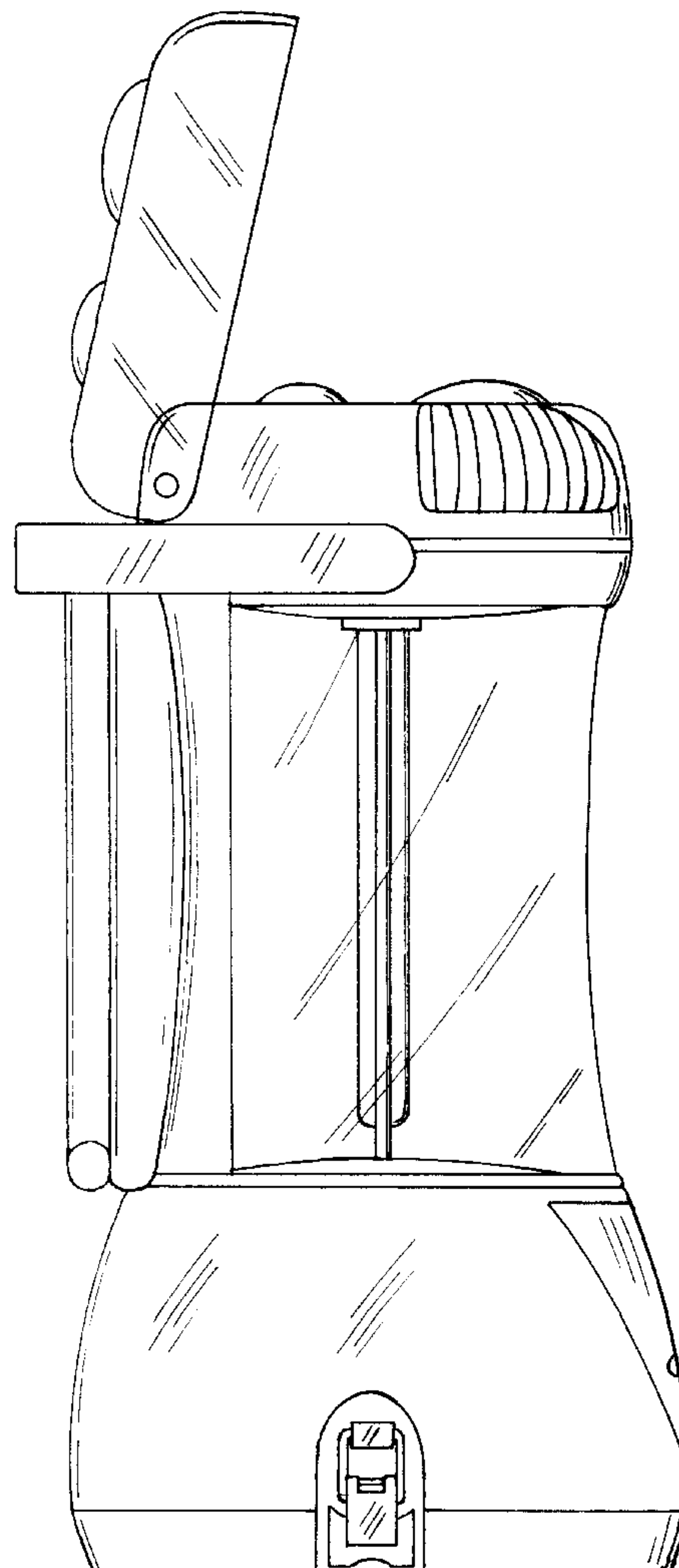
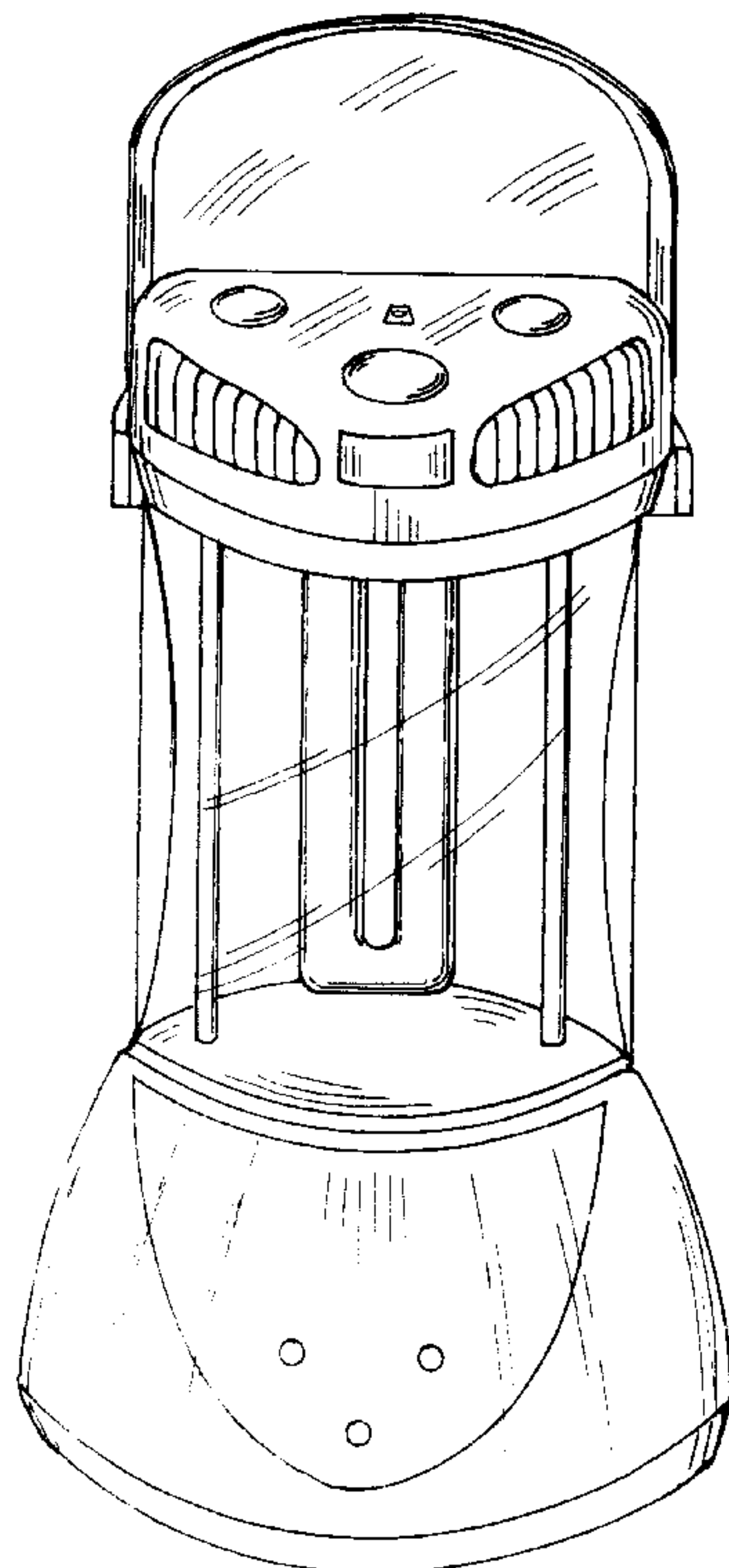
FIG. 5 is a side perspective view thereof with the solar panels folded together and positioned against the main body of the lantern, with the other side being identical thereto.

FIG. 6 is a side perspective view thereof with the solar panels opened and positioned away from the main body of the lantern, with the other side being identical thereto.

FIG. 7 is a top plan view thereof; and,

FIG. 8 is a bottom plan view thereof.

1 Claim, 5 Drawing Sheets



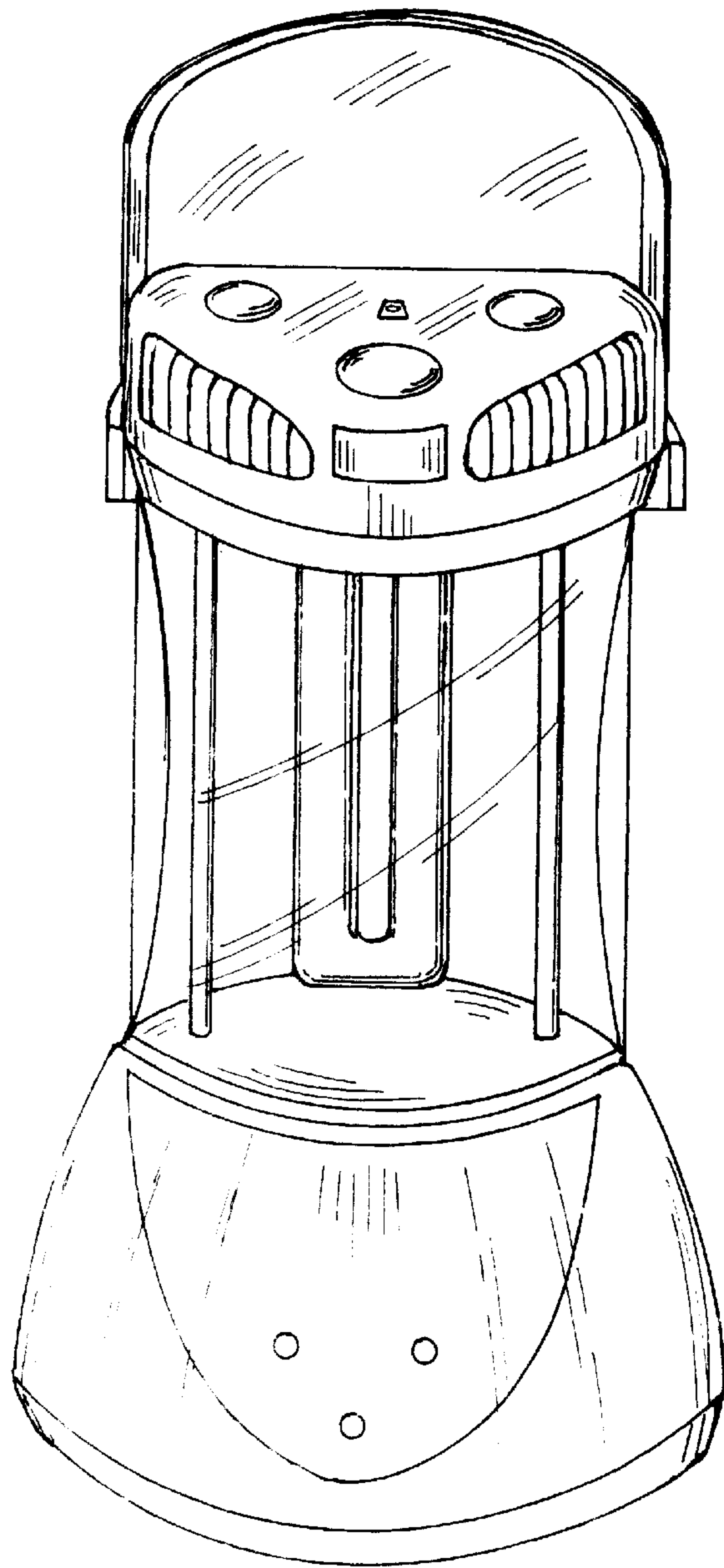


FIG. 1

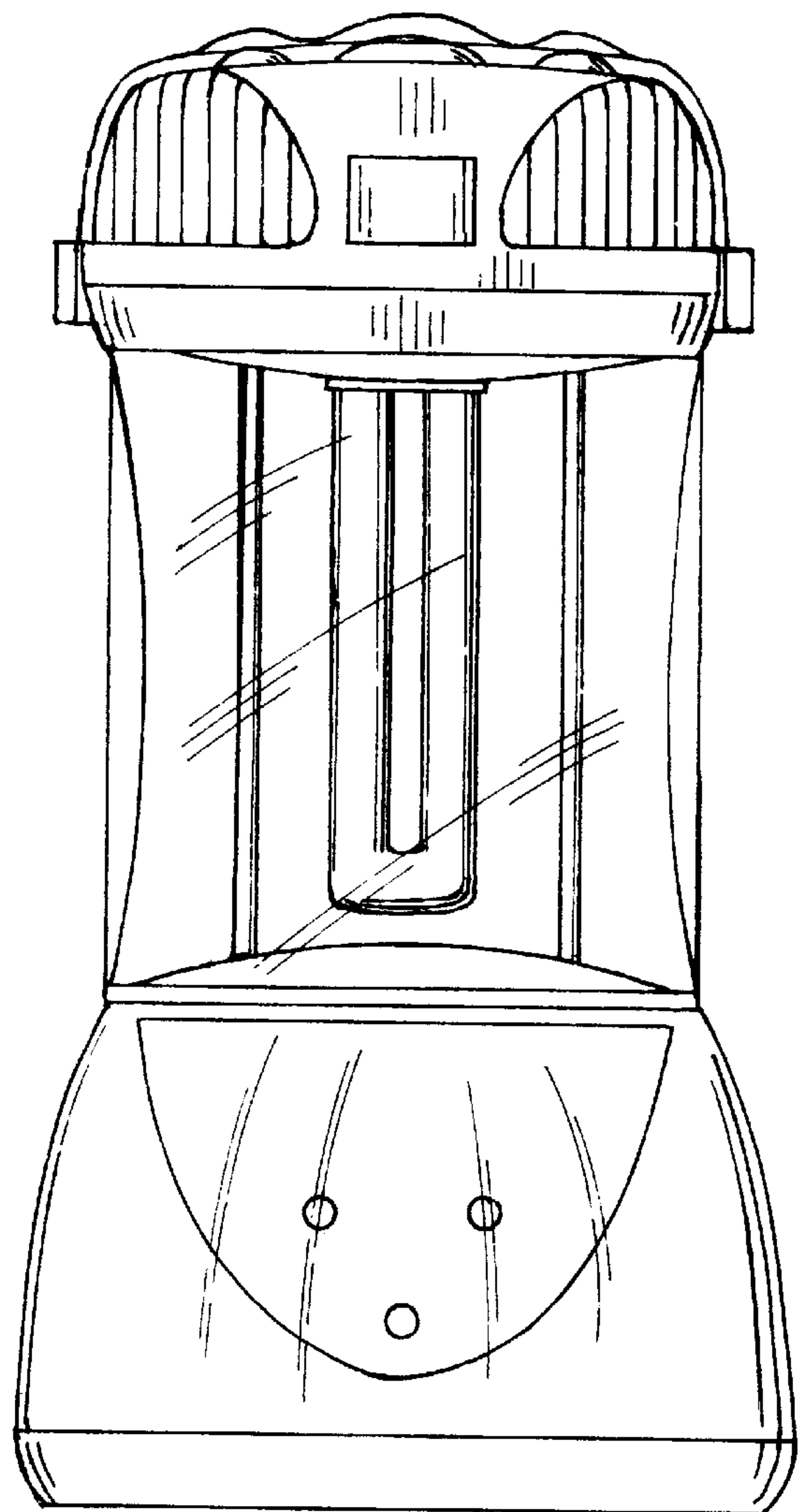


FIG. 2

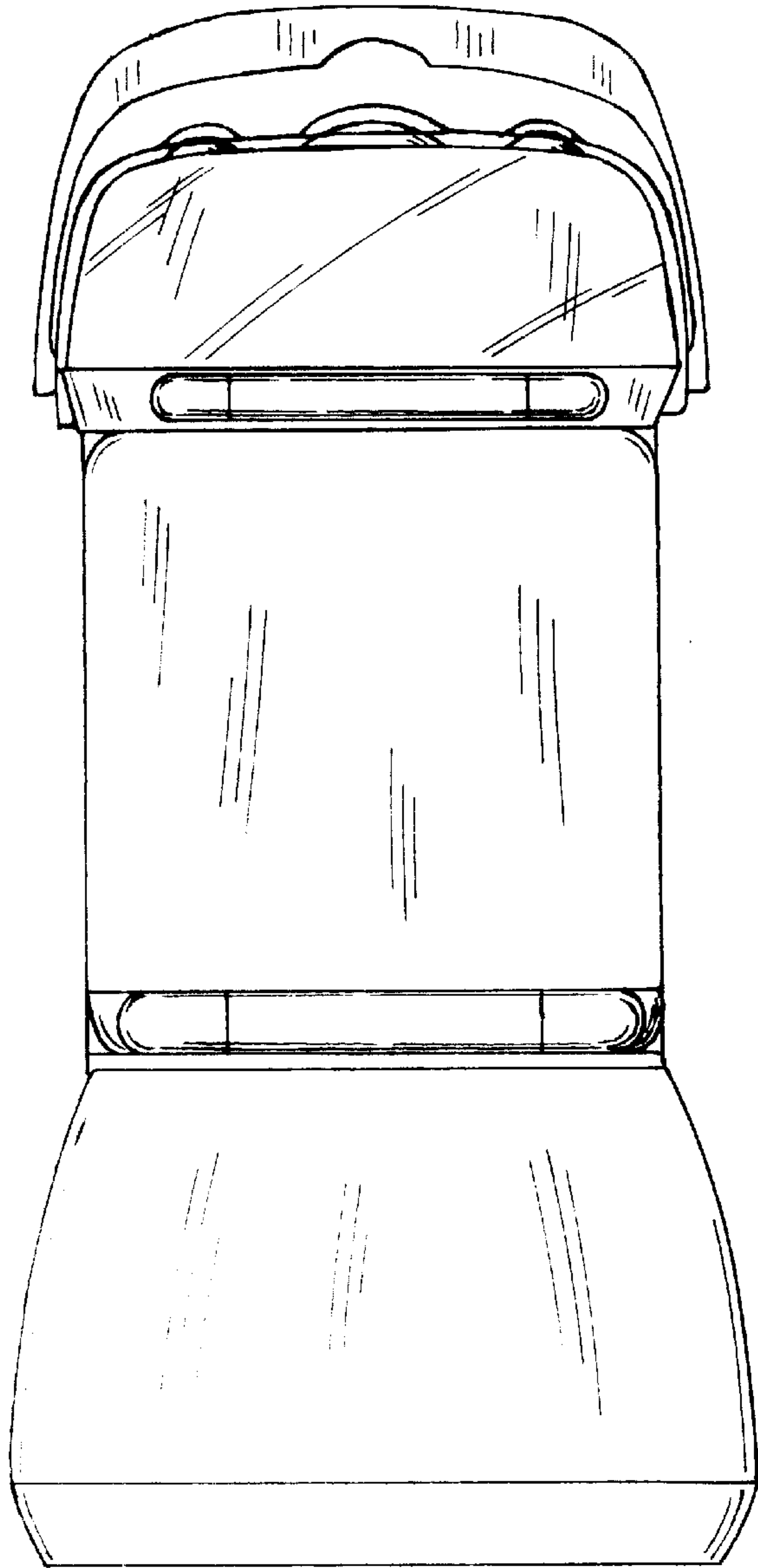
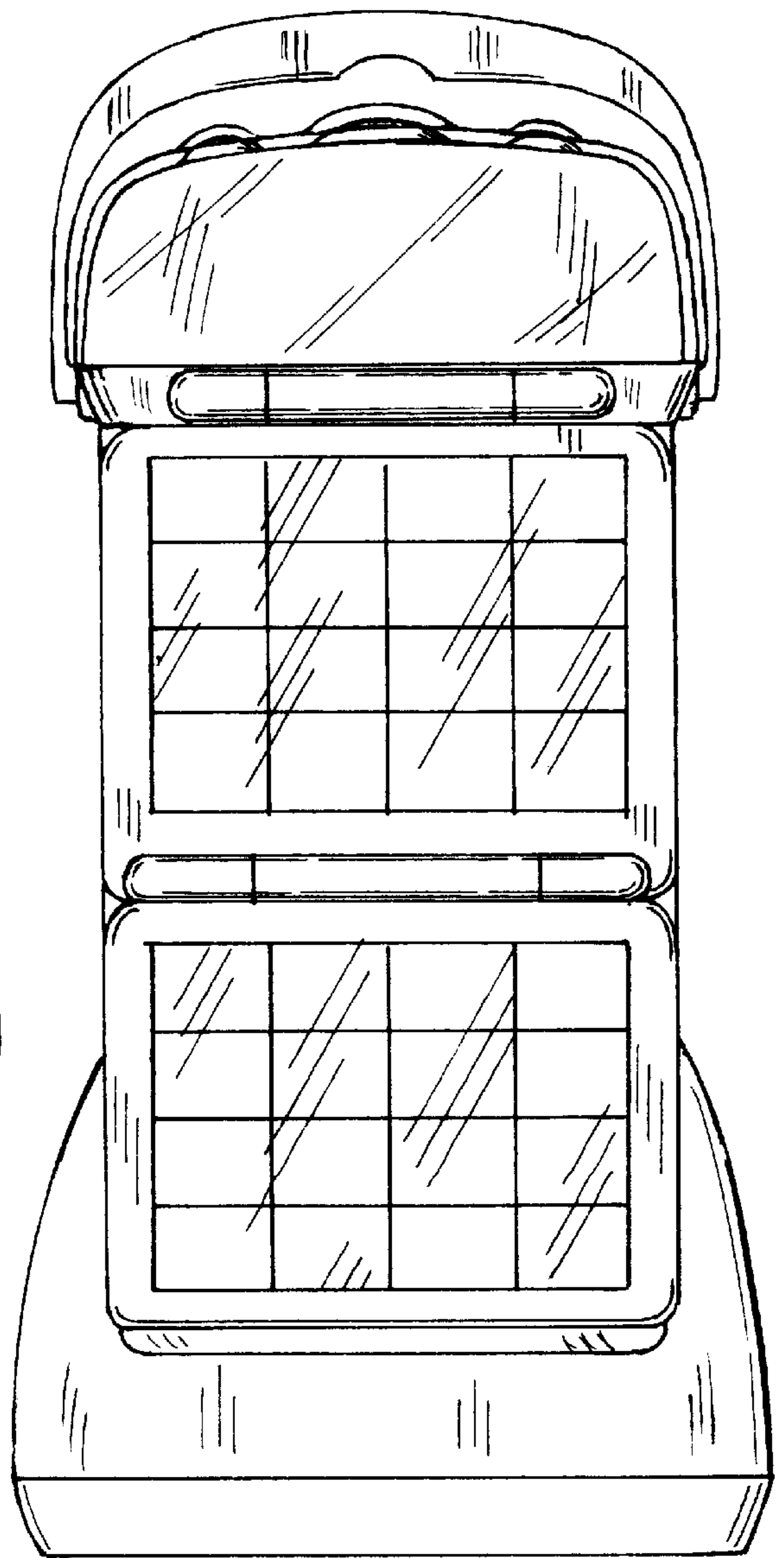
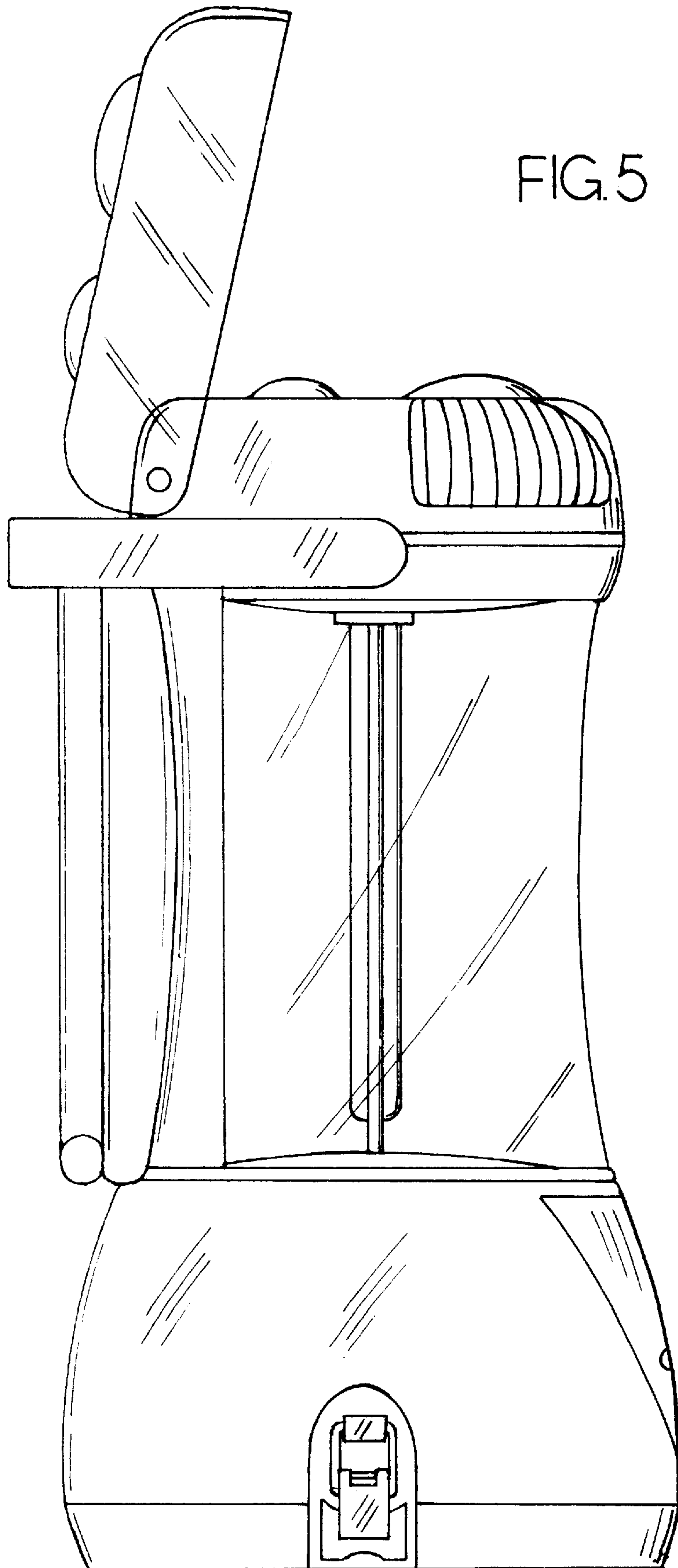


FIG. 3

FIG. 4





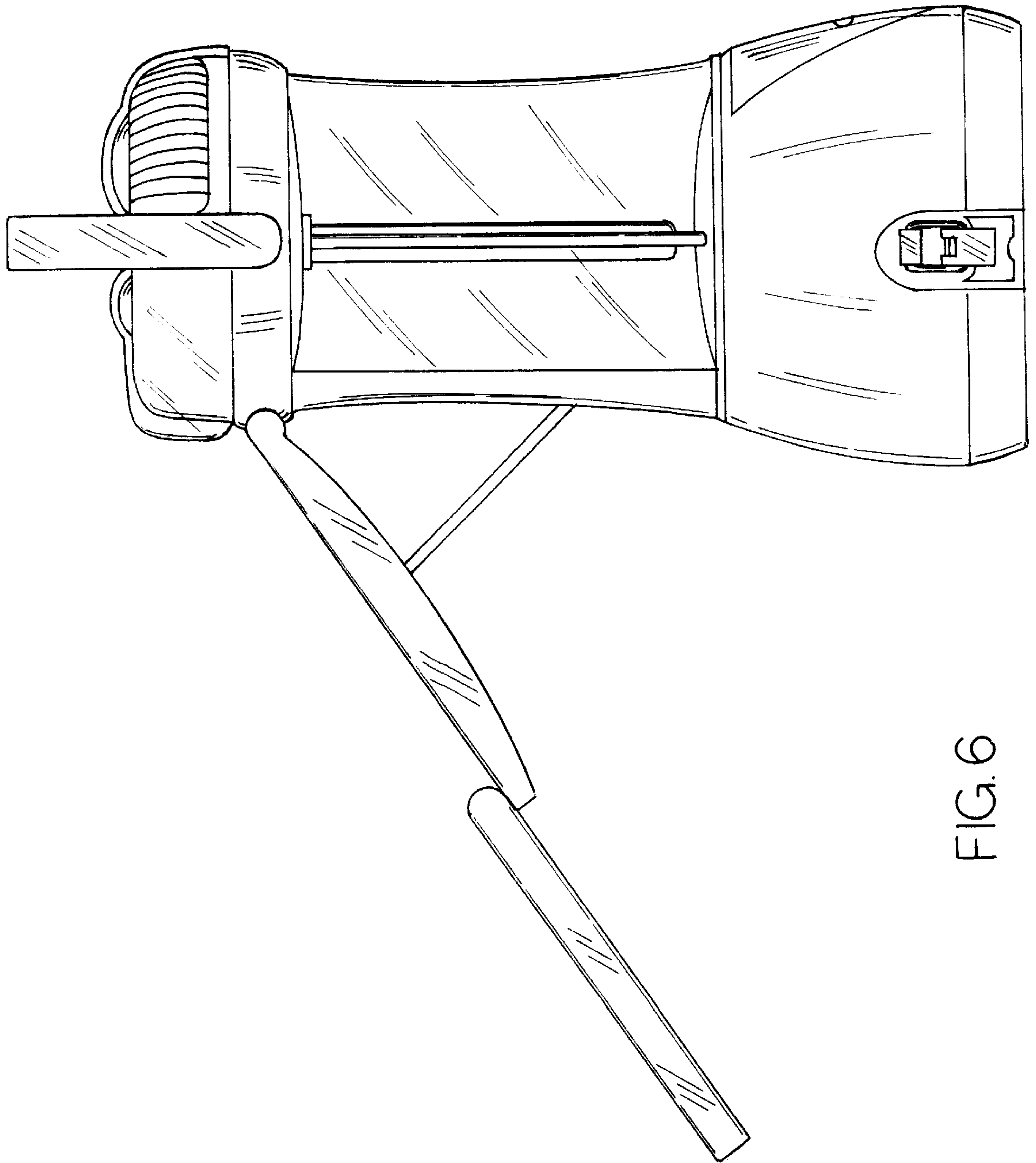


FIG. 6

FIG. 7

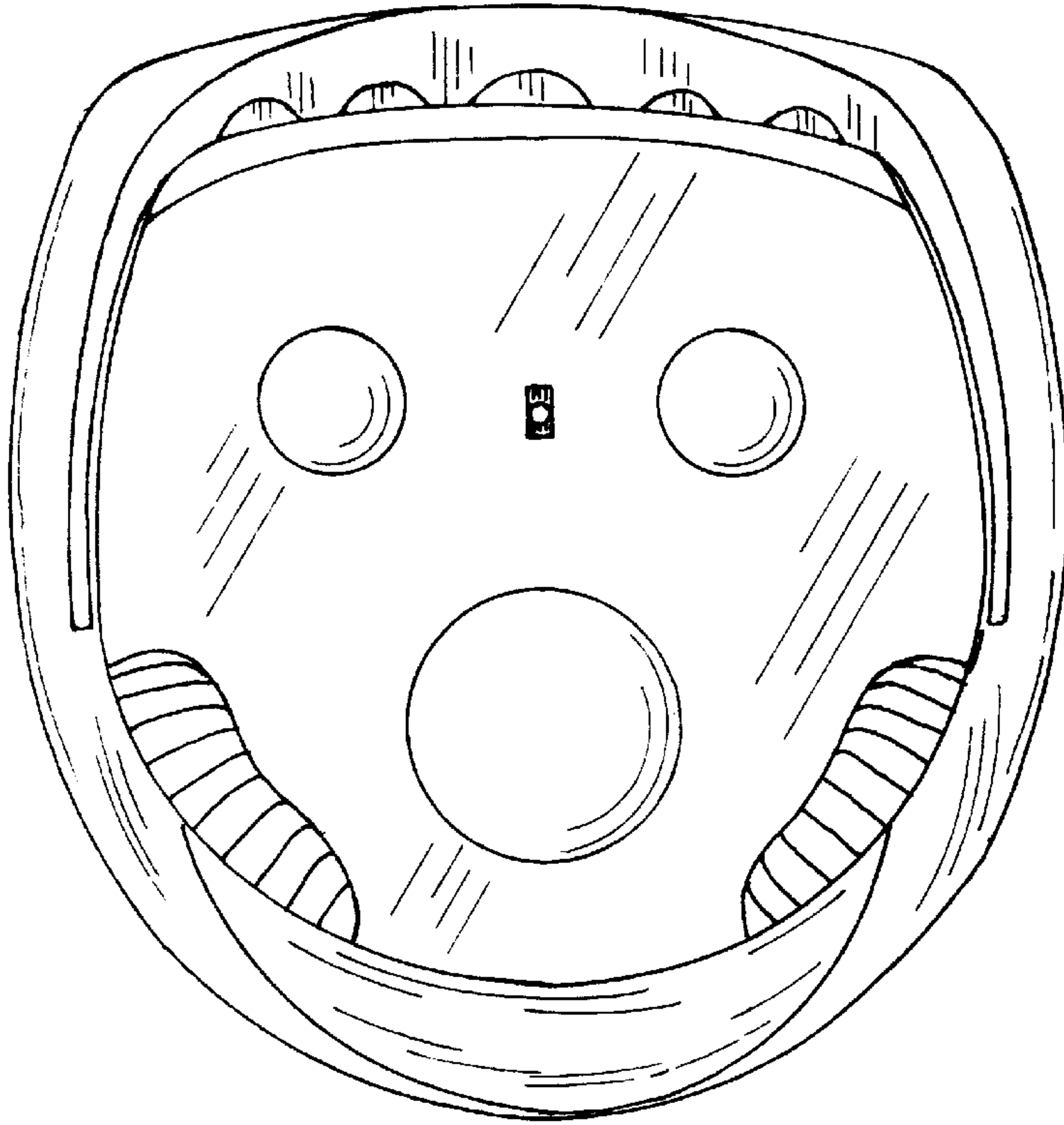


FIG. 8

