



US00D432690S

# United States Patent [19] Yuen

[11] Patent Number: Des. 432,690

[45] Date of Patent: \*\* Oct. 24, 2000

[54] LANTERN

[75] Inventor: **Se Kit Yuen**, Kwun Tong, The Hong Kong Special Administrative Region of the People's Republic of China

[73] Assignee: **John Manufacturing Limited**, Kowloon, The Hong Kong Special Administrative Region of the People's Republic of China

[\*\*] Term: **14 Years**

[21] Appl. No.: **29/114,884**

[22] Filed: **Dec. 1, 1999**

[30] **Foreign Application Priority Data**

Sep. 16, 1999 [GB] United Kingdom ..... 2086713

[51] **LOC (7) Cl.** ..... **26-02**

[52] **U.S. Cl.** ..... **D26/41**

[58] **Field of Search** ..... D26/37-50; 362/157, 362/158, 183-208

[56] **References Cited**

**U.S. PATENT DOCUMENTS**

- D. 257,540 11/1980 Yip .
- D. 263,506 3/1982 Chan ..... D26/41
- D. 321,264 10/1991 Yuen .
- D. 335,715 5/1993 Wan .
- D. 336,532 6/1993 Chi-Wing .

- D. 345,811 4/1994 Van Deursen et al. .... D26/46
- D. 350,752 9/1994 Yuen .
- D. 356,649 3/1995 Yuen .
- D. 361,636 8/1995 Poon .
- D. 364,936 12/1995 Leung .
- D. 371,356 7/1996 Maruyama .
- D. 376,864 12/1996 Yuen .
- D. 382,876 8/1997 Yuen .
- D. 409,320 5/1999 Yuen .

**FOREIGN PATENT DOCUMENTS**

- 2082983 of 1999 United Kingdom .
- 2082886 9/1999 United Kingdom .

*Primary Examiner*—Marcus A. Jackson  
*Attorney, Agent, or Firm*—Merchant & Gould P.C.

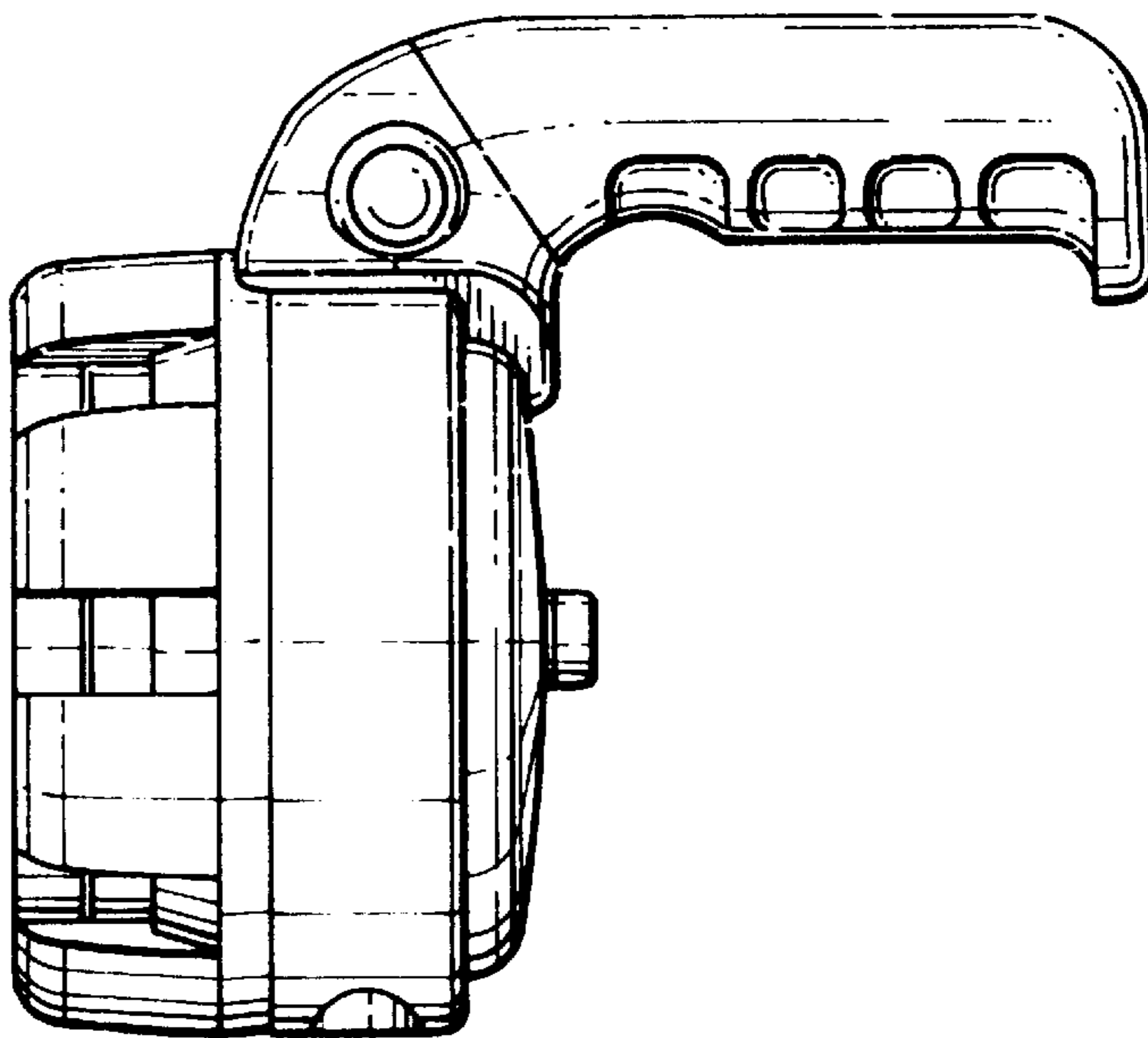
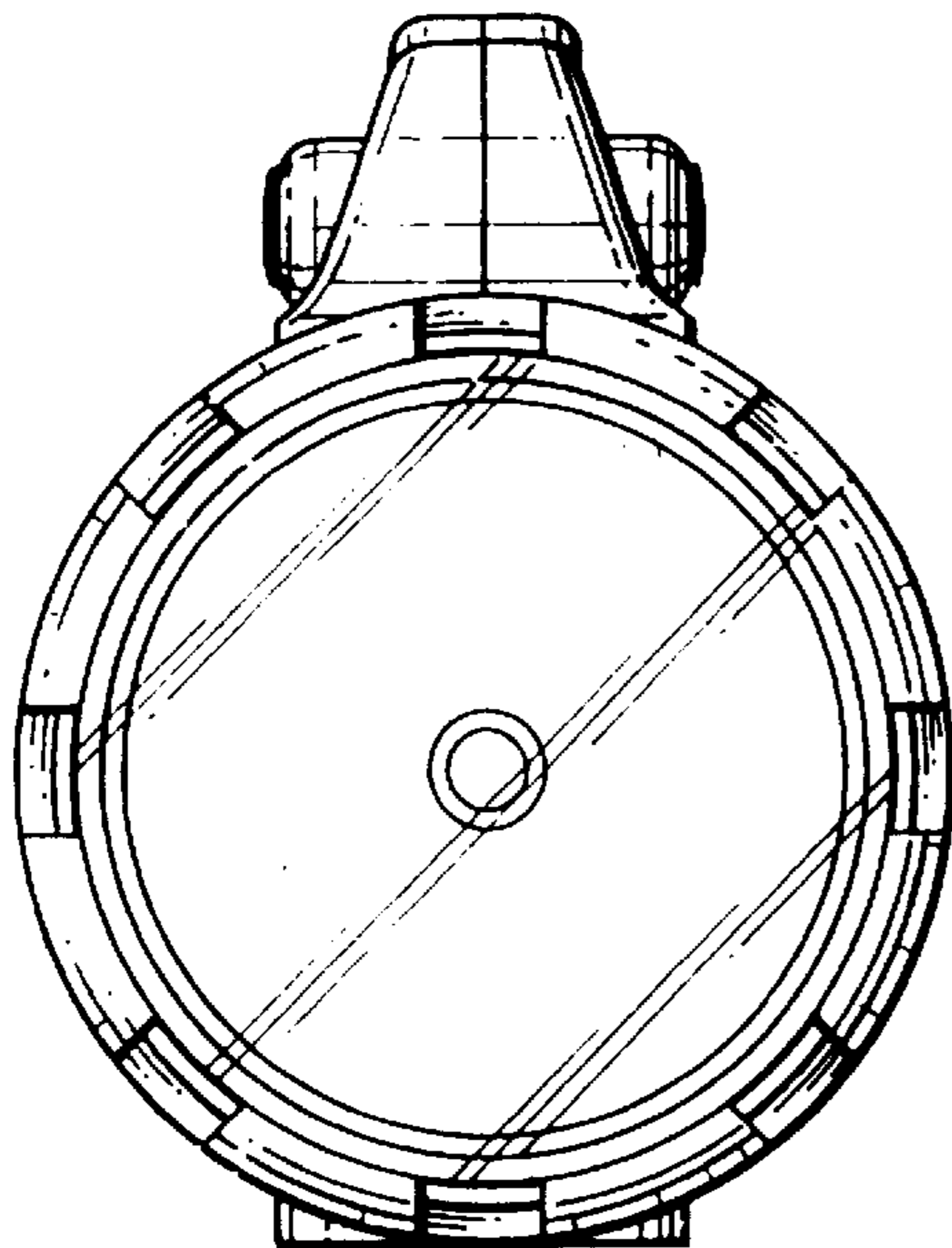
[57] **CLAIM**

The ornamental design for a lantern, as shown and described.

**DESCRIPTION**

FIG. 1 is a front plan view of an embodiment of a lantern showing my new design;  
FIG. 2 is a rear plan view thereof;  
FIG. 3 is a left side plan view thereof;  
FIG. 4 is a right side plan view thereof;  
FIG. 5 is a top plan view thereof;  
FIG. 6 is bottom plan view thereof; and,  
FIG. 7 is a figure similar to that shown in FIG. 4 in an alternative position.

**1 Claim, 3 Drawing Sheets**



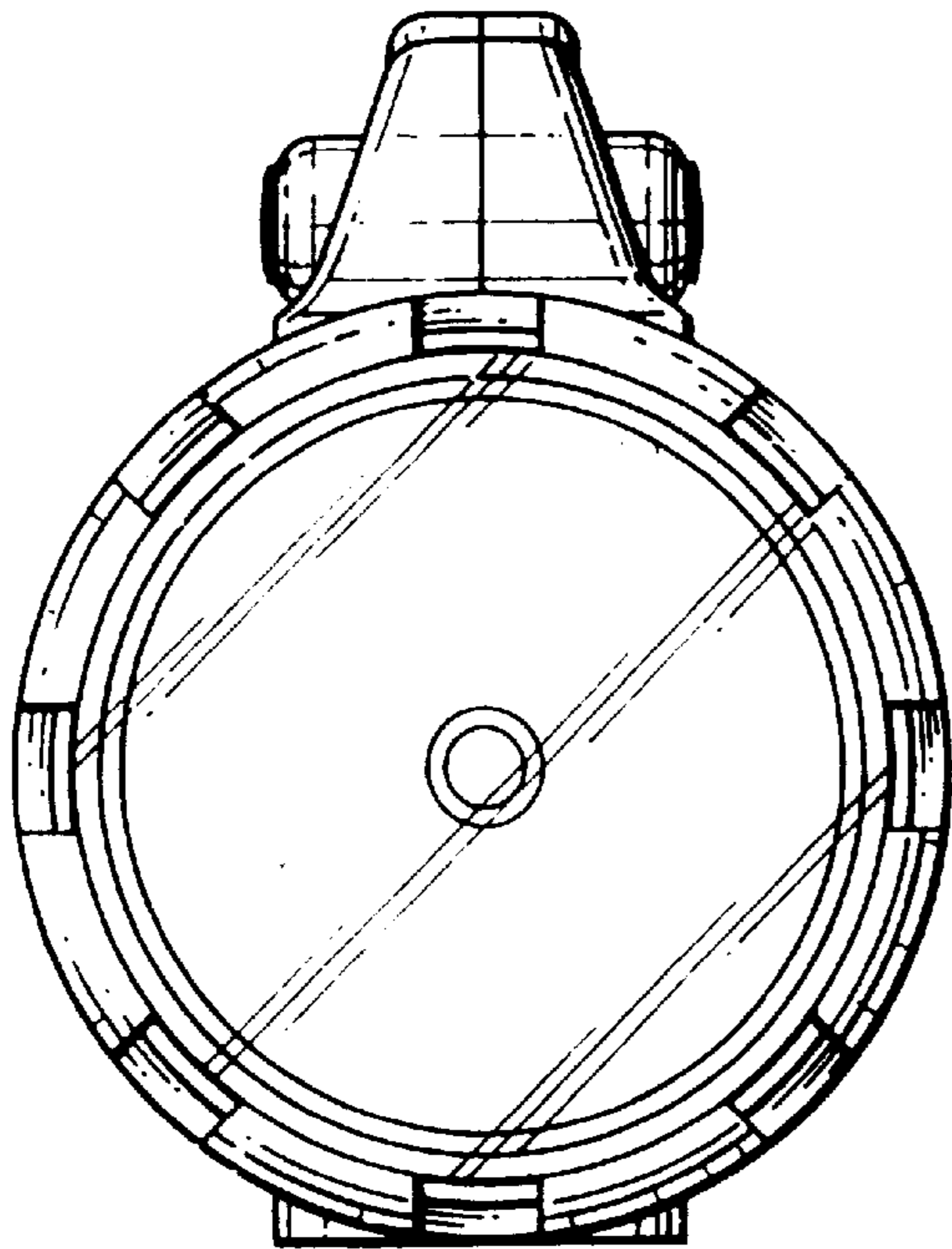


FIG. 1

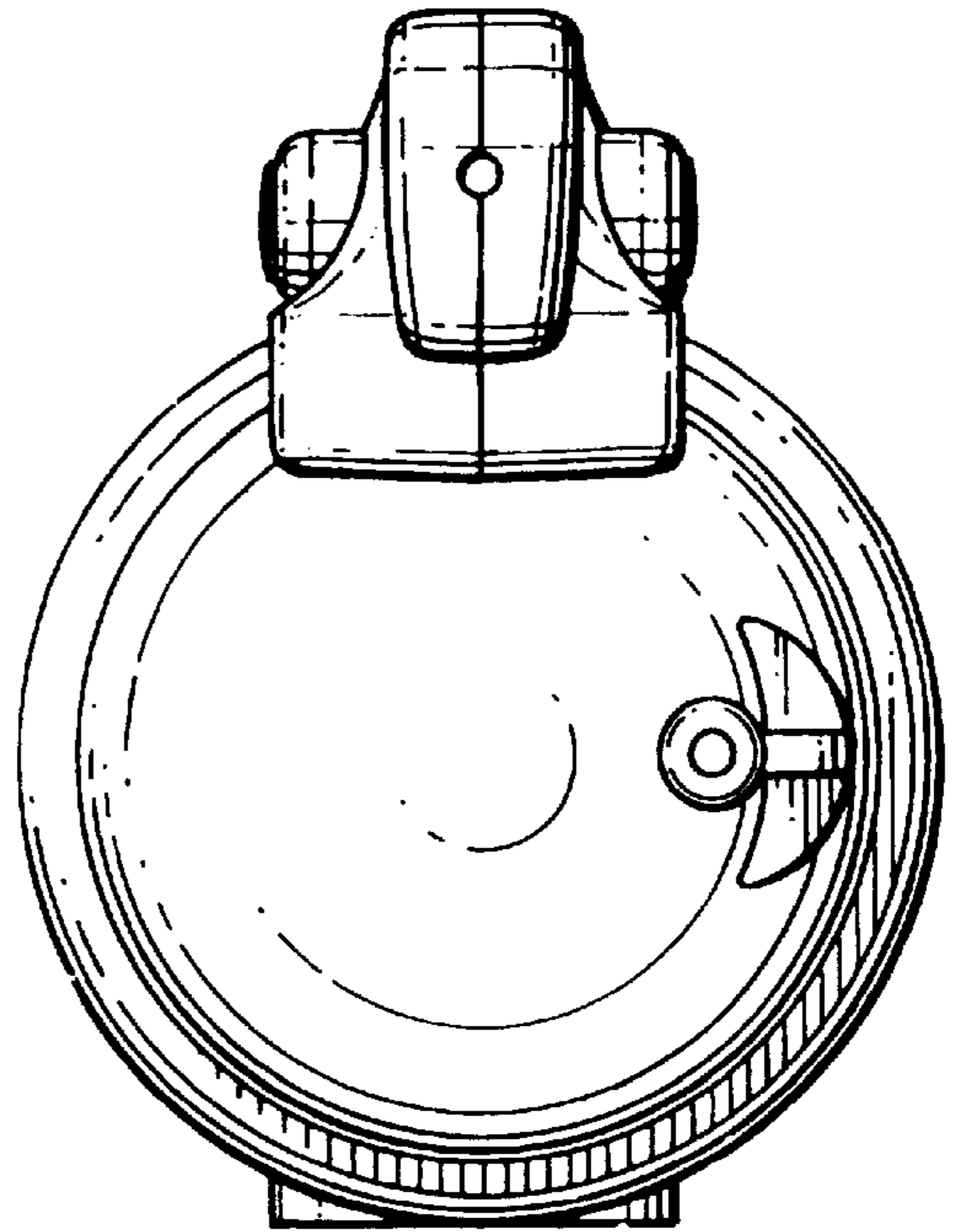


FIG. 2

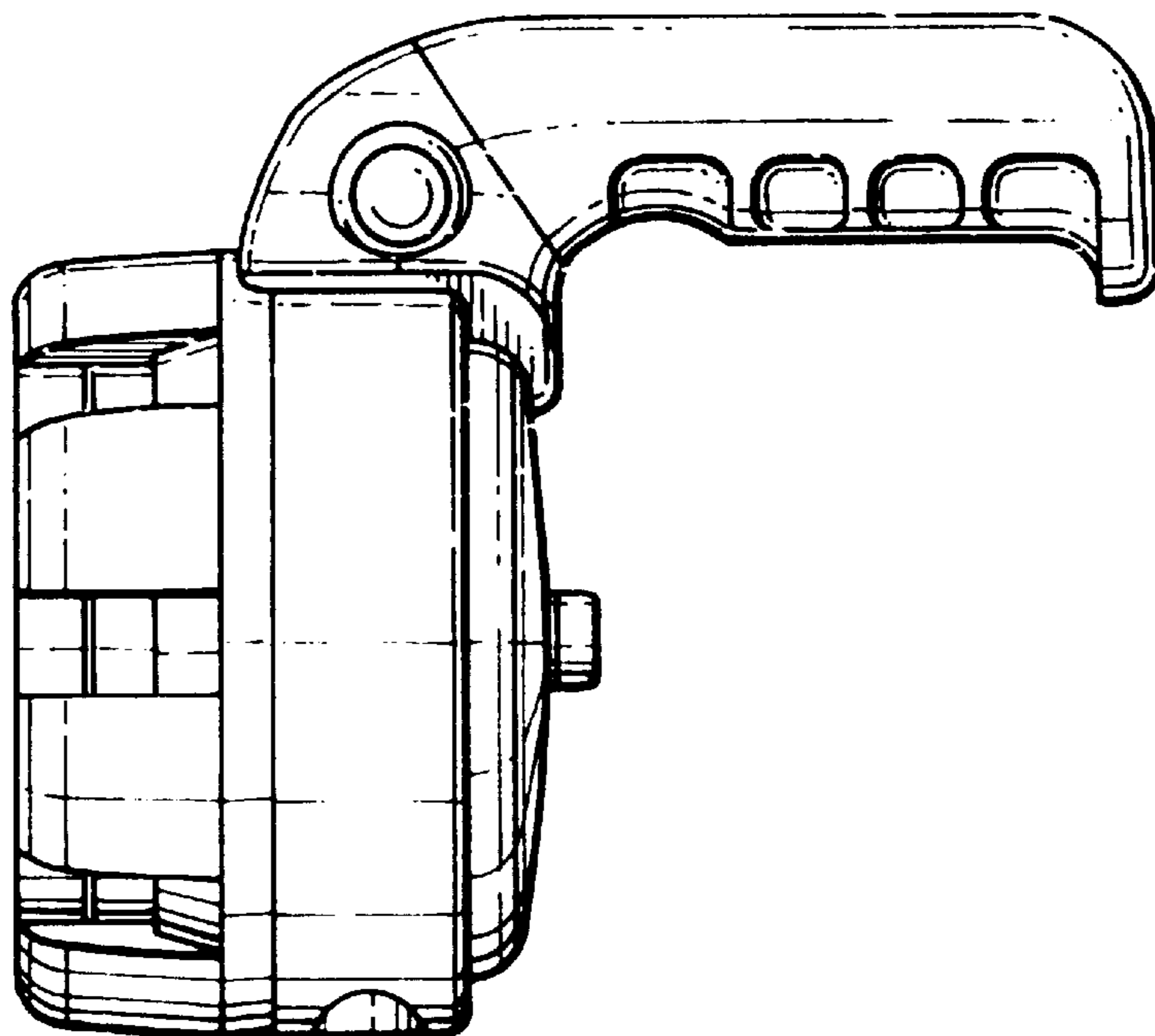


FIG. 3

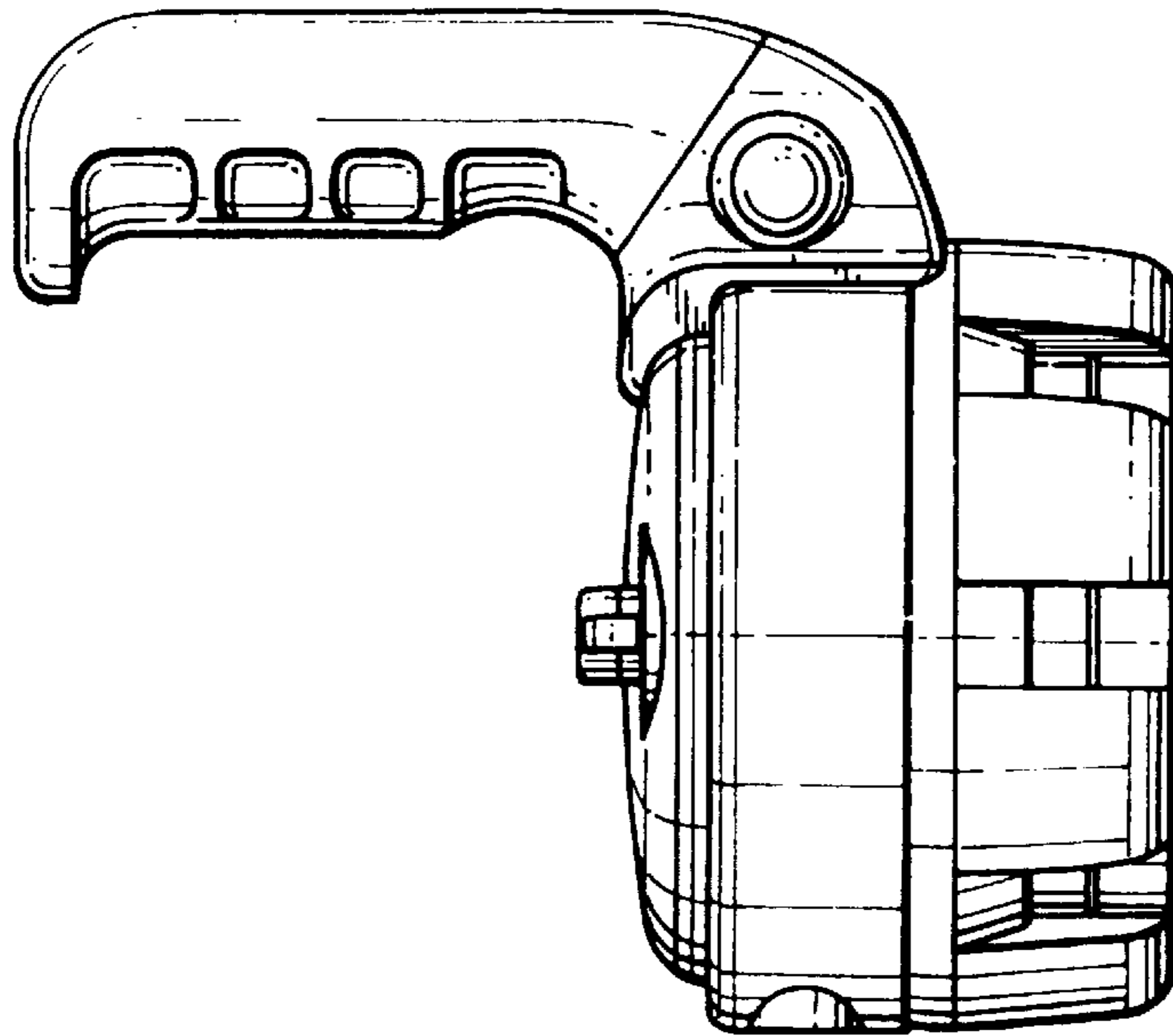


FIG. 4

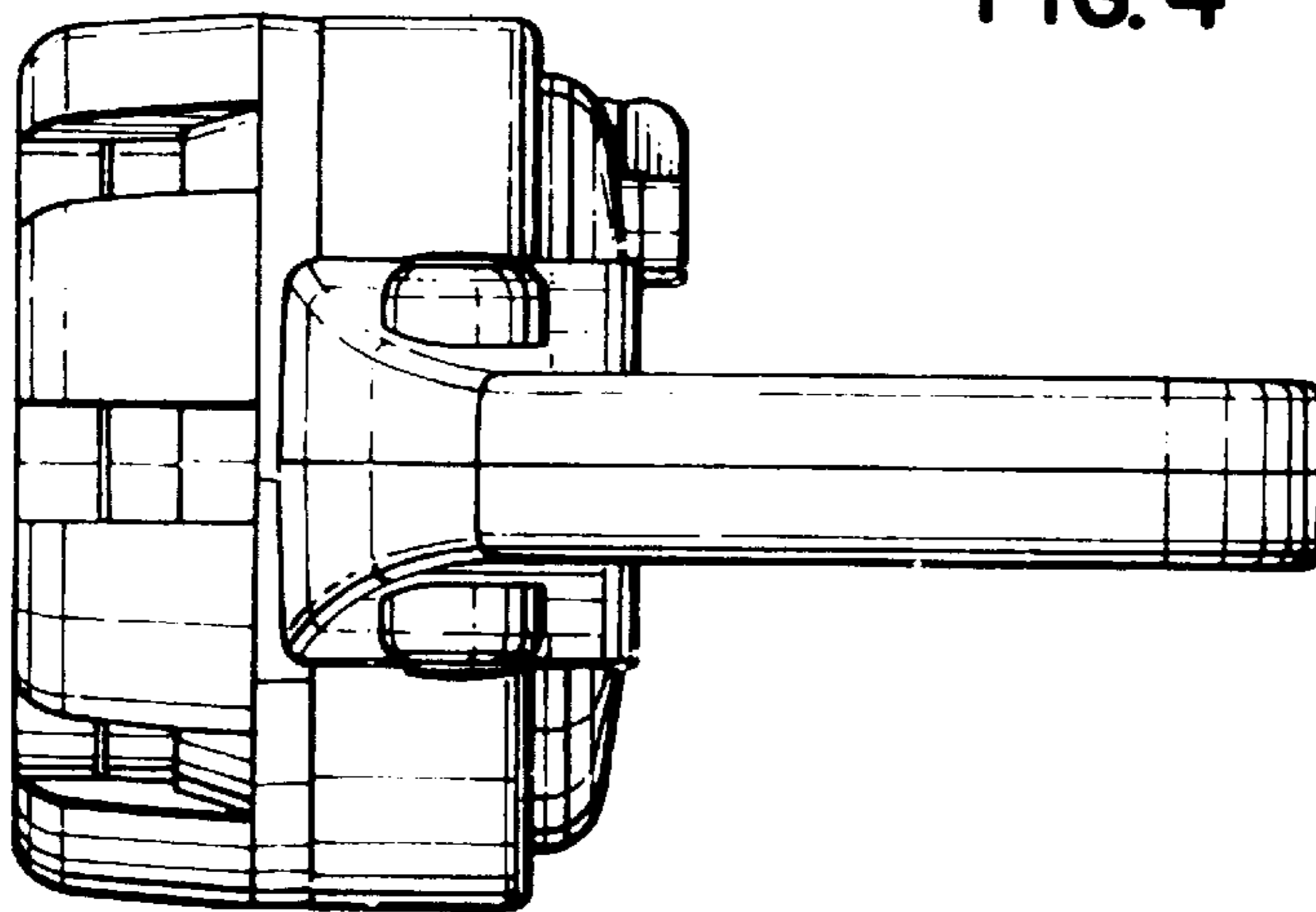


FIG. 5

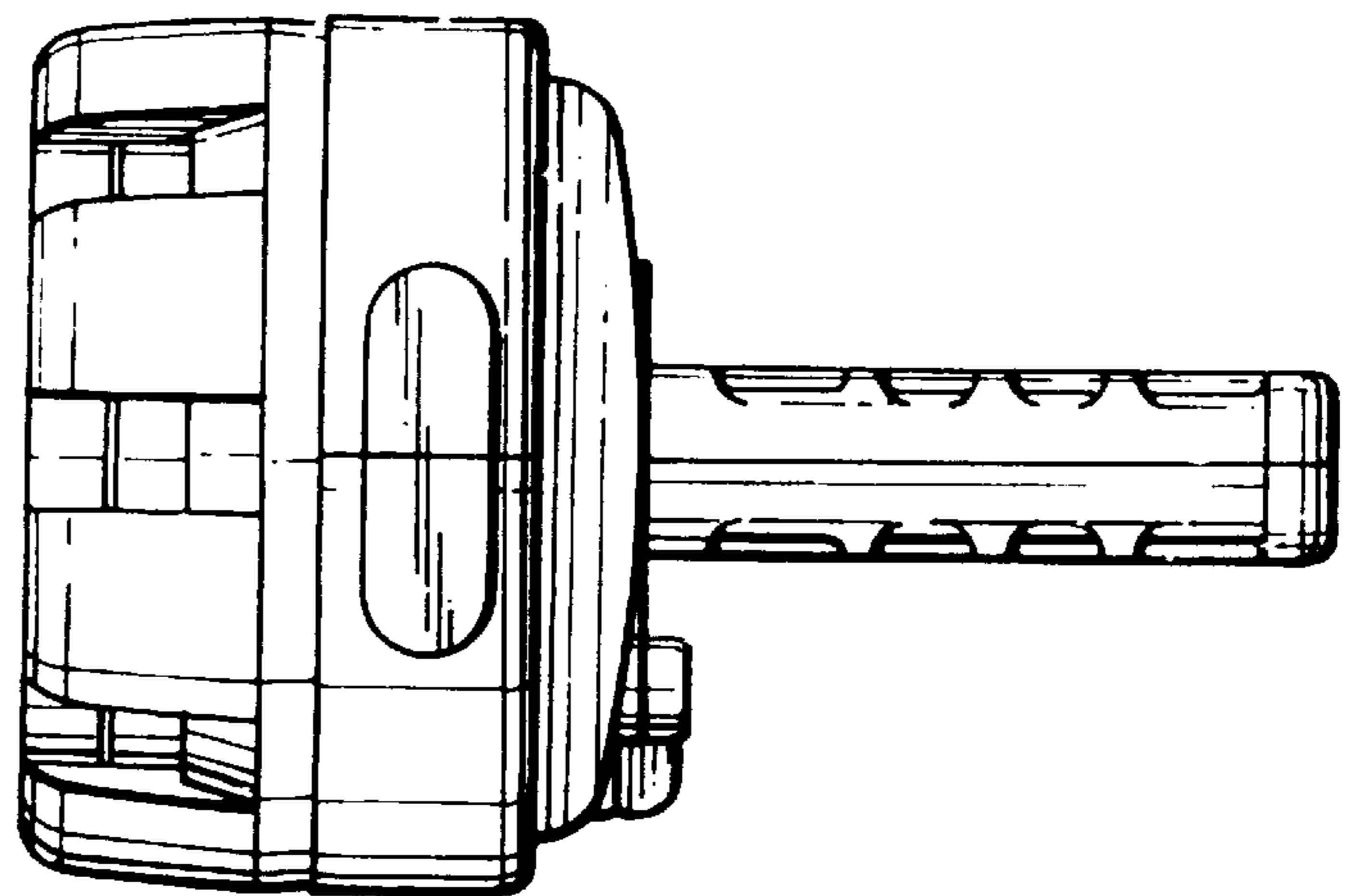


FIG. 6

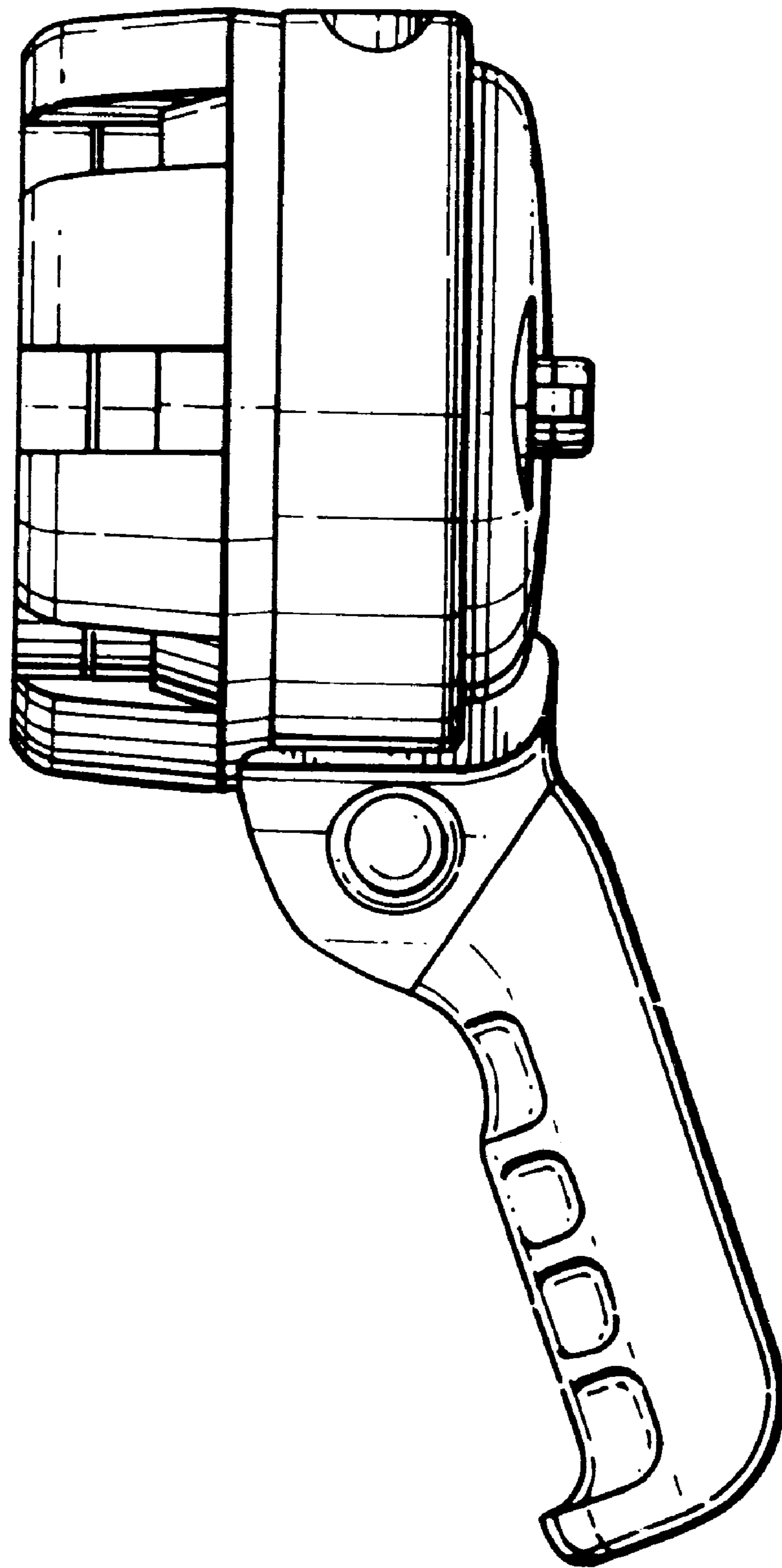


FIG. 7