

US00D432689S

# United States Patent [19]

Yuen

[11] Patent Number: Des. 432,689

[45] Date of Patent: \*\* Oct. 24, 2000

[54] **RECHARGER WITH A RECHARGEABLE PEN LIGHT**

[75] Inventor: **Se Kit Yuen**, Kowloon, The Hong Kong Special Administrative Region of the People's Republic of China

[73] Assignee: **John Manufacturing Ltd.**, Kowloon, The Hong Kong Special Administrative Region of the People's Republic of China

[\*\*] Term: **14 Years**

[21] Appl. No.: **29/119,580**

[22] Filed: **Feb. 29, 2000**

### Related U.S. Application Data

[62] Division of application No. 29/094,692, Oct. 7, 1998.

### [30] Foreign Application Priority Data

Jul. 11, 1998 [HK] The Hong Kong Special Administrative Region of the People's Republic of China ..... 9810937.6M001

[51] **LOC (7) Cl.** ..... **26-06**

[52] **U.S. Cl.** ..... **D26/38; D13/108**

[58] **Field of Search** ..... D26/37-50; 362/86, 362/87, 183-208; D13/108; 320/110, 115, 113

[56] **References Cited**

### U.S. PATENT DOCUMENTS

- D. 210,732 4/1968 Anderson .
- D. 244,796 6/1977 Staub .
- D. 347,079 5/1994 Hung .
- D. 357,990 5/1995 Cheng .
- D. 413,097 8/1999 Chang .
- 5,587,645 12/1996 Sciammarella .

*Primary Examiner*—Susan J. Lucas  
*Attorney, Agent, or Firm*—Pillsbury Madison & Sutro LLP

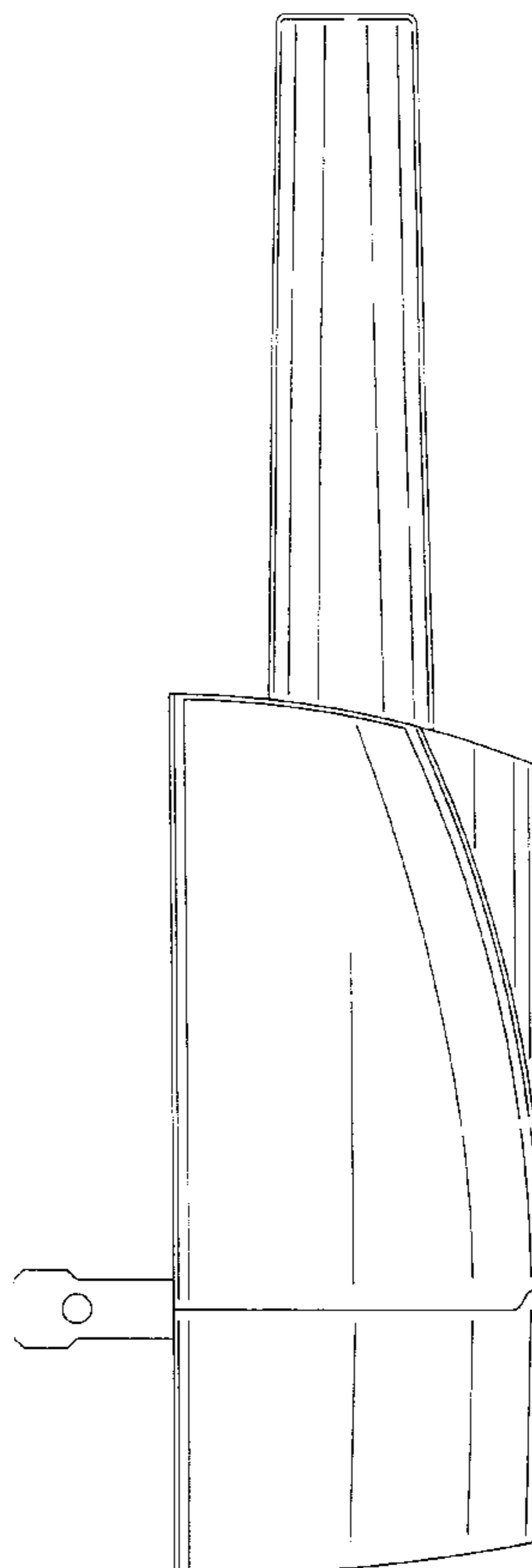
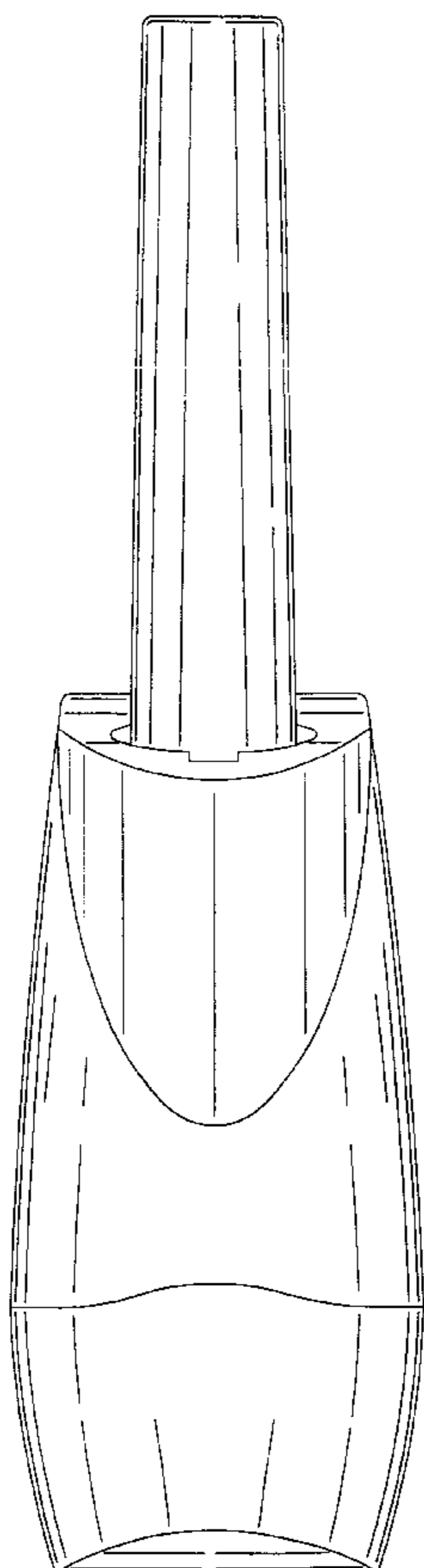
[57] **CLAIM**

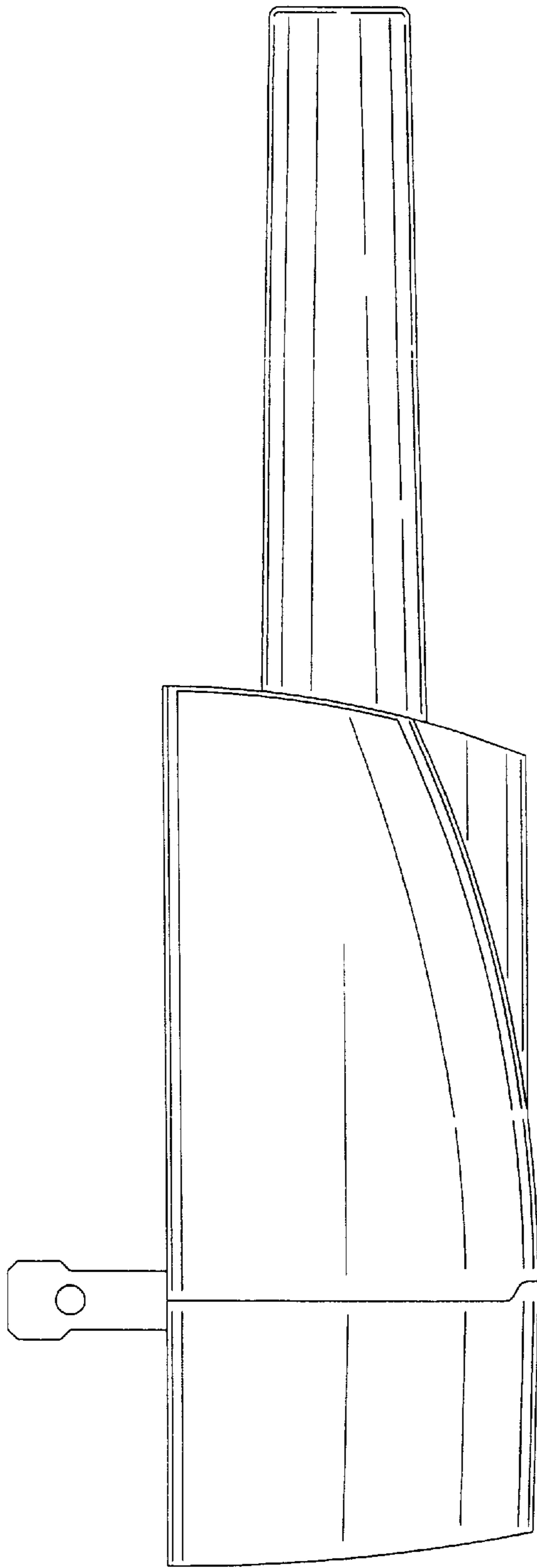
The ornamental design for a recharger with a rechargeable pen light, as shown and described.

### DESCRIPTION

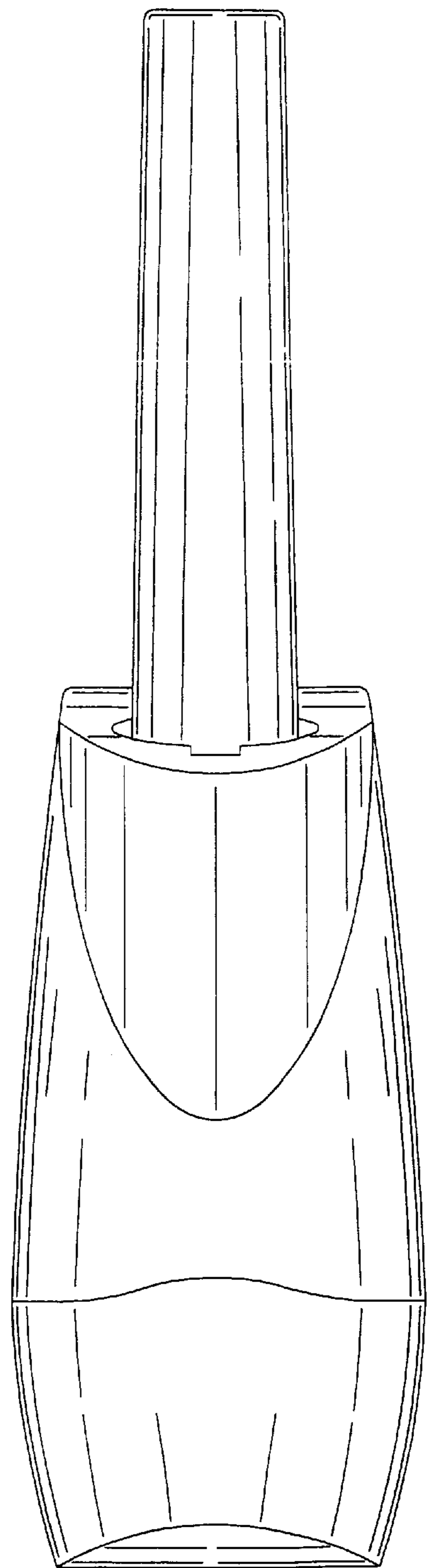
FIG. 1 is a front elevation of a recharger with a rechargeable pen light showing my design;  
FIG. 2 is a left side elevation thereof;  
FIG. 3 is a right side elevation thereof;  
FIG. 4 is a rear elevation thereof;  
FIG. 5 is a top plan view thereof; and,  
FIG. 6 is a bottom plan view thereof.

**1 Claim, 3 Drawing Sheets**

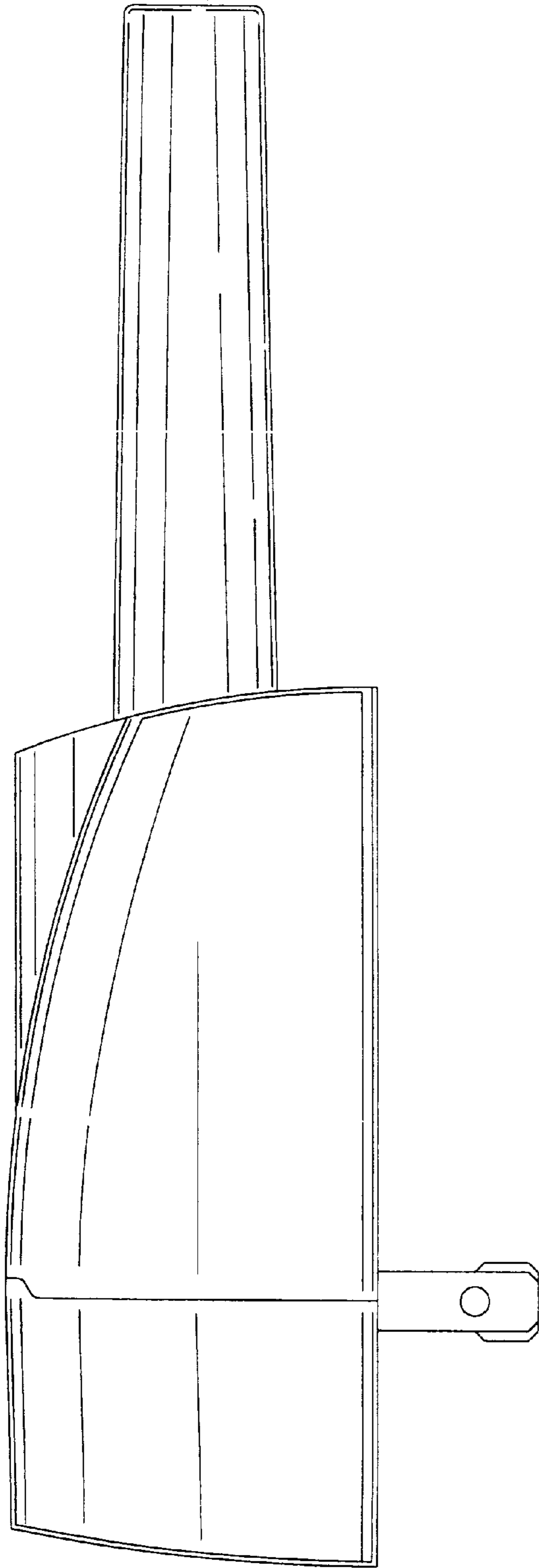




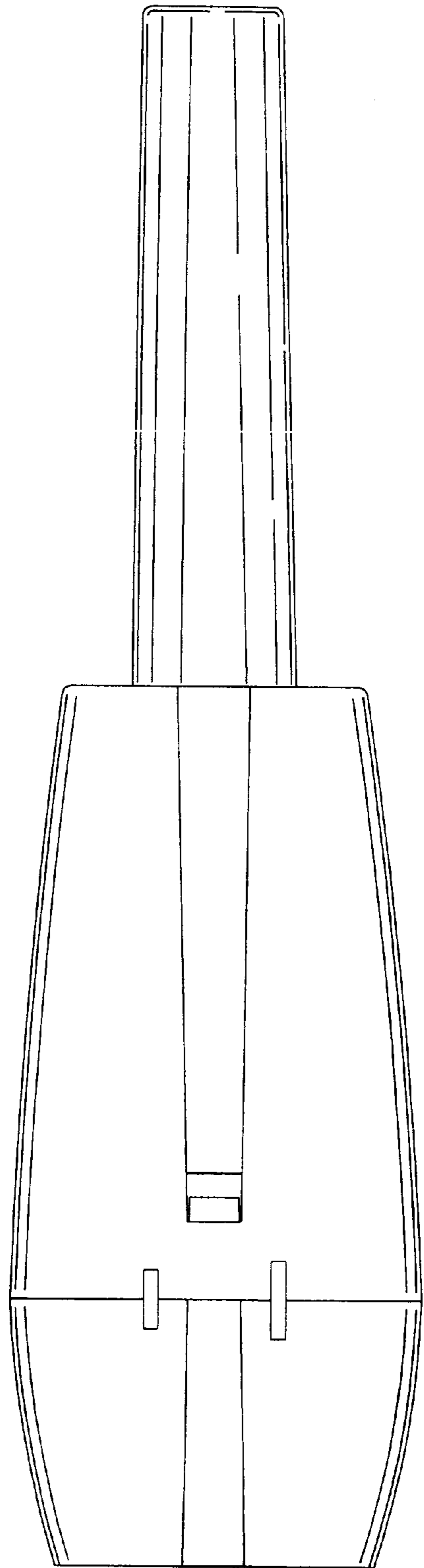
**FIG. 2**



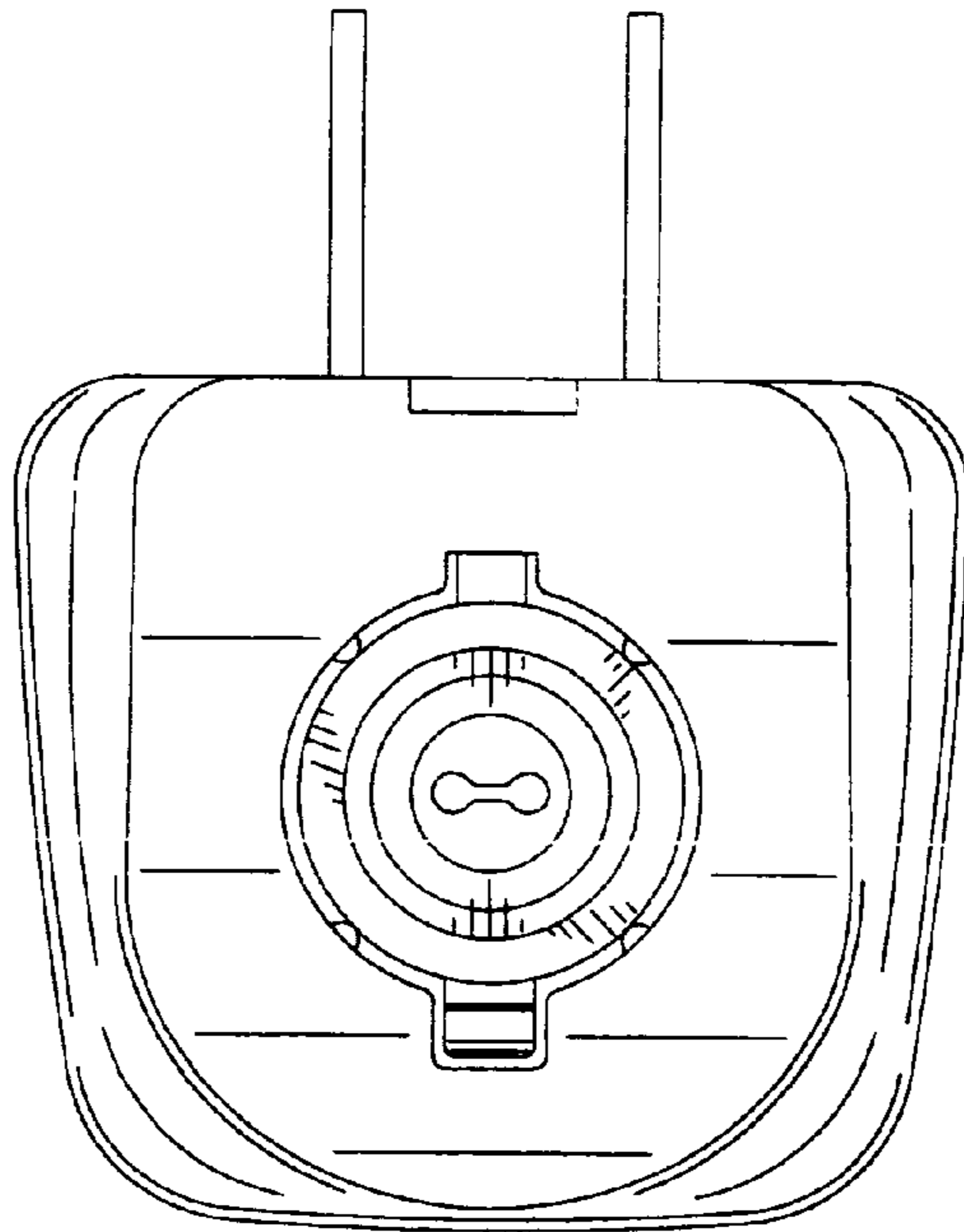
**FIG. 1**



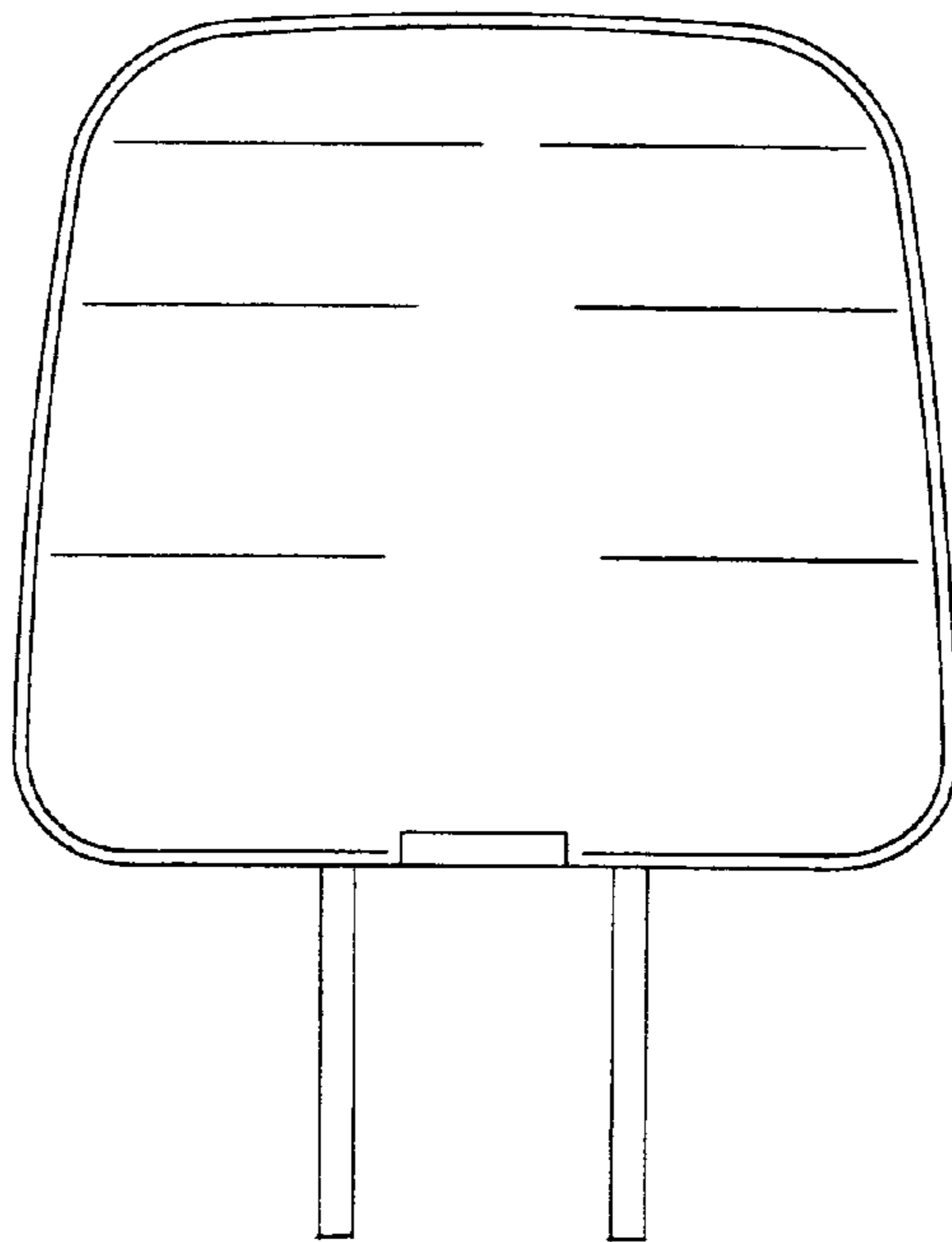
**FIG. 3**



**FIG. 4**



**FIG. 5**



**FIG. 6**