



US00D432688S

United States Patent [19] Pettersen

[11] Patent Number: Des. 432,688

[45] Date of Patent: ** Oct. 24, 2000

[54] **DIRECTIONAL NIGHT LIGHT**

[75] Inventor: **Tor Pettersen**, Rancho Palos Verdes, Calif.

[73] Assignee: **Lomak Industrial Co. Ltd.**, Tsuen Wan, The Hong Kong Special Administrative Region of the People's Republic of China

[**] Term: **14 Years**

[21] Appl. No.: **29/114,601**

[22] Filed: **Nov. 18, 1999**

[30] **Foreign Application Priority Data**

May 21, 1999 [CA] Canada 1999-1267

[51] **LOC (7) Cl.** **26-05**

[52] **U.S. Cl.** **D26/26**

[58] **Field of Search** D26/26, 93, 104, D26/107, 110, 112; 362/338, 340, 226

[56] **References Cited**

U.S. PATENT DOCUMENTS

- D. 194,703 2/1963 Rifkin D26/26
- D. 325,096 3/1992 Peshak D26/26 X
- D. 347,288 5/1994 Ham D26/26

- D. 375,097 10/1996 Kovens D26/26 X
- D. 393,084 3/1998 Hergert D26/26
- D. 423,698 4/2000 Yuen D26/26
- 3,256,428 6/1966 Schwartz .
- 5,457,613 10/1995 Vandenbelt et al. .

Primary Examiner—Cynthia E Ramirez
Attorney, Agent, or Firm—Frommer Lawrence & Haug LLP

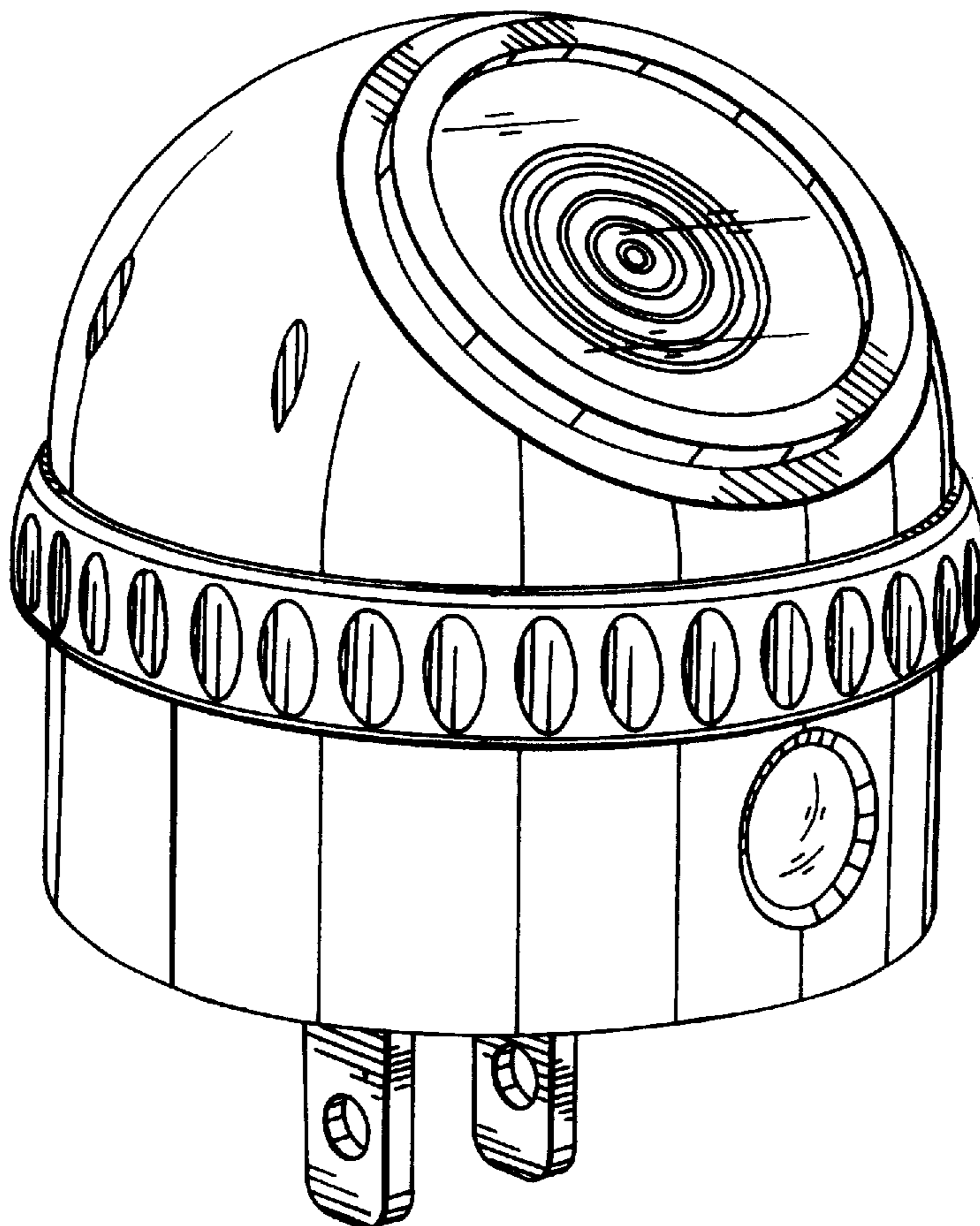
[57] **CLAIM**

The ornamental design for a directional night light, as shown and described.

DESCRIPTION

FIG. 1 is a perspective view of the directional night light; FIG. 2 is a side elevational view of the directional night light; FIG. 3 is a front elevational view of the directional night light; FIG. 4 is a rear elevational view of the directional night light; FIG. 5 is a top plan view of the directional night light; FIG. 6 is a bottom view of the directional night light; FIG. 7 is a top view of the directional night light; FIG. 8 is a top view of the directional night light, in a second position; and, FIG. 9 is a top view of the directional night light, in a third position.

1 Claim, 5 Drawing Sheets



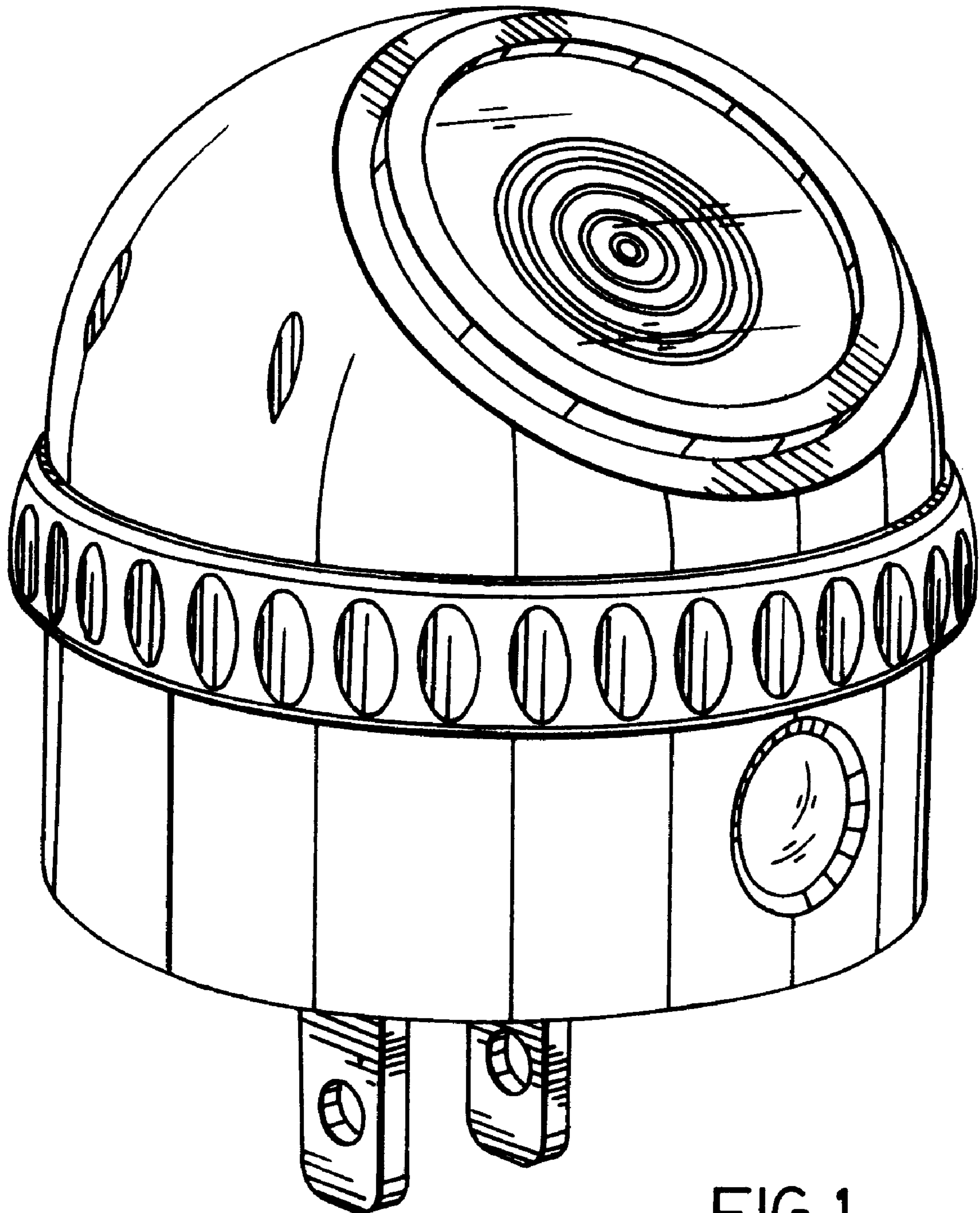
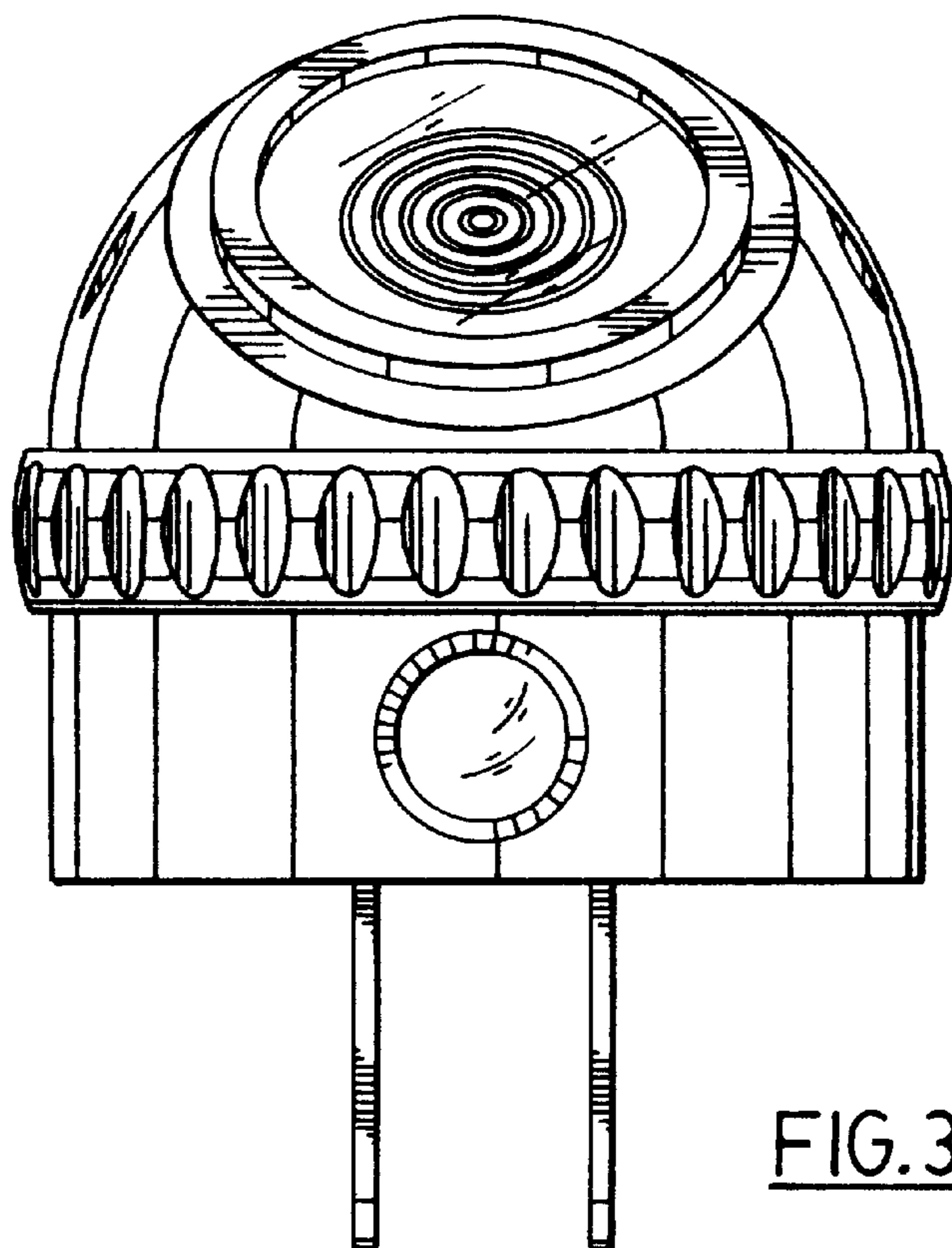
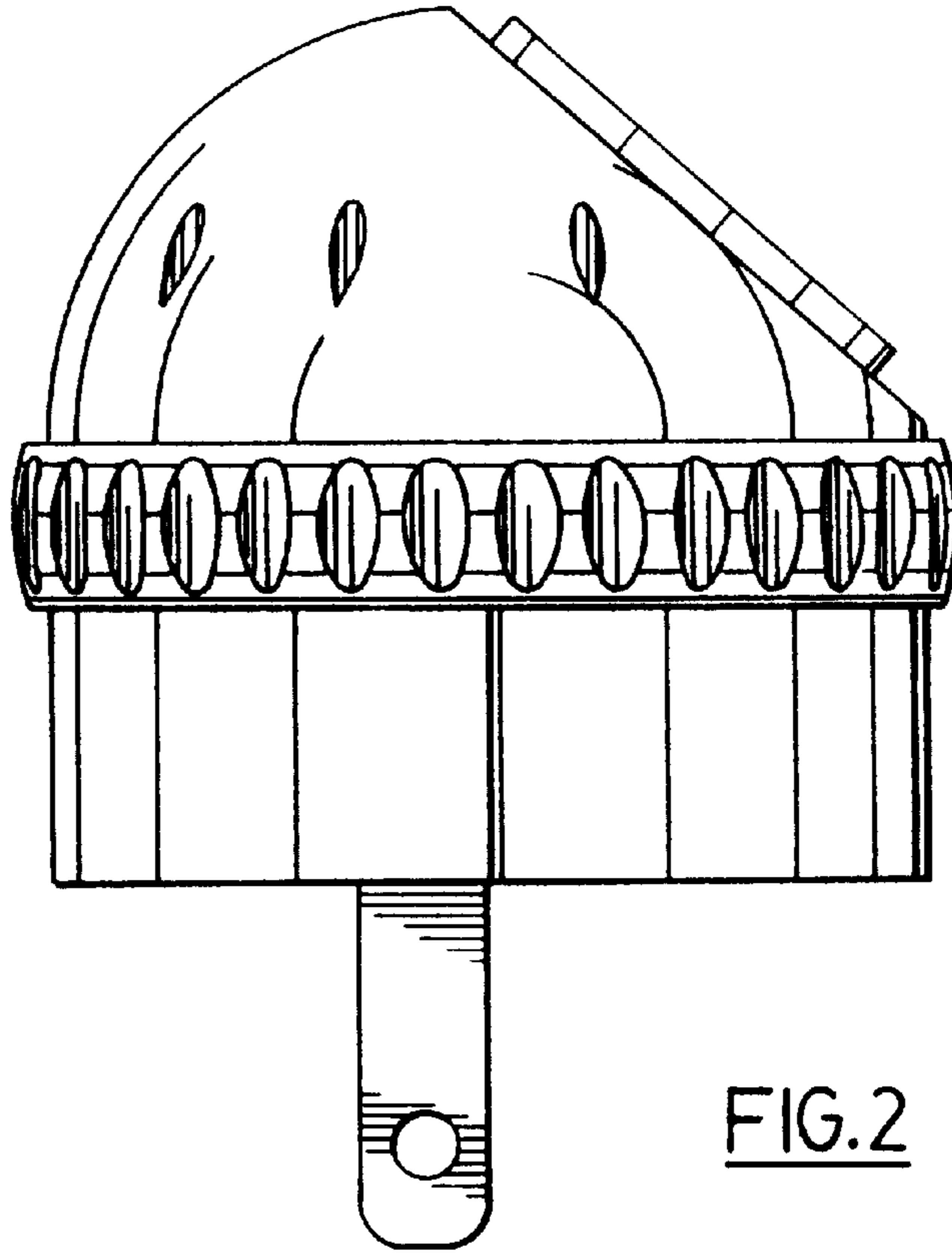


FIG.1



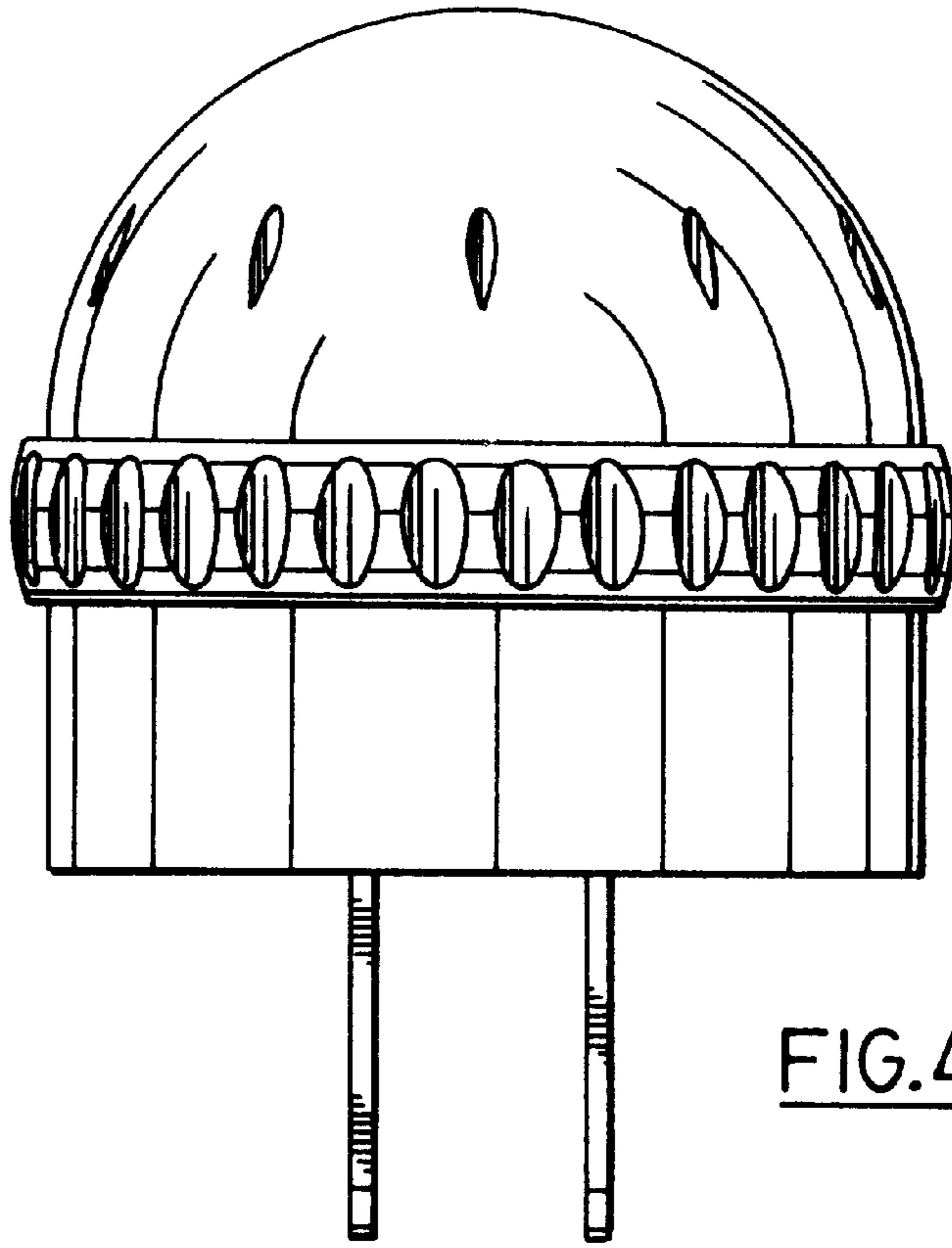


FIG. 4

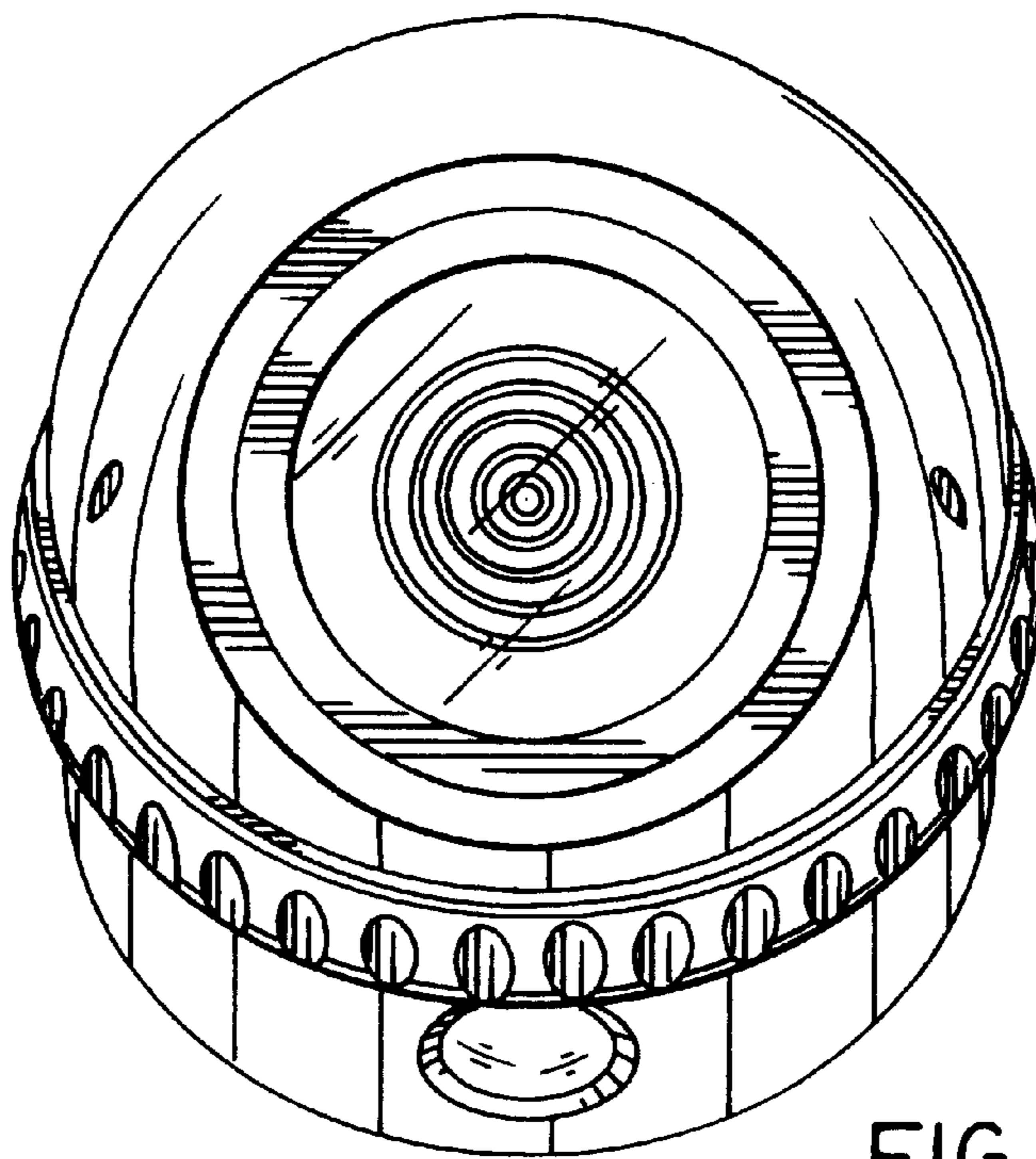


FIG. 5

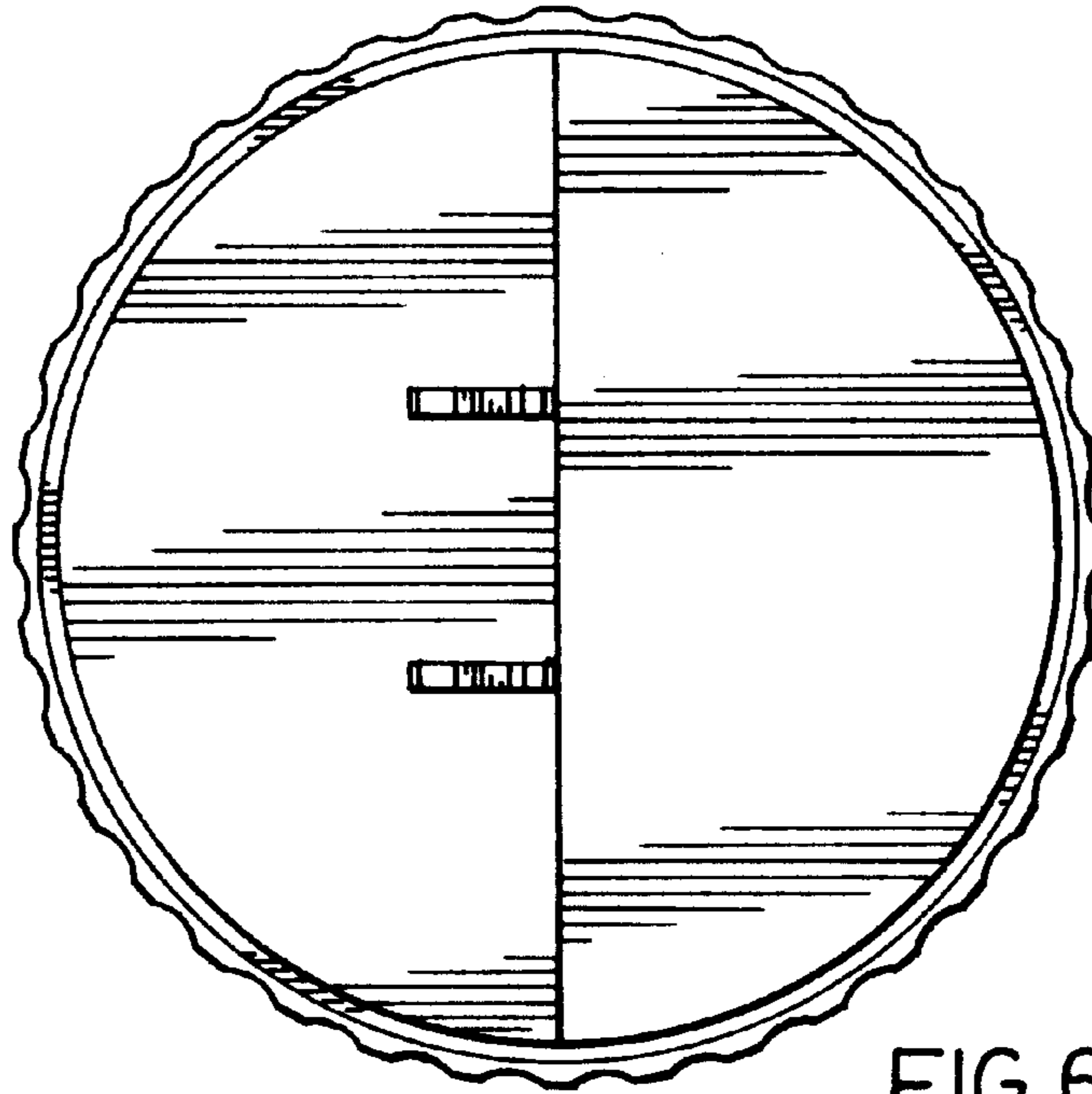


FIG. 6

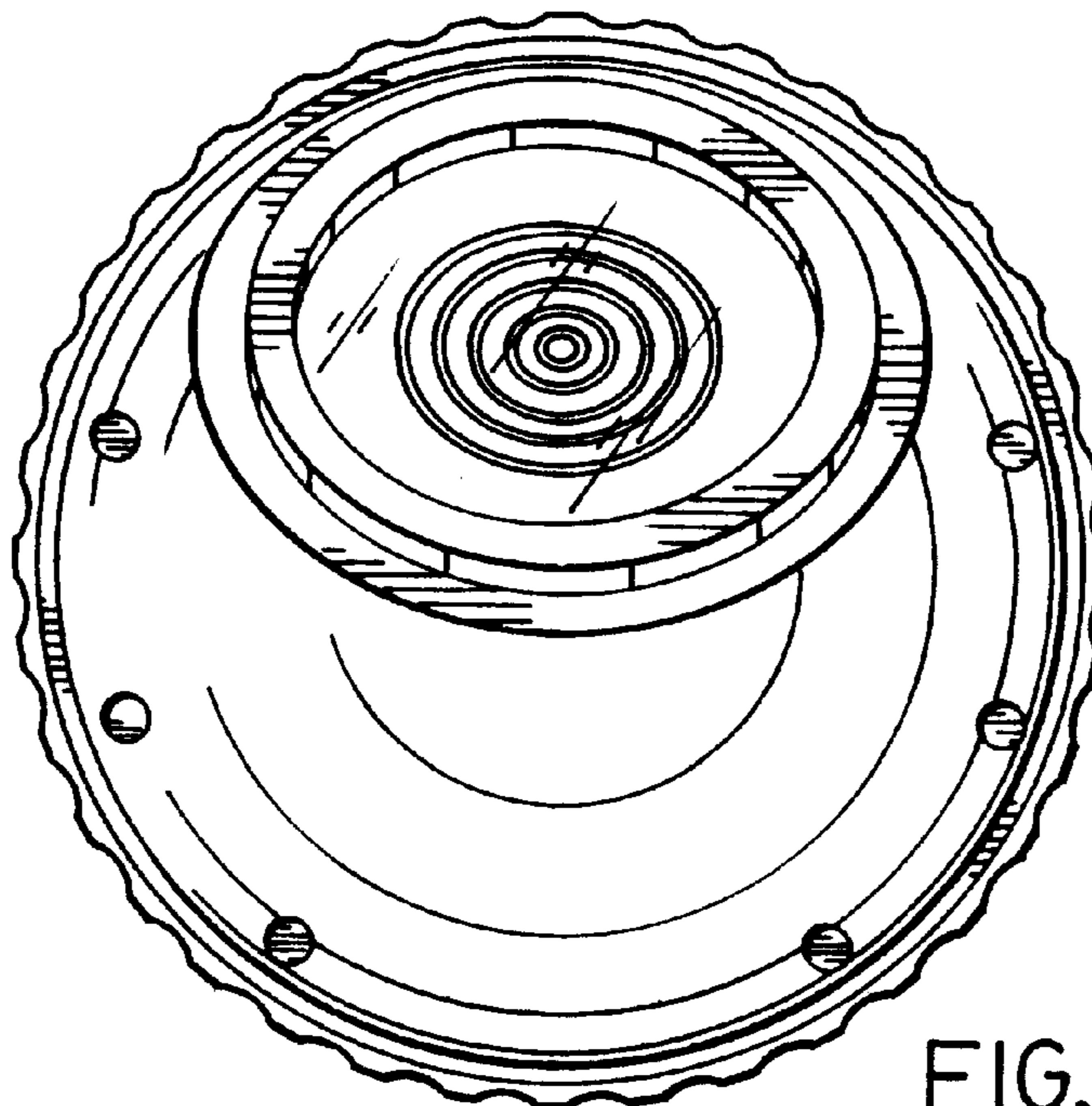


FIG. 7

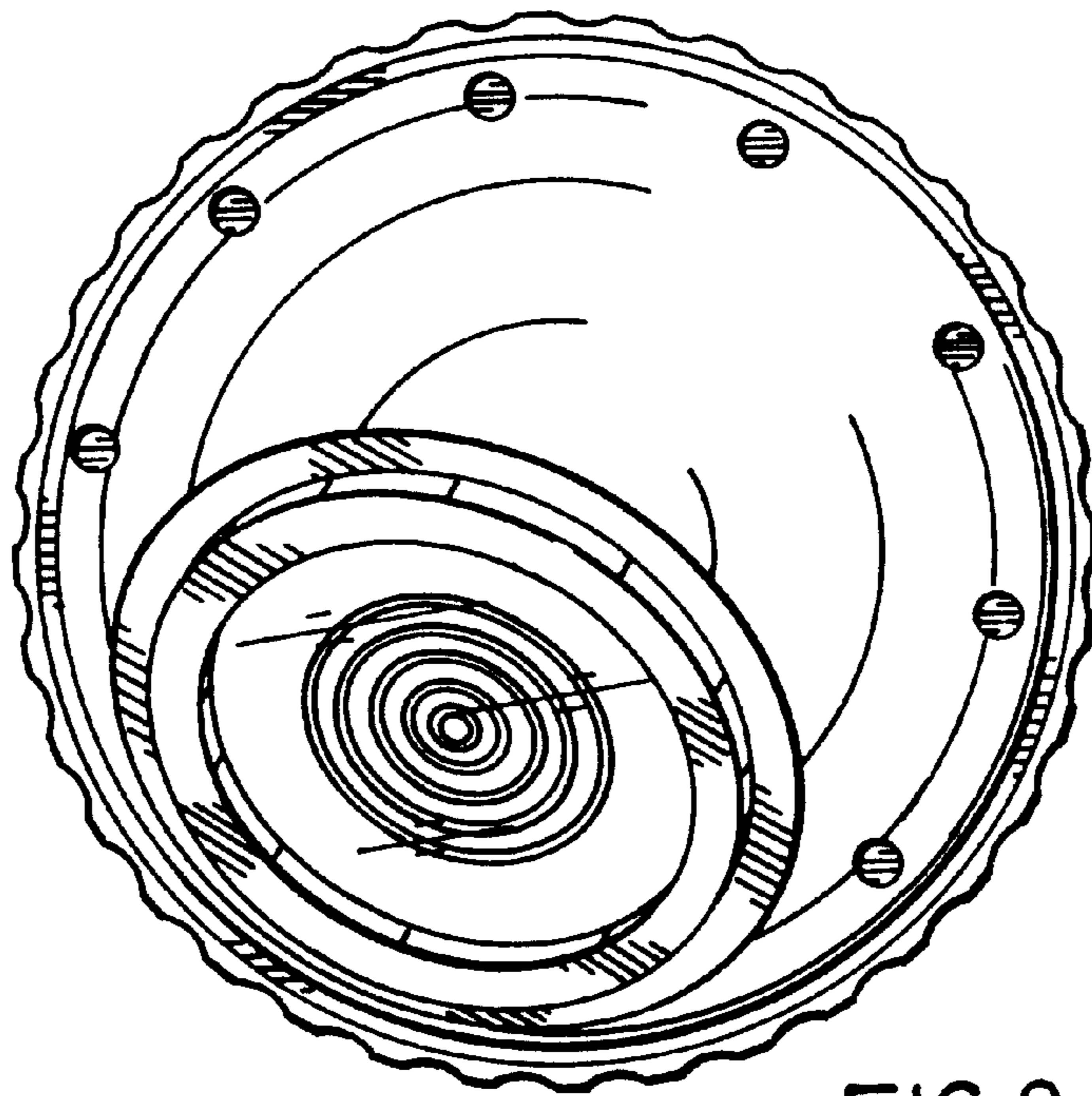


FIG. 8

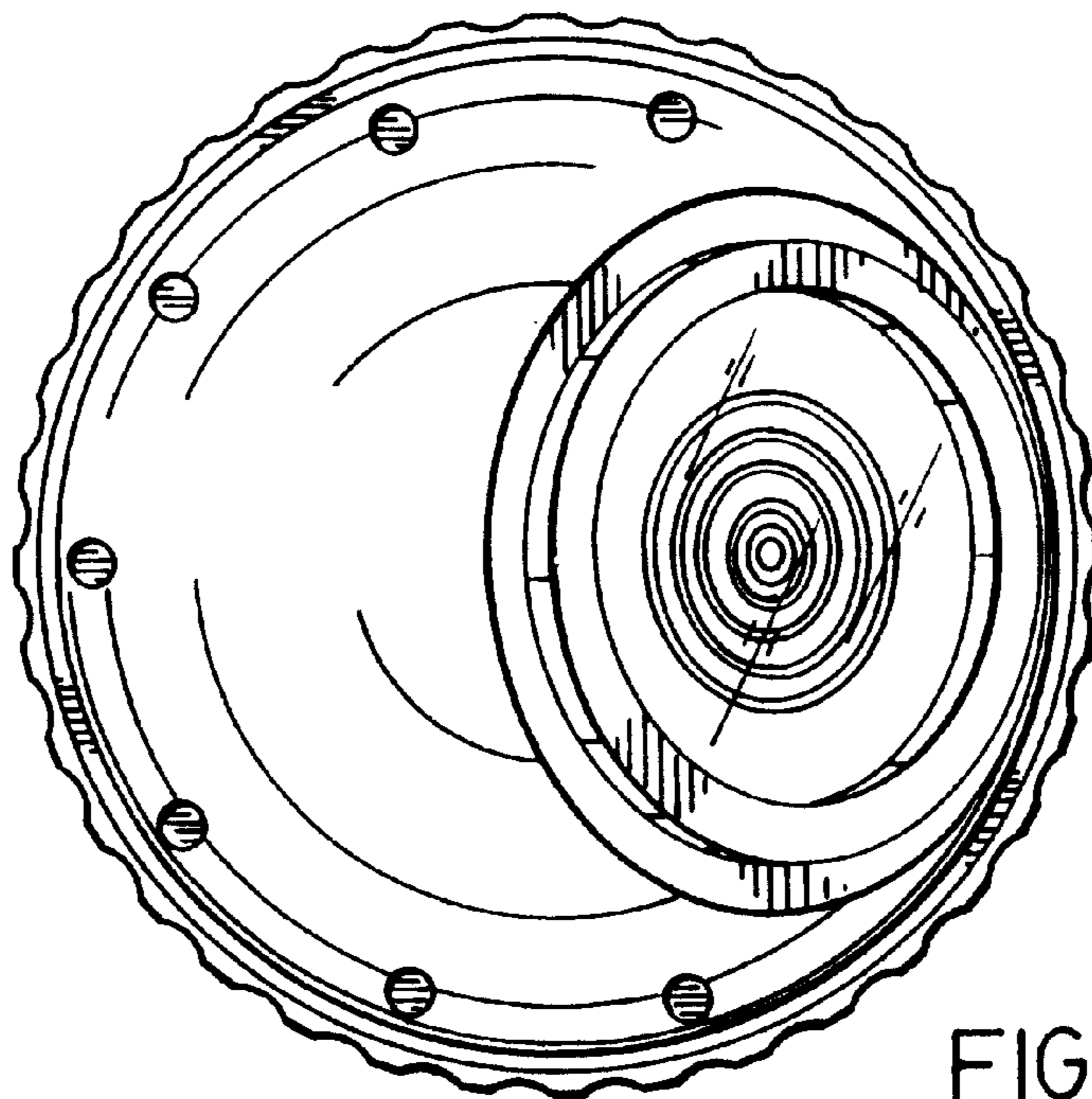


FIG. 9