



US00D432681S

United States Patent [19]

Habeck et al.

[11] Patent Number: **Des. 432,681**

[45] Date of Patent: **** Oct. 24, 2000**

[54] **BENDABLE PICTURE FRAME WITH J-CHANNEL FOR PICTURE WINDOW**

[75] Inventors: **Jerome Carl Habeck, Holt; Dennis C. Westphal, Parma, both of Mich.; David S. Levine, King of Prussia; Stanley Gursky, Yardley, both of Pa.**

[73] Assignee: **CertainTeed Corporation, Valley Forge, Pa.**

[**] Term: **14 Years**

[21] Appl. No.: **29/119,686**

[22] Filed: **Mar. 6, 2000**

[51] **LOC (7) Cl.** **25-04**

[52] **U.S. Cl.** **D25/124**

[58] **Field of Search** *52/777, 778, 779, 52/764, 204.5, 204.55, 656.4, 656.5, 656.6, 656.7; 49/504, DIG. 2; D25/124, 60, 125,*
52

[56] **References Cited**

U.S. PATENT DOCUMENTS

D. 369,419	4/1996	Franson	D25/125
D. 377,533	1/1997	Dallaire et al.	D25/124
4,944,118	7/1990	Biro	49/504

Primary Examiner—Doris Clark
Attorney, Agent, or Firm—Duane Morris & Heckscher, LLP

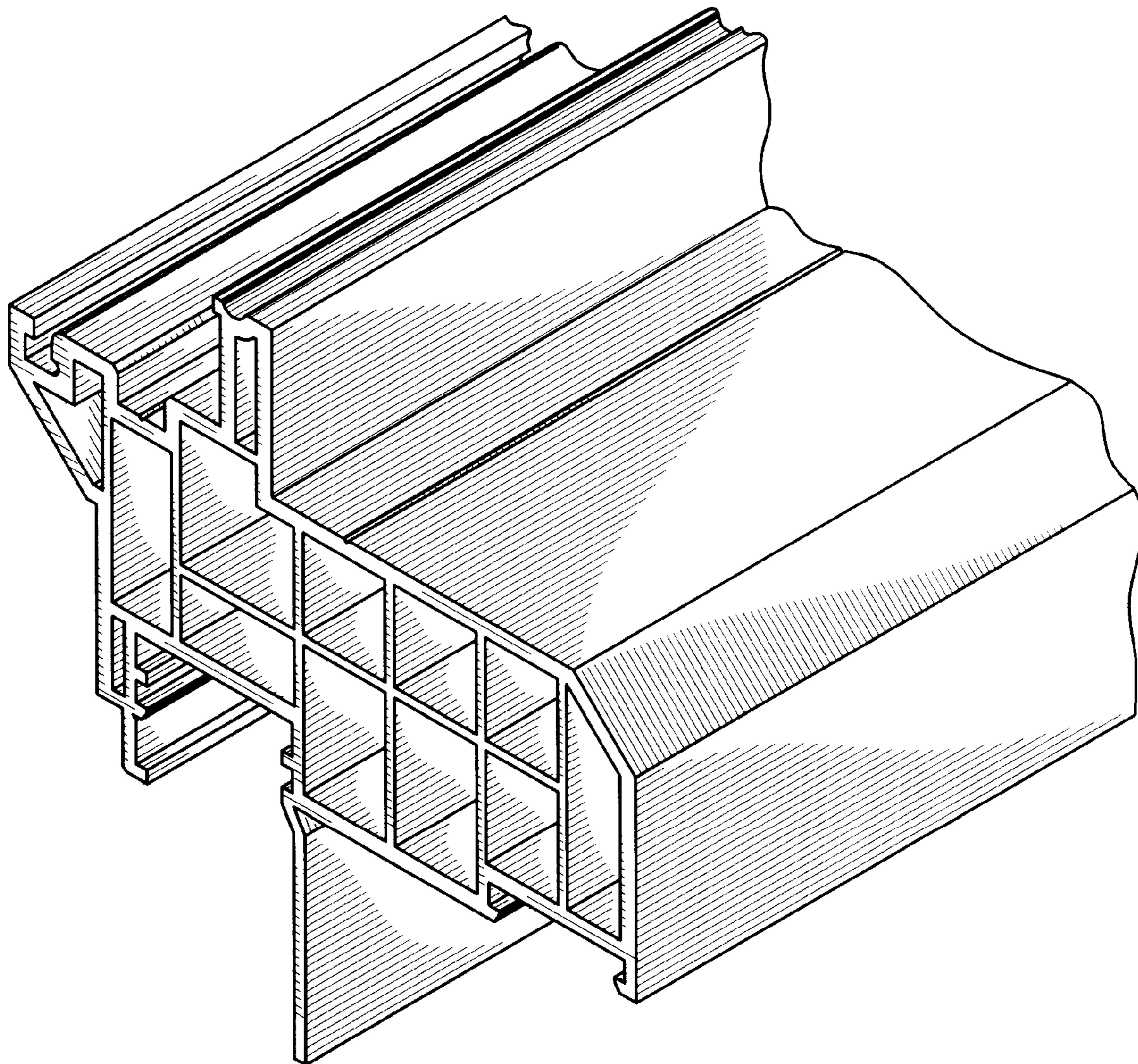
[57] **CLAIM**

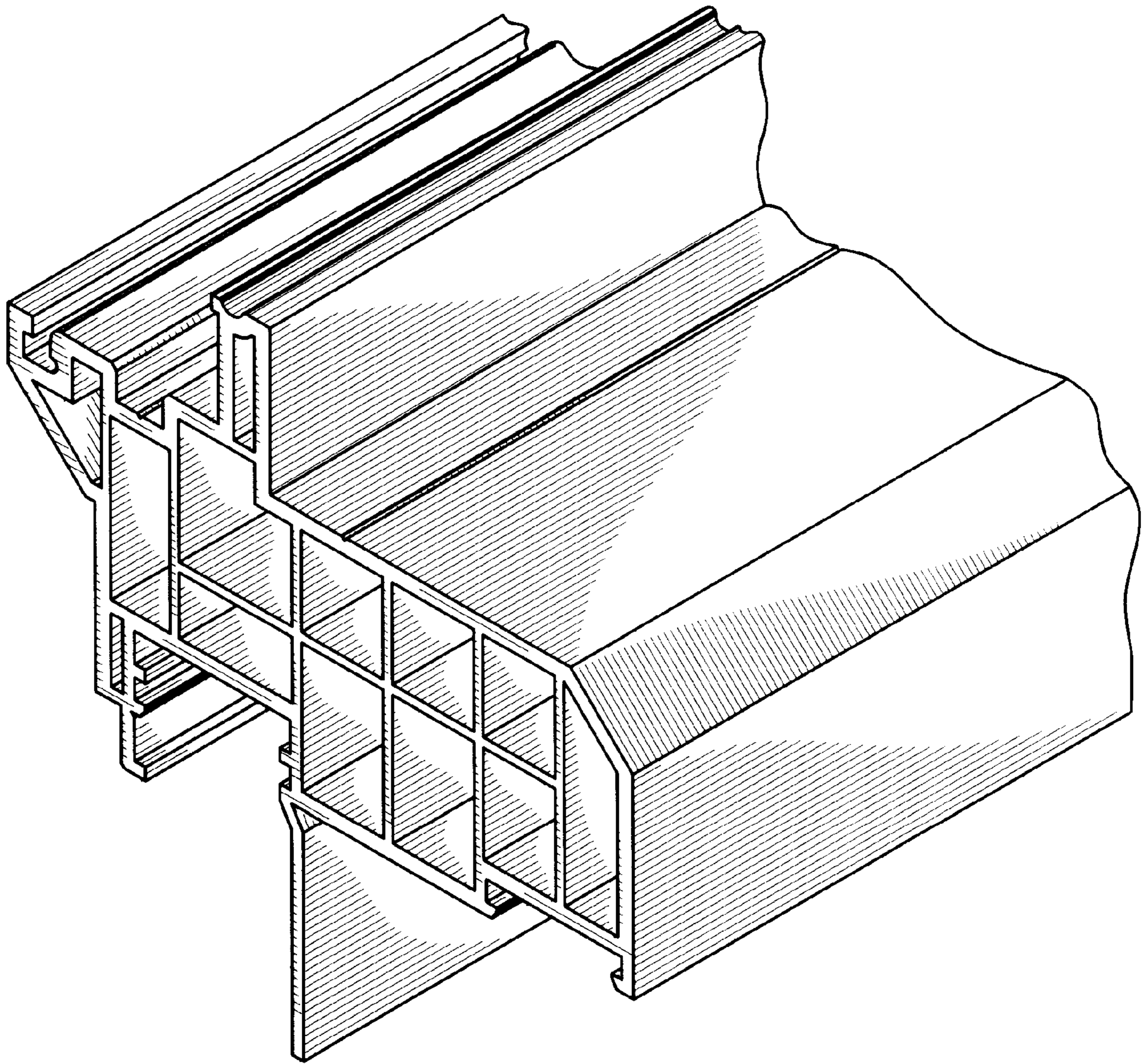
The ornamental design for a bendable picture frame with J-channel for picture window, as shown and described.

DESCRIPTION

The FIGURE is a front perspective view of a bendable picture frame with J-channel for picture window, showing our new design, the rear perspective view being a mirror image thereof, and is shown fragmented indicating indefinite length.

1 Claim, 1 Drawing Sheet





THE FIGURE