



US00D432680S

# United States Patent [19]

Habeck et al.

[11] Patent Number: **Des. 432,680**

[45] Date of Patent: **\*\* Oct. 24, 2000**

[54] **BENDABLE PICTURE FRAME FOR REPLACEMENT PICTURE WINDOW**

[75] Inventors: **Jerome Carl Habeck**, Holt; **Dennis C. Westphal**, Parma, both of Mich.; **David S. Levine**, King of Prussia; **Stanley Gursky**, Yardley, both of Pa.

[73] Assignee: **CertainTeed Corporation**, Valley Forge, Pa.

[\*\*] Term: **14 Years**

[21] Appl. No.: **29/119,683**

[22] Filed: **Mar. 6, 2000**

[51] **LOC (7) Cl.** ..... **25-01**

[52] **U.S. Cl.** ..... **D25/124**

[58] **Field of Search** ..... 52/777, 778, 779, 52/764, 204.5, 204.55, 656.4, 656.6, 656.7; D25/124, 60, 125, 52; 49/504, DIG. 2

[56] **References Cited**

**U.S. PATENT DOCUMENTS**

- D. 381,438 7/1997 DiGiorgio ..... D25/124
- D. 382,071 8/1997 Dallaire et al. .... D25/124
- D. 417,291 12/1999 Hart ..... D25/124

*Primary Examiner*—Doris Clark

*Attorney, Agent, or Firm*—Duane Morris & Heckscher, LLP

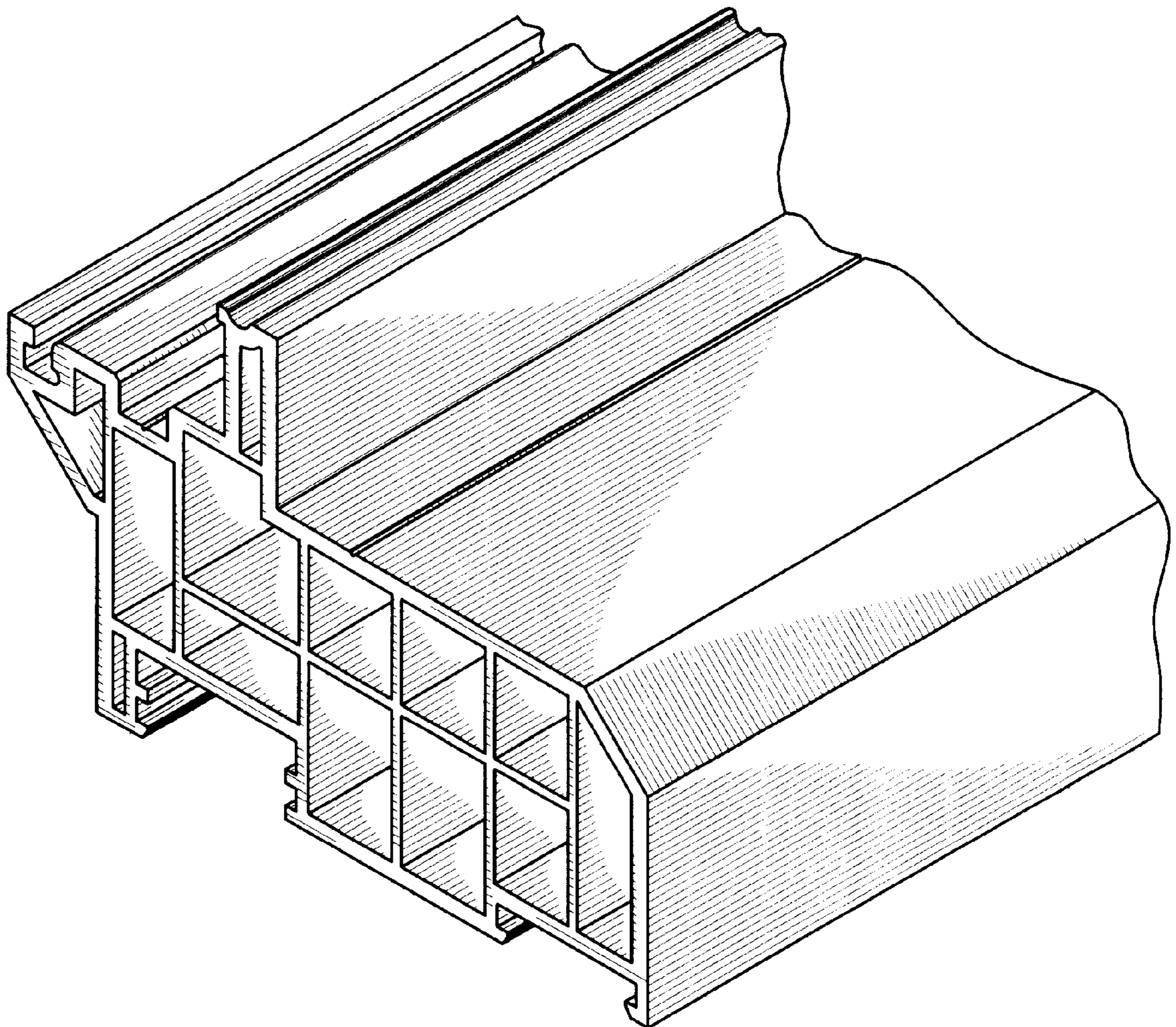
[57] **CLAIM**

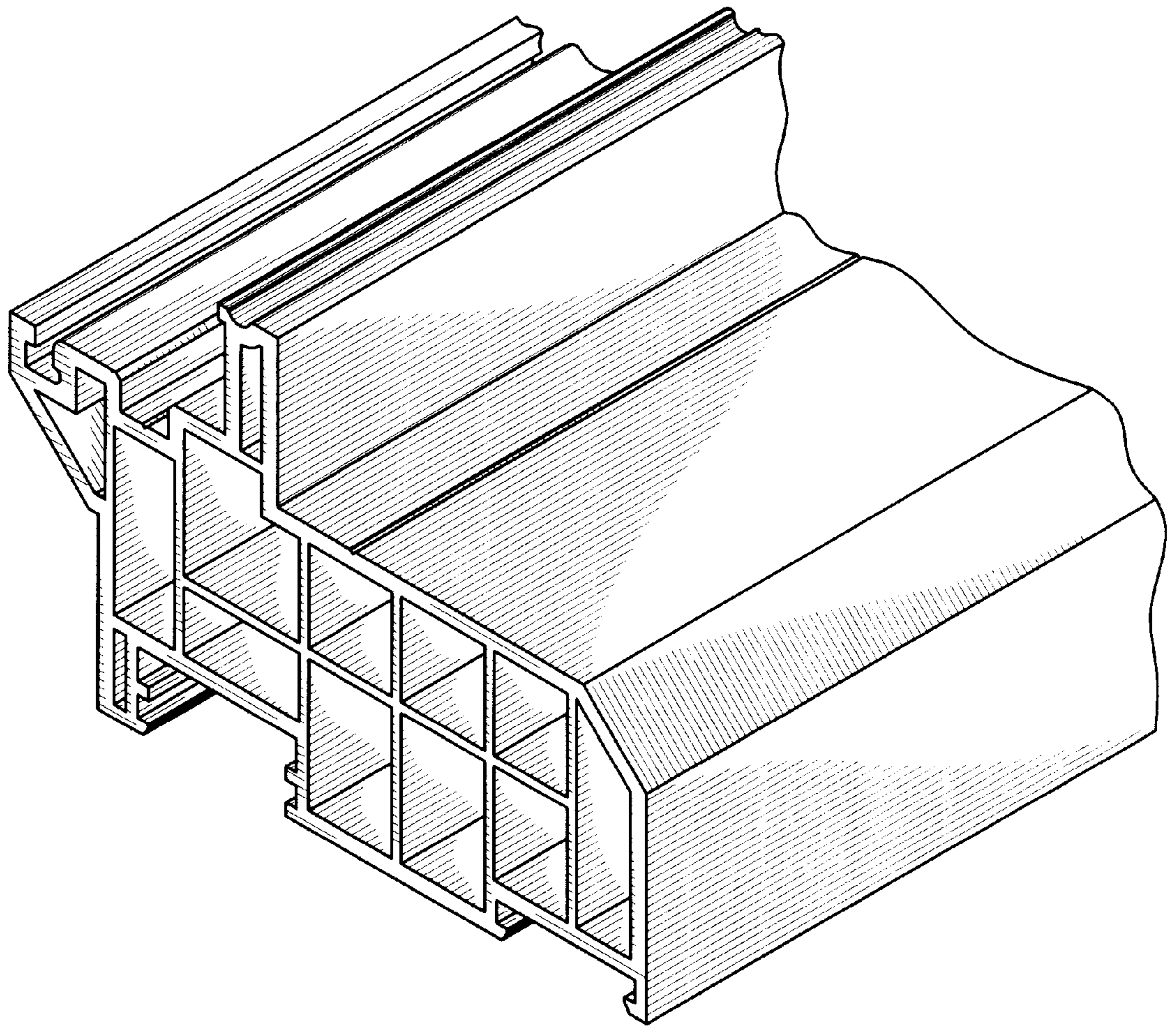
The ornamental design for a bendable picture frame for replacement picture window, as shown and described.

**DESCRIPTION**

The FIGURE is a front perspective view of a bendable picture frame for replacement picture window, showing our new design, the rear perspective view being a mirror image thereof, and is shown fragmented indicating indefinite length.

**1 Claim, 1 Drawing Sheet**





THE FIGURE