



US00D432679S

# United States Patent [19]

Habeck et al.

[11] **Patent Number: Des. 432,679**

[45] **Date of Patent: \*\* Oct. 24, 2000**

[54] **REPLACEMENT SILL FOR DOUBLE AND SINGLE HUNG WINDOW**

[75] Inventors: **Jerome Carl Habeck, Holt; Dennis C. Westphal, Parma, both of Mich.; David S. Levine, King of Prussia; Stanley Gursky, Yardley, both of Pa.**

[73] Assignee: **CertainTeed Corporation, Valley Forge, Pa.**

[\*\*] Term: **14 Years**

[21] Appl. No.: **29/119,357**

[22] Filed: **Feb. 28, 2000**

[51] **LOC (7) Cl. .... 25-01**

[52] **U.S. Cl. .... D25/124**

[58] **Field of Search .... D25/60, 124, 125, D25/152; 52/204.5, 730.3, 730.4, 730.5; 49/404, 304, 411, 410, 412, 413, 414, 504, 505, DIG. 2, 419, 423**

[56] **References Cited**

**U.S. PATENT DOCUMENTS**

D. 380,561 7/1997 Colitto ..... D25/124

D. 391,649 3/1998 Opielski et al. .... D25/124

D. 402,058 12/1998 Leonelli ..... D25/124

4,048,774 9/1977 Yamamoto ..... 49/404

4,503,641 3/1985 Swan ..... 49/404

4,793,114 12/1988 Pacca ..... 52/204.5

*Primary Examiner*—Doris Clark

*Attorney, Agent, or Firm*—Duane Morris & Heckscher, LLP

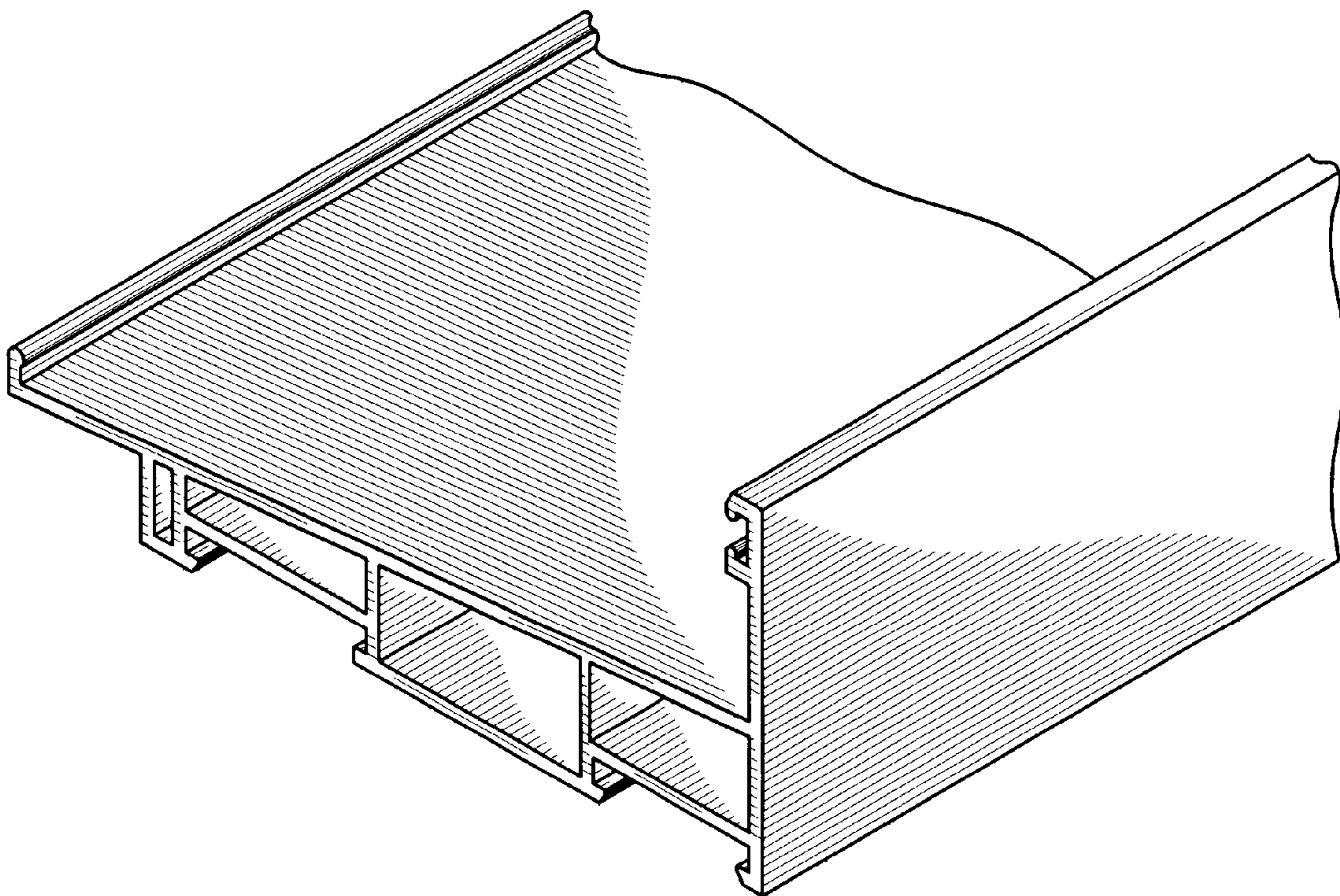
[57] **CLAIM**

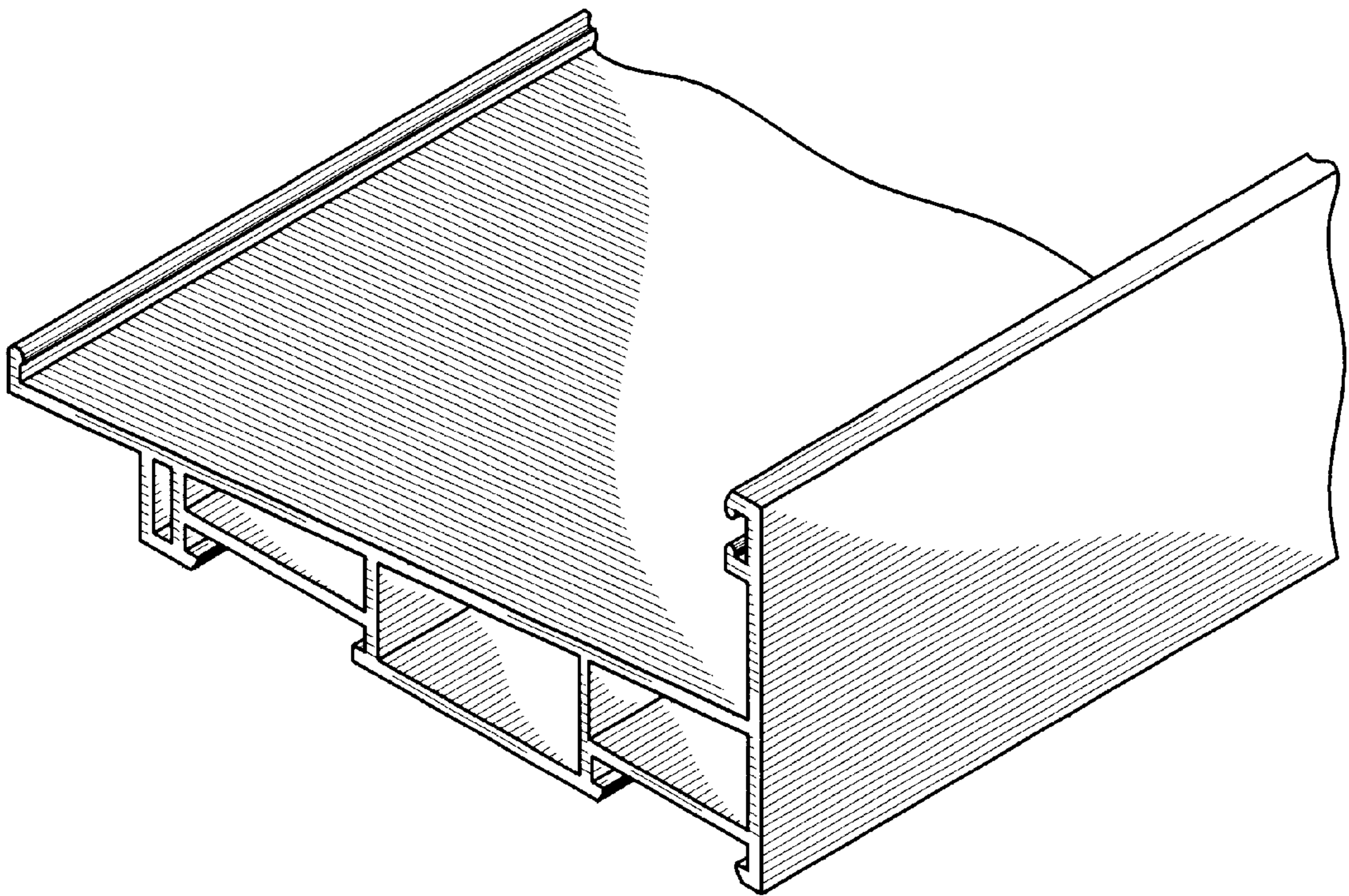
The ornamental design for a replacement sill for double and single hung window, as shown and described.

**DESCRIPTION**

The FIGURE is a front perspective view of a replacement sill for double and single hung window, showing our new design, the rear perspective view being a mirror image thereof, and is shown fragmented indicating indefinite length.

**1 Claim, 1 Drawing Sheet**





THE FIGURE