

US00D432678S

United States Patent [19]

Habeck et al.

[11] **Patent Number: Des. 432,678**

[45] **Date of Patent: ** Oct. 24, 2000**

[54] **J-CHANNEL SILL FOR DOUBLE AND SINGLE HUNG WINDOW**

[75] Inventors: **Jerome Carl Habeck, Holt; Dennis C. Westphal, Parma, both of Mich.; David S. Levine, King of Prussia; Stanley Gursky, Yardley, both of Pa.**

[73] Assignee: **CertainTeed Corporation, Valley Forge, Pa.**

[**] Term: **14 Years**

[21] Appl. No.: **29/119,356**

[22] Filed: **Feb. 28, 2000**

[51] **LOC (7) Cl. 25-01**

[52] **U.S. Cl. D25/124**

[58] **Field of Search D25/60, 124, 125, D25/52; 52/204.5, 230.3, 230.4, 230.5; 49/404, 304, 410, 411, 412, 413, 414, 504, 505, DIG. 2, 419, 423**

[56] **References Cited**

U.S. PATENT DOCUMENTS

D. 380,561 7/1997 Colitto D25/124

D. 391,649 3/1998 Opielski et al. D25/124
D. 402,058 12/1998 Leonelli D25/124
4,048,774 9/1977 Yamamoto 49/404
4,503,641 3/1985 Swan 49/404
4,793,114 12/1988 Pacca 52/204.5

Primary Examiner—Doris Clark
Attorney, Agent, or Firm—Duane Morris & Heckscher, LLP

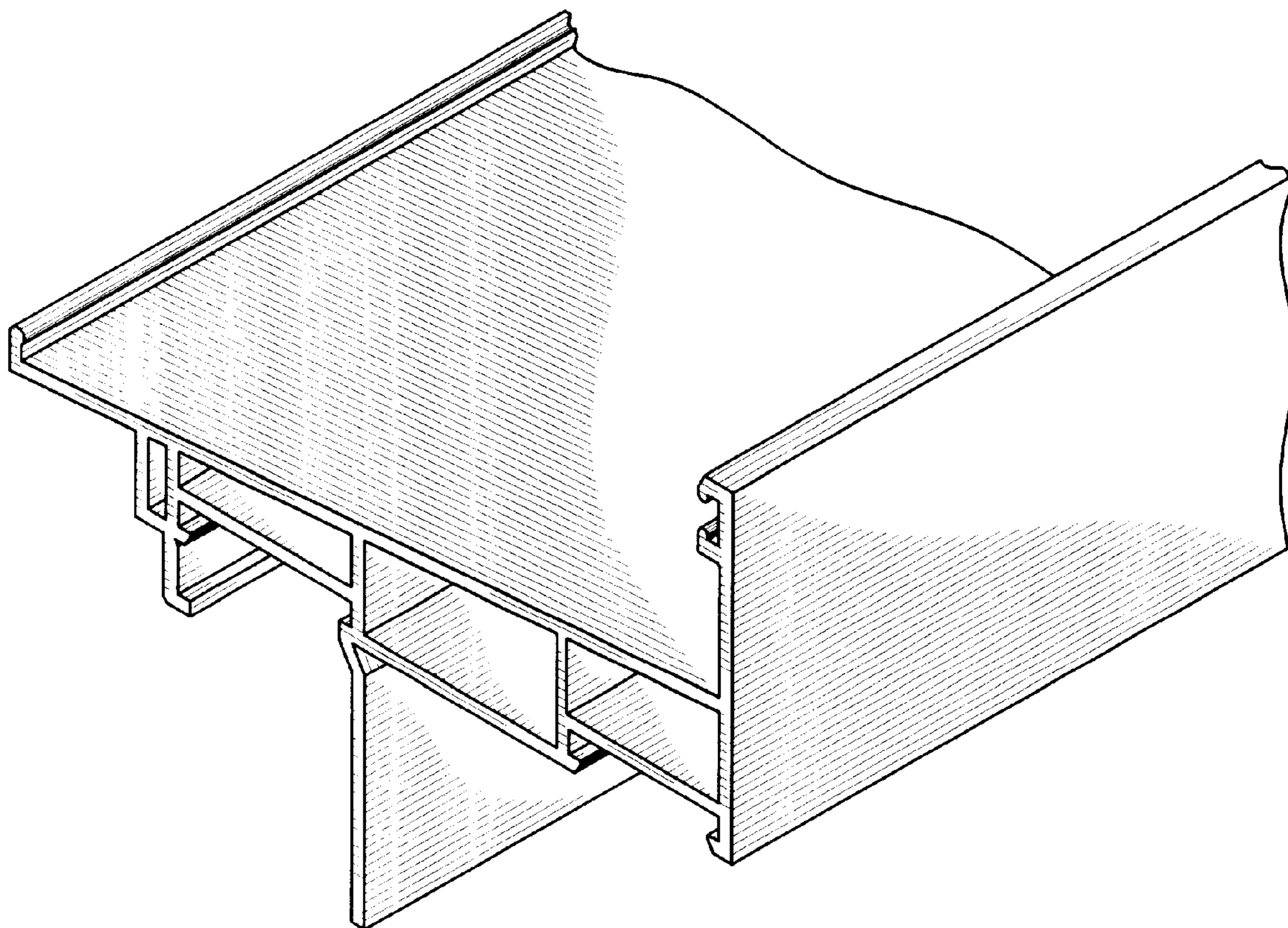
[57] **CLAIM**

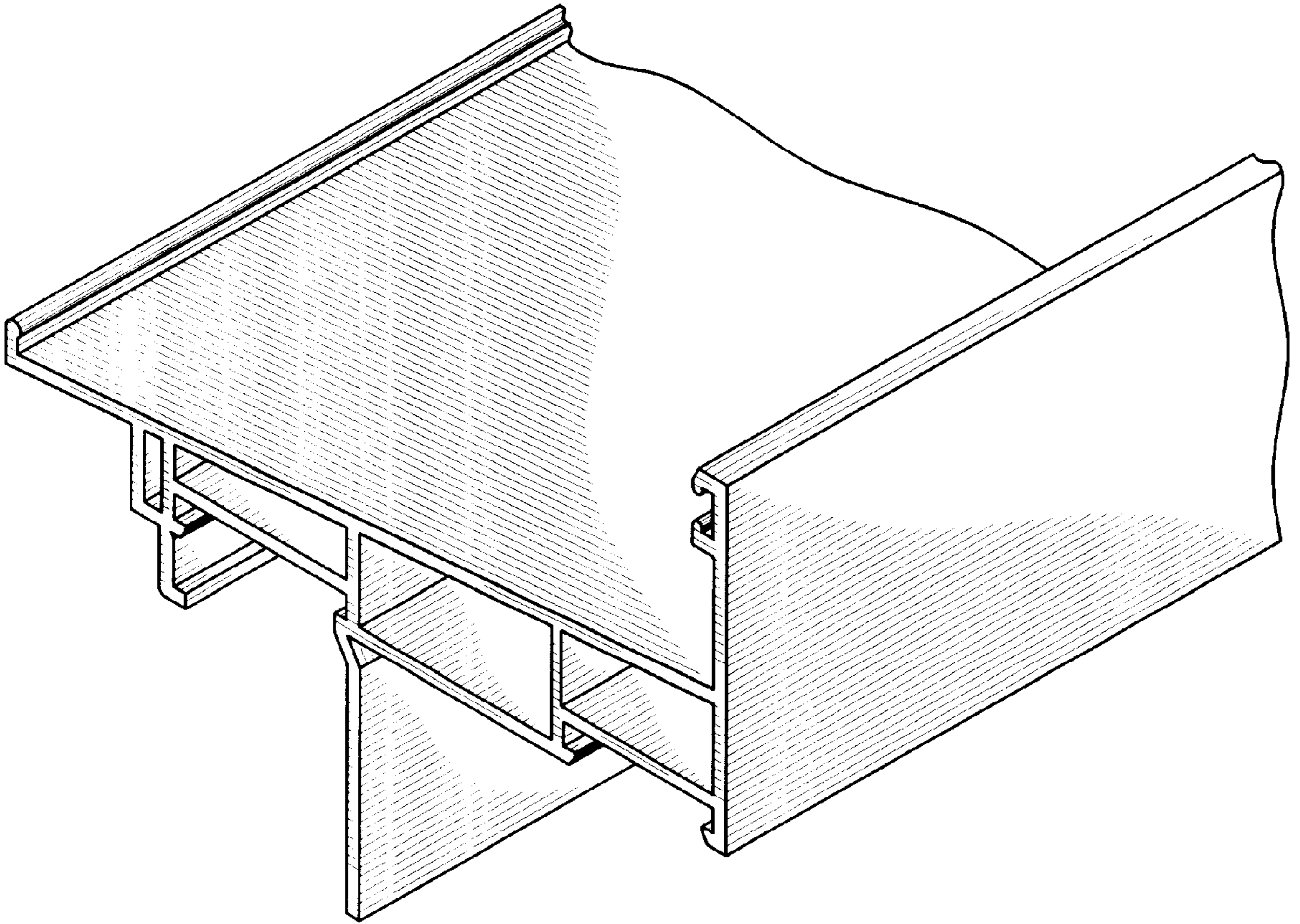
The ornamental design for a J-channel sill for double and single hung window, as shown and described.

DESCRIPTION

The FIGURE is a front perspective view of a J-channel sill for double and single hung window, showing our new design, the rear perspective view being a mirror image thereof, and is shown fragmented indicating indefinite length.

1 Claim, 1 Drawing Sheet





THE FIGURE