



US00D432677S

United States Patent [19]

[11] Patent Number: **Des. 432,677**

Habeck et al.

[45] Date of Patent: **** Oct. 24, 2000**

[54] **J-CHANNEL GLIDER FRAME FOR SINGLE GLIDER WINDOW**

[56] **References Cited**

[75] Inventors: **Jerome Carl Habeck, Holt; Dennis C. Westphal, Parma, both of Mich.; David S. Levine, King of Prussia; Stanley Gursky, Yardley, both of Pa.**

U.S. PATENT DOCUMENTS

D. 407,506 3/1999 Hersh et al. D25/124
4,028,849 6/1977 Anderson 49/181

[73] Assignee: **CertainTeed Corporation, Valley Forge, Pa.**

Primary Examiner—Doris Clark
Attorney, Agent, or Firm—Duane Morris & Heckscher, LLP

[**] Term: **14 Years**

[57] **CLAIM**

The ornamental design for a J-channel glider frame for single glider window, as shown and described.

[21] Appl. No.: **29/118,721**

DESCRIPTION

[22] Filed: **Feb. 14, 2000**

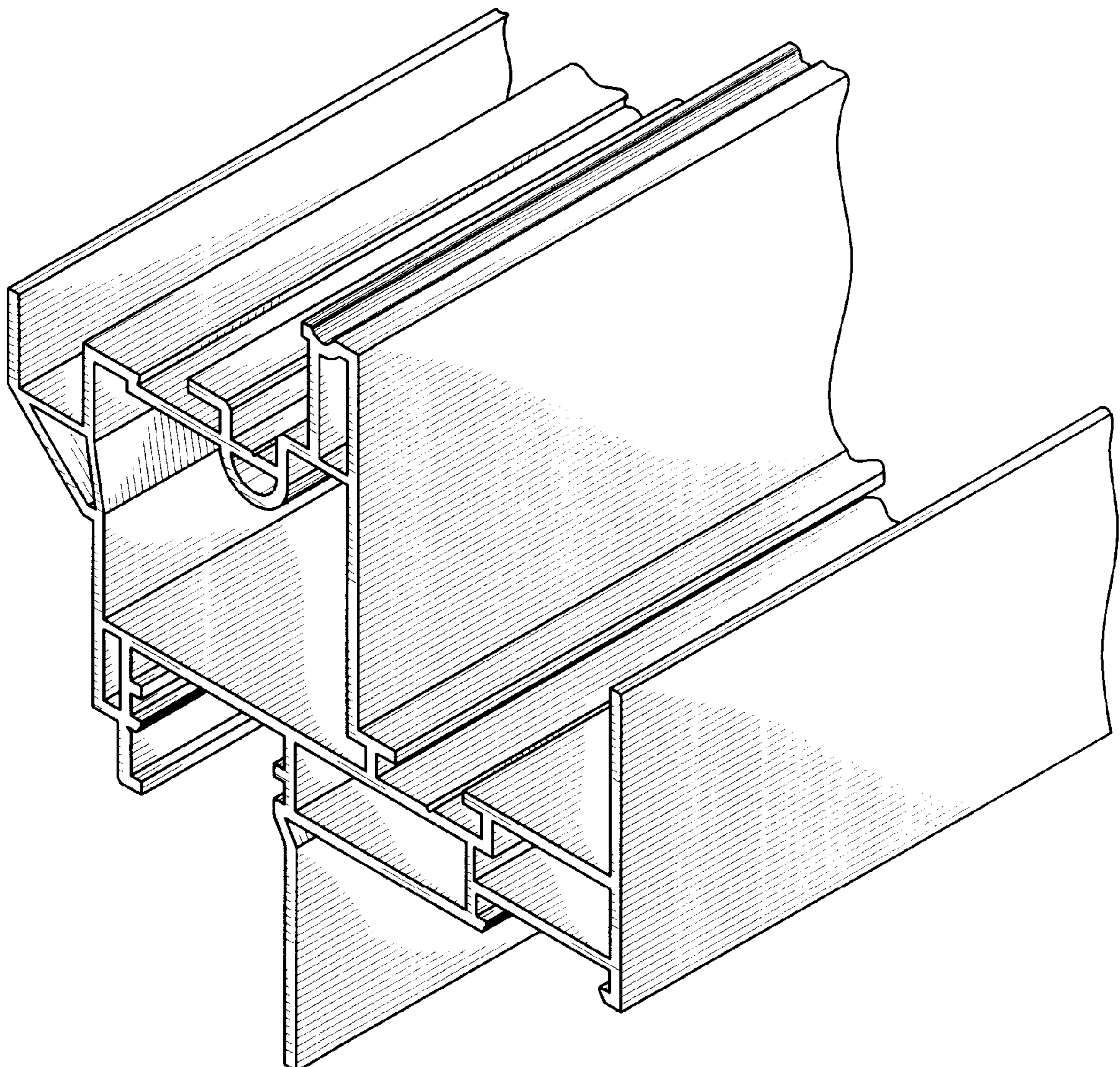
The FIGURE is a front perspective view of a J channel glider frame for single glider window showing our new design, the rear perspective view being a mirror image thereof, and is shown fragmented indicating indefinite length.

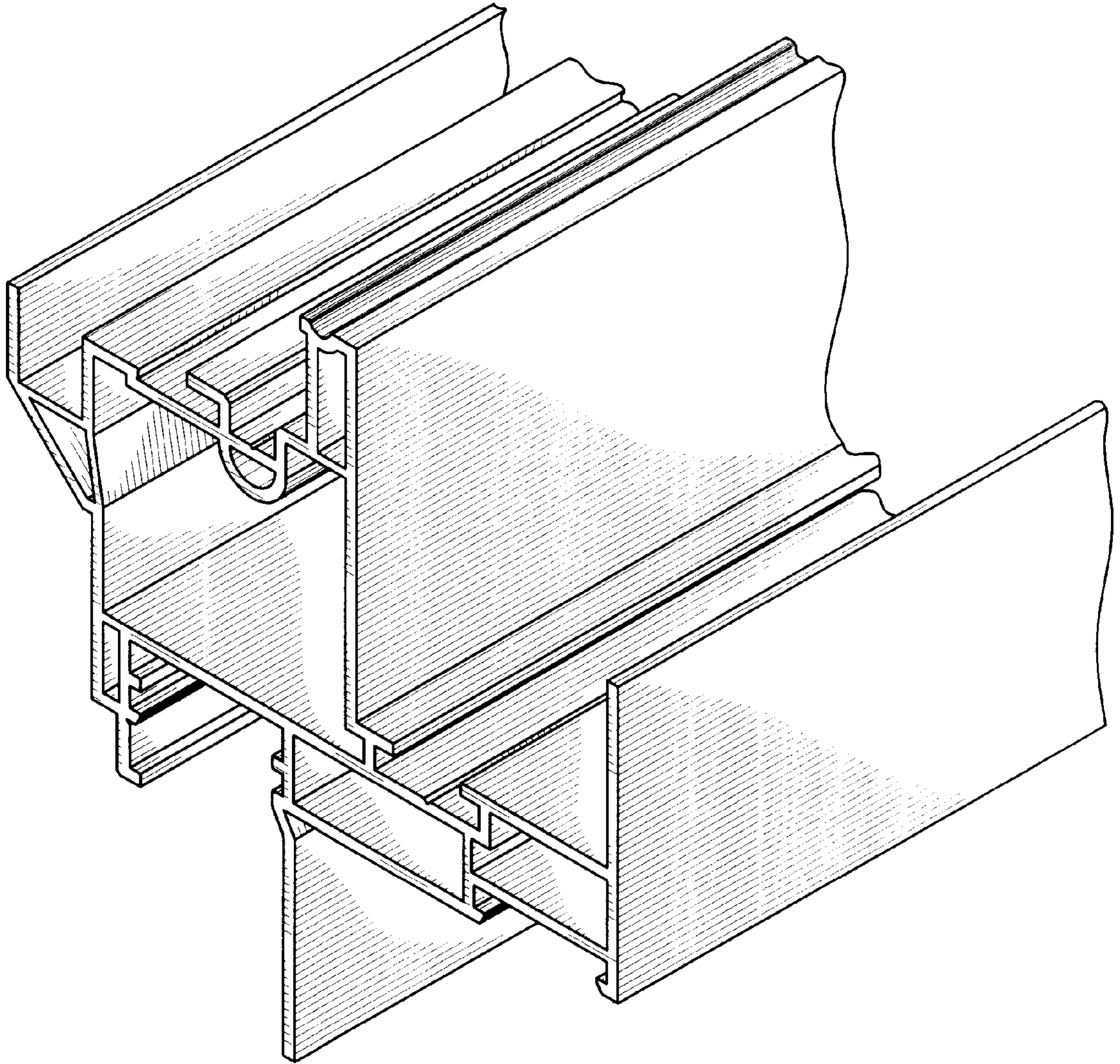
[51] **LOC (7) Cl.** **25-01**

[52] **U.S. Cl.** **D25/124**

[58] **Field of Search** D25/60, 52, 124,
D25/125; 49/504, 446, 454, 453, 455, 181,
489, 485

1 Claim, 1 Drawing Sheet





THE FIGURE