



US00D432674S

**United States Patent** [19]  
**Grosfillex**

[11] **Patent Number: Des. 432,674**

[45] **Date of Patent: \*\* Oct. 24, 2000**

[54] **PANEL CONNECTING AND FINISHING STRIP**

[75] Inventor: **Raymond Grosfillex**, Oyonnax, France

[73] Assignee: **Grosfillex Sarl**, Oyonnax, France

[\*\*] Term: **14 Years**

[21] Appl. No.: **29/118,067**

[22] Filed: **Feb. 3, 2000**

**Related U.S. Application Data**

[62] Division of application No. 29/093,076, Sep. 2, 1998, Pat. No. Des. 423,119.

[30] **Foreign Application Priority Data**

Mar. 2, 1998 [XH] Hague Agreement ..... DMA/004031

[51] **LOC (7) Cl.** ..... **25-01**

[52] **U.S. Cl.** ..... **D25/124**

[58] **Field of Search** ..... D25/119, 120, D25/121, 124, 136; 52/470, 471, 465, 468, 469

[56] **References Cited**

**U.S. PATENT DOCUMENTS**

D. 269,910 7/1983 Johansson ..... D25/124  
4,689,930 9/1987 Menchetti ..... 52/468

*Primary Examiner*—Doris Clark  
*Attorney, Agent, or Firm*—Dowell & Dowell, P.C.

[57] **CLAIM**

The ornamental design for a panel connecting and finishing strip, as shown and described.

**DESCRIPTION**

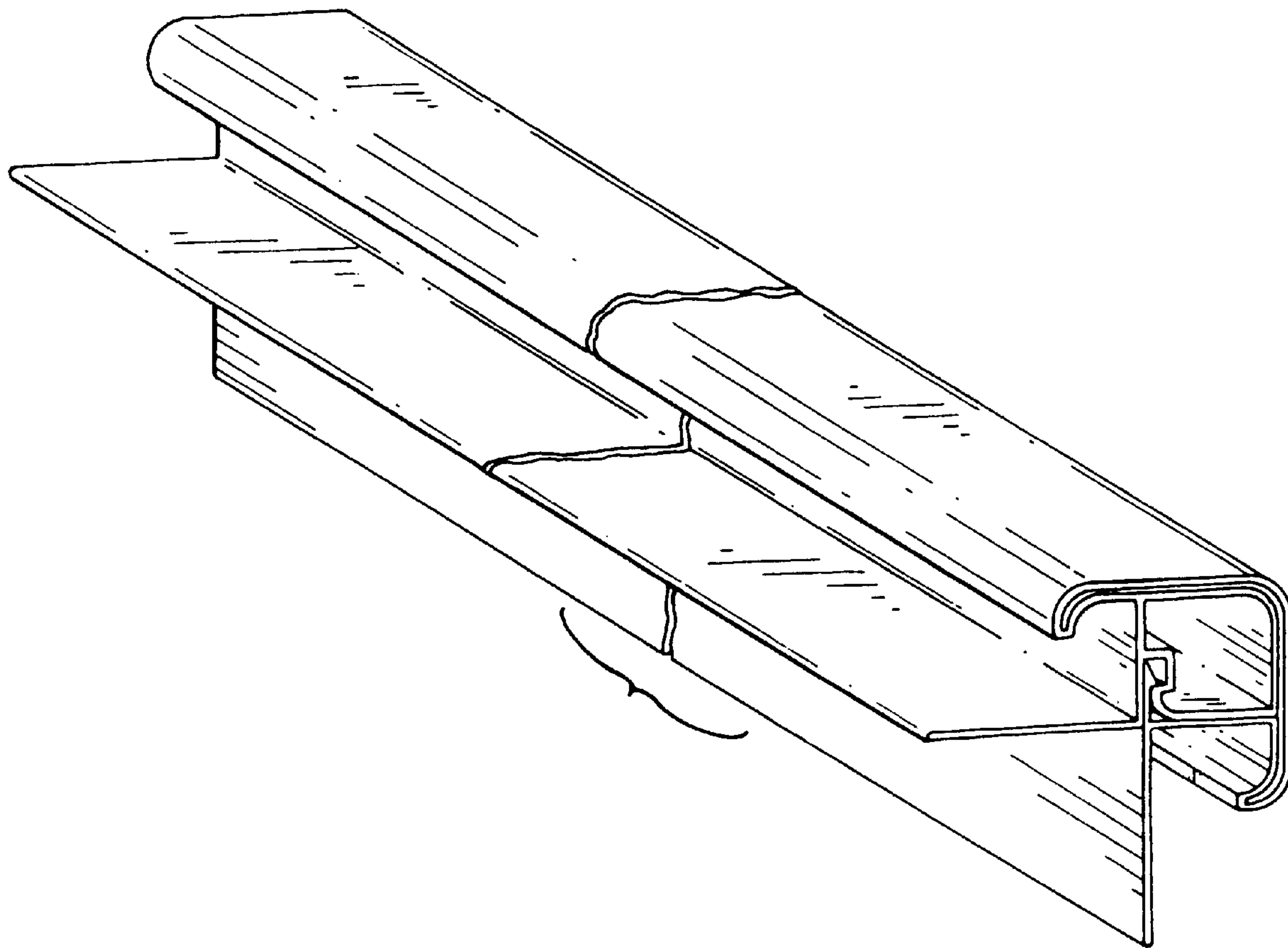
FIG. 1 is a top perspective view of a panel connecting and finishing strip showing my new design;

FIG. 2 is a rear elevational view;

FIG. 3 is top plan view; and,

FIG. 4 is a bottom plan view thereof.

**1 Claim, 2 Drawing Sheets**



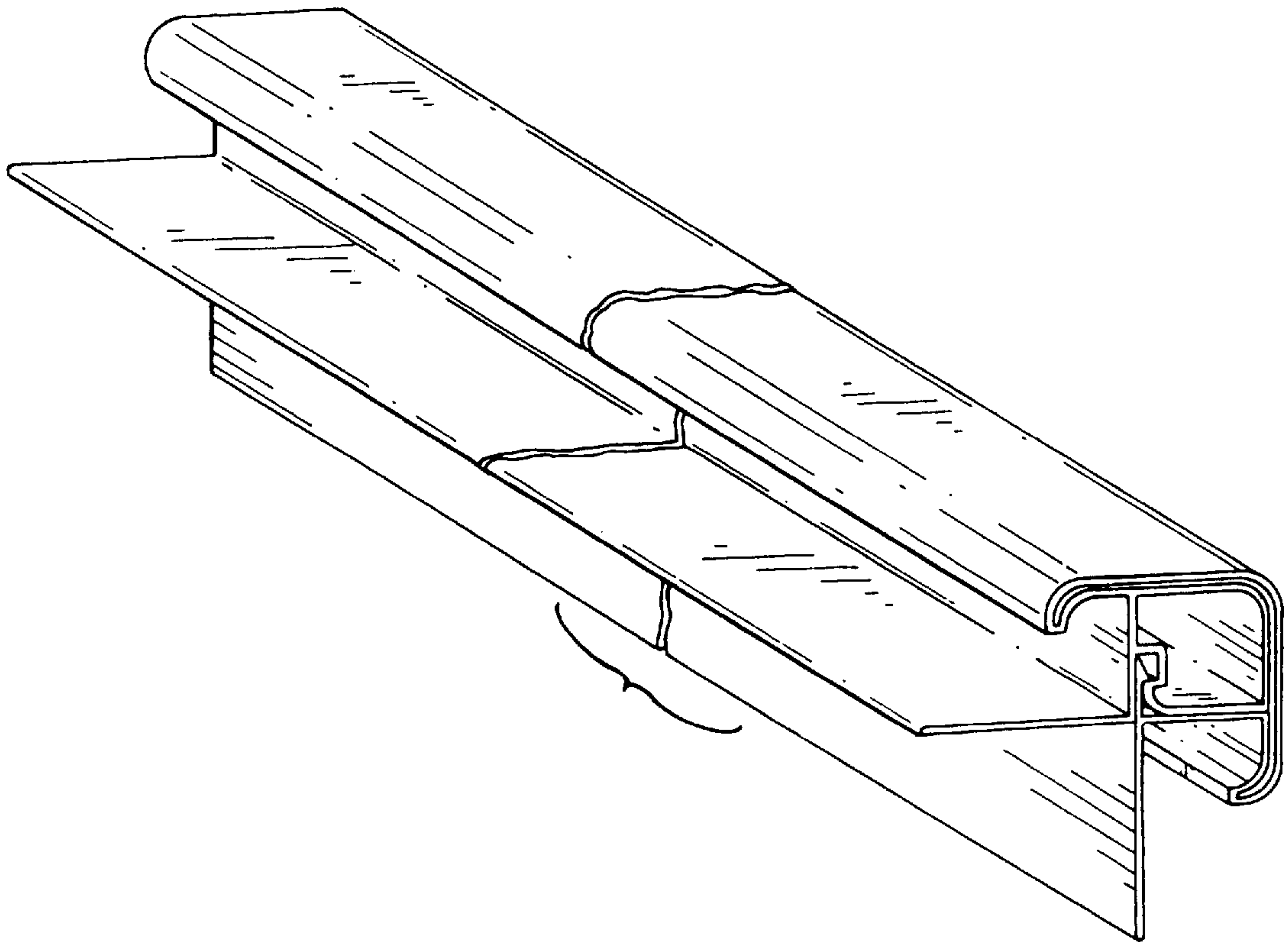


FIG. 1

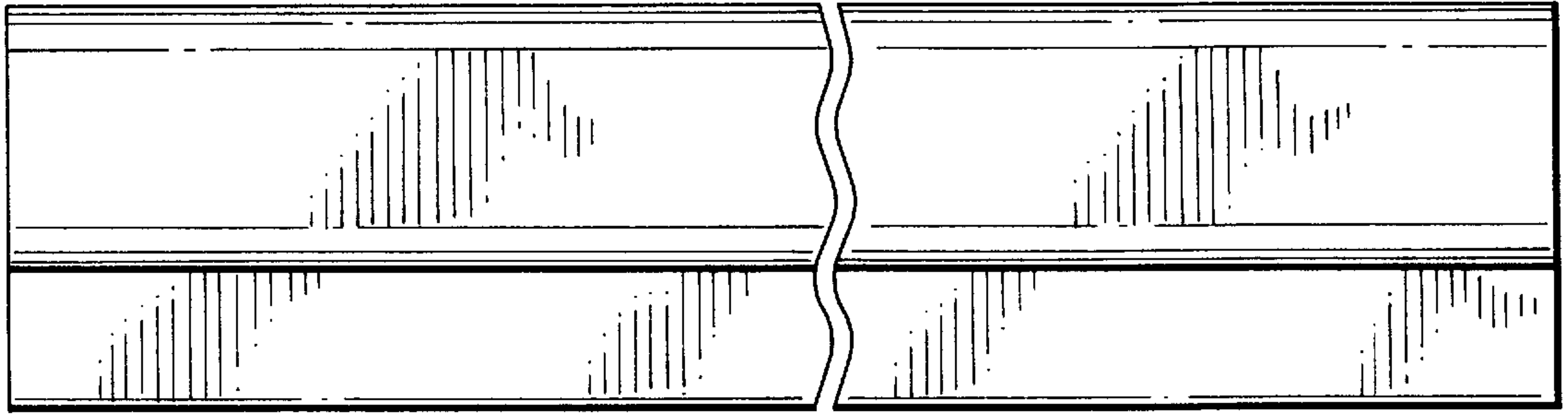


FIG. 2

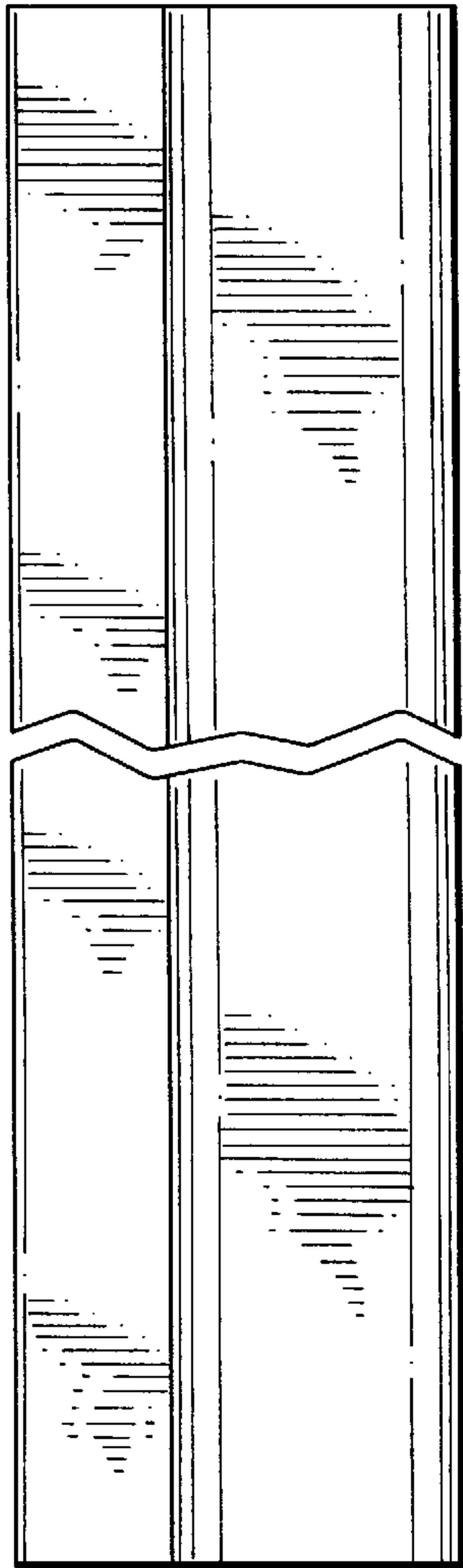


FIG. 3

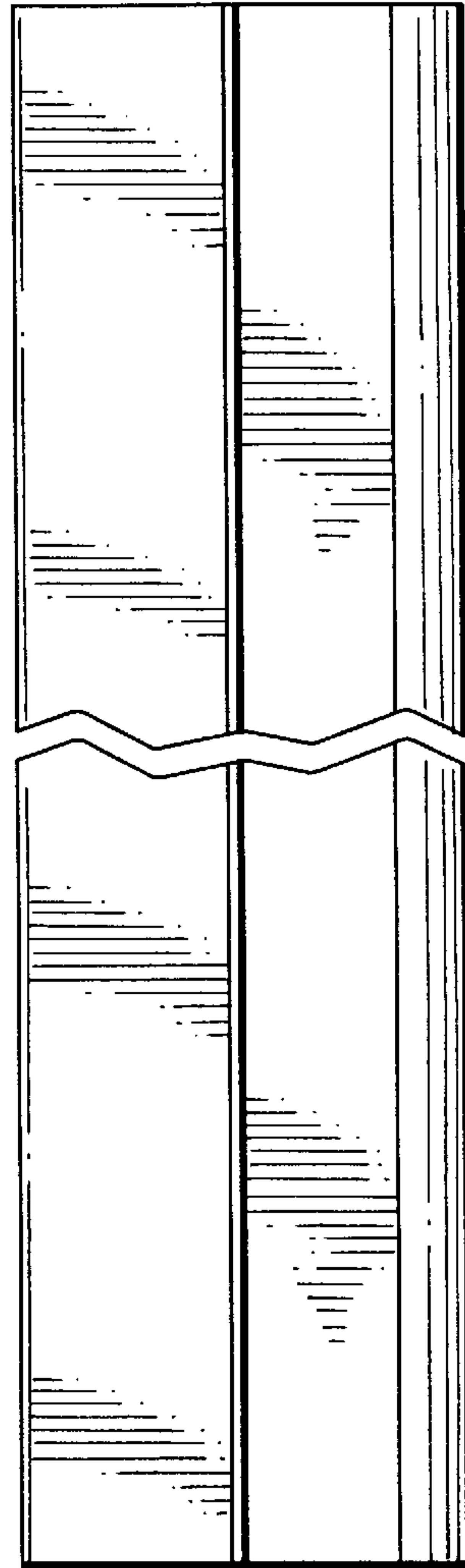


FIG. 4