



US00D432672S

United States Patent [19]
Grosfillex

[11] **Patent Number: Des. 432,672**

[45] **Date of Patent: ** Oct. 24, 2000**

[54] **PANEL CONNECTING AND FINISHING STRIP**

[75] Inventor: **Raymond Grosfillex**, Oyonnax, France

[73] Assignee: **Grosfillex Sarl**, Oyonnax, France

[**] Term: **14 Years**

[21] Appl. No.: **29/118,061**

[22] Filed: **Feb. 3, 2000**

Related U.S. Application Data

[62] Division of application No. 29/093,074, Sep. 2, 1998, Pat. No. Des. 423,118.

[30] **Foreign Application Priority Data**

Mar. 2, 1998 [XH] Hague Agreement DMA/004031

[51] **LOC (7) Cl.** **25-01**

[52] **U.S. Cl.** **D25/124**

[58] **Field of Search** D25/119, 120, D25/121, 124, 136; 52/465, 468, 469, 470

[56] **References Cited**

U.S. PATENT DOCUMENTS

D. 269,910 7/1983 Johansson D25/124
4,689,930 9/1987 Menchetti 52/468

Primary Examiner—Doris Clark
Attorney, Agent, or Firm—Dowell & Dowell, P.C.

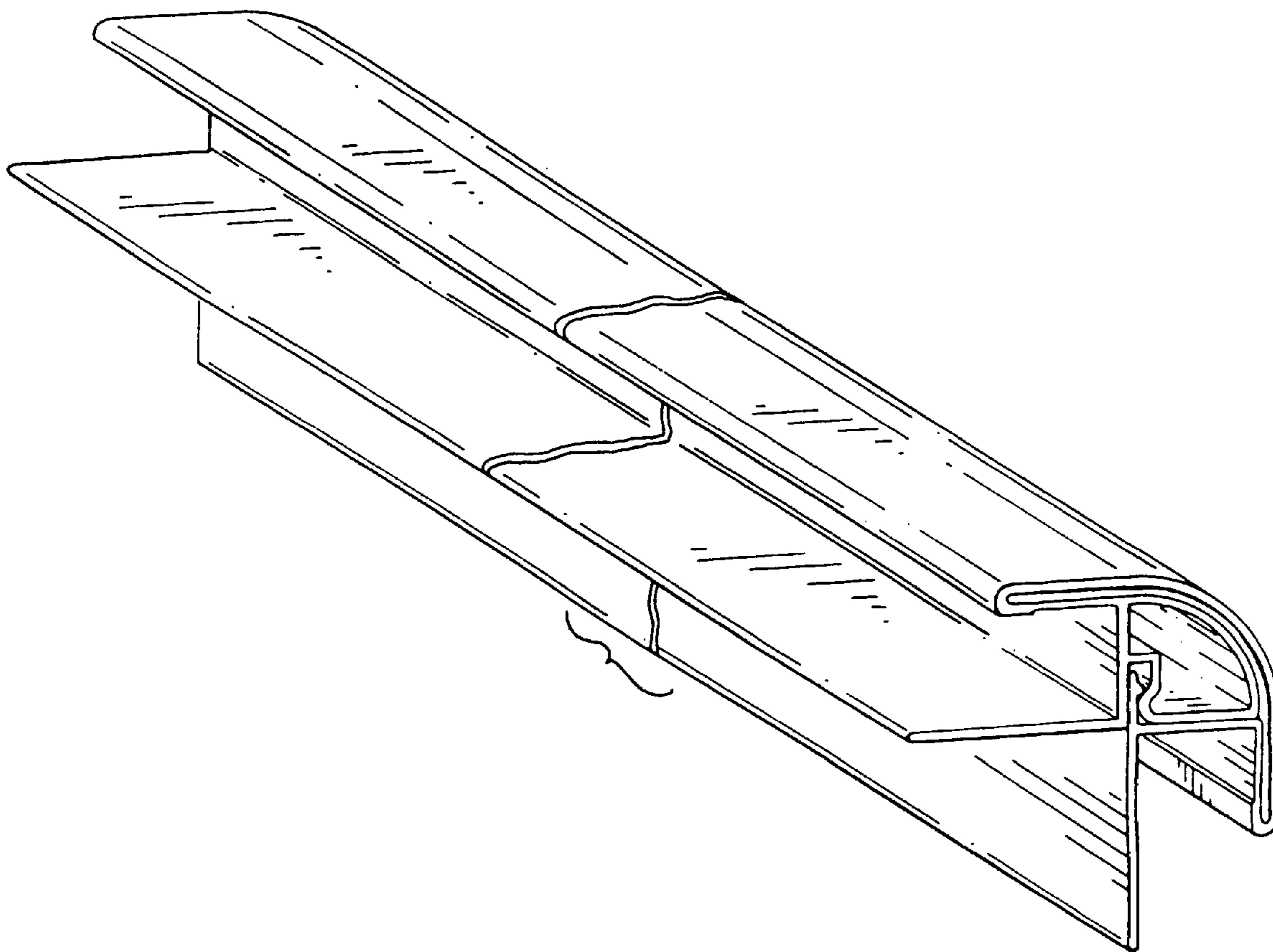
[57] **CLAIM**

The ornamental design for a panel connecting and finishing strip, as shown and described.

DESCRIPTION

FIG. 1 is a top perspective view of a panel connecting and finishing strip showing my new design;
FIG. 2 is a rear elevational view;
FIG. 3 is top plan view; and,
FIG. 4 is a bottom plan view thereof.

1 Claim, 2 Drawing Sheets



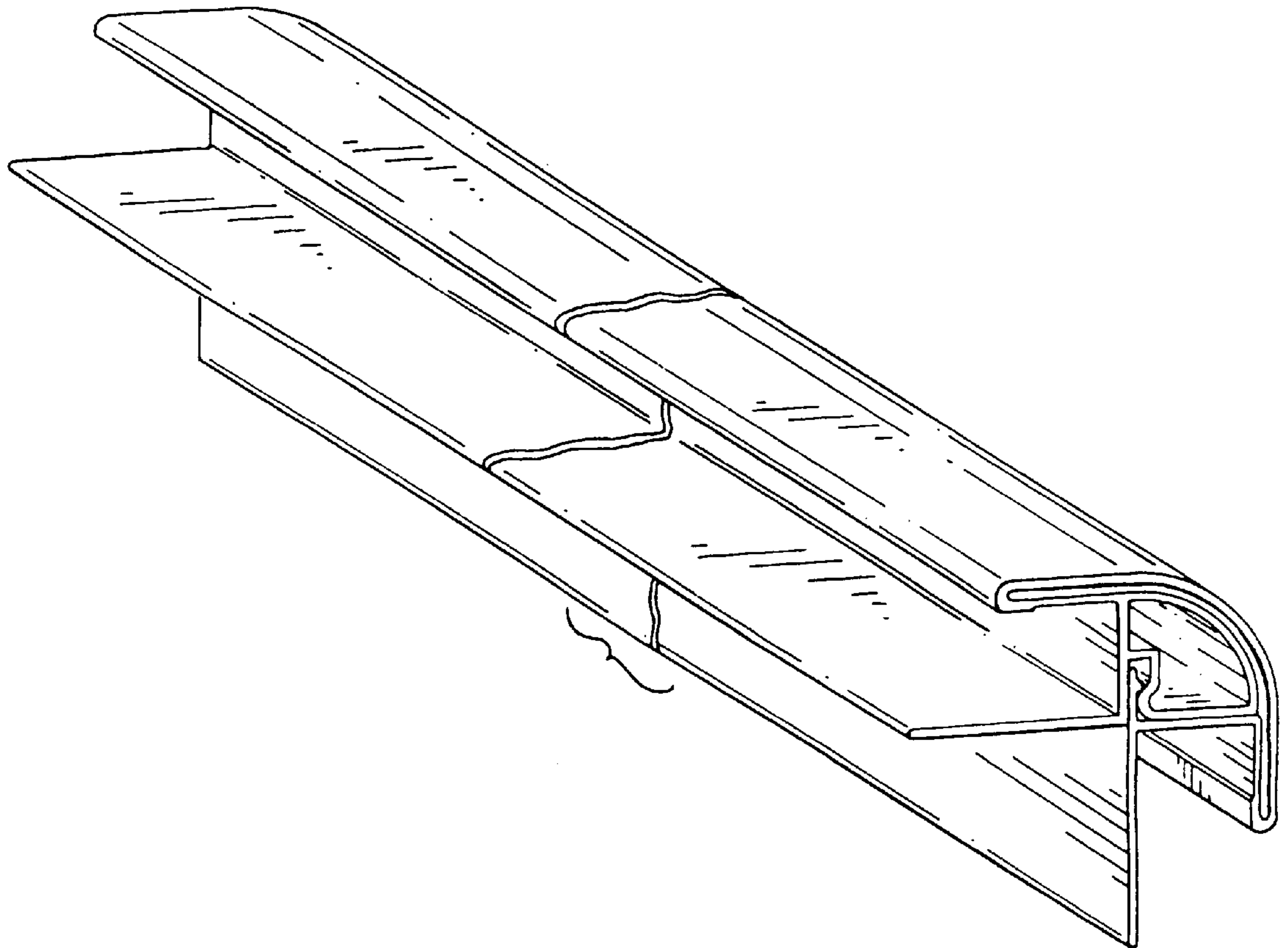


FIG. 1

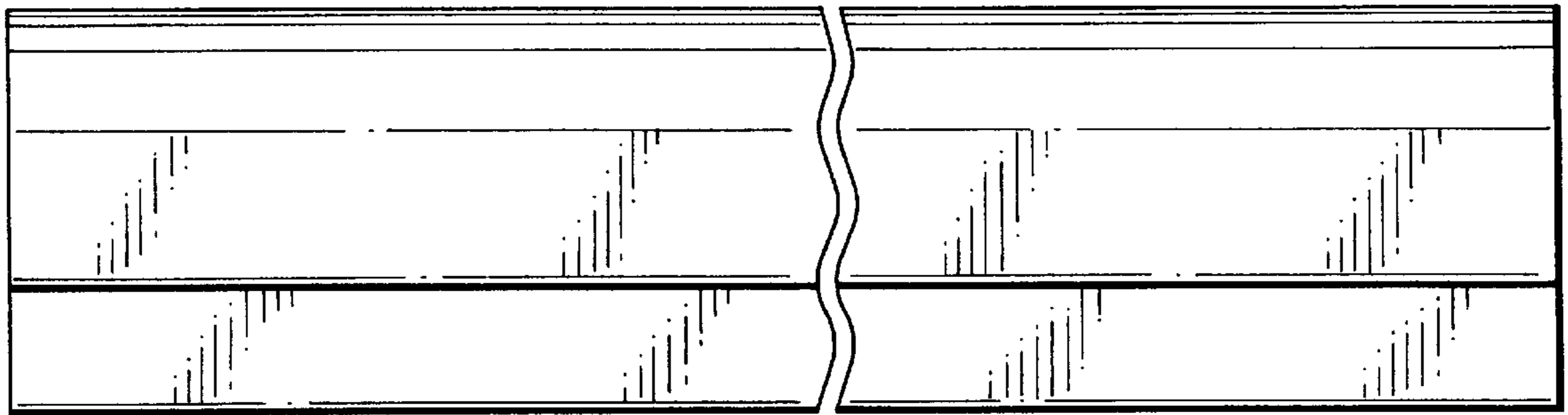


FIG. 2

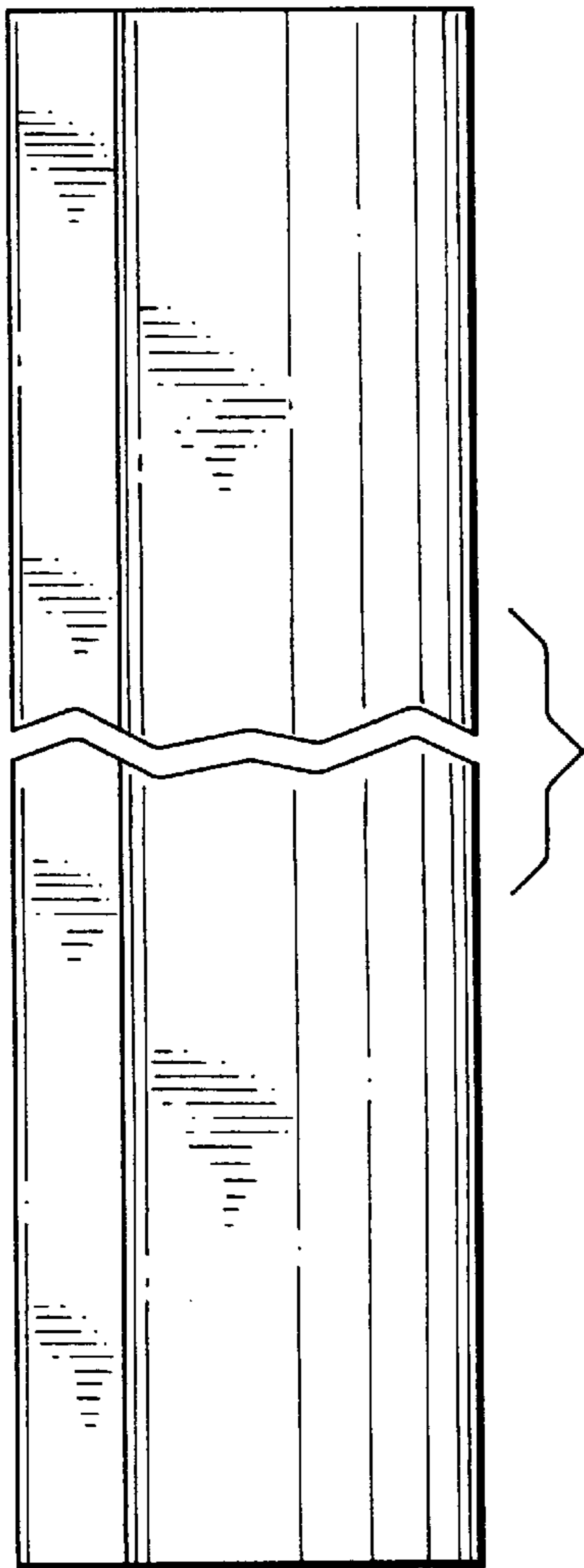


FIG. 3

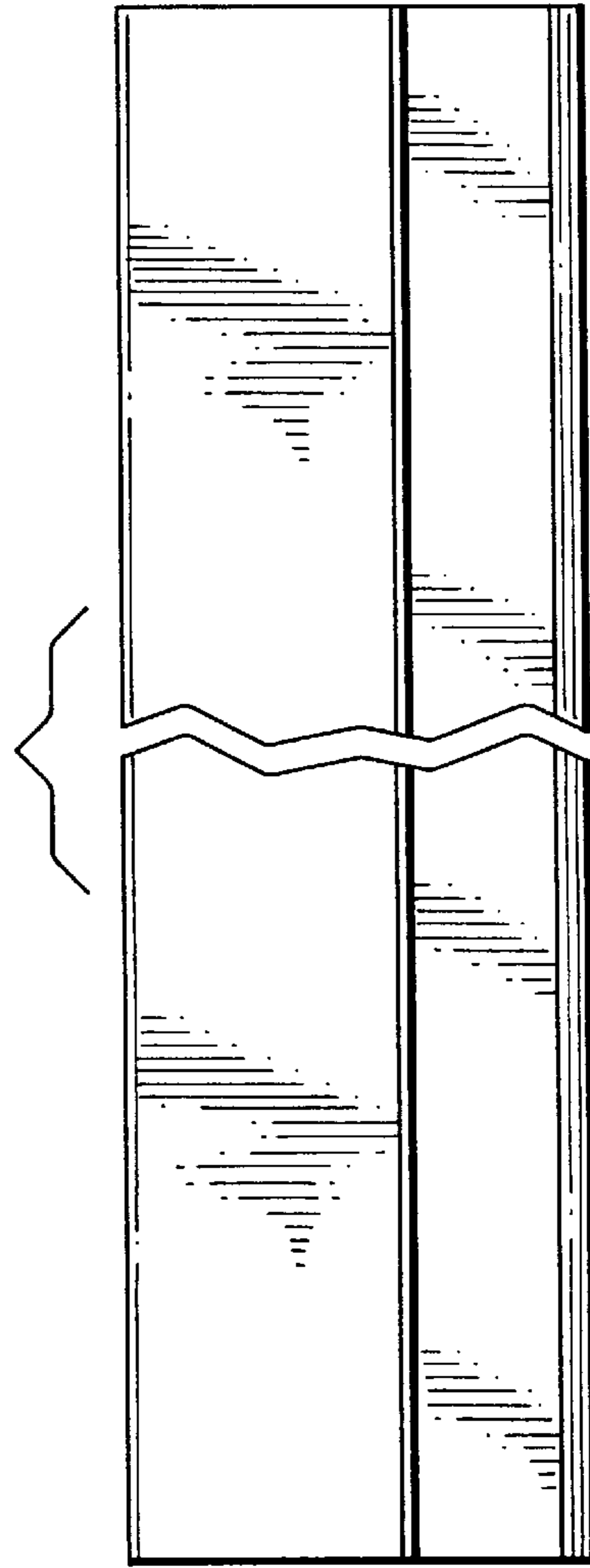


FIG. 4