



US00D432670S

United States Patent [19]
Horrell

[11] **Patent Number: Des. 432,670**

[45] **Date of Patent: ** Oct. 24, 2000**

[54] **COLLAPSIBLE TRESTLE**

[76] Inventor: **Stephen James Horrell**, 15 Westburn Terrace, Christchurch, Burnside, New Zealand

[**] Term: **14 Years**

[21] Appl. No.: **29/084,166**

[22] Filed: **Feb. 26, 1998**

[51] **LOC (7) Cl.** **25-04**

[52] **U.S. Cl.** **D25/67**

[58] **Field of Search** D25/62, 67; 182/181, 182/153, 179, 224

[56] **References Cited**

U.S. PATENT DOCUMENTS

D. 308,728	6/1990	Carlson	D25/67
4,403,678	9/1983	Zieg	182/153
4,433,753	2/1984	Watson	182/224

Primary Examiner—Doris Clark
Attorney, Agent, or Firm—Greer, Burns & Crain, Ltd.

[57] **CLAIM**

The ornamental design for a collapsible trestle, as shown and described.

DESCRIPTION

FIG. 1 is a top perspective view of the first embodiment of

the collapsible trestle, showing the board between the two ends being shortened in the center;

FIG. 2 is a side elevational view of the collapsible trestle of FIG. 1, showing the manner in which the board slides through the slots of the sides of the collapsible trestle, both sides are identical;

FIG. 3 is a top plan view of the collapsible trestle of FIG. 1;

FIG. 4 is a front view of the collapsible trestle of FIG. 1, the rear view being identical;

FIG. 5 is a bottom view of the collapsible trestle of FIG. 1;

FIG. 6 is a top perspective view of the second embodiment of the collapsible trestle, showing the board being shortened in the center;

FIG. 7 is a side elevational view of the collapsible trestle of FIG. 6, both sides are identical;

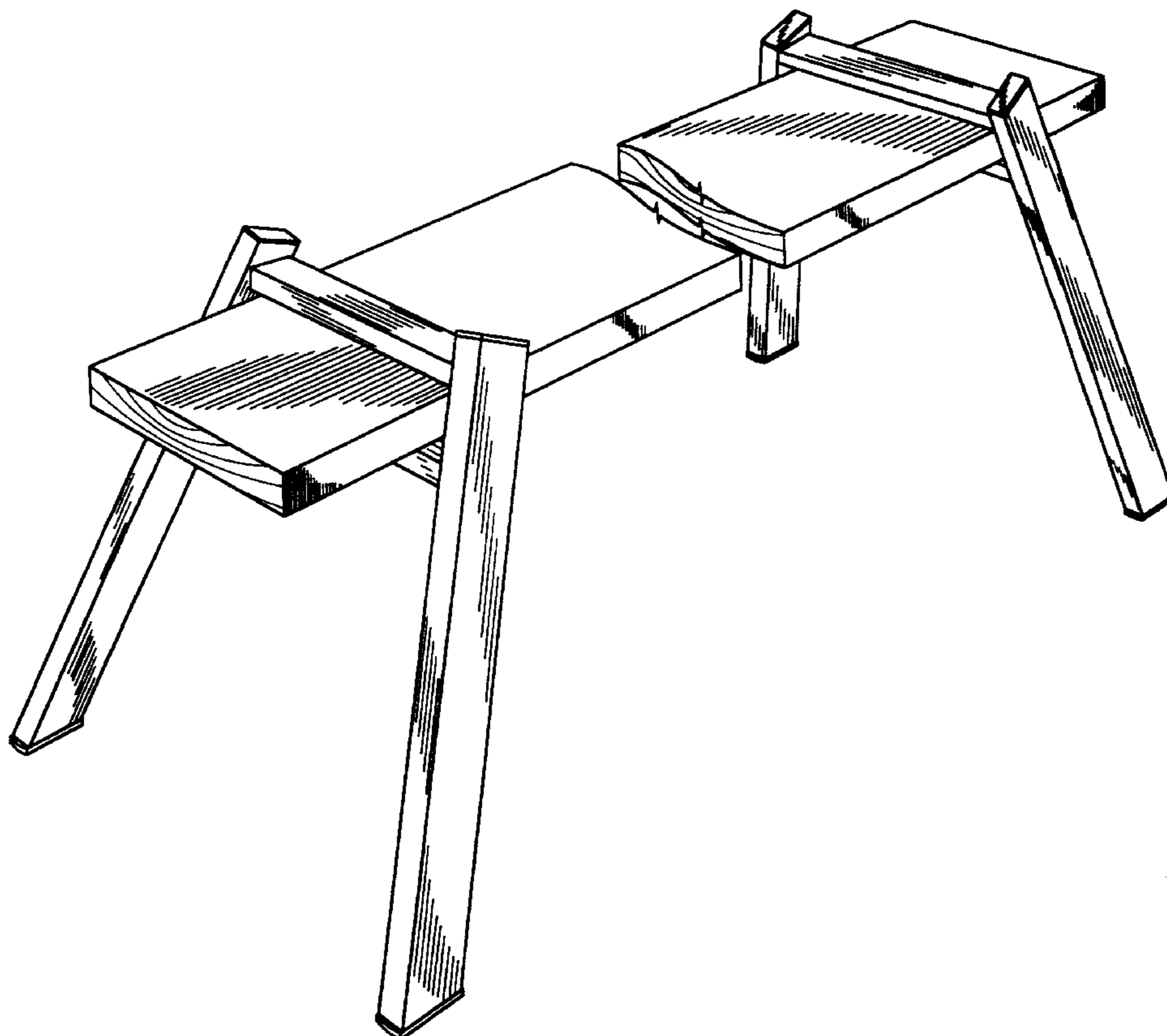
FIG. 8 is a top plan view of the collapsible trestle of FIG. 6;

FIG. 9 is a front view of the collapsible trestle of FIG. 6, the rear view being identical; and,

FIG. 10 is a bottom perspective view of the collapsible trestle of FIG. 6.

The collapsible trestle has been broken in the center, indicating indefinite length.

1 Claim, 10 Drawing Sheets



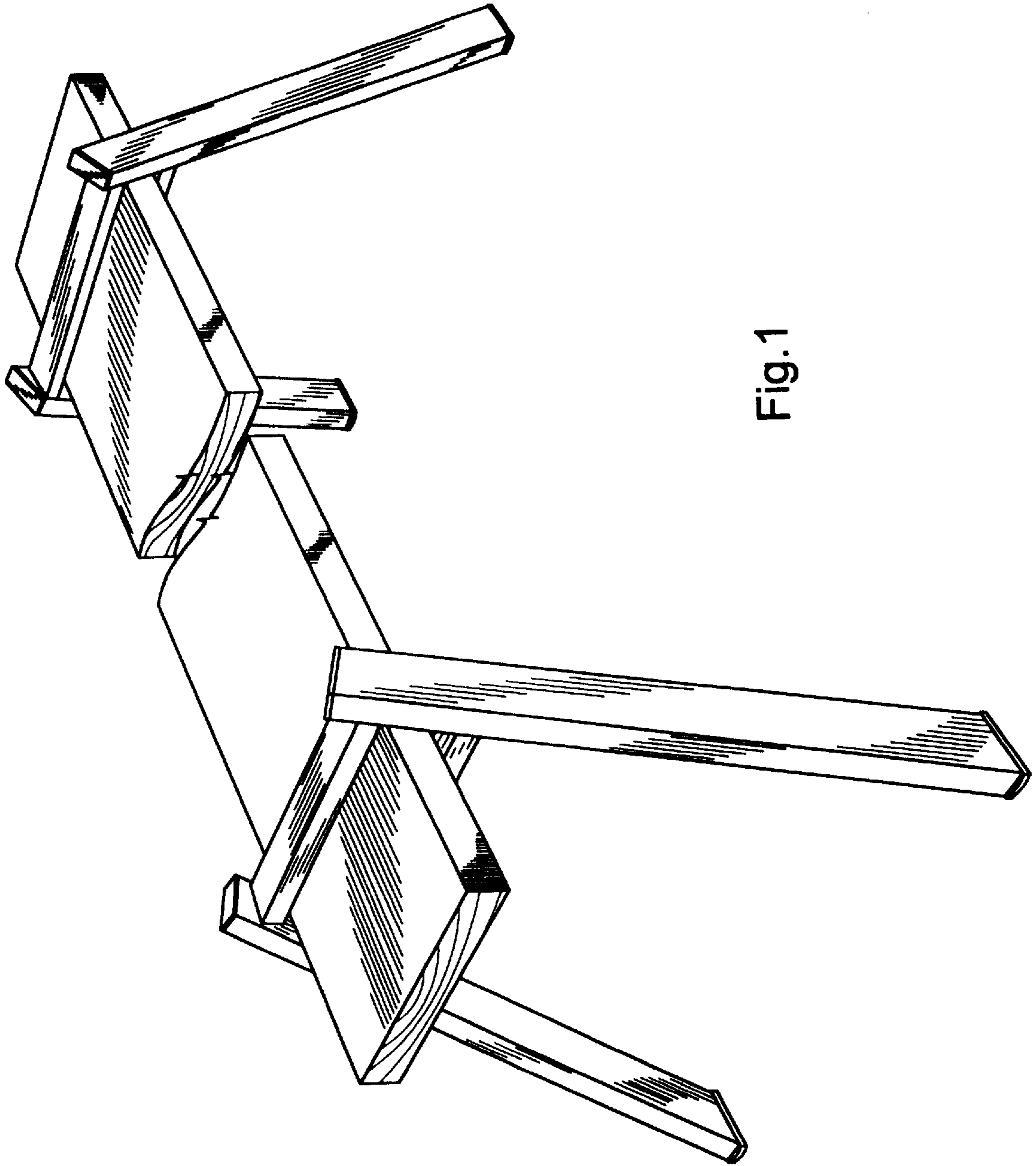


Fig. 1

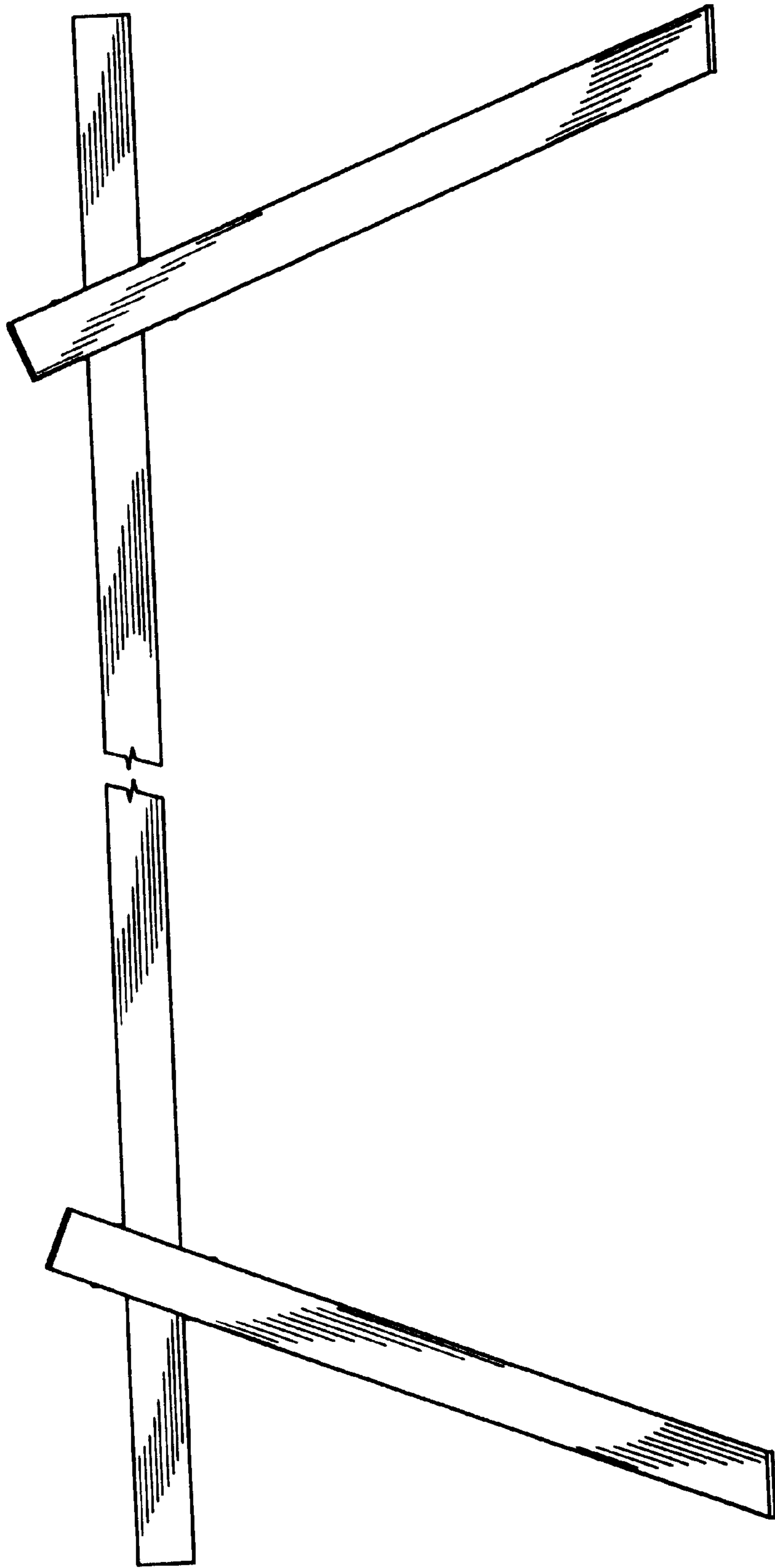


Fig.2

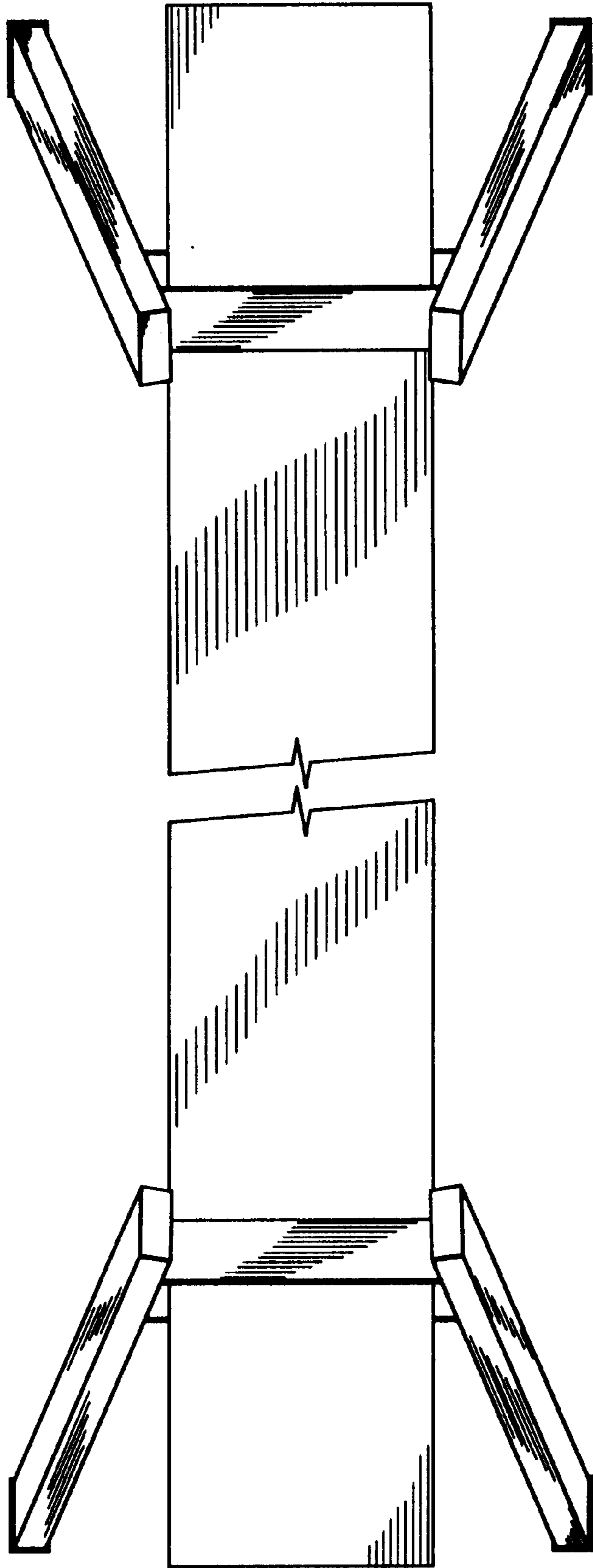


Fig. 3

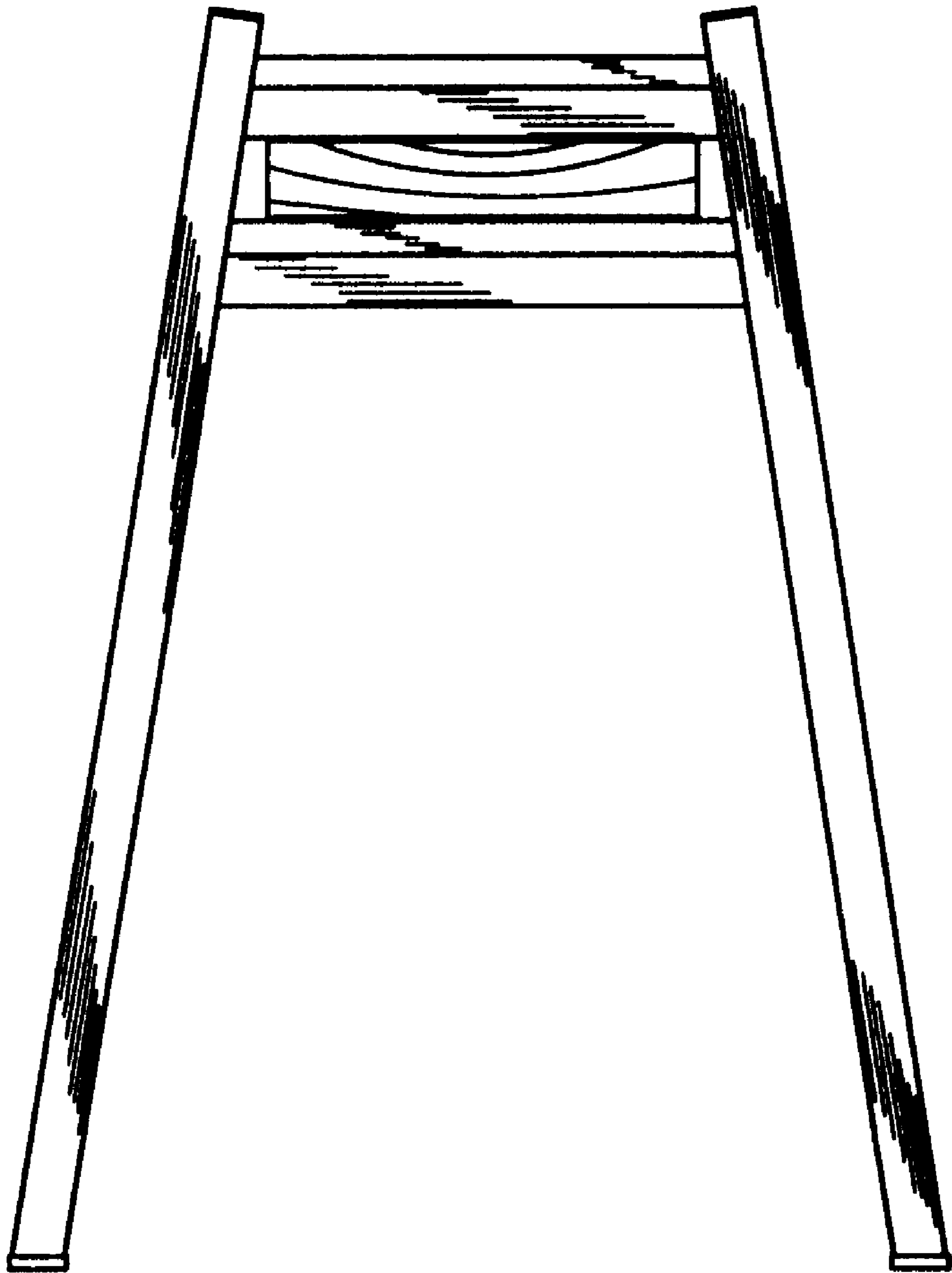


Fig.4

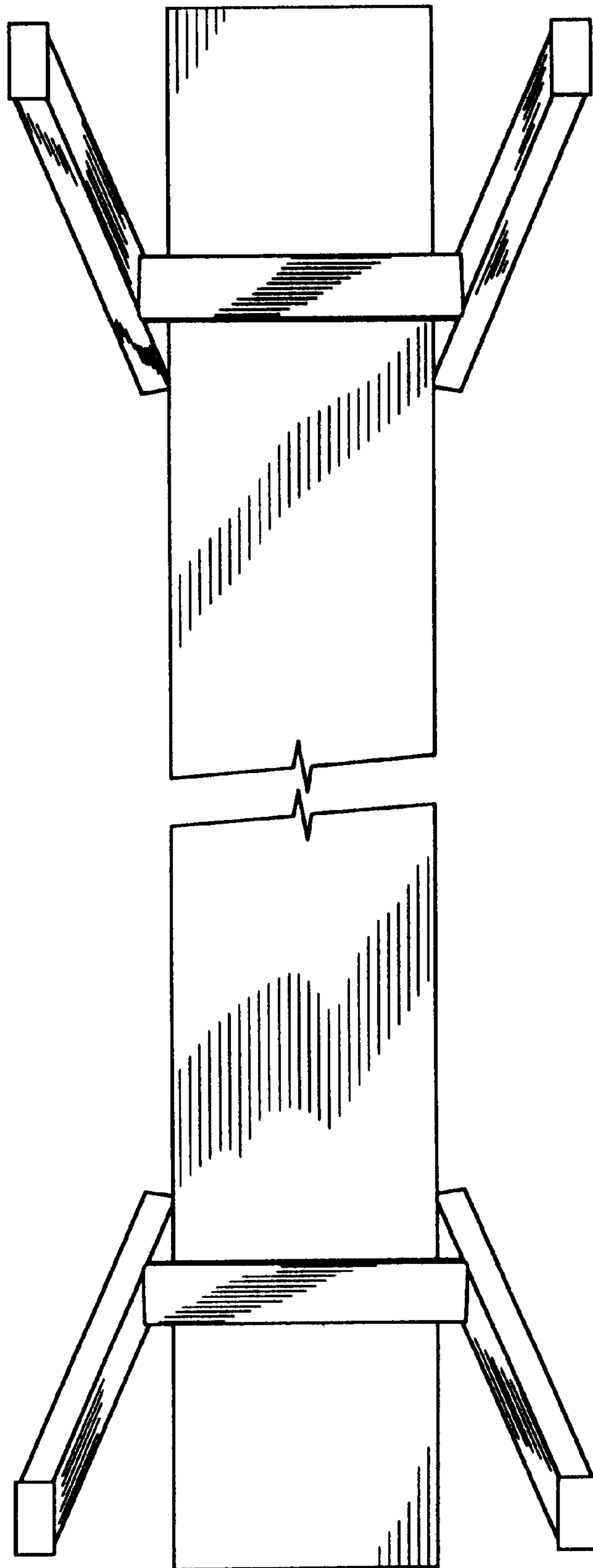


Fig. 5

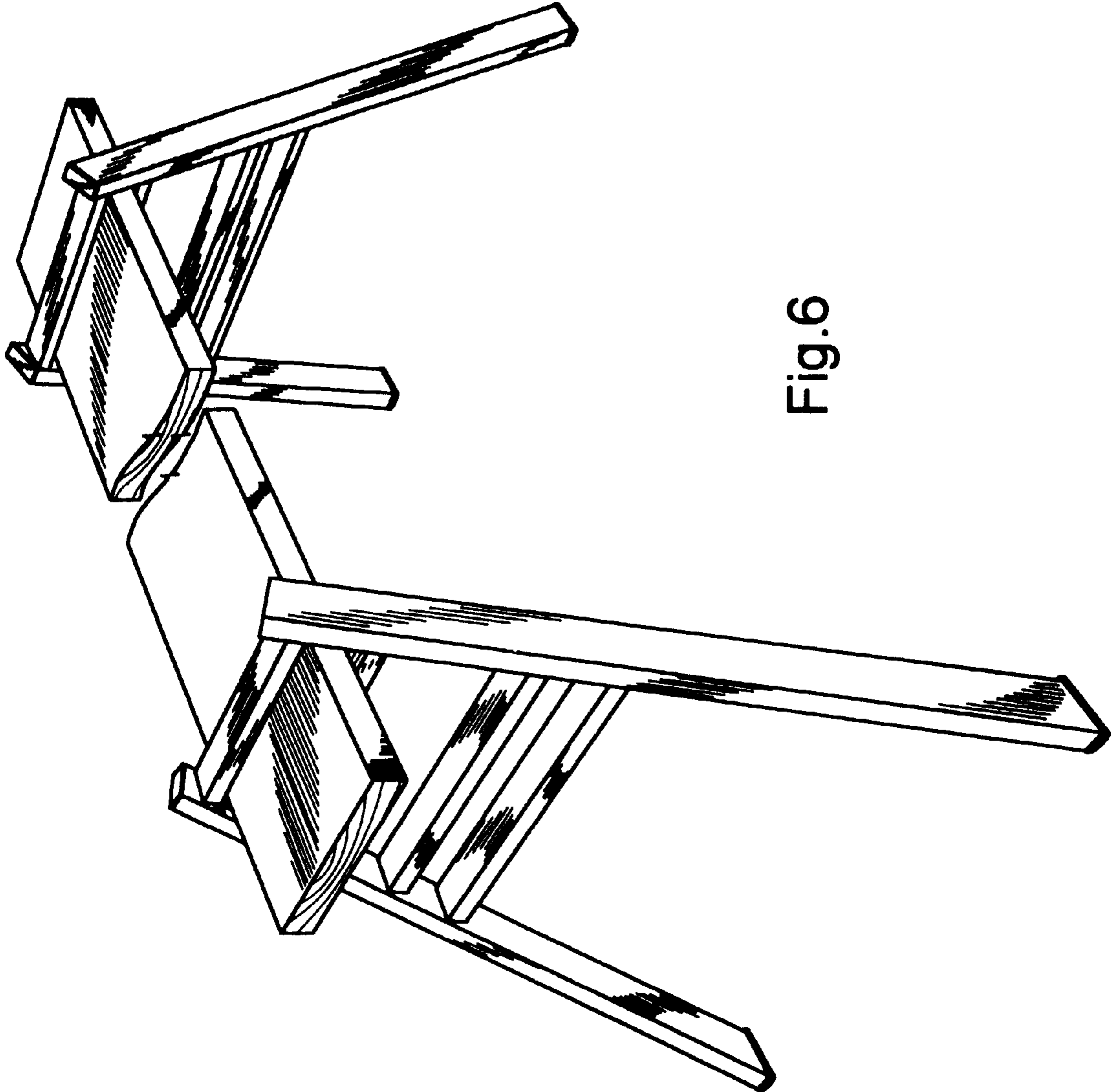


Fig. 6

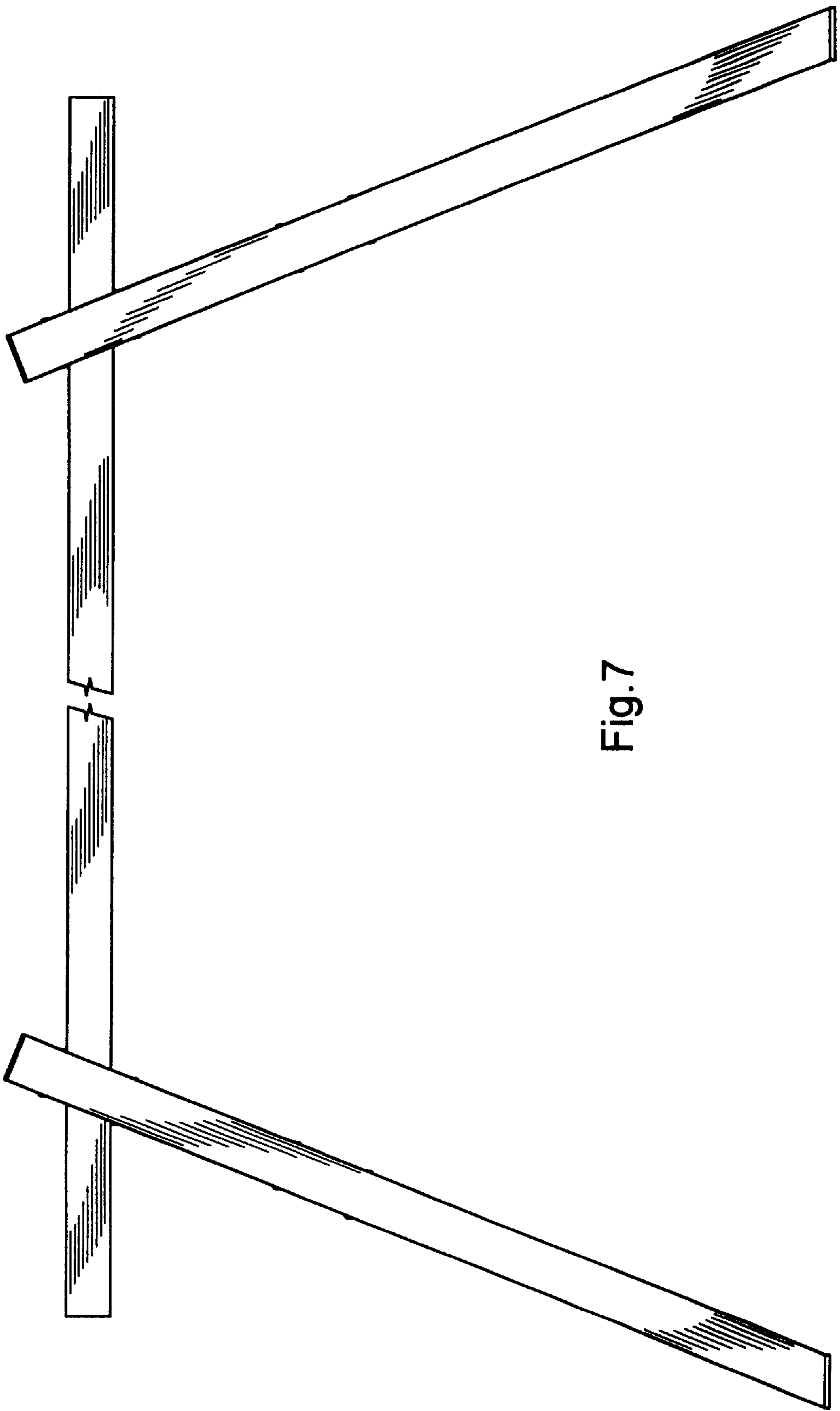


Fig. 7

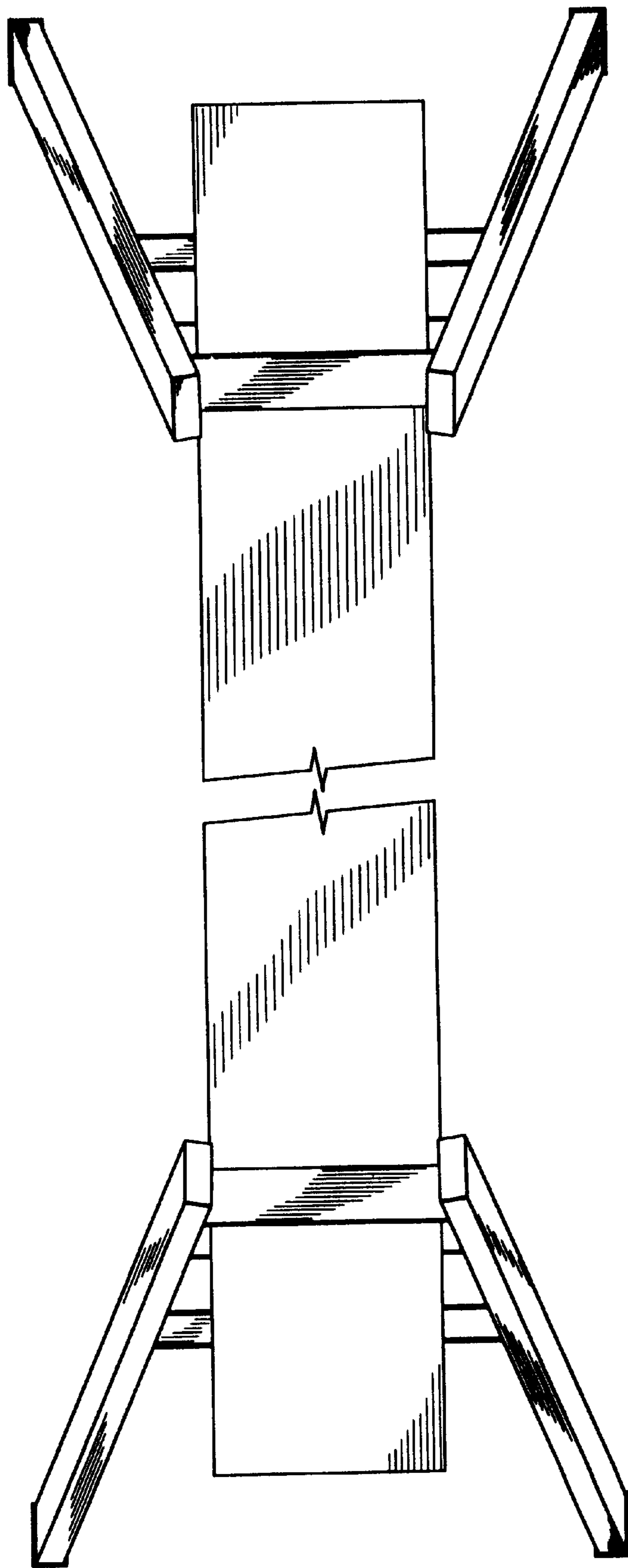


Fig. 8

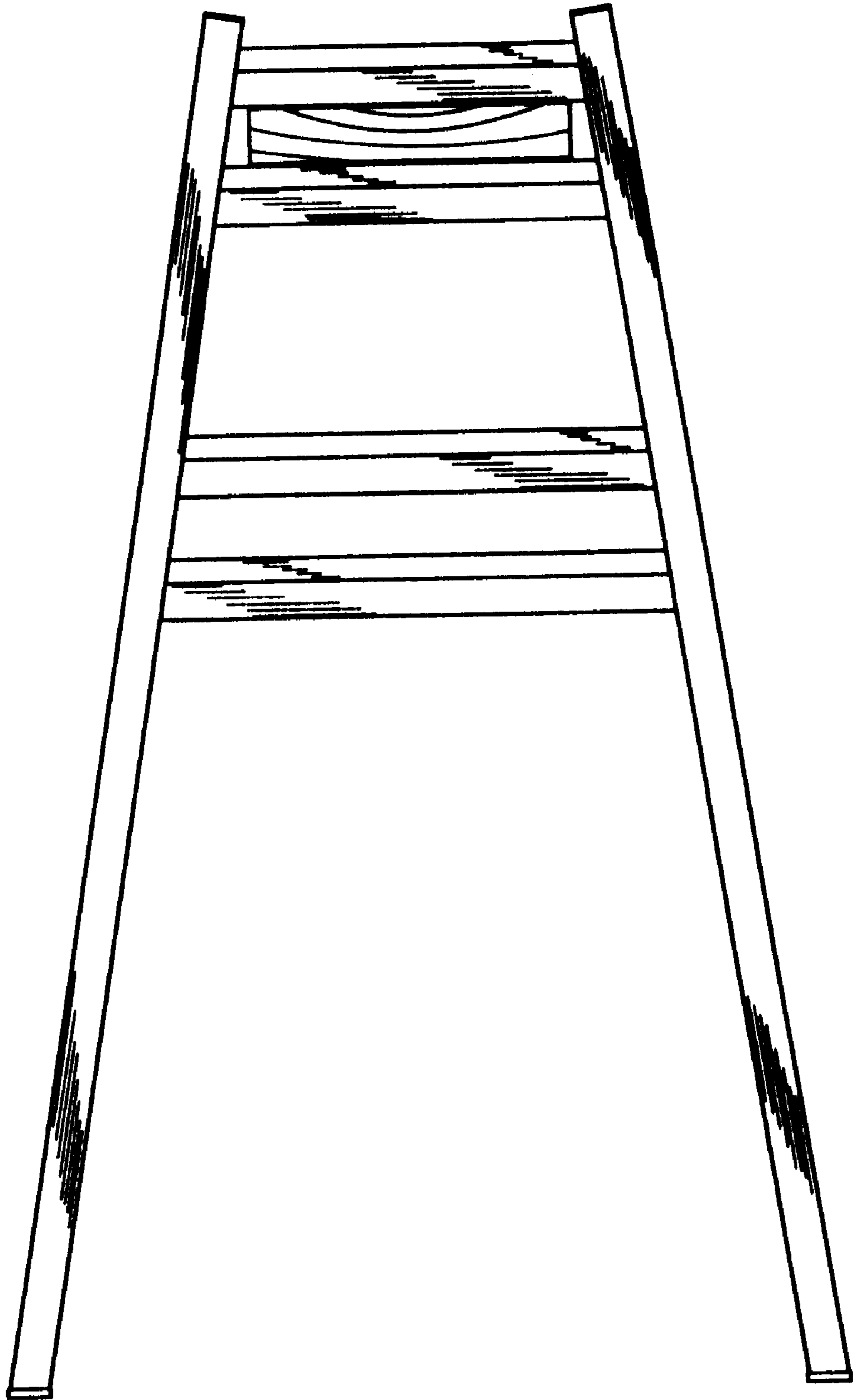


Fig.9

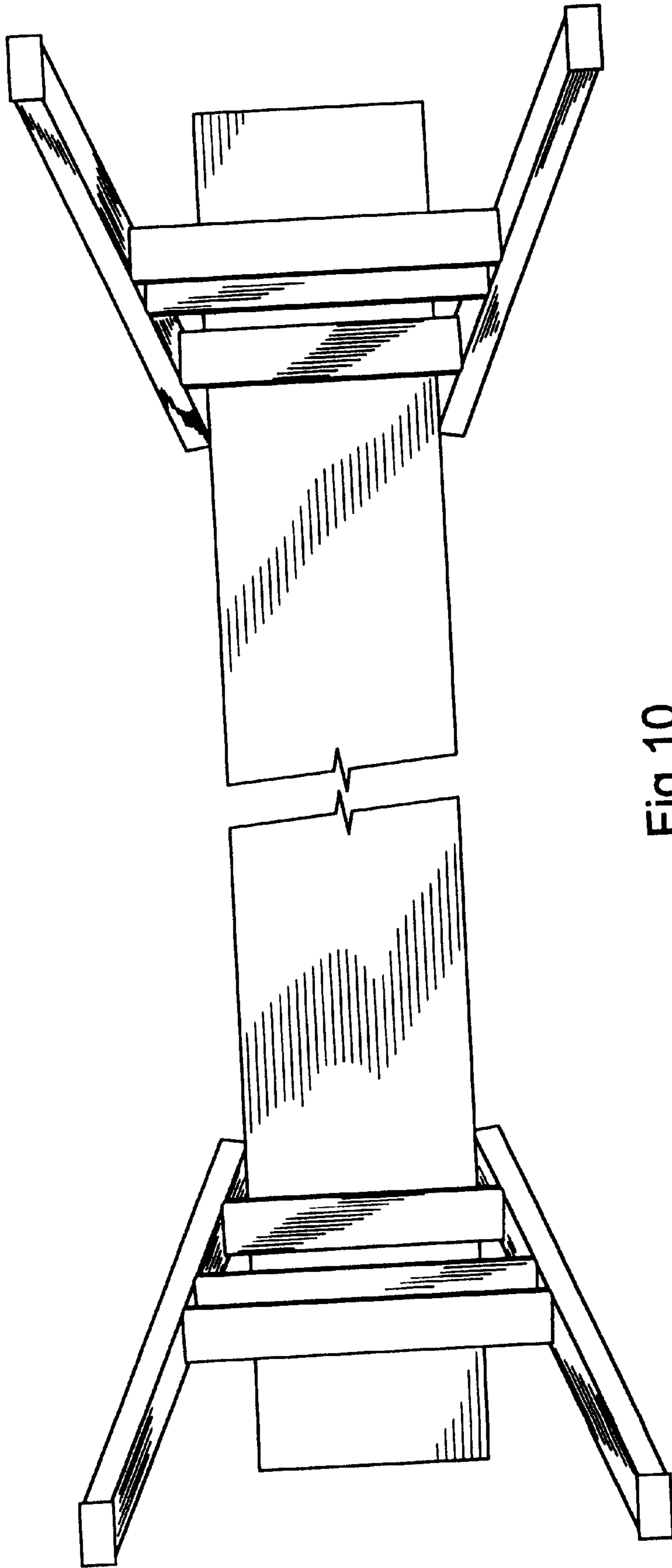


Fig. 10