



US00D432669S

United States Patent [19]

Bryjak et al.

[11] Patent Number: Des. 432,669

[45] Date of Patent: ** Oct. 24, 2000

[54] SEATING HOUSING

[75] Inventors: **John Jack Bryjak**, Park Ridge; **Arthur Hergott**, Deerfield; **Troy W. Livingston**, Northbrook, all of Ill.

[73] Assignee: **Greenwich Industries, L.P.**, Lake Bluff, Ill.

[**] Term: **14 Years**

[21] Appl. No.: **29/108,094**

[22] Filed: **Jul. 19, 1999**
(Under 37 CFR 1.47)

Related U.S. Application Data

[63] Continuation of application No. 29/088,353, May 21, 1998, abandoned, which is a continuation-in-part of application No. 08/797,030, Feb. 7, 1997, Pat. No. 5,810,430.

[51] **LOC (7) Cl.** **25-04**

[52] **U.S. Cl.** **D25/62**

[58] **Field of Search** 52/183, 182, 188,
52/191, 6-9; D25/62, 63

[56] References Cited

U.S. PATENT DOCUMENTS

Re. 34,468	12/1993	Rau et al.	296/26
890,705	6/1908	Pilia et al. .	
1,044,160	11/1912	Freedman .	
1,046,055	12/1912	Di Orio	296/26
1,248,702	12/1917	Percival .	
1,282,220	10/1918	Grundal	296/26
1,583,264	5/1926	Turner, Jr. .	
1,856,449	5/1932	Young .	
2,007,988	7/1935	Thomas	5/12
2,061,235	11/1936	Horn	20/0.5
2,121,456	6/1938	Tornquist	155/117
2,147,564	2/1939	Vance	20/0.5
2,205,624	6/1940	Horn	189/1
2,592,912	4/1952	Knipper	182/33

2,595,038	4/1952	Woller	5/29
2,738,519	3/1956	Thomas	5/12
2,755,486	7/1956	Thomas	5/12
2,815,541	12/1957	Lappin et al.	20/1.126
2,832,082	4/1958	Thomas	5/13
2,846,738	8/1958	Walworth et al.	20/1.126
2,891,255	6/1959	Simmons	5/9
2,983,968	5/1961	Wurn	20/1.126
3,482,270	12/1969	Hill	5/13
3,488,898	1/1970	Scaggs	D25/62
3,600,033	8/1971	Holdampf et al.	297/16
4,223,945	9/1980	Nikitis	297/159
4,378,609	4/1983	Patterson et al.	5/12 R
4,571,895	2/1986	Lyman, Jr.	297/236
4,742,900	5/1988	Boxhammer	190/2
4,979,340	12/1990	Wilson et al.	52/9
4,986,591	1/1991	Martienssen et al.	296/65.1
5,381,873	1/1995	Kniefel et al.	52/9
5,421,131	6/1995	Heckman et al.	52/263
5,655,459	8/1997	O'Connor et al.	108/48

FOREIGN PATENT DOCUMENTS

1130123 5/1962 Germany .

Primary Examiner—Doris Clark
Attorney, Agent, or Firm—Fitch, Even, Tabin & Flannery

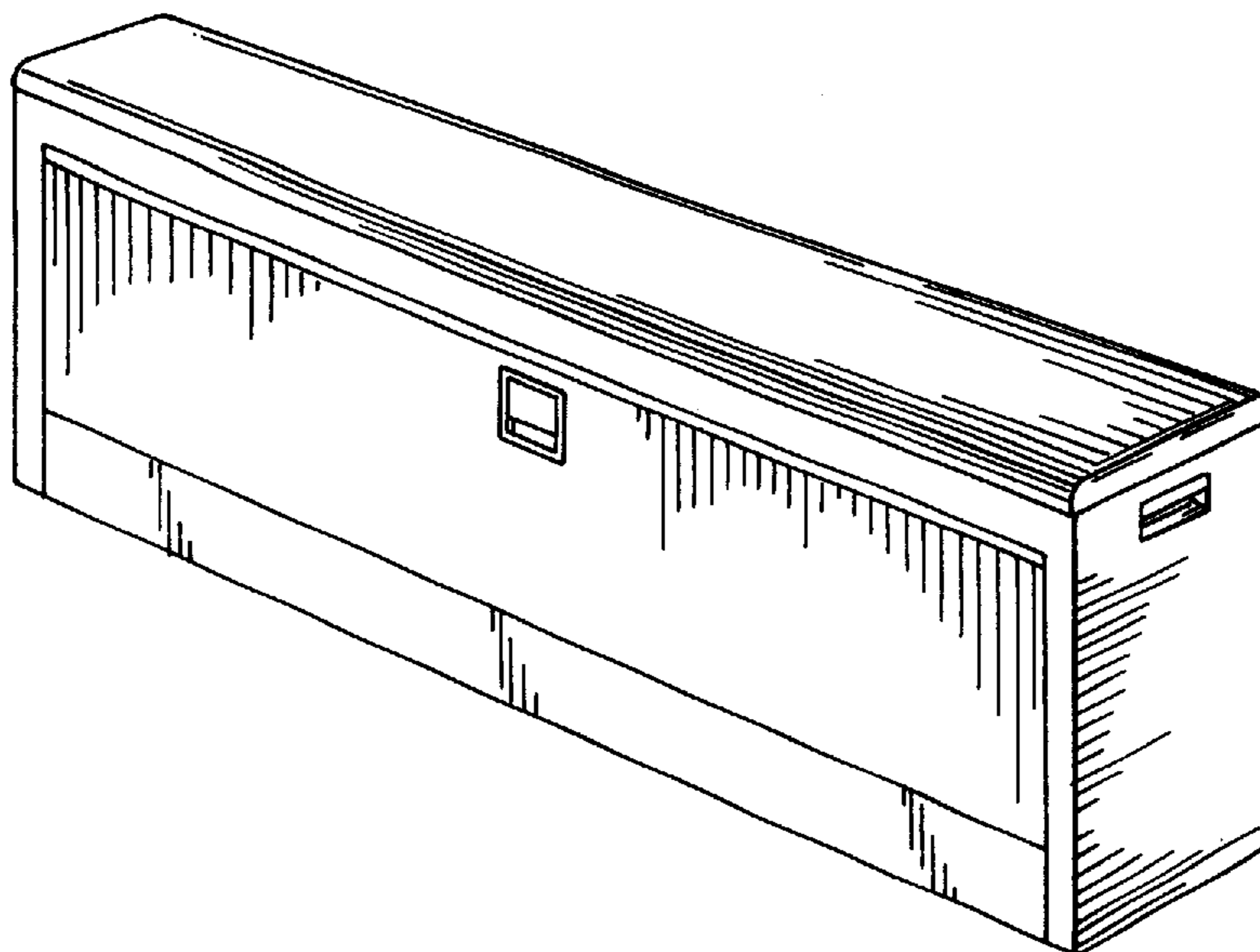
[57] CLAIM

We claim the ornamental design for a seating housing, as shown and described.

DESCRIPTION

FIG. 1 is a perspective view of a seating housing showing our new design;
FIG. 2 is a front elevational view thereof;
FIG. 3 is a top plan view thereof;
FIG. 4 is a right side elevational view thereof;
FIG. 5 is a left side elevational view thereof;
FIG. 6 is a rear elevational view thereof; and,
FIG. 7 is an enlarged perspective view.
The broken lines are for illustrative purposes only and form no part of the claimed design.

1 Claim, 3 Drawing Sheets



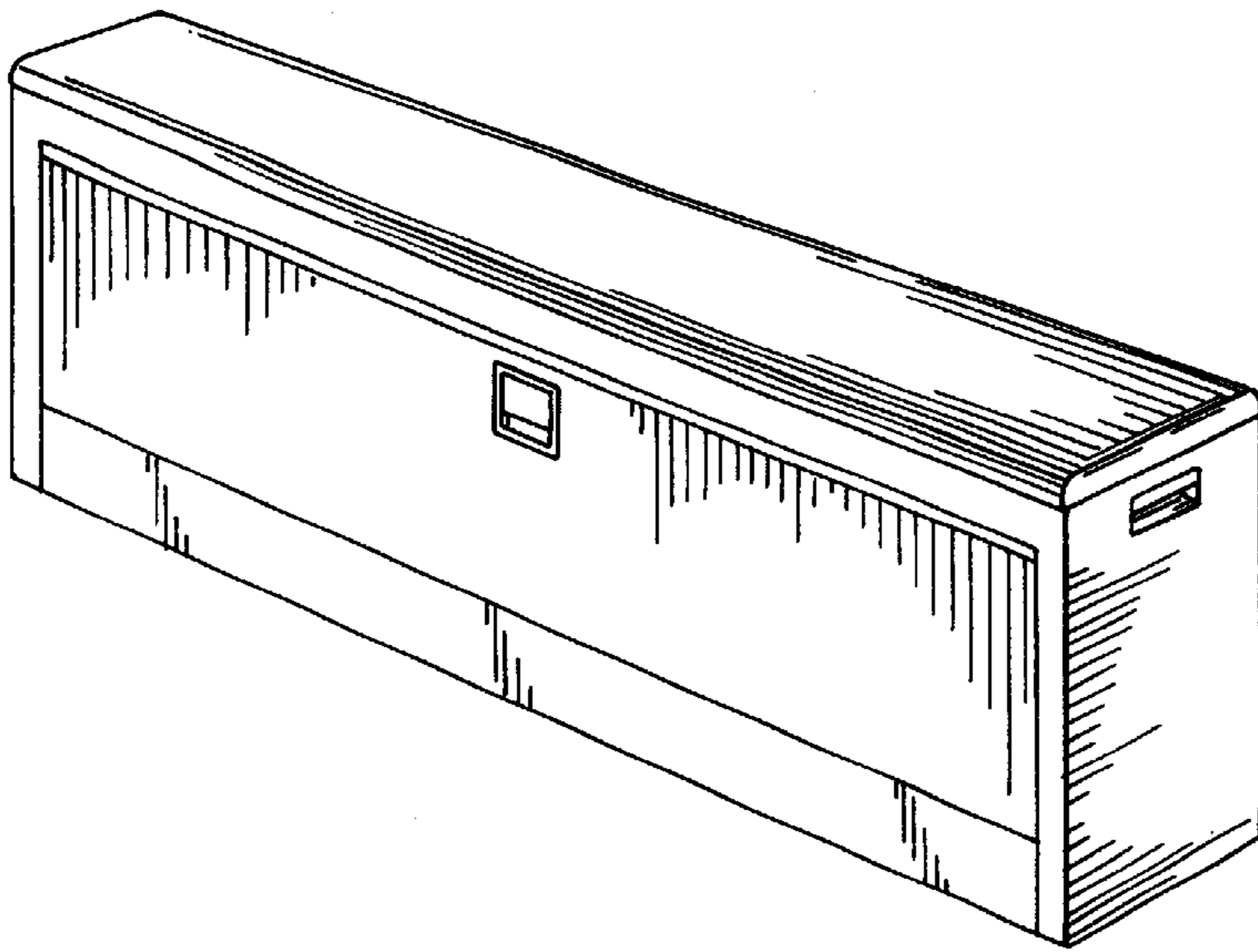


FIG. 1

FIG. 2

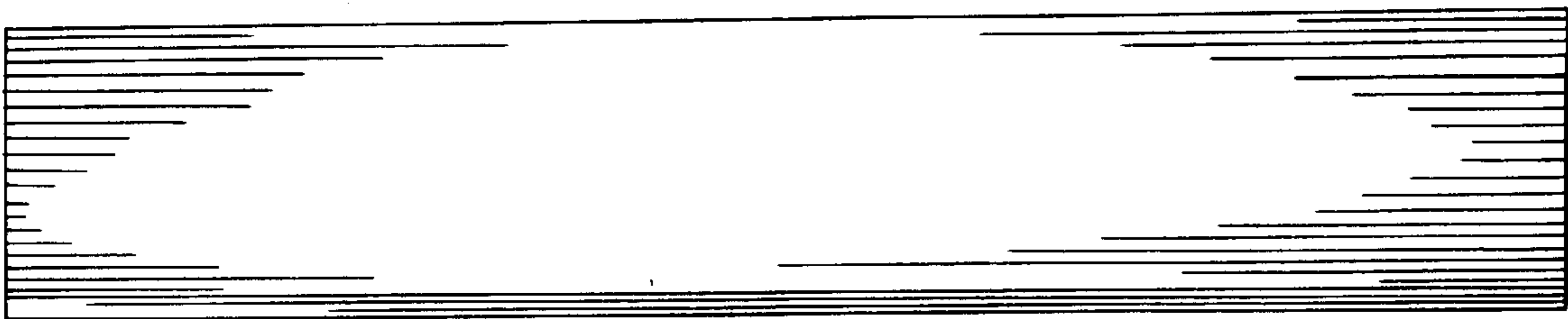
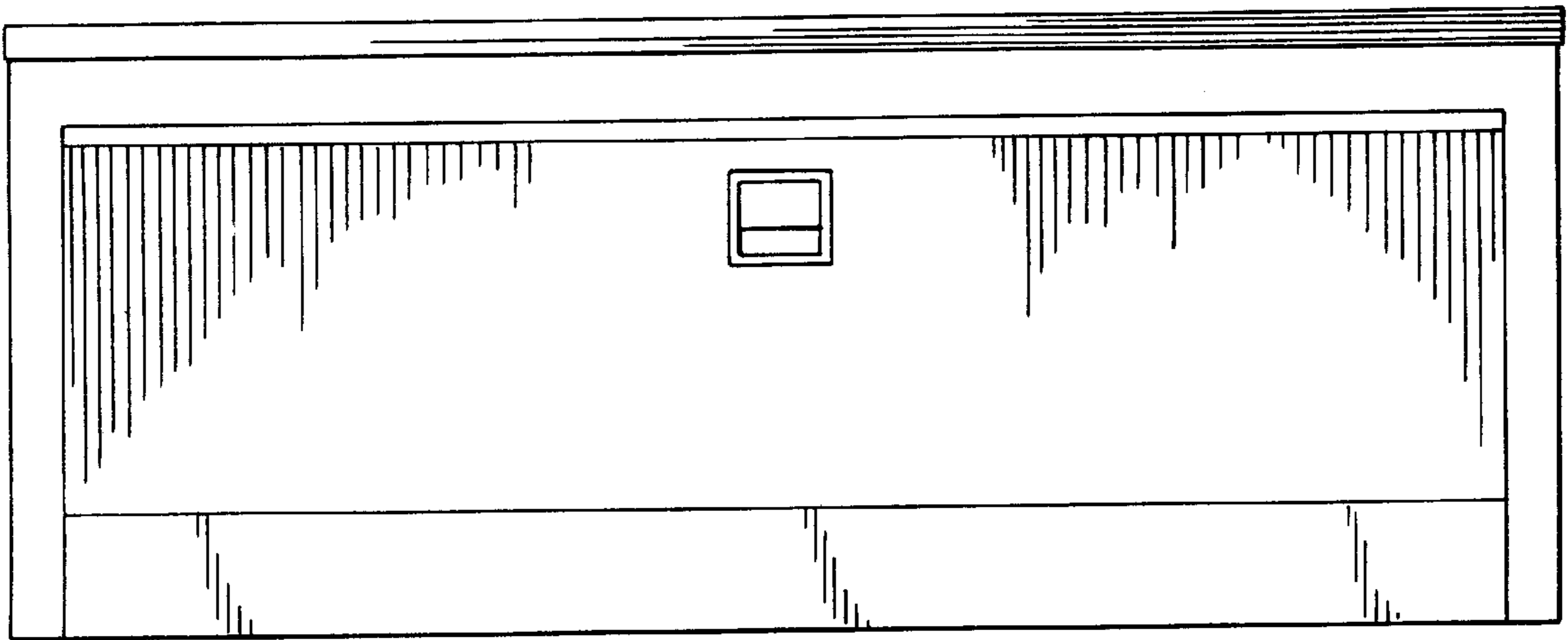


FIG. 3

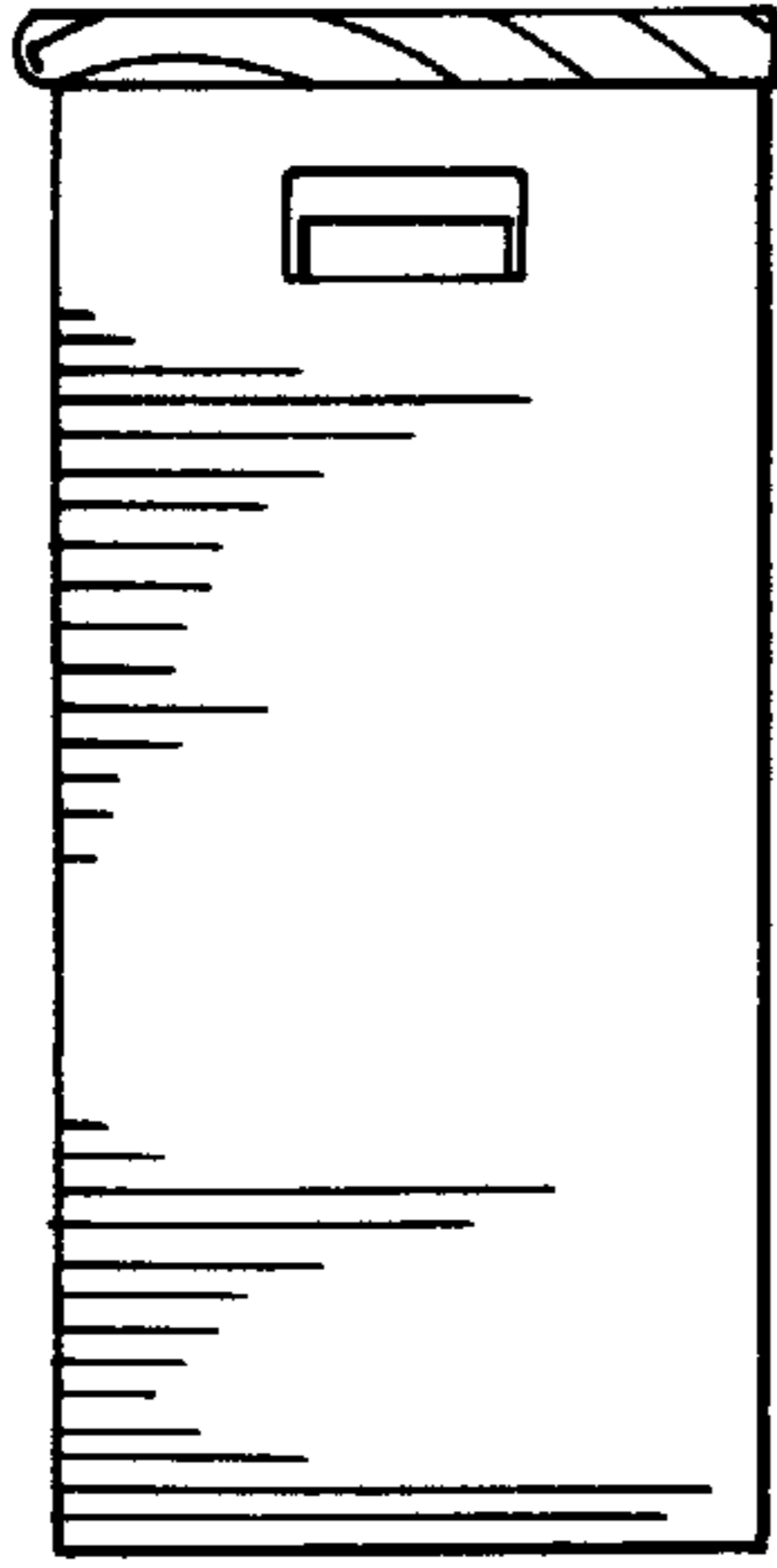


FIG. 4

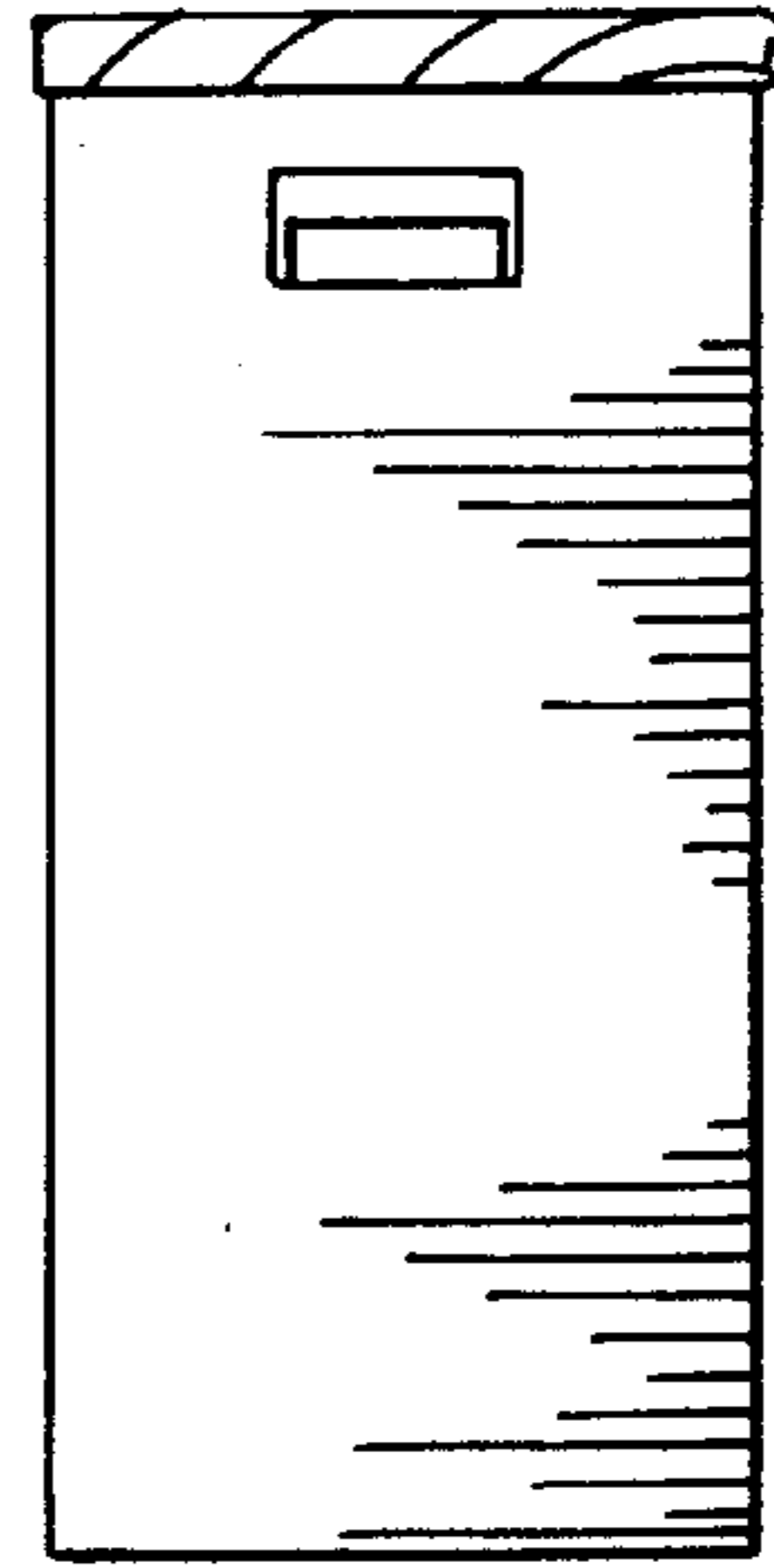


FIG. 5

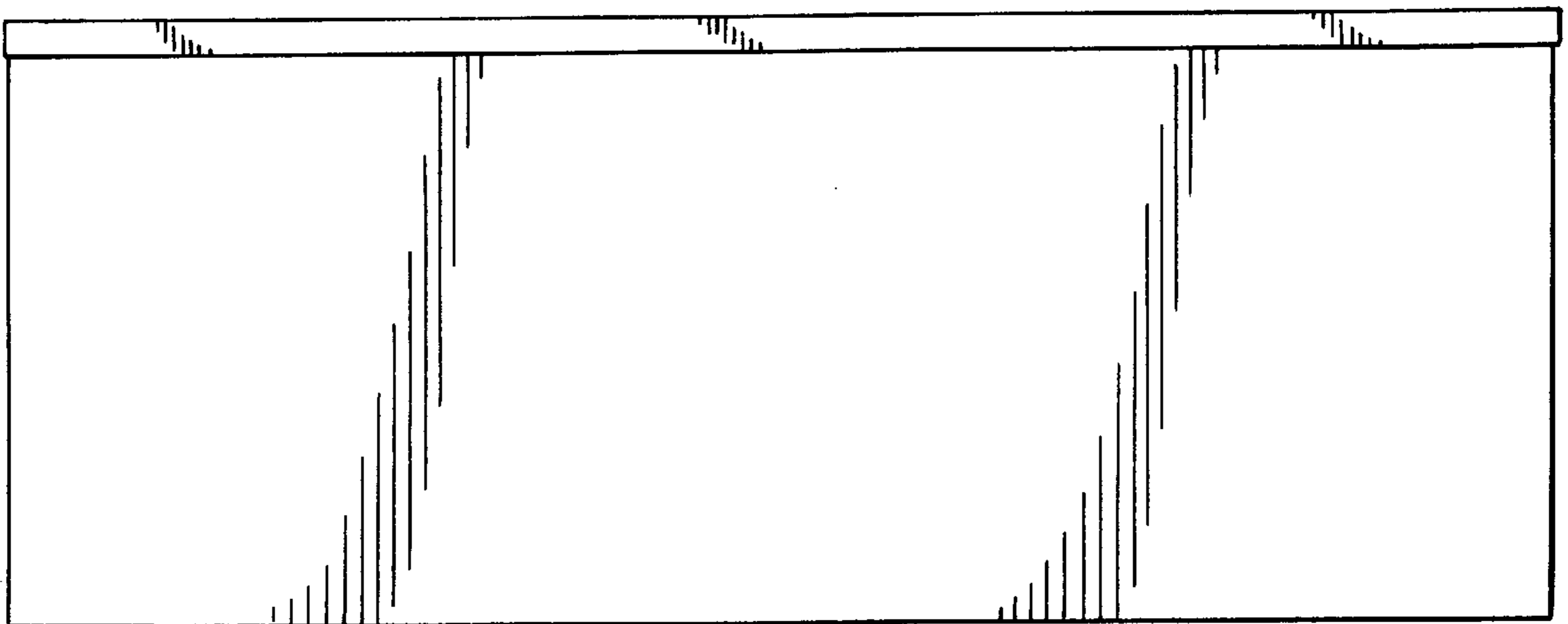


FIG. 6

FIG. 7

