



US00D432667S

United States Patent [19] Møller

[11] **Patent Number: Des. 432,667**

[45] **Date of Patent: ** Oct. 24, 2000**

[54] **CURB FRAME FOR MOUNTING OF ACCESSORIES IN A SKYLIGHT WINDOW**

5,544,455 8/1996 DeBlock .
5,675,940 10/1997 Bahar et al. .
5,687,514 11/1997 Gillispie 52/58

[75] Inventor: **Brent Møller**, Gentofte, Denmark

Primary Examiner—Doris Clark
Attorney, Agent, or Firm—Venable; John P. Shannon

[73] Assignee: **Velux Industri A/S**, Soborg, Denmark

[**] Term: **14 Years**

[57] **CLAIM**

[21] Appl. No.: **29/095,585**

The ornamental design for a curb frame for mounting of accessories in a skylight window, substantially as shown and described.

[22] Filed: **Oct. 27, 1998**

[51] **LOC (7) Cl.** **25-02**

DESCRIPTION

[52] **U.S. Cl.** **D25/60**

FIG. 1 is a perspective view of a curb frame for mounting of accessories in a skylight window showing our new design;

[58] **Field of Search** 52/58, 60, 200;
D25/60, 199, 52

FIG. 2 is a top plan view thereof;

[56] **References Cited**

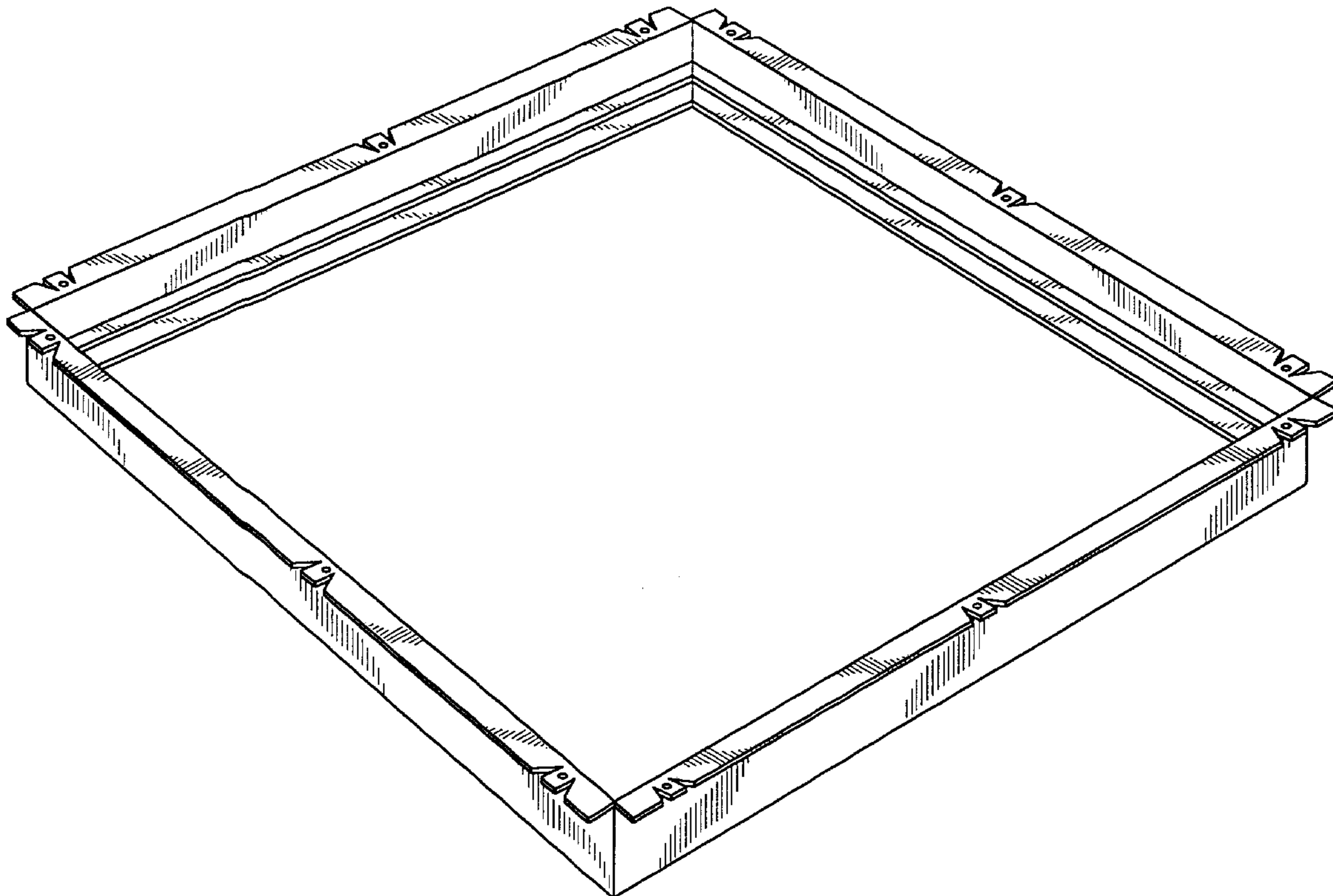
FIG. 3 is a side elevational view; and,

U.S. PATENT DOCUMENTS

FIG. 4 is a bottom plan view of the curb frame of FIG. 2.

D. 385,363 10/1997 Solbeck D25/60
5,016,406 5/1991 Calam et al. 52/58

1 Claim, 4 Drawing Sheets



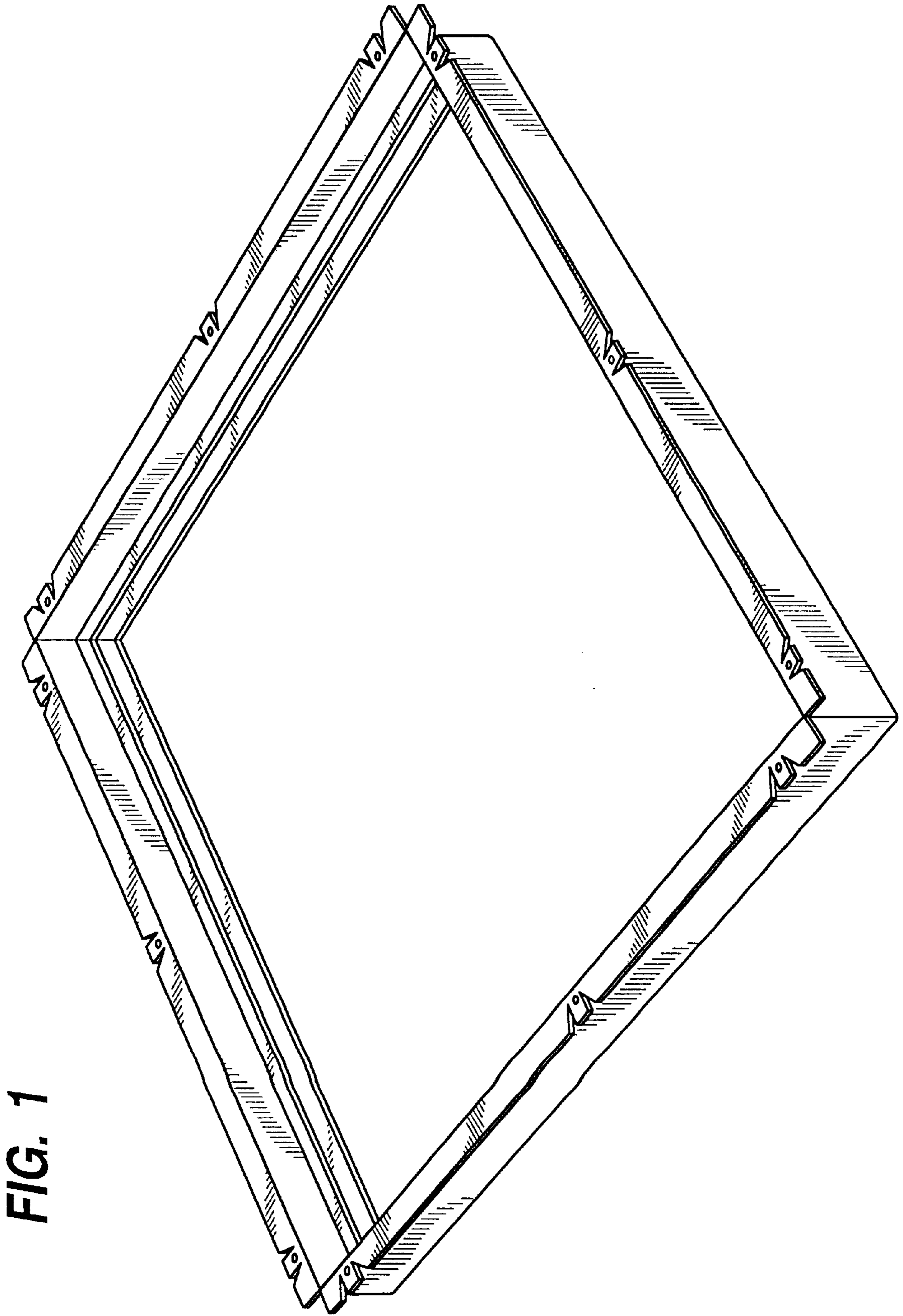


FIG. 1

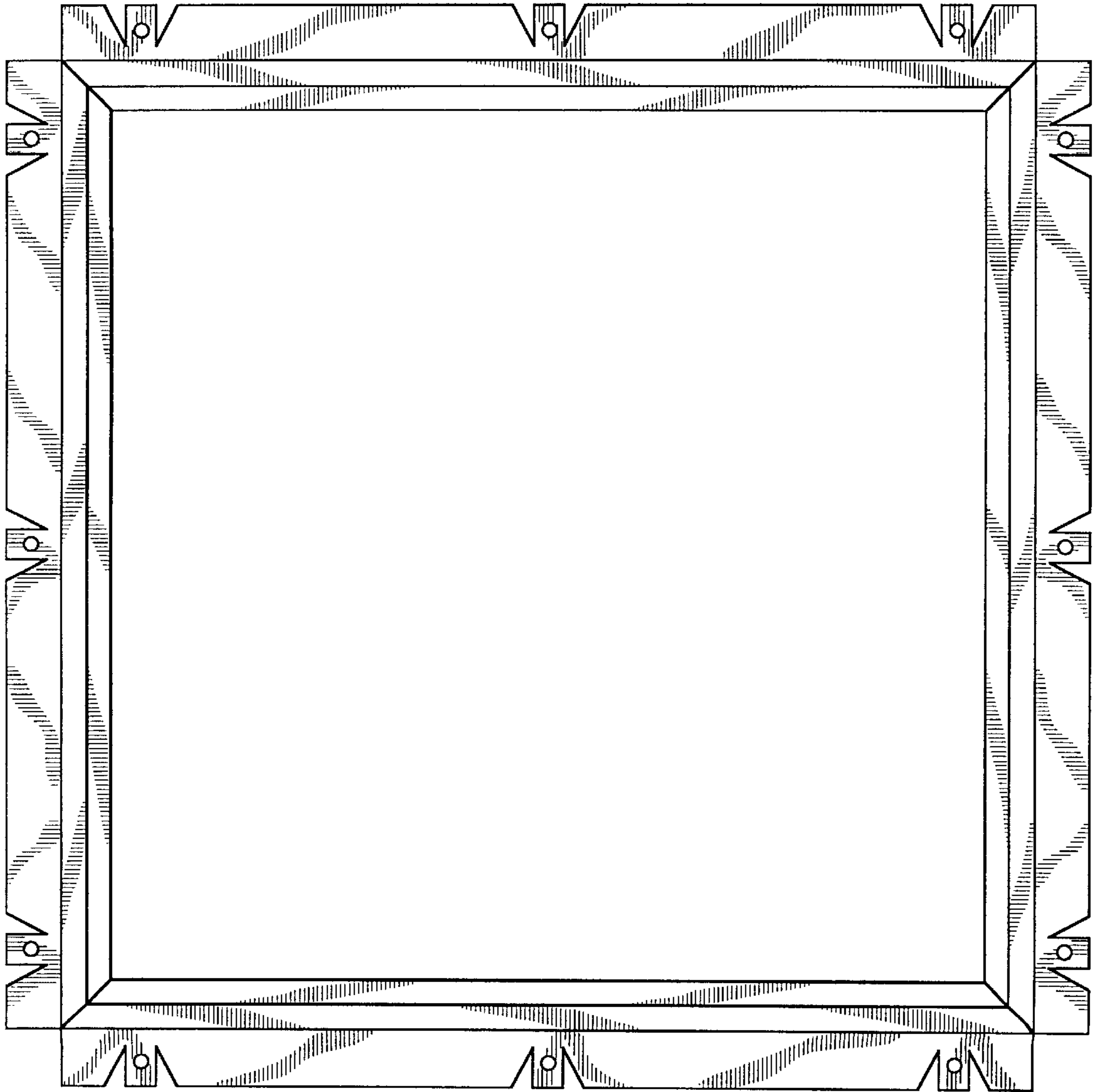


FIG. 2

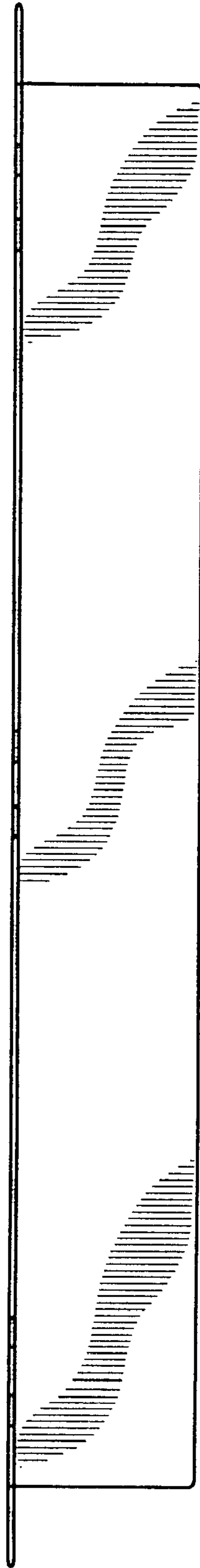


FIG. 3

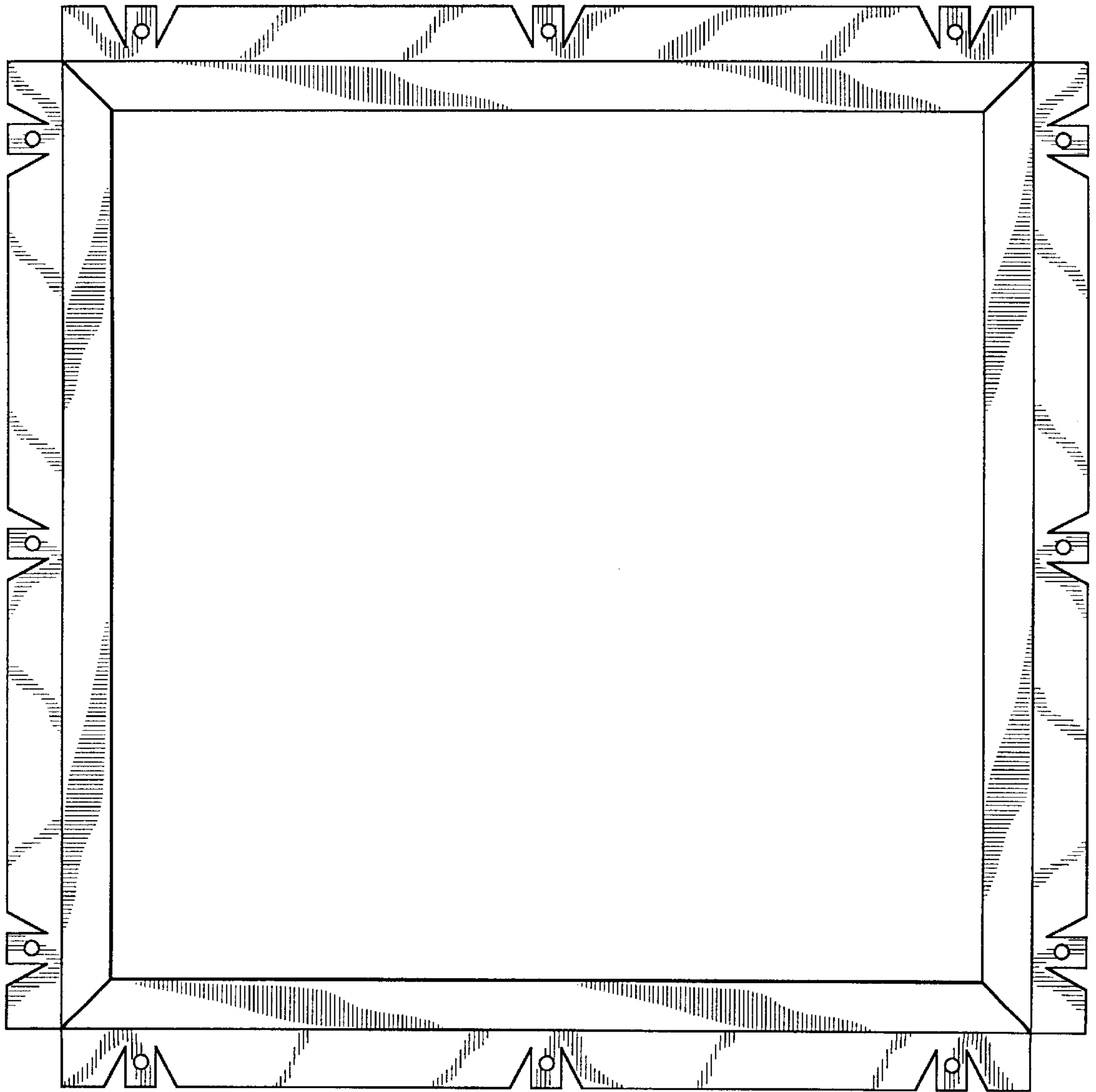


FIG. 4