



US00D432665S

United States Patent [19]
Chipman et al.

[11] **Patent Number: Des. 432,665**
[45] **Date of Patent: ** *Oct. 24, 2000**

[54] **CANOPY STRUCTURE**

[75] Inventors: **Robert G. Chipman**, Austin, Tex.;
Brian J. Kane, San Francisco, Calif.;
Arno R. Yurk, Kalamazoo, Mich.

[73] Assignee: **Landscape Forms Inc.**, Kalamazoo,
Mich.

[*] Notice: This patent is subject to a terminal dis-
claimer.

[**] Term: **14 Years**

[21] Appl. No.: **29/115,739**

[22] Filed: **Dec. 17, 1999**

[51] **LOC (7) Cl.** **25-02**

[52] **U.S. Cl.** **D25/56**

[58] **Field of Search** D25/56; 135/90,
135/124, 906, 87

[56] **References Cited**

U.S. PATENT DOCUMENTS

- D. 199,353 10/1964 Harper D25/56
- D. 256,829 9/1980 Qui et al. D25/56
- D. 412,993 8/1999 Chipman et al. D25/56
- D. 413,394 8/1999 Chipman et al. D25/56

FOREIGN PATENT DOCUMENTS

631566 11/1949 United Kingdom .

OTHER PUBLICATIONS

StreetSmart Designs, JWI, 2155 112th Avenue, Holland, MI
49424, 1993 (2pp.).
Sweet's General Building & Renovation Catalog, BuyLine
0250, Brasco International, Inc. 8750 Grinnell, Detroit, MI,
1998 (3 pp.).

Primary Examiner—Doris Clark
Attorney, Agent, or Firm—Heslin & Rothenberg, P.C.

[57] **CLAIM**

The ornamental design for a canopy structure, as shown and
described.

DESCRIPTION

FIG. 1 is an isometric view of a first embodiment of the
canopy structure of our new design;

FIG. 2 is a top plan view thereof;

FIG. 3 is a front elevational view thereof;

FIG. 4 is a back elevational view thereof;

FIG. 5 is a bottom plan view thereof;

FIG. 6 is a right side elevational view thereof, taken ortho-
gonal to the center support of the canopy structure, the left
elevational side view being a mirror image thereof;

FIG. 7 is a top plan view of a second embodiment of the
canopy structure of our new design;

FIG. 8 is a right side elevational view of the second
embodiment, taken orthogonal to the center support of the
canopy structure, the left elevational side view being a
mirror image thereof;

FIG. 9 is a top plan view of a third embodiment of the
canopy structure of our new design;

FIG. 10 is a right side elevational view of the third embodi-
ment, taken orthogonal to the center support of the canopy
structure, the left elevational side view being a mirror image
thereof; and,

FIG. 11 is a top plan view of a fourth embodiment of the
canopy structure of our new design, the bottom being
substantially similar to the bottom of the design illustrated in
FIG. 5.

The broken line showing in the drawing figures is for
illustrative purposes only and forms no part of the claimed
design.

1 Claim, 7 Drawing Sheets

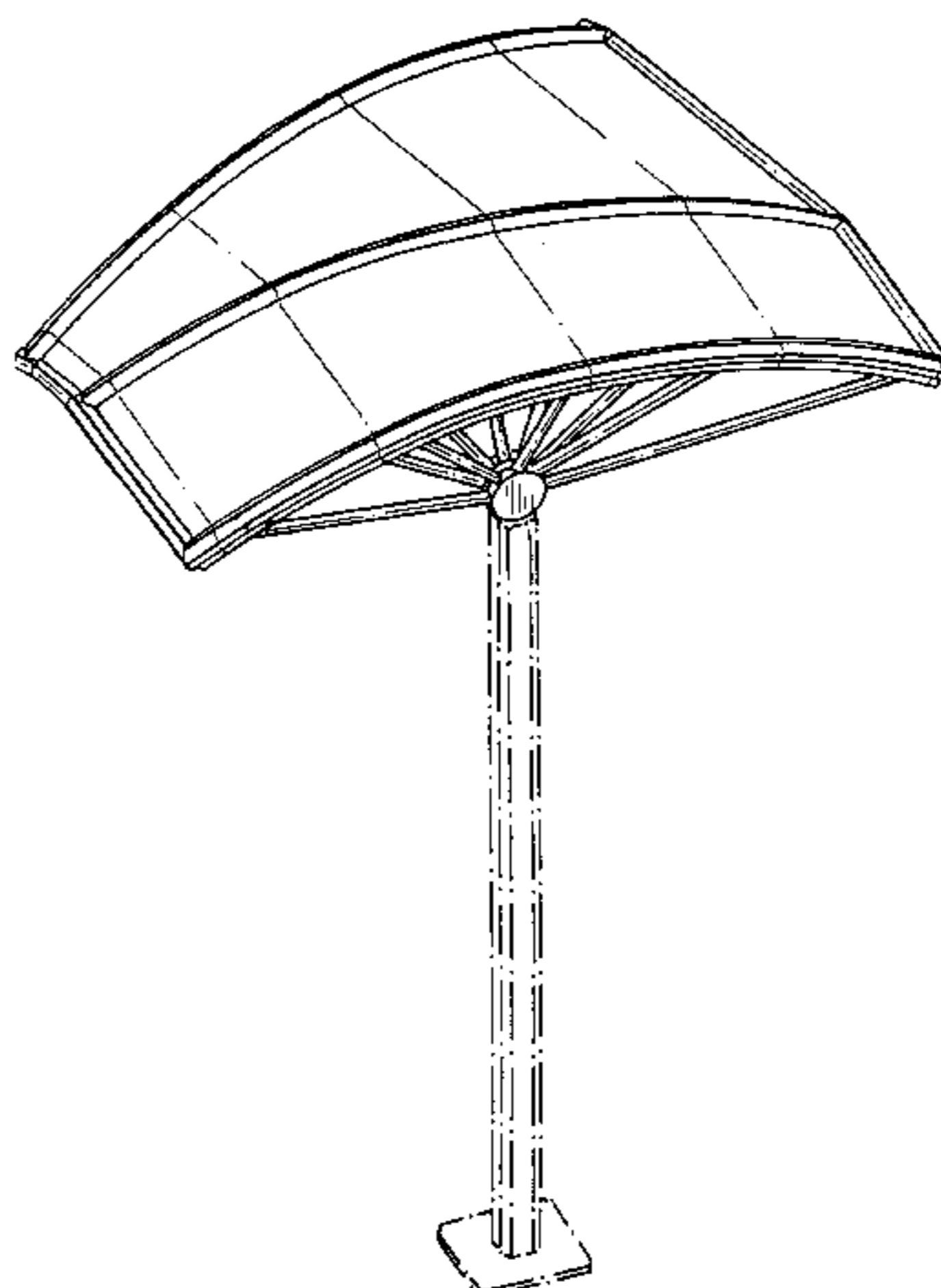


FIG. 1

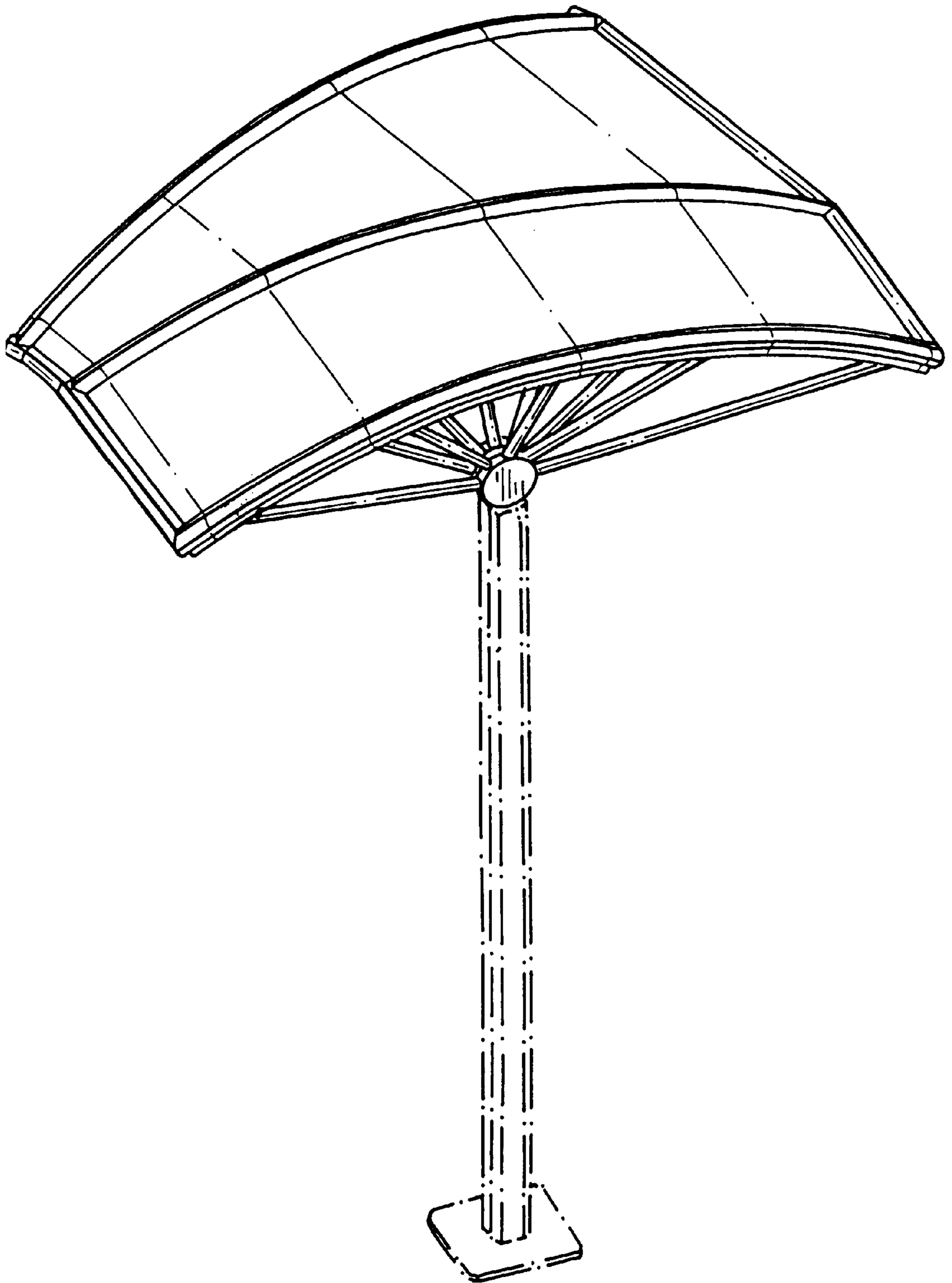


FIG. 2

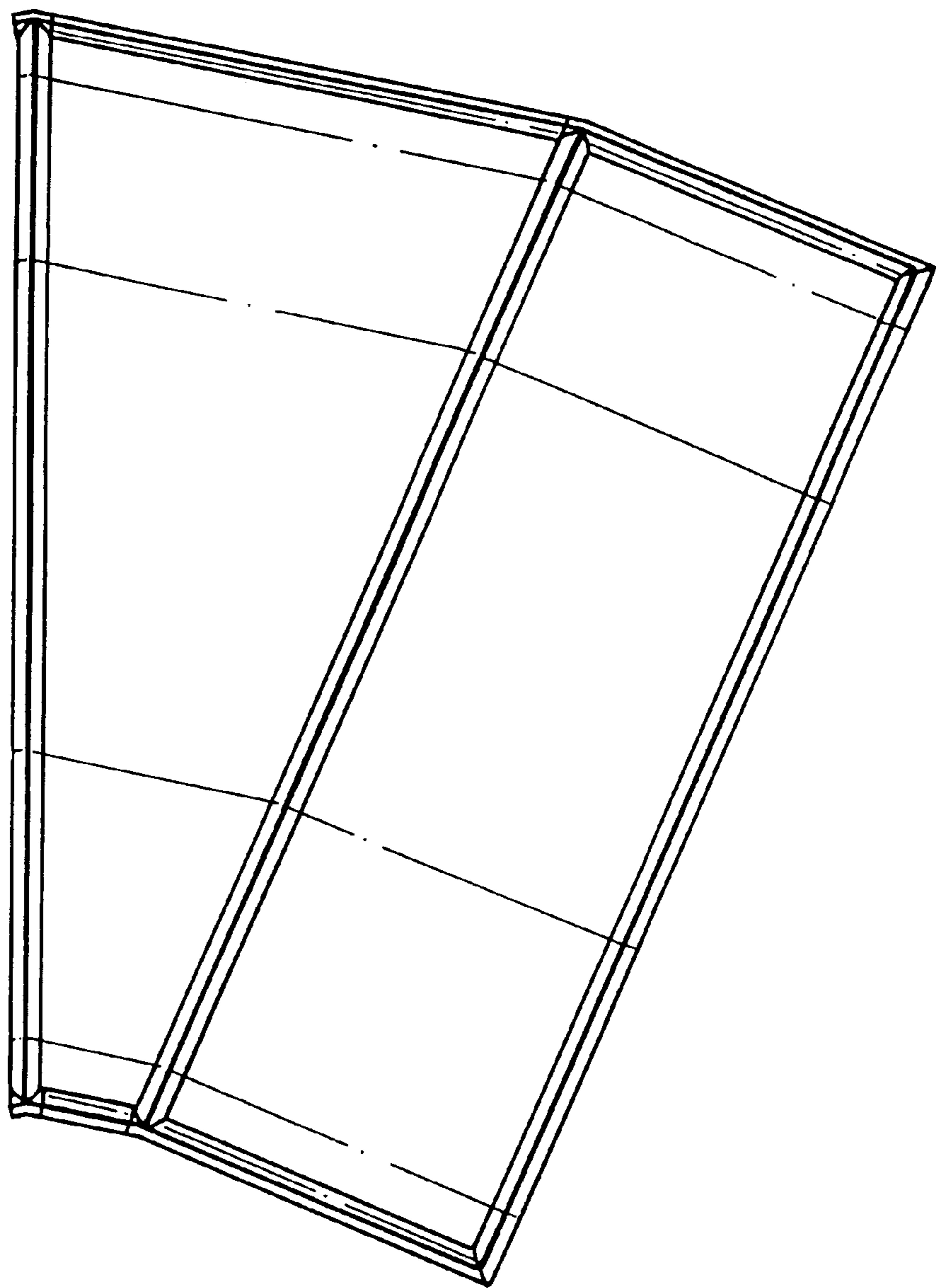


FIG. 3

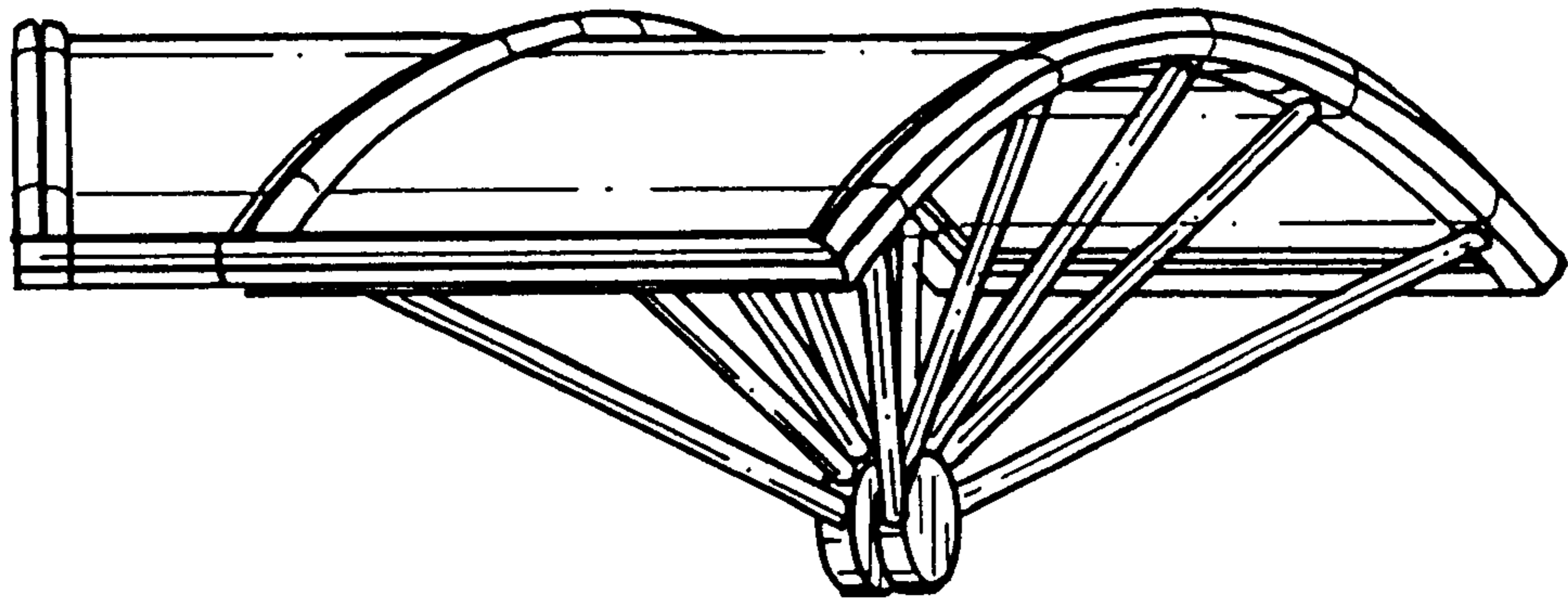


FIG. 4

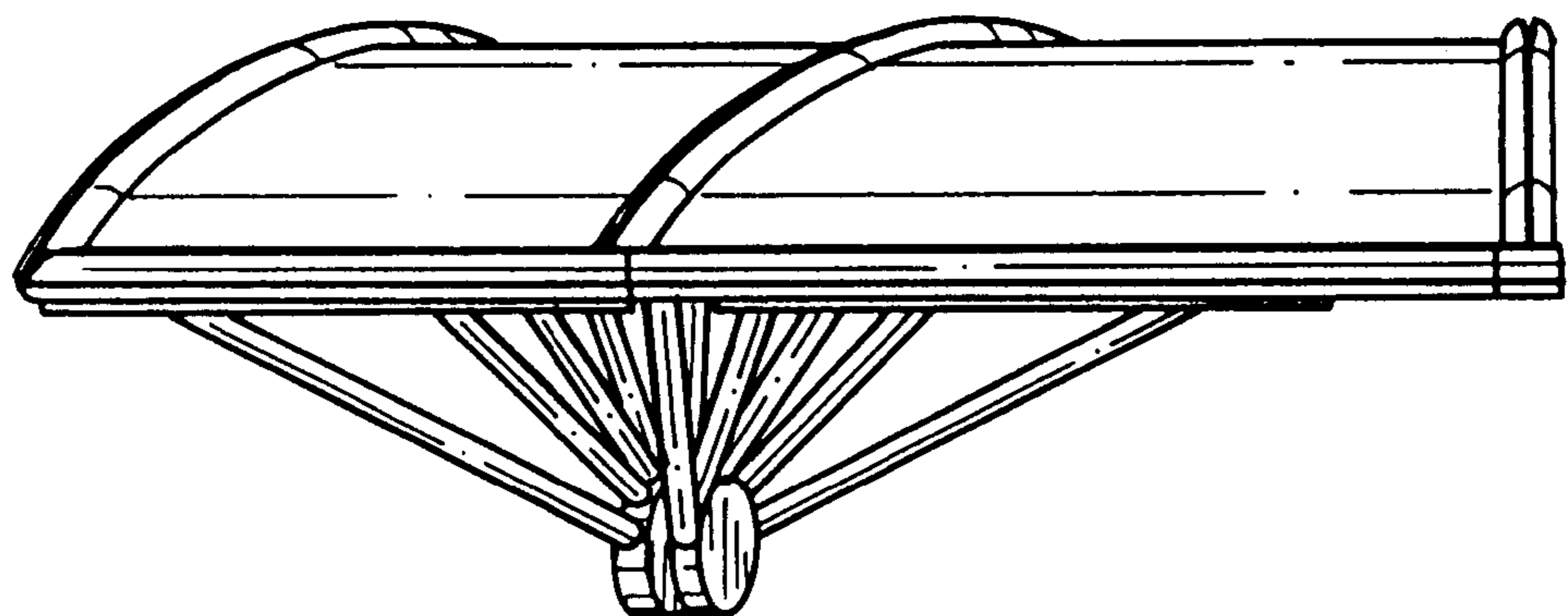


FIG. 5

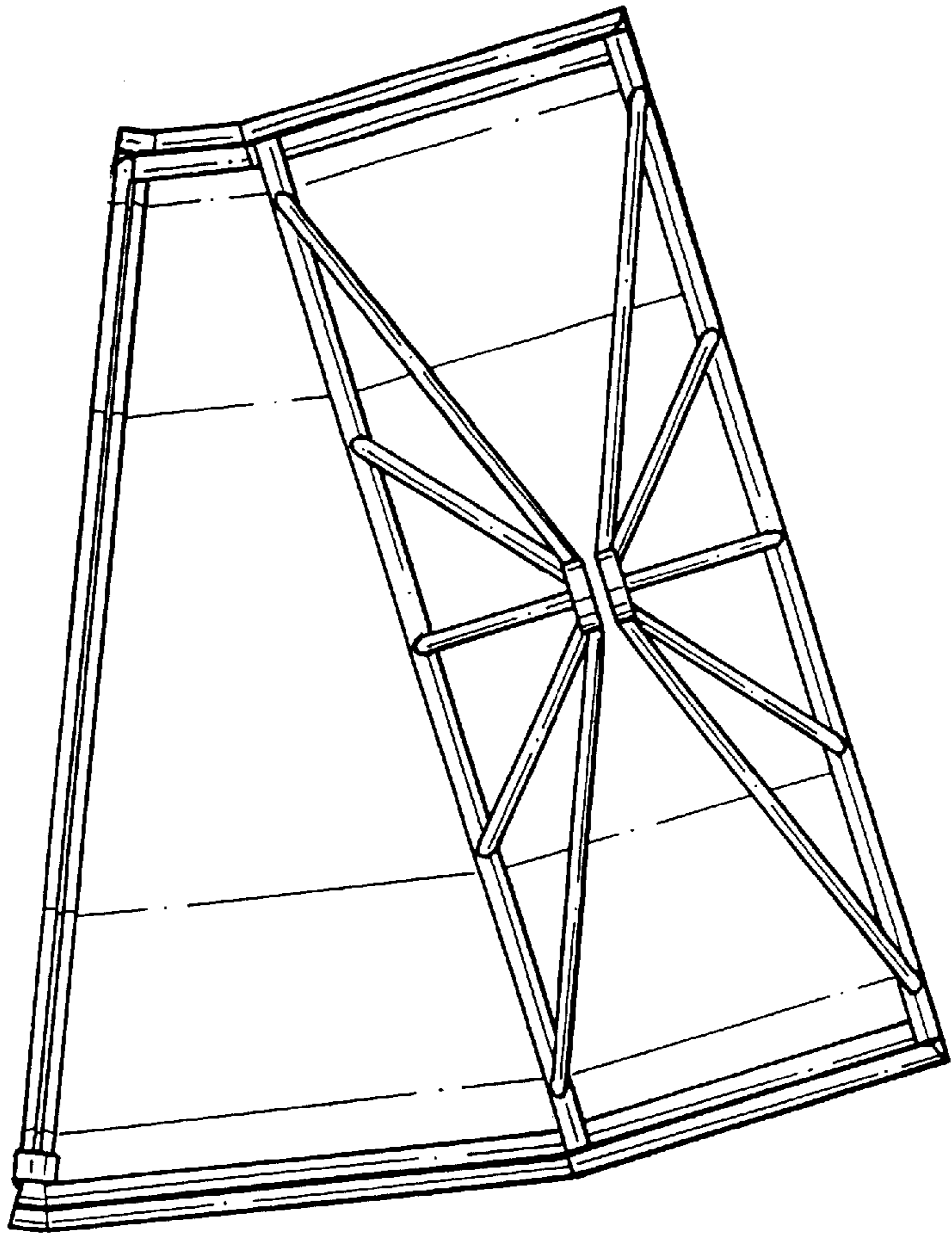


FIG. 6

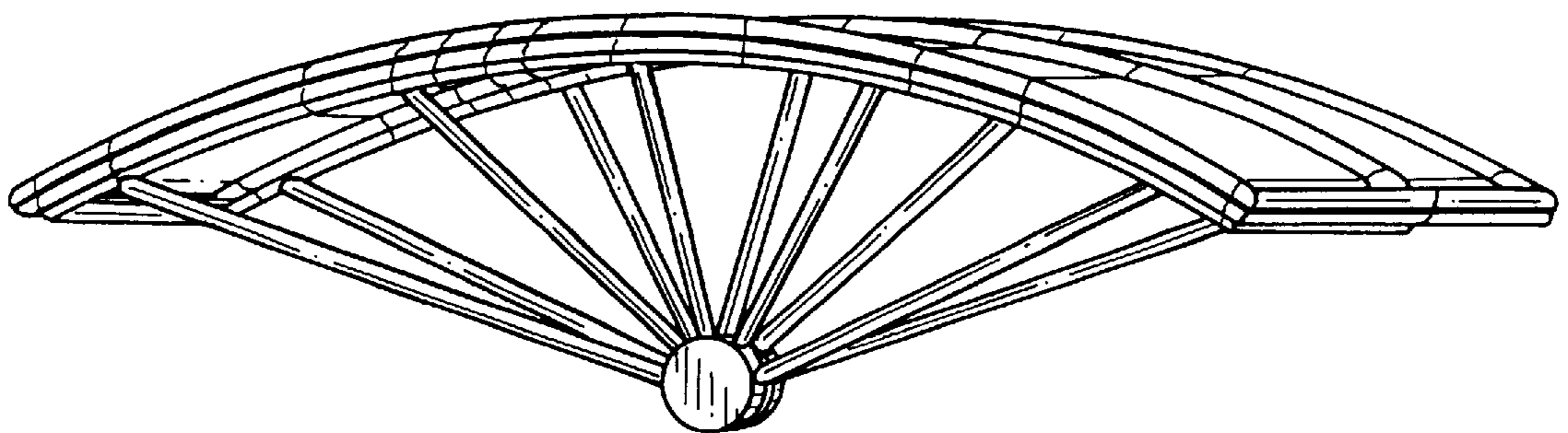


FIG. 7

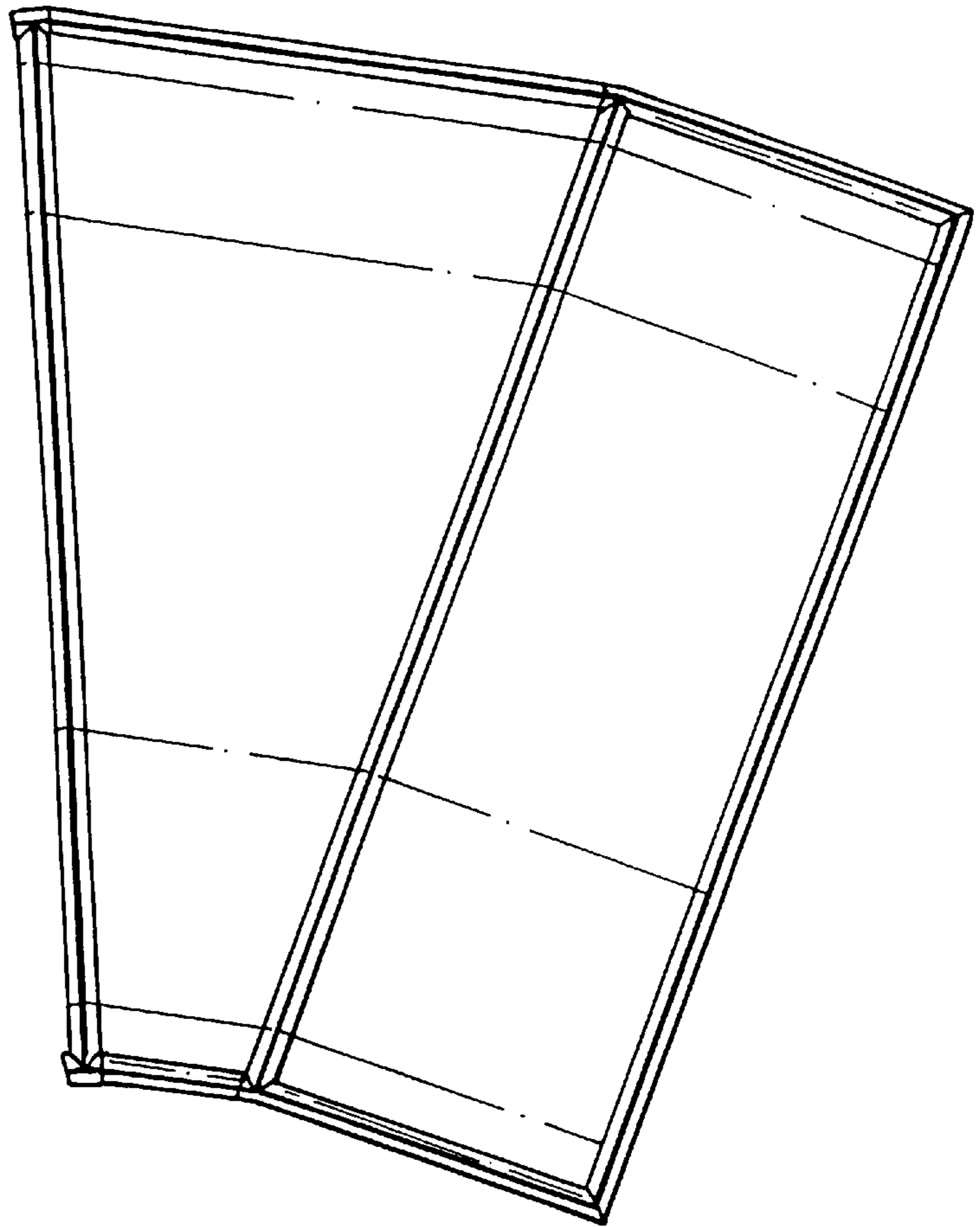


FIG. 8

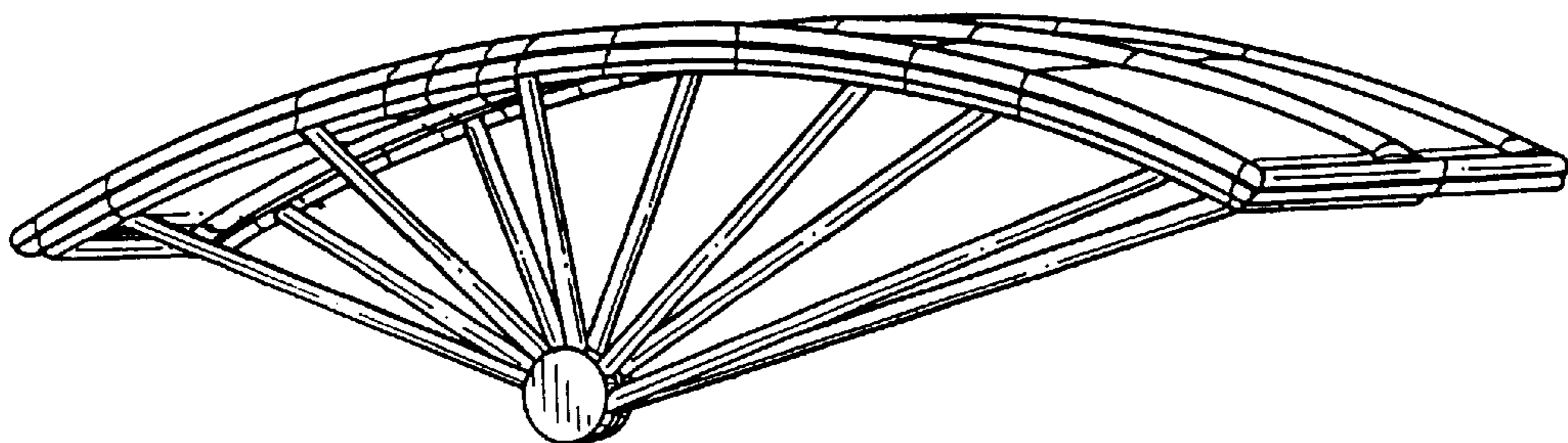


FIG. 9

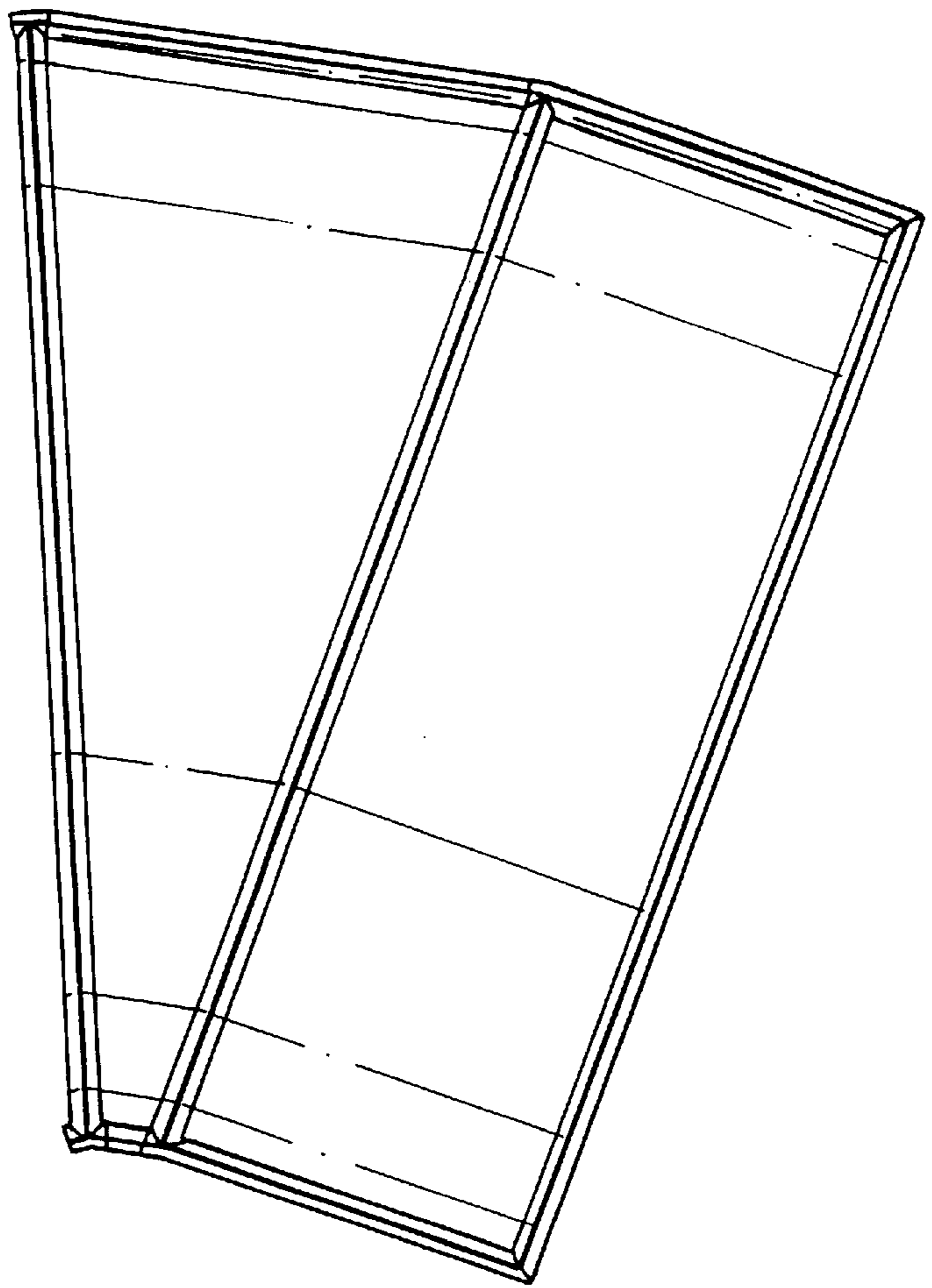


FIG. 10

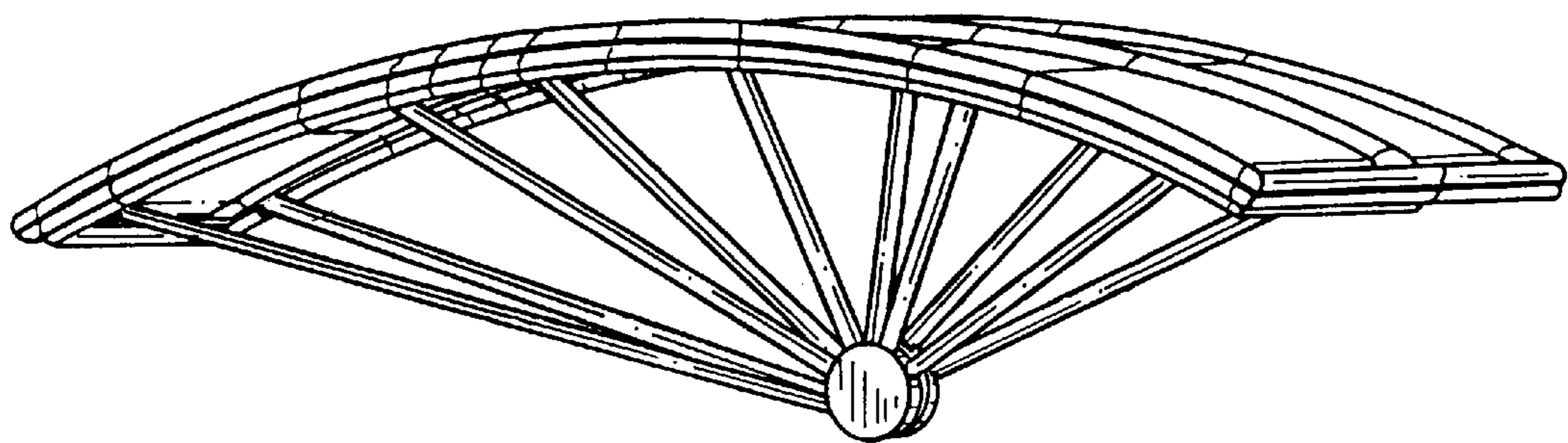


FIG. 11

