



US00D432662S

# United States Patent [19] Everhart

[11] **Patent Number: Des. 432,662**

[45] **Date of Patent: \*\* Oct. 24, 2000**

[54] **MULTI-CIRCULAR MODULAR RESIDENCE**

D. 276,185 10/1984 Stewart, Jr. .... D25/31

[76] Inventor: **Richard Everhart**, 2924 Cockerham St., Winston-Salem, N.C. 27127

*Primary Examiner*—Doris Clark

[\*\*] Term: **14 Years**

[57] **CLAIM**

The ornamental design for a multi-circular modular residence, as shown and described.

[21] Appl. No.: **29/118,181**

[22] Filed: **Feb. 7, 2000**

### DESCRIPTION

[51] **LOC (7) Cl.** ..... **25-03**

FIG. 1 is a front elevational view of a residence showing my new design;

[52] **U.S. Cl.** ..... **D25/31**

FIG. 2 is a rear elevational view thereof;

[58] **Field of Search** ..... D25/1, 17, 31, D25/33, 18, 19; 52/63, 85

FIG. 3 is a left side elevational view thereof;

FIG. 4 is a right side elevational view thereof;

FIG. 5 is a left side perspective view thereof; and,

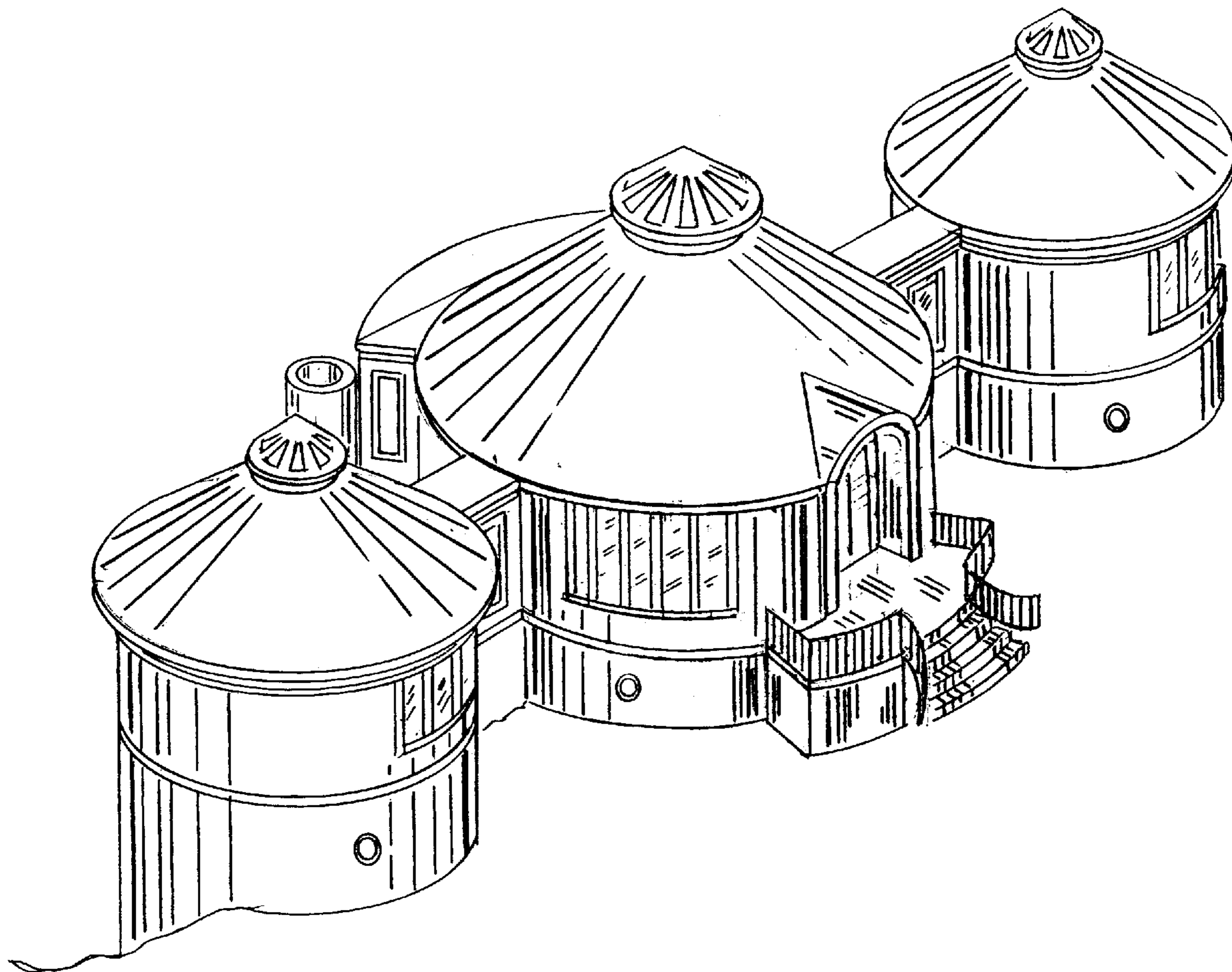
FIG. 6 is a right side perspective view thereof.

### [56] **References Cited**

#### U.S. PATENT DOCUMENTS

D. 217,858 6/1970 Mihilas ..... D25/31

**1 Claim, 4 Drawing Sheets**



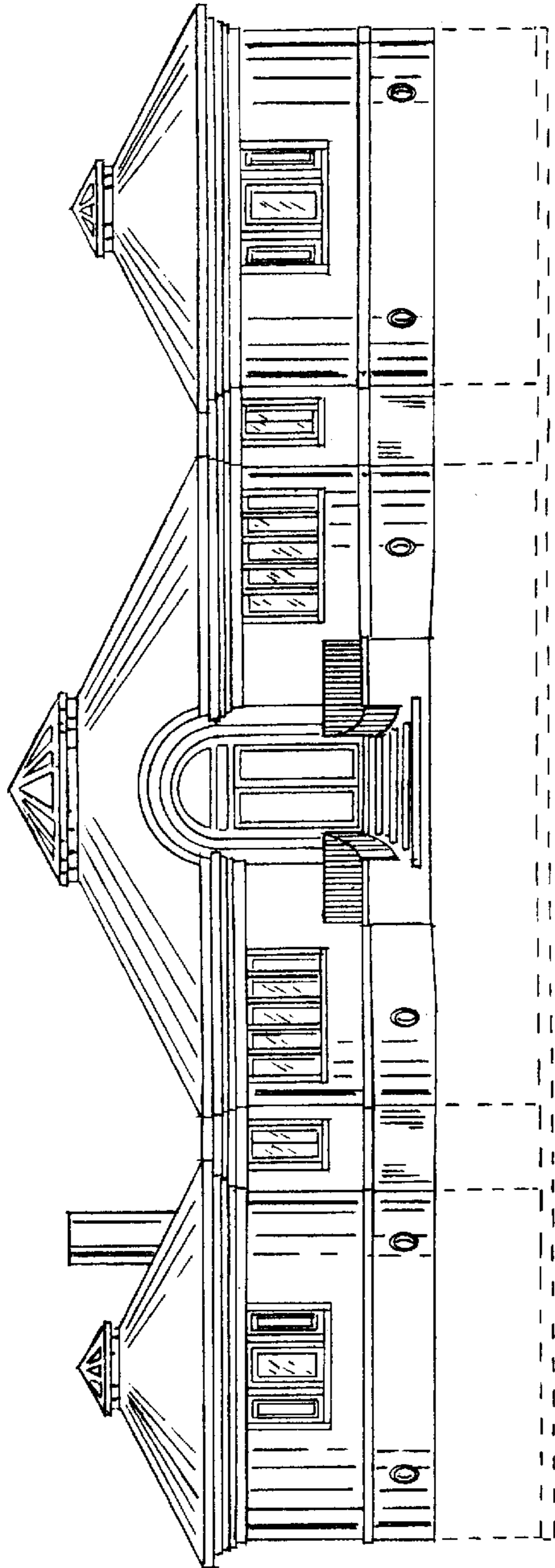


FIG. 1

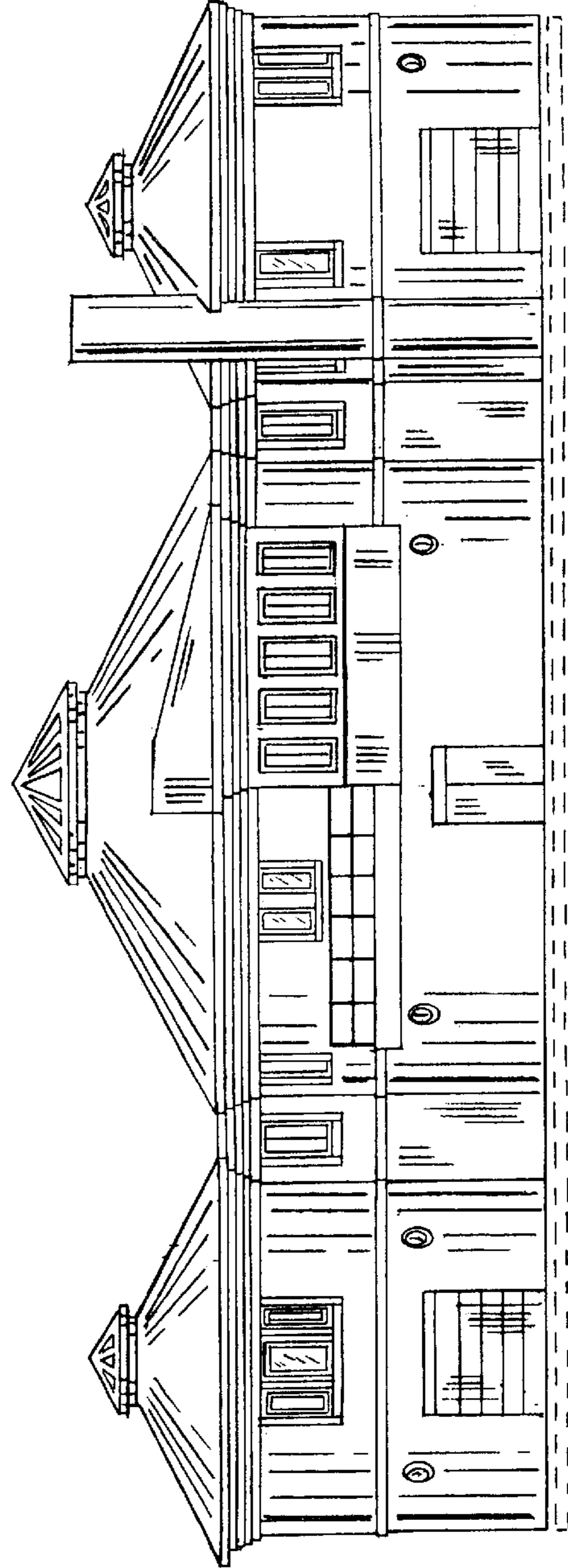


FIG. 2

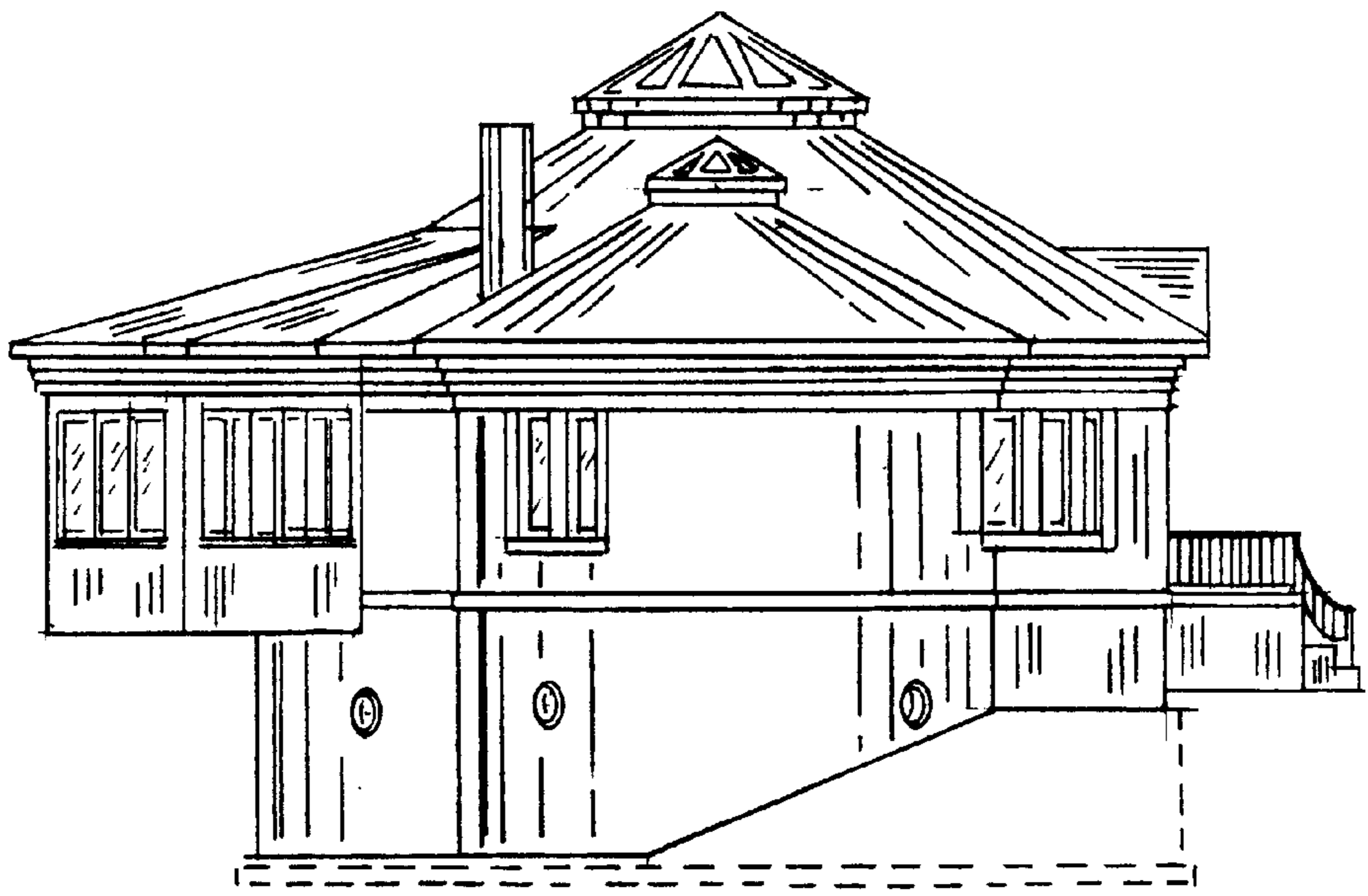


FIG. 3

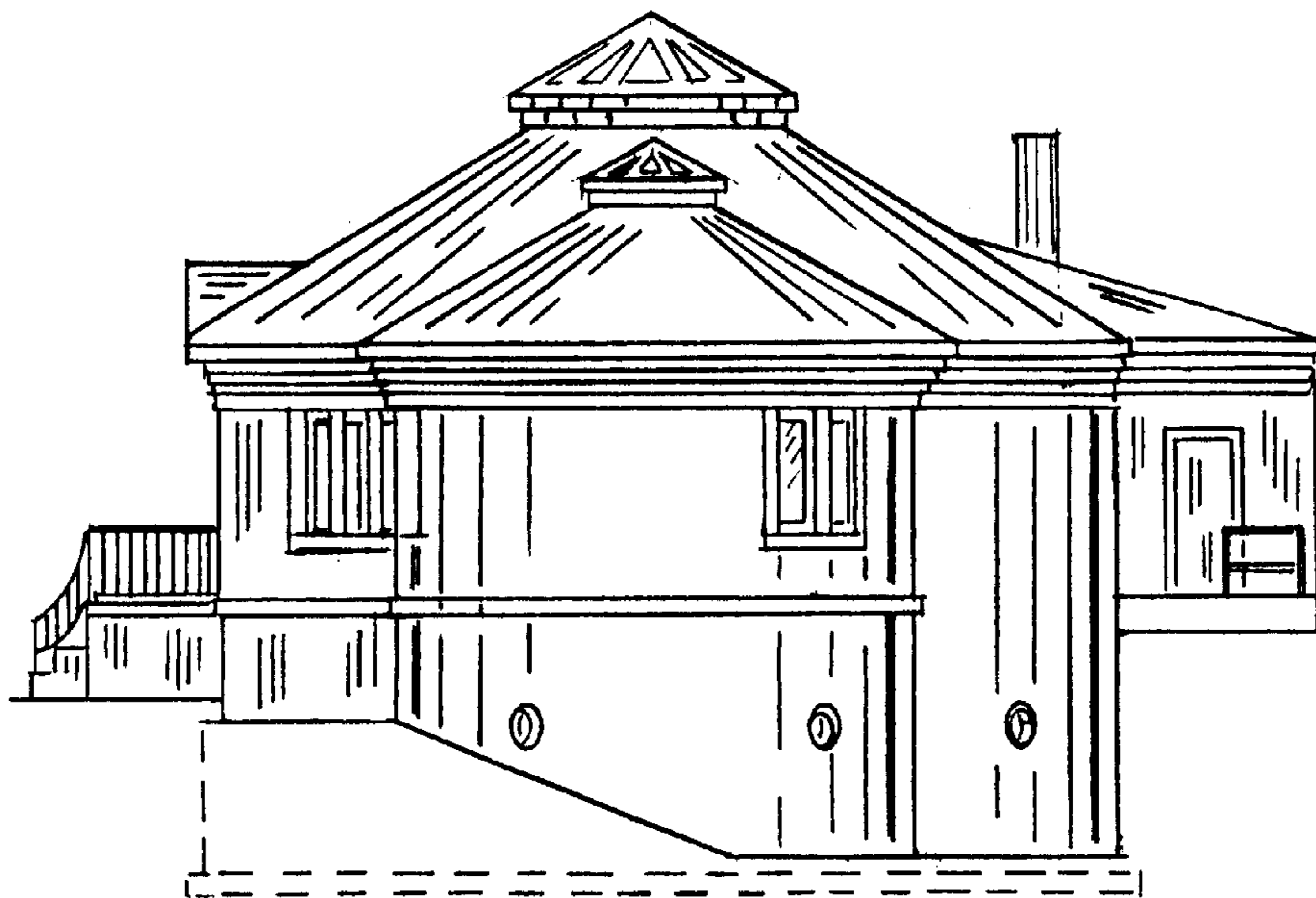


FIG. 4

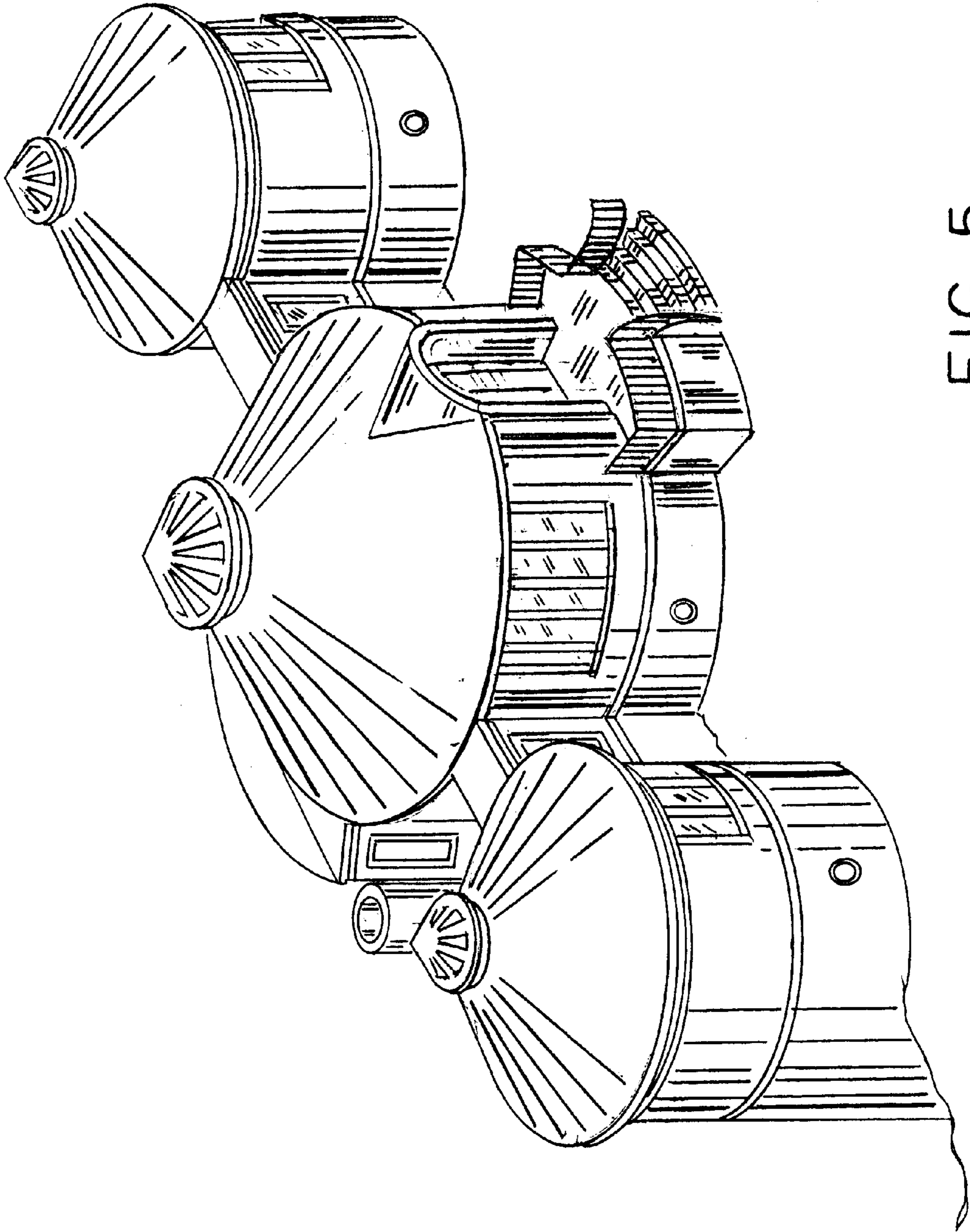


FIG. 5

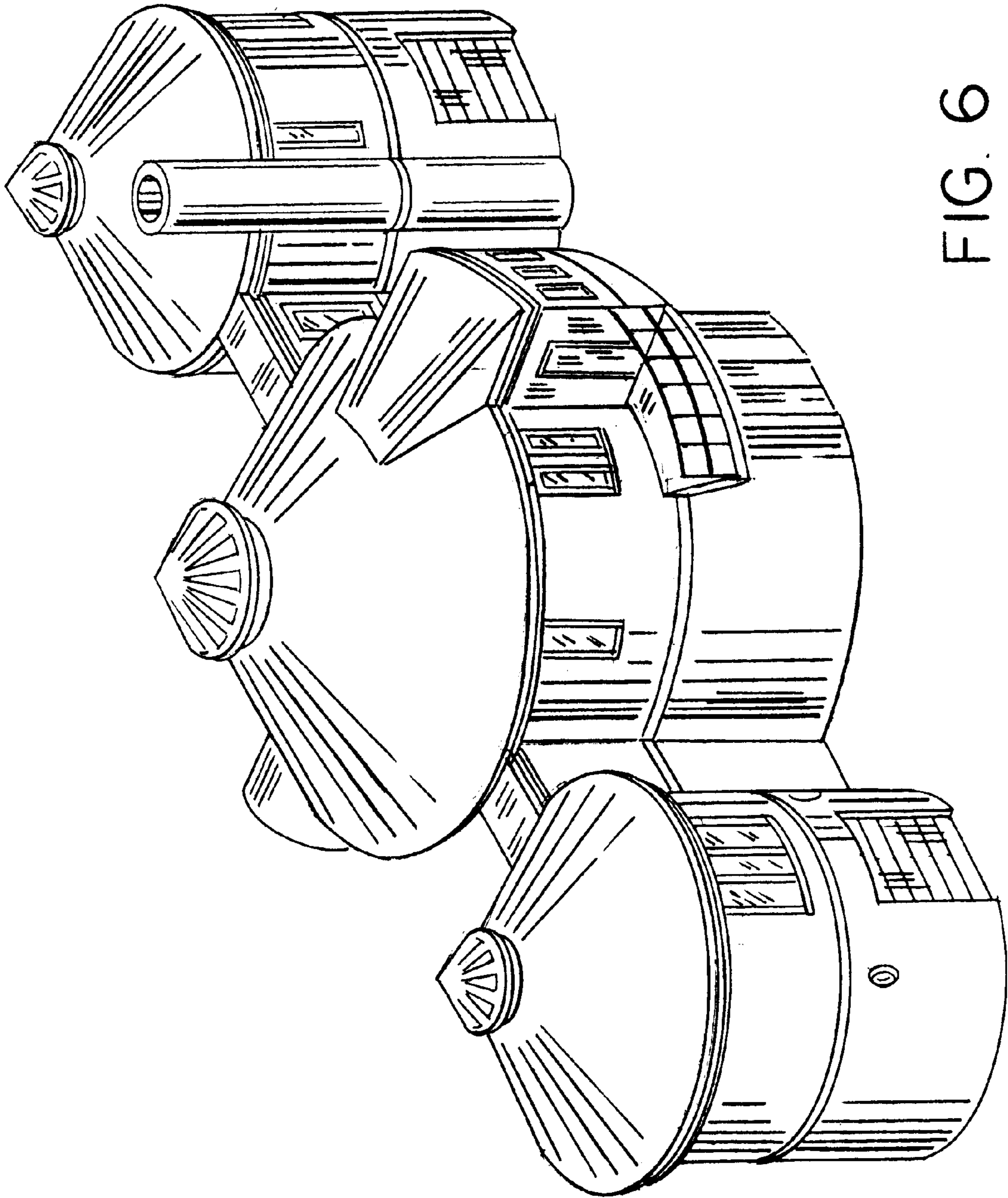


FIG. 6