



US00D432659S

United States Patent [19] Bolleter

[11] Patent Number: Des. 432,659

[45] Date of Patent: ** Oct. 24, 2000

[54] THERAPEUTIC LAMP

5,001,608 3/1991 Kehrl et al. 362/19
5,010,452 4/1991 Krebs et al. 362/19

[75] Inventor: **Heinz Bolleter**, St. Gallenkappel,
Switzerland

Primary Examiner—Stella Reid
Attorney, Agent, or Firm—Price, Gess & Ubell

[73] Assignee: **Aracaria B.V.**, Amsterdam, Netherlands

[57] CLAIM

[**] Term: 14 Years

I claim the ornamental design for a therapeutic lamp, as shown and described.

[21] Appl. No.: 29/115,742

DESCRIPTION

[22] Filed: Dec. 20, 1999

FIG. 1 is a side view of a therapeutic lamp, showing my new design;

[51] LOC (7) Cl. 28-03

FIG. 2 is a front view thereof;

[52] U.S. Cl. D24/210

FIG. 3 is a side view thereof, opposite that shown is FIG. 1;

[58] Field of Search D24/210; 607/90,
607/93, 88; 362/19, 264, 294, 298, 345,
373, 396, 399

FIG. 4 is a back view thereof;

FIG. 5 is a top plan view thereof;

FIG. 6 is a bottom view thereof; and,

FIG. 7 is a perspective view thereof.

[56] References Cited

The handable apparatus shown in the drawings is a polarized light-radiating therapeutical lamp for biostimulating with polarized light. Said apparatus especially serves as a therapeutical lamp, by which a ray beam of polarized light is radiated with a defined intensity and wavelength.

U.S. PATENT DOCUMENTS

D. 86,662	4/1932	Bunzl	D24/210
D. 147,600	9/1947	Simon et al.	D24/210
D. 197,908	4/1964	Chaffee	D24/210
D. 400,258	10/1998	Bolleter	.	
4,658,823	4/1987	Beddoe et al.	607/90

1 Claim, 7 Drawing Sheets

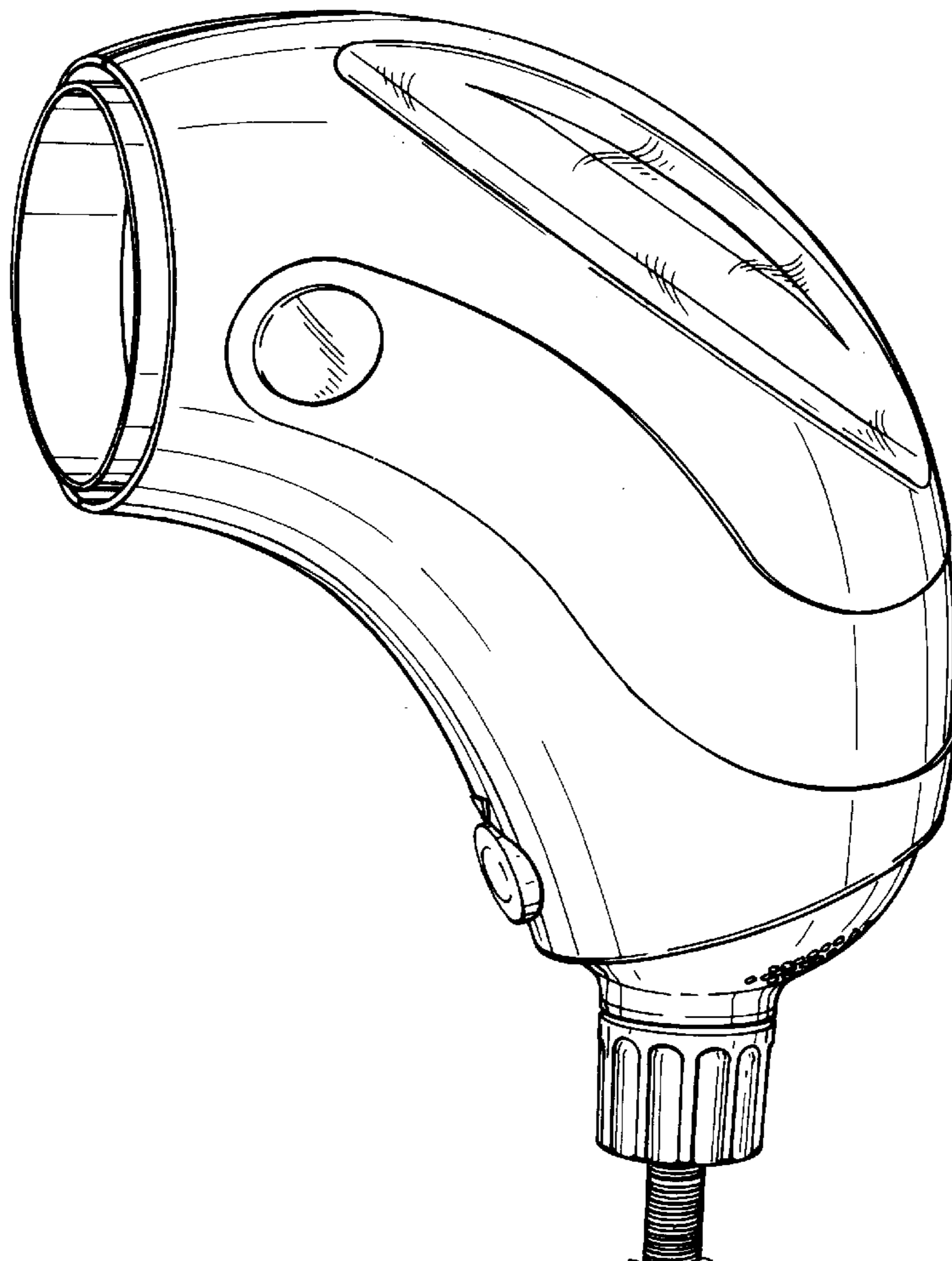


Fig. 1

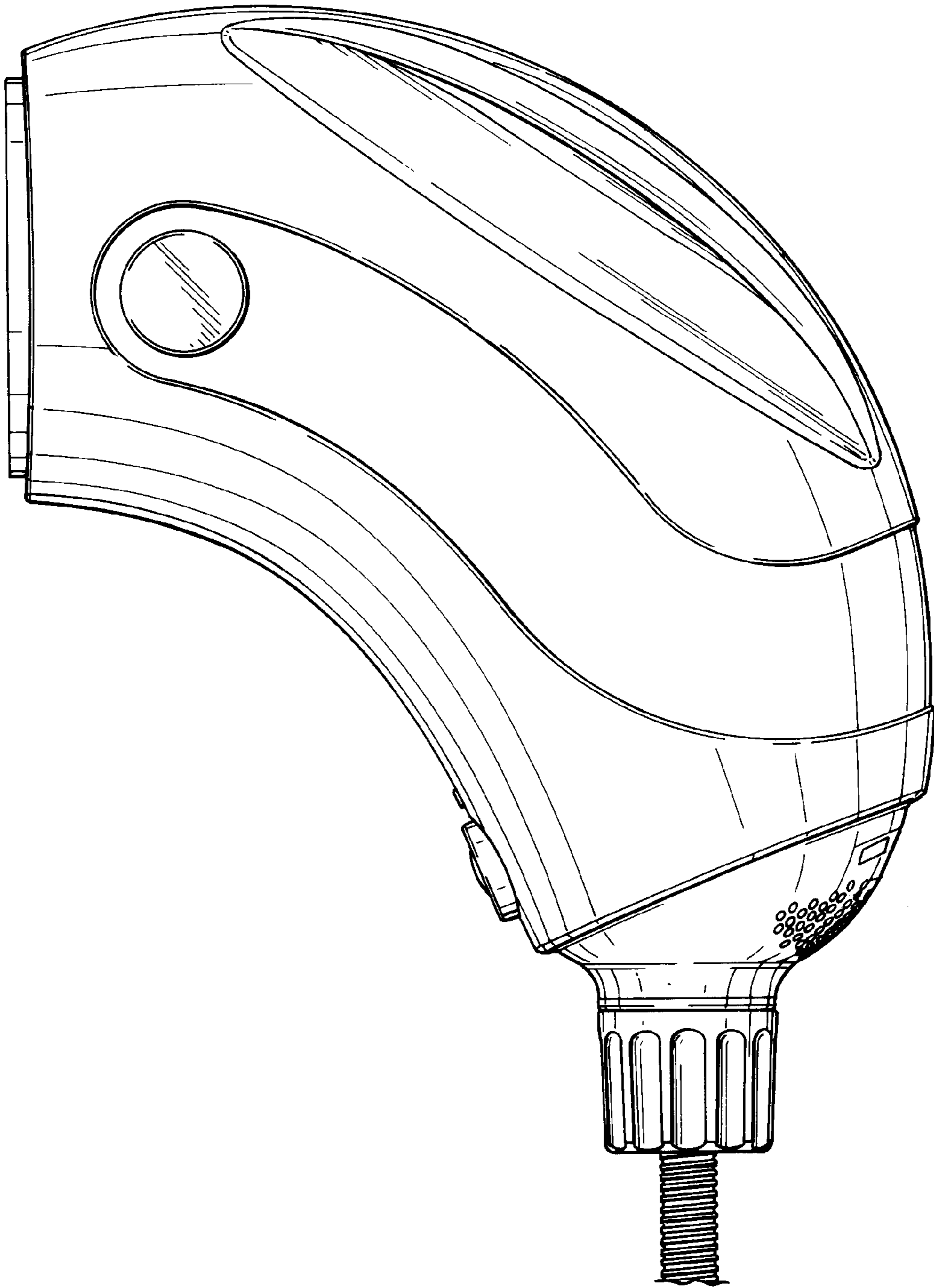


Fig. 2

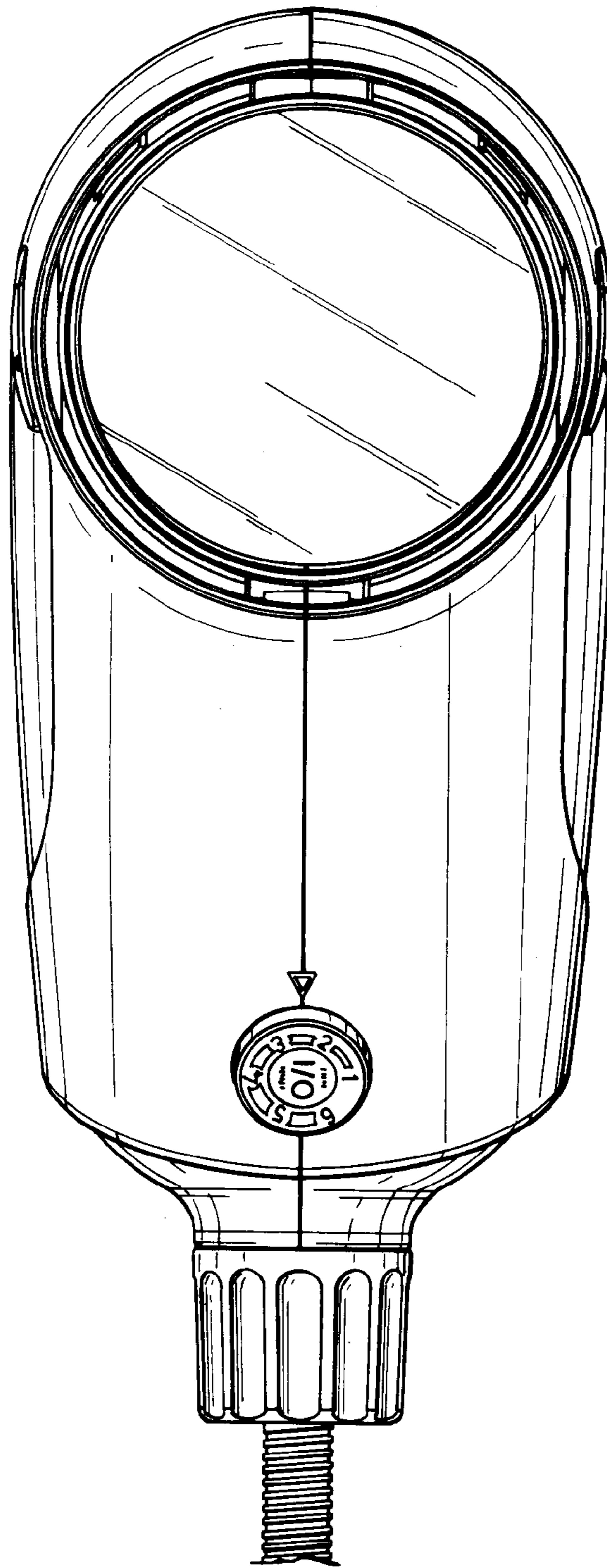


Fig. 3

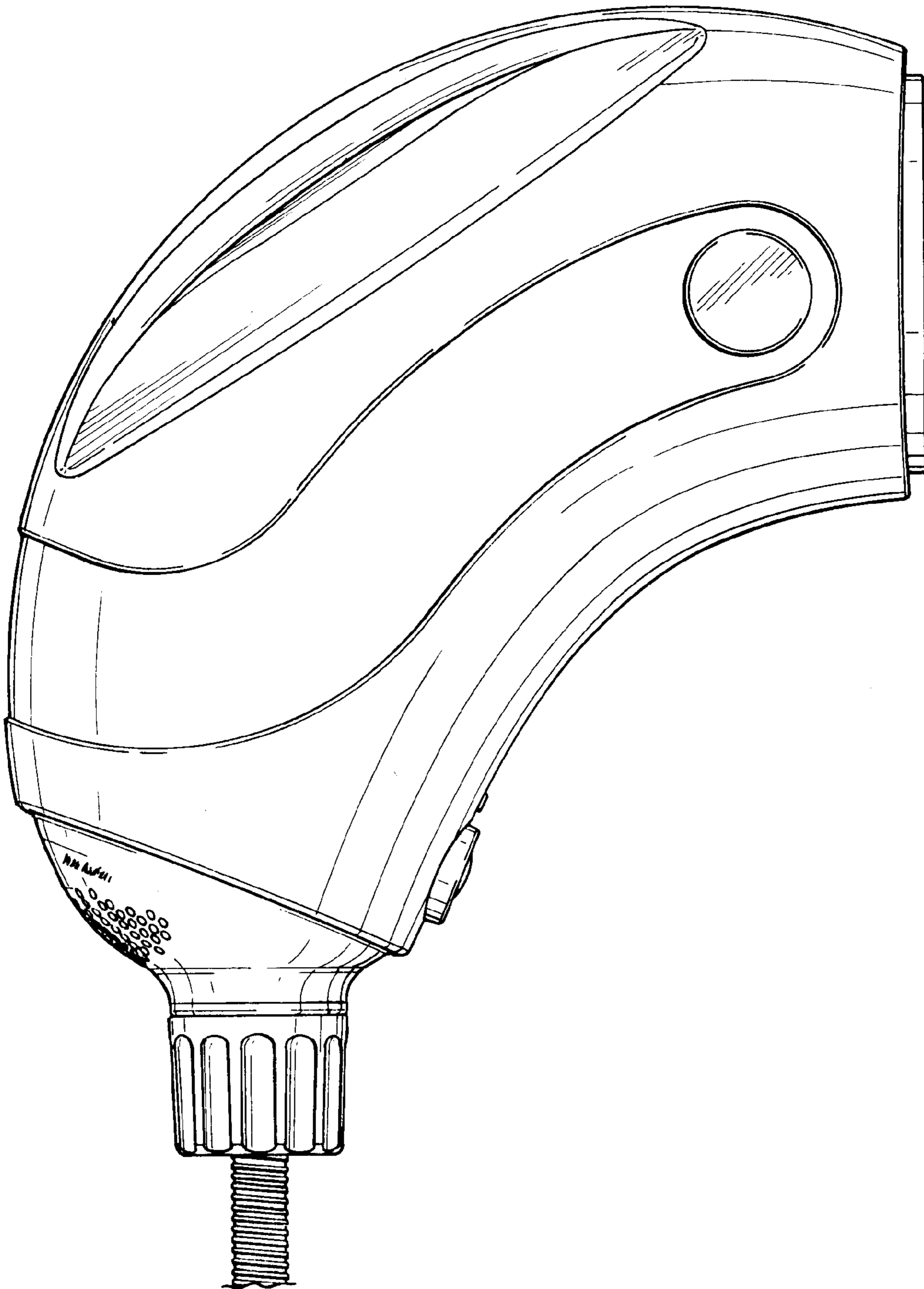


Fig. 4

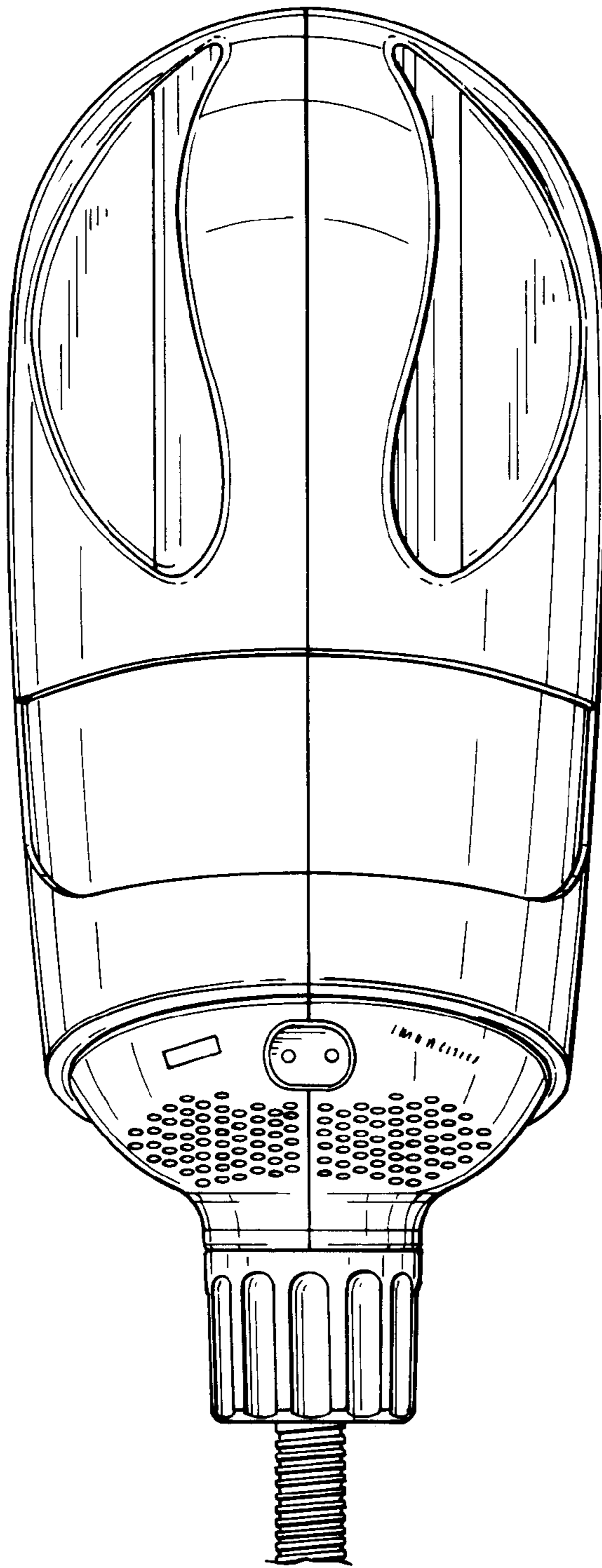


Fig. 5

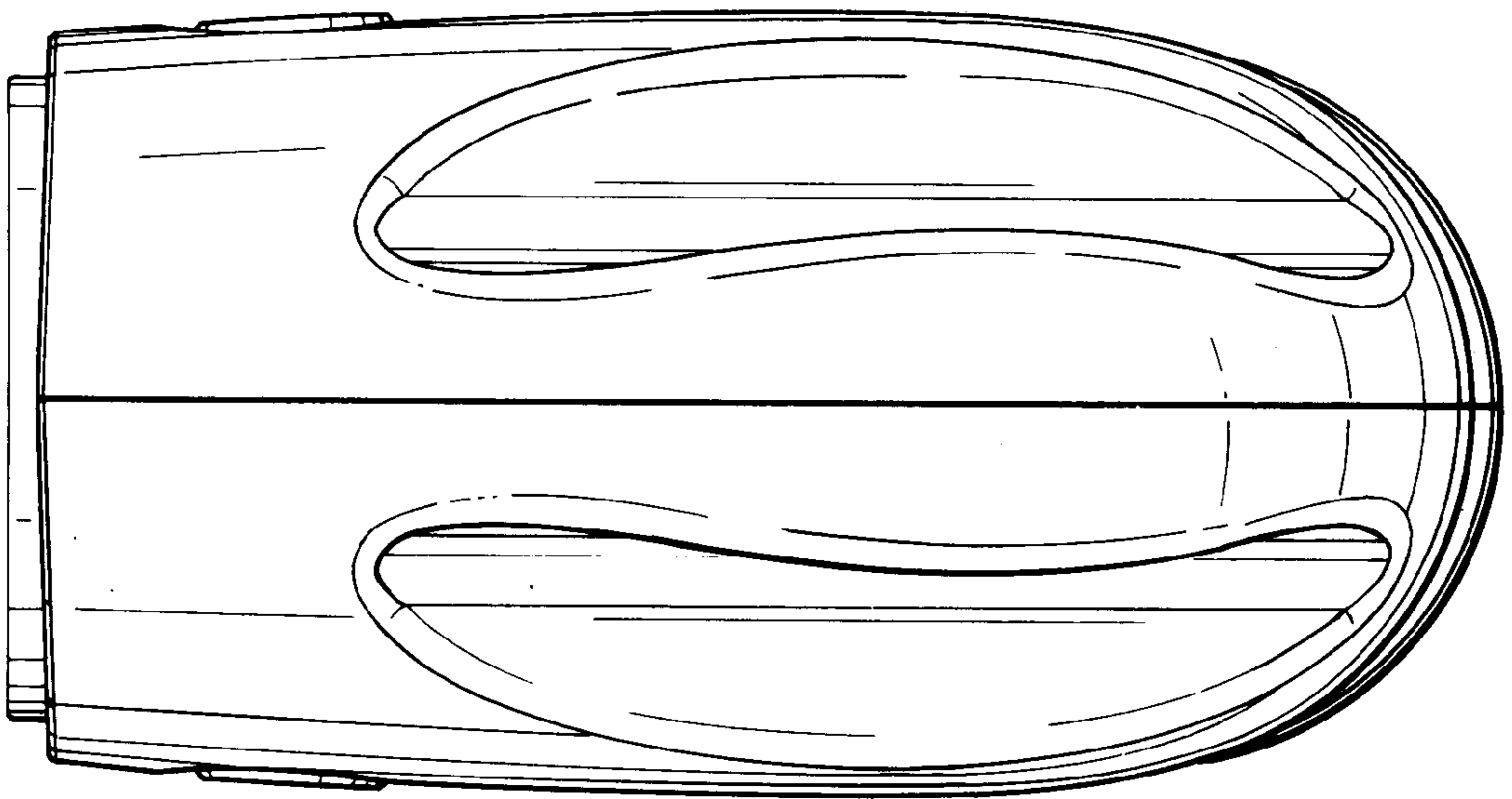


Fig. 6

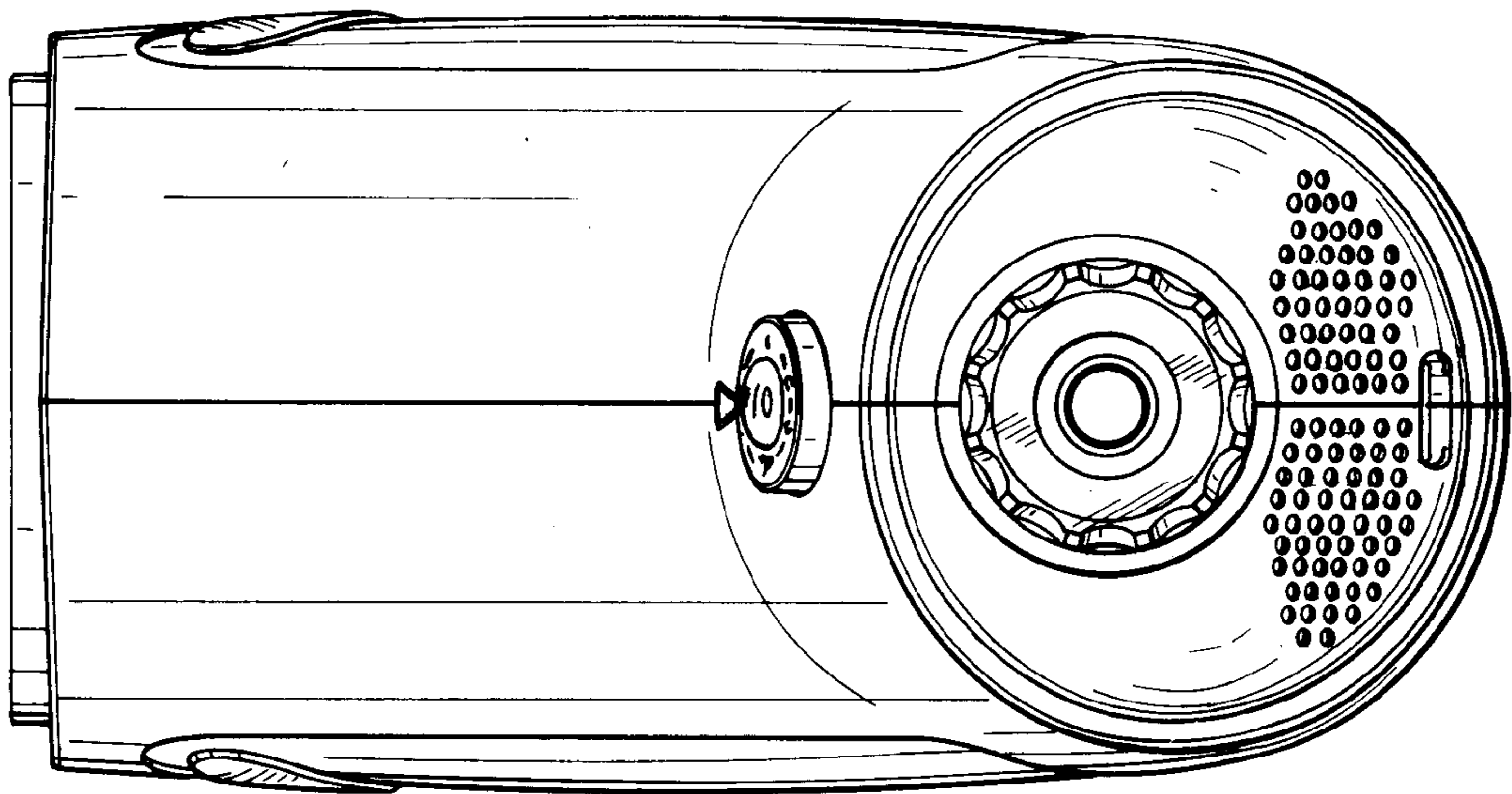


Fig. 7

