

US00D432655S

# United States Patent [19] Benders

[11] **Patent Number: Des. 432,655**

[45] **Date of Patent: \*\* Oct. 24, 2000**

[54] **COMPUTED TOMOGRAPHY SCANNER**

D. 323,711 2/1992 Takekoshi et al. .... D24/159  
D. 364,927 12/1995 Murakami et al. .... D24/159  
D. 399,958 10/1998 Hiramatsu ..... D24/158

[75] Inventor: **Arjen Benders**, Eindhoven, Netherlands

[73] Assignee: **U.S. Philips Corporation**, New York, N.Y.

*Primary Examiner*—Stella Reid  
*Attorney, Agent, or Firm*—Ernestine C. Bartlett

[\*\*] Term: **14 Years**

[57] **CLAIM**

[21] Appl. No.: **29/109,267**

The ornamental design for a computed tomography scanner, as shown.

[22] Filed: **Aug. 12, 1999**

### Related U.S. Application Data

### DESCRIPTION

[63] Continuation-in-part of application No. 29/094,600, Oct. 6, 1998, Pat. No. Des. 417,734.

FIG. 1 is a perspective view showing my design;

[51] **LOC (7) Cl.** ..... **24-01**

FIG. 2 is a front elevational view thereof;

[52] **U.S. Cl.** ..... **D24/158**

FIG. 3 is a rear elevational view thereof;

[58] **Field of Search** ..... D24/158, 159;  
378/4, 15, 17, 19, 20-27

FIG. 4 is a right side elevational view thereof;

FIG. 5 is a left side elevational view thereof;

FIG. 6 is a top plan view thereof; and,

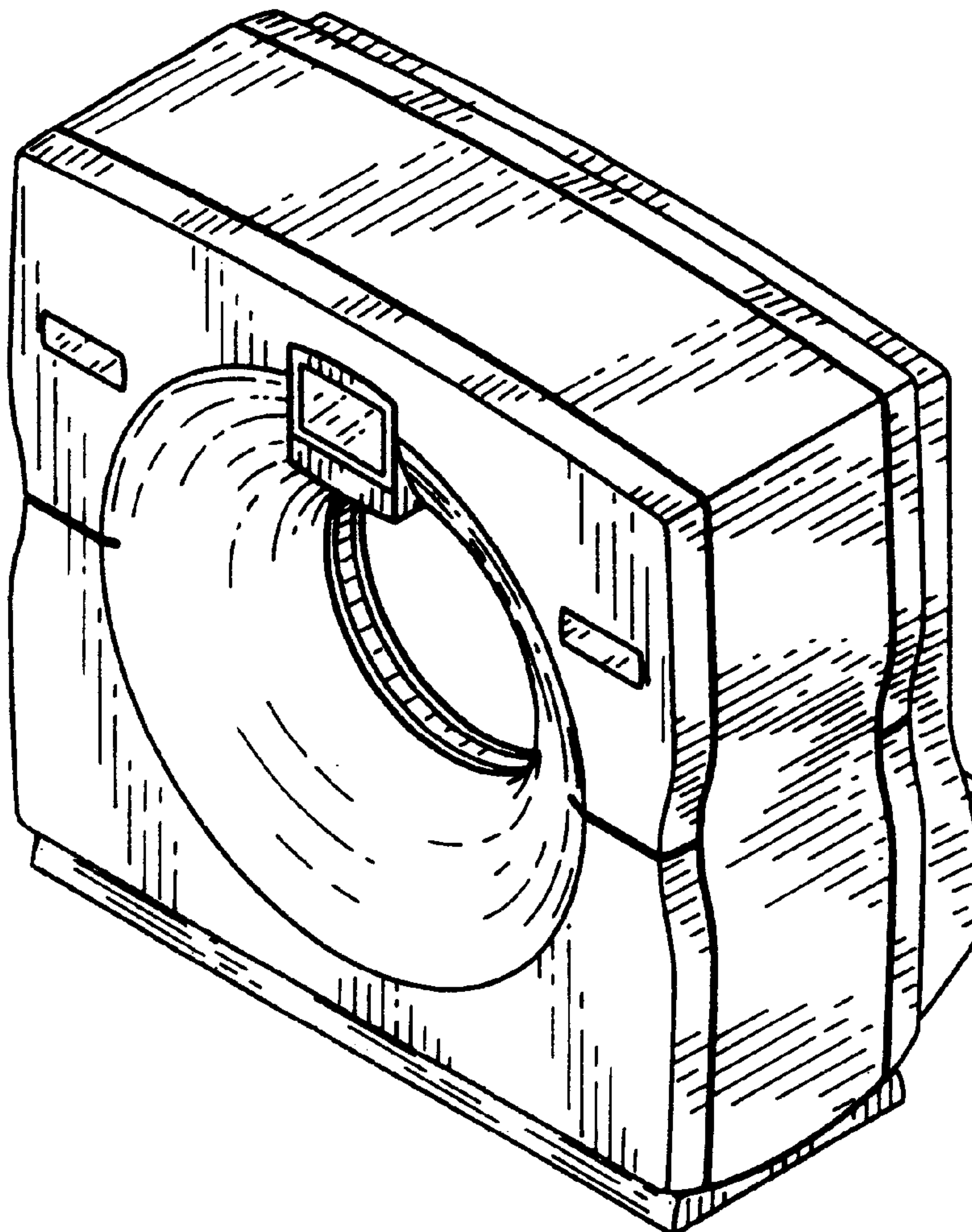
FIG. 7 is a bottom plan view thereof.

[56] **References Cited**

### U.S. PATENT DOCUMENTS

D. 283,729 5/1986 Ramsey ..... D24/158

**1 Claim, 4 Drawing Sheets**



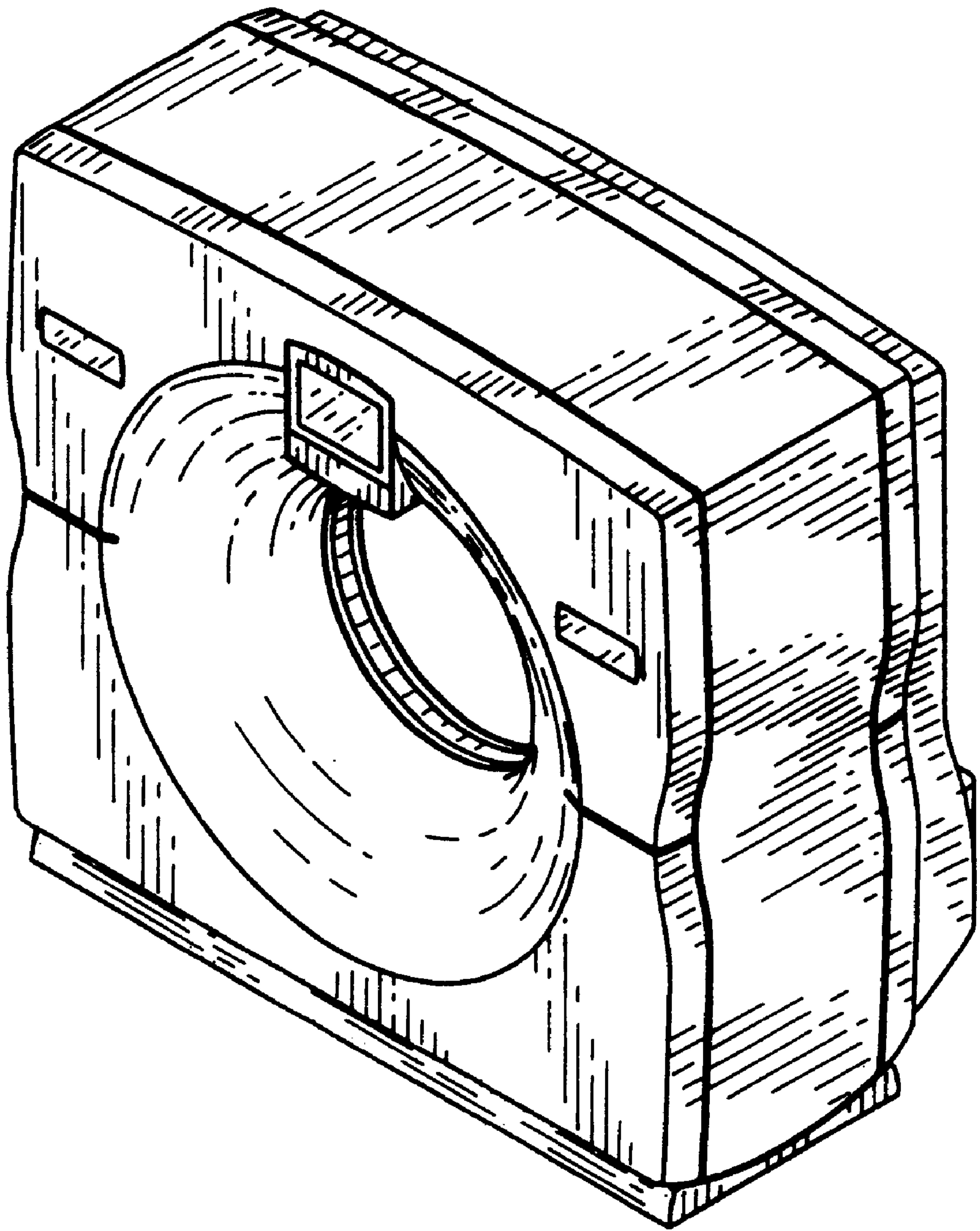


FIG. 1

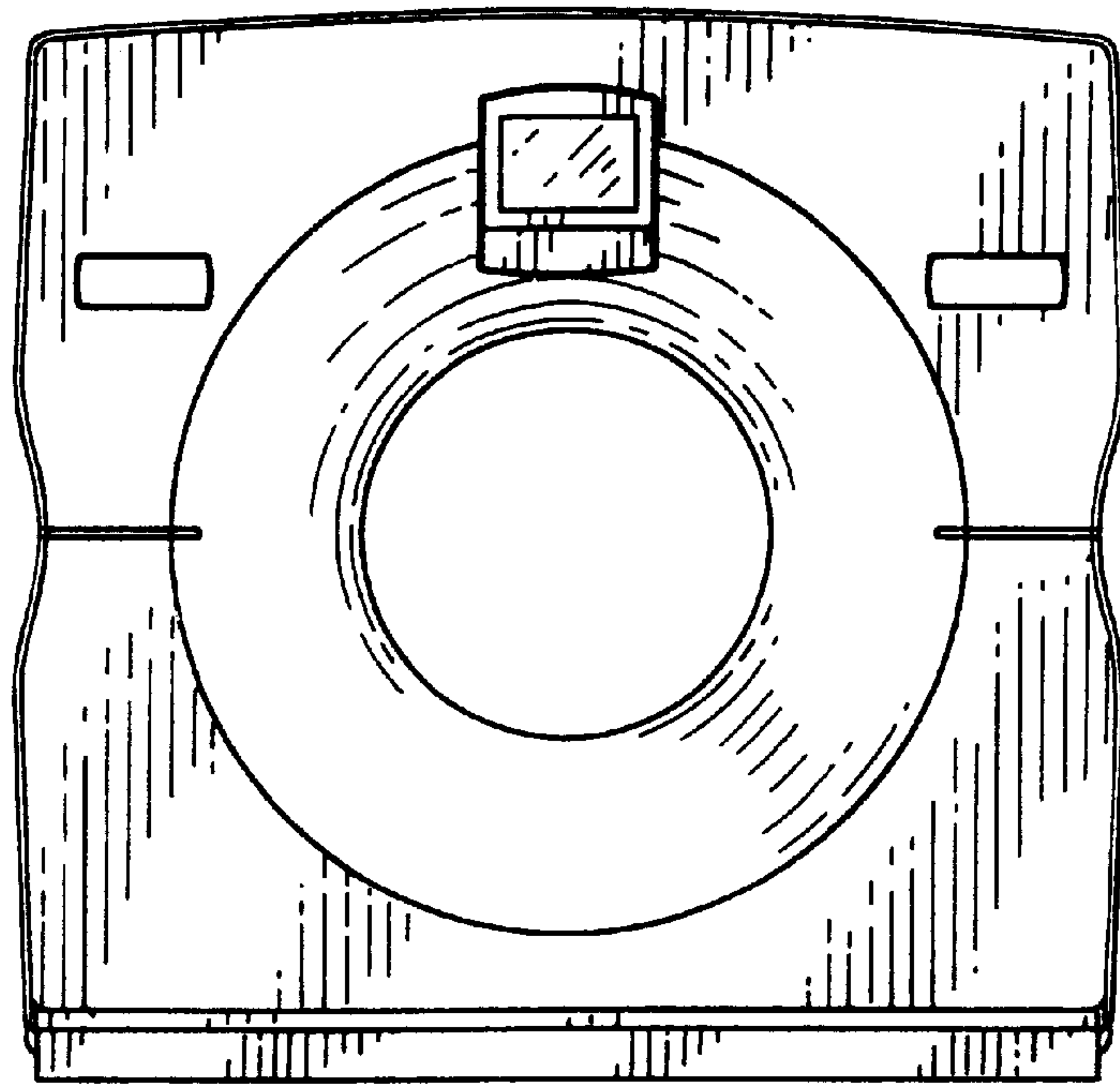


FIG. 2

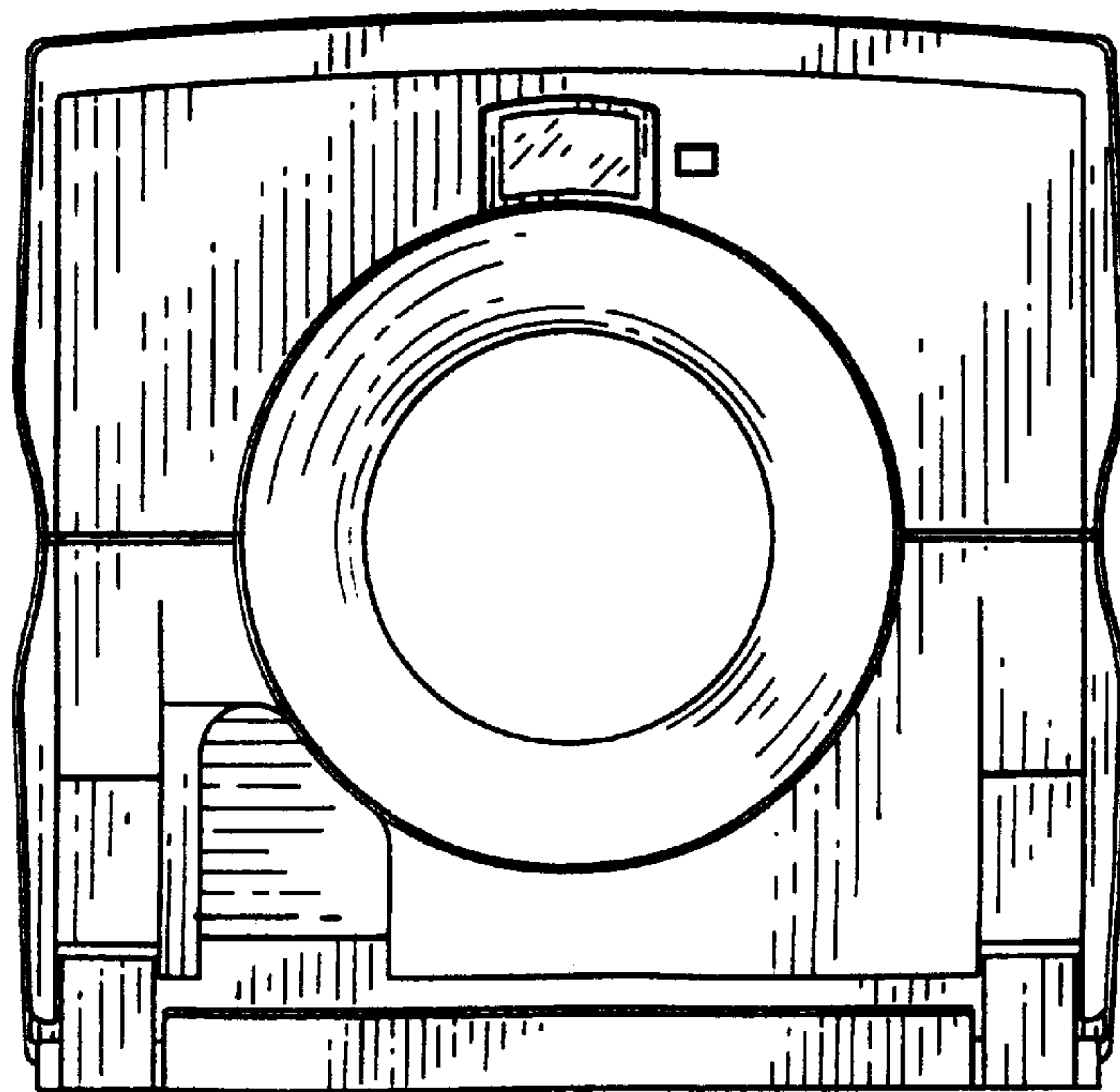


FIG. 3

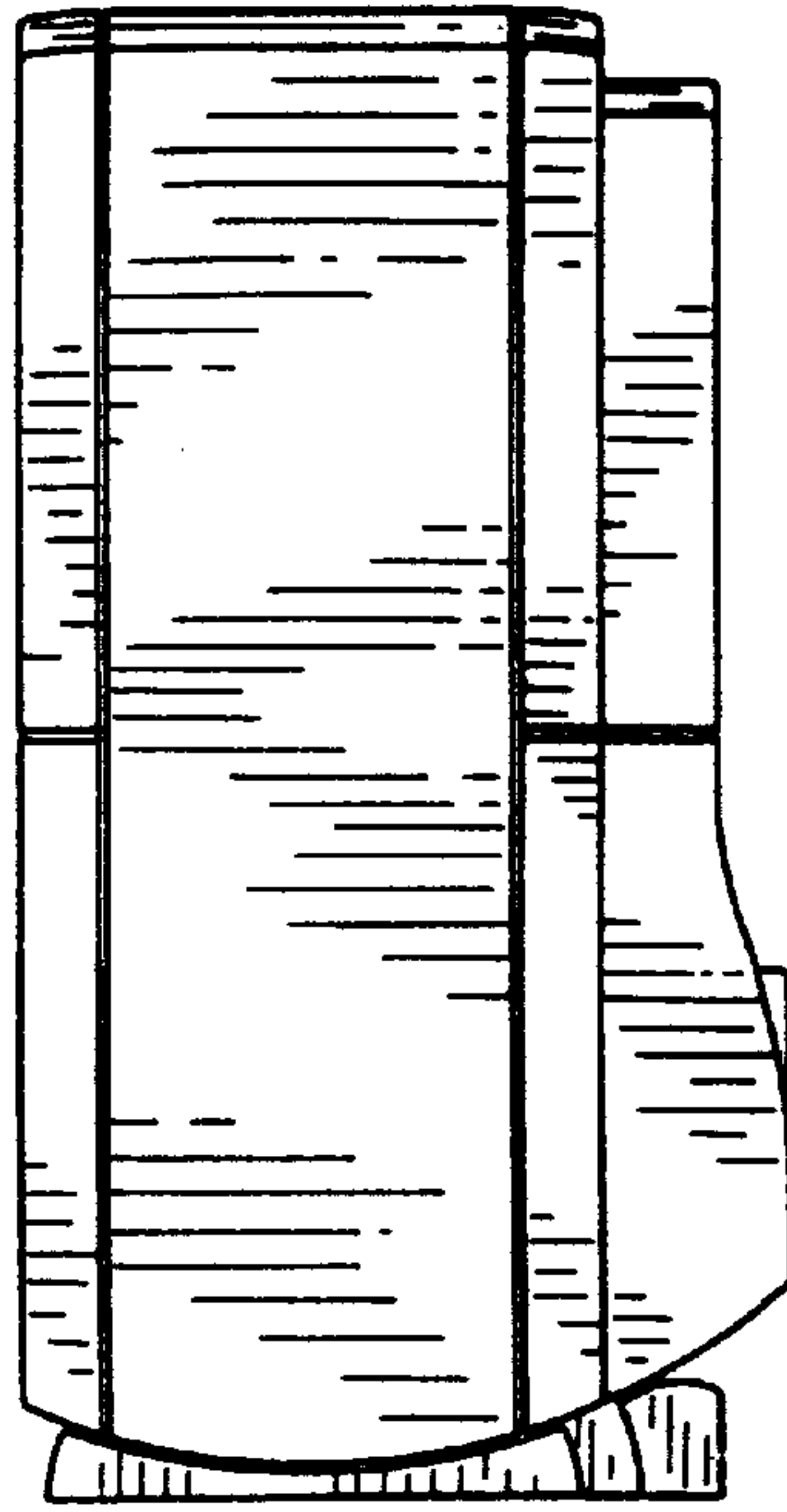


FIG. 4

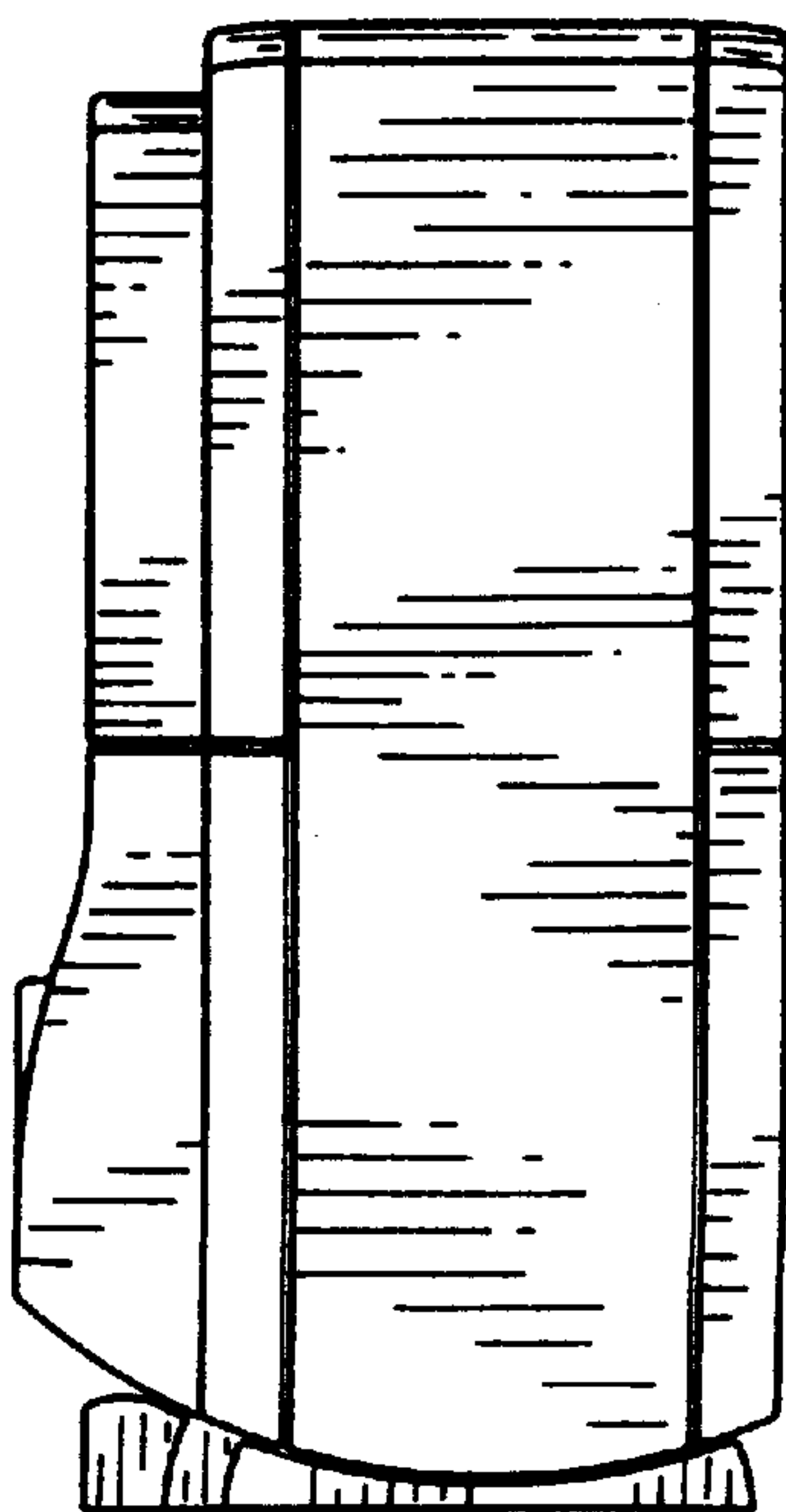


FIG. 5



FIG. 6

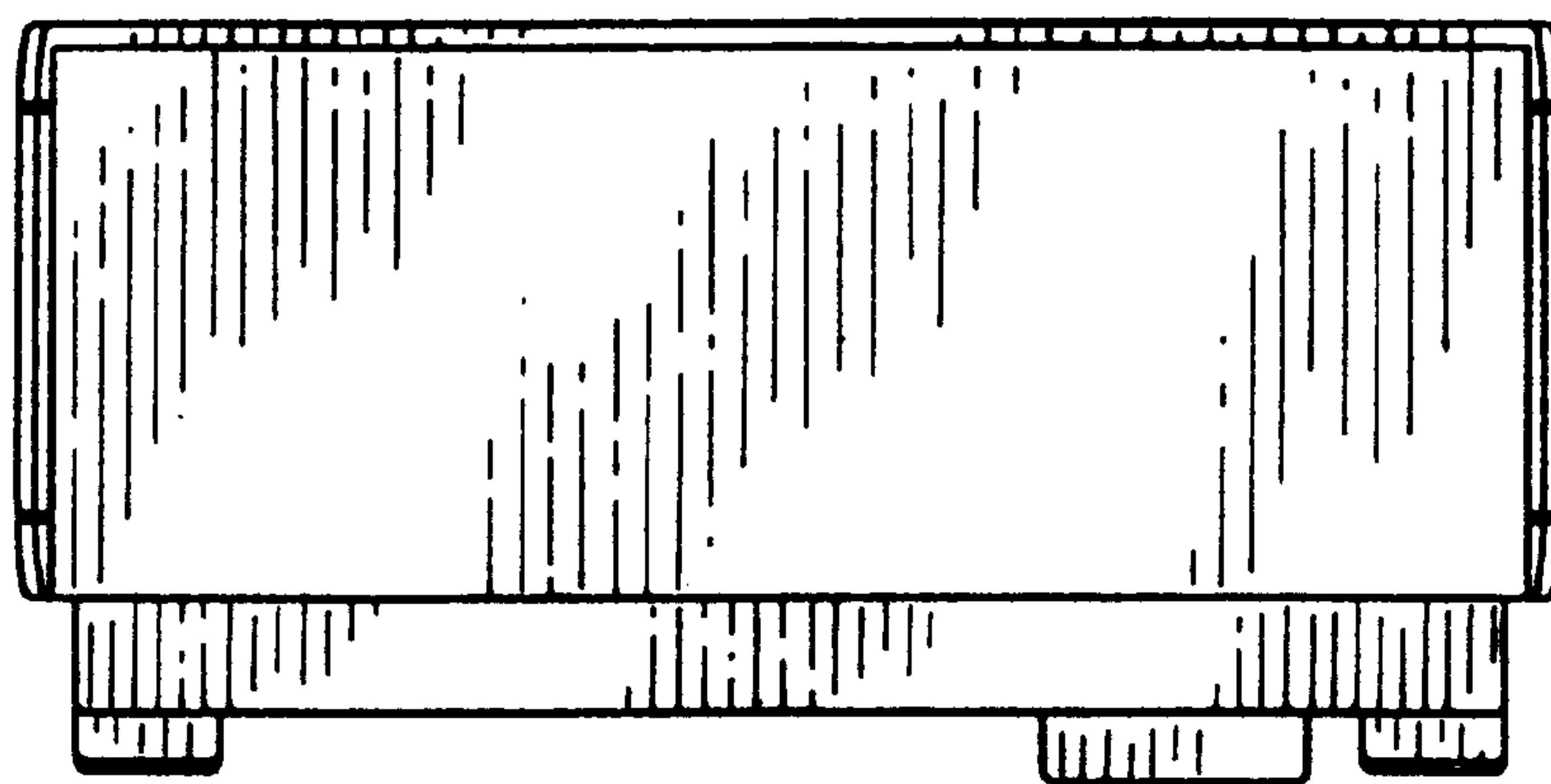


FIG. 7