



US00D432652S

United States Patent [19]
Ierulli

[11] **Patent Number: Des. 432,652**

[45] **Date of Patent: ** Oct. 24, 2000**

[54] **NOSTRIL DILATOR**

5,961,537 10/1999 Gould 606/204.45

[76] Inventor: **Joseph V. Ierulli**, 3926 SW. Water Ave., Portland, Oreg. 97201

Primary Examiner—Ian Simmons
Attorney, Agent, or Firm—Olson and Olson

[**] Term: **14 Years**

[57] **CLAIM**

[21] Appl. No.: **29/095,684**

The ornamental design for a nostril dilator, as shown and described.

[22] Filed: **Oct. 28, 1998**

DESCRIPTION

[51] **LOC (7) Cl.** **24-02**

[52] **U.S. Cl.** **D24/135**

[58] **Field of Search** D24/135, 189,
D24/106; 606/199, 204.45; 128/889, 848,
858, 893, 894

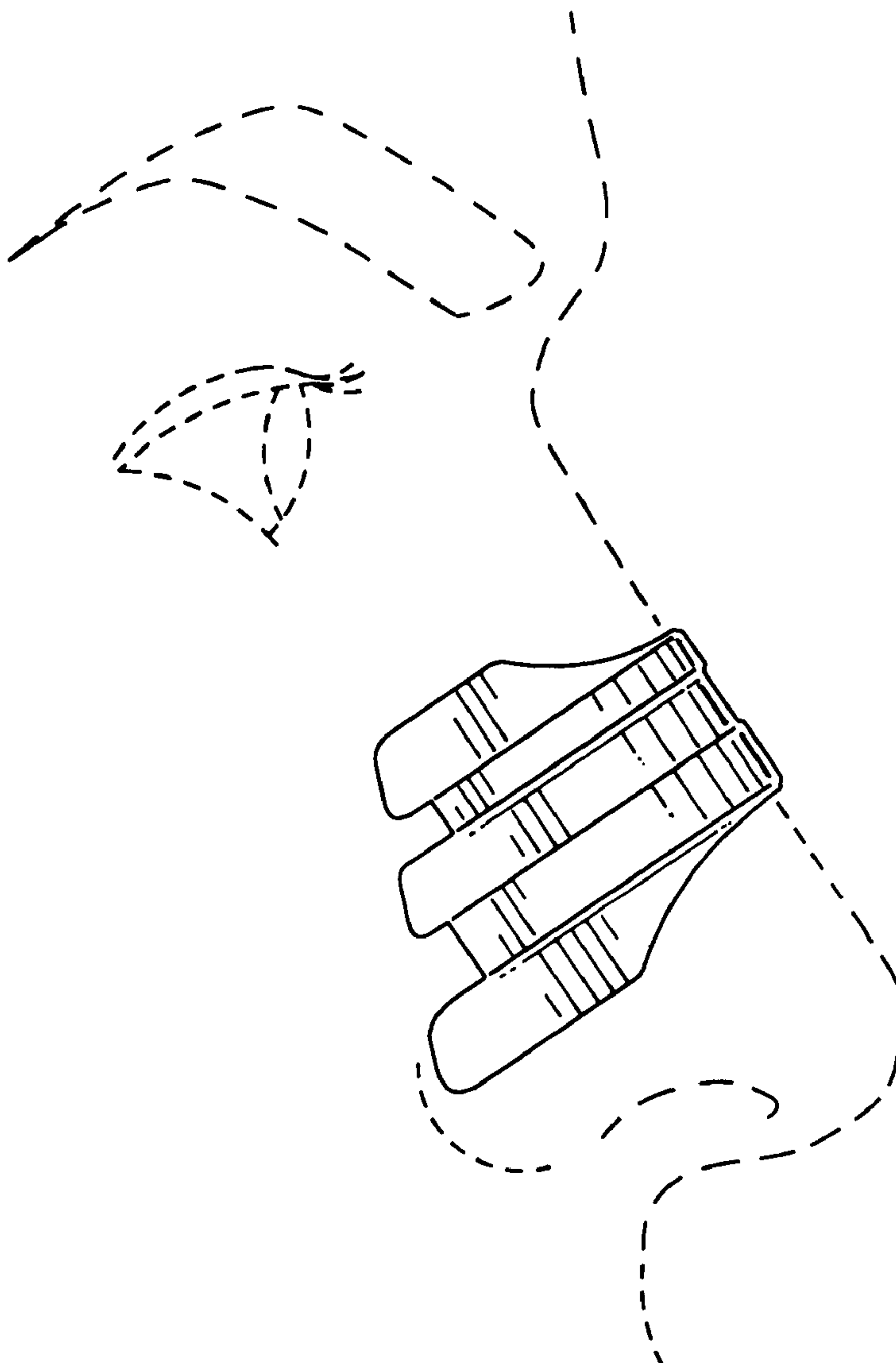
FIG. 1 is a side elevational view shown in use of a nostril dilator showing my new design. The broken line showing of a person is for illustrative purposes only and forms no part of the claimed design;
FIG. 2 is a top plan view thereof;
FIG. 3 is a front elevational view thereof;
FIG. 4 is a rear elevational view thereof;
FIG. 5 is a right side elevational view thereof, the left side elevational view being a mirror image thereto; and,
FIG. 6 is a bottom plan view thereof.

[56] **References Cited**

U.S. PATENT DOCUMENTS

- D. 379,513 5/1997 Ierulli D24/135
- 5,769,089 6/1998 Hand et al. 128/858
- 5,842,469 12/1998 Rapp et al. 606/204.45

1 Claim, 1 Drawing Sheet



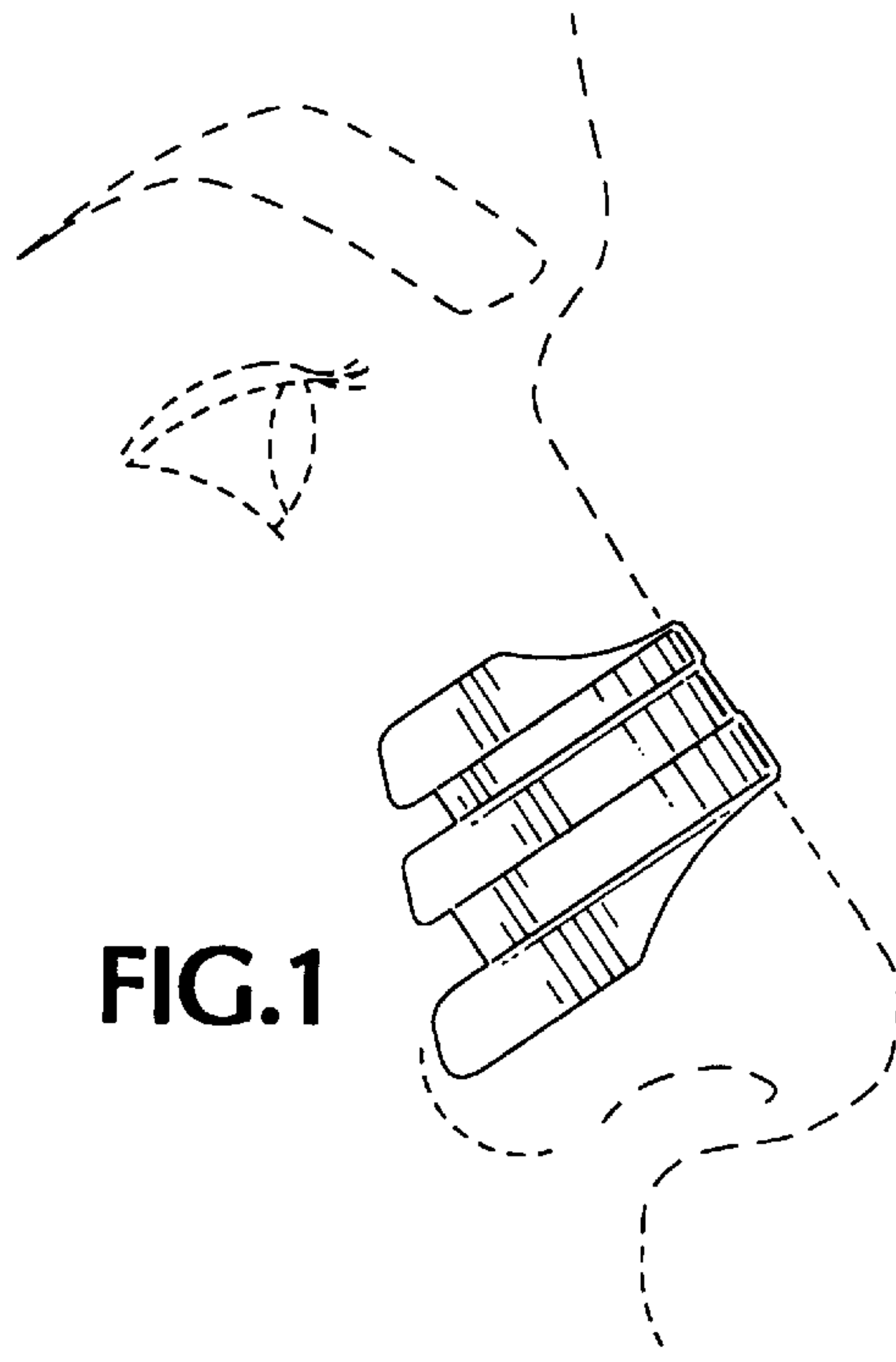


FIG. 1



FIG. 3

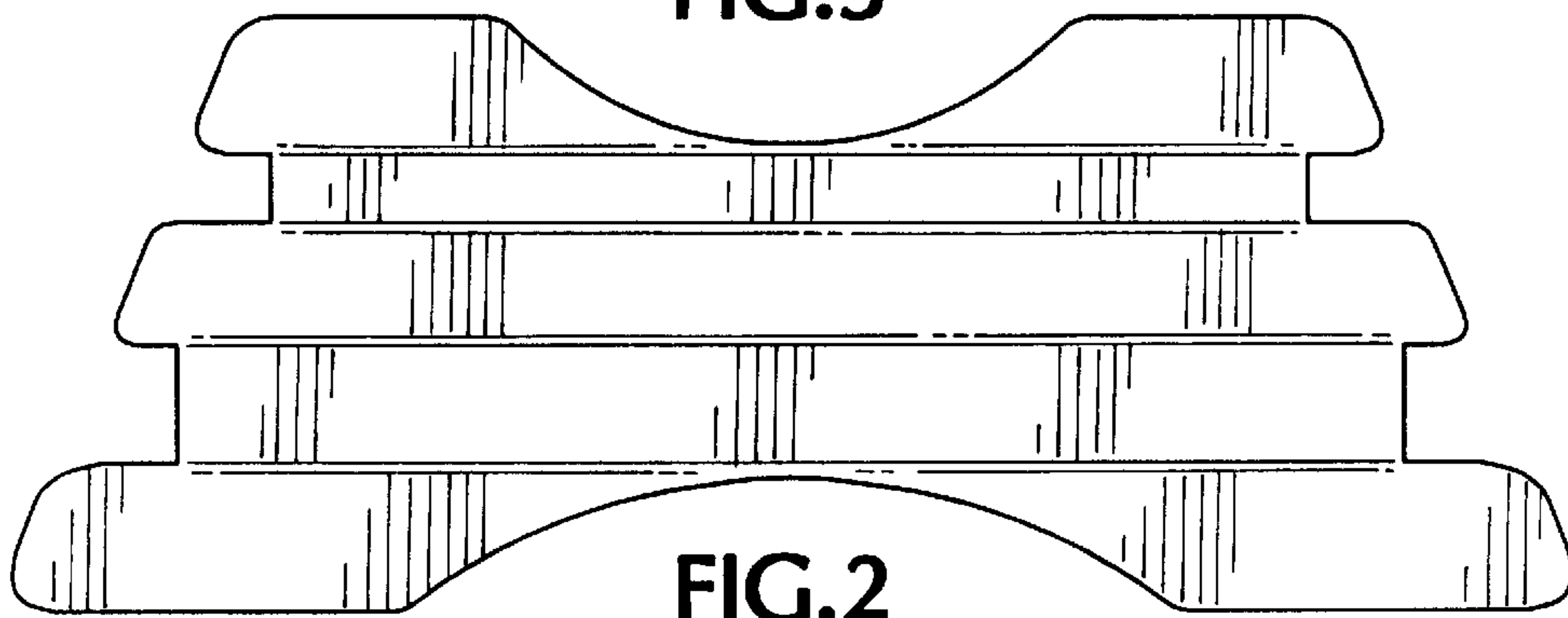


FIG. 2



FIG. 5



FIG. 4

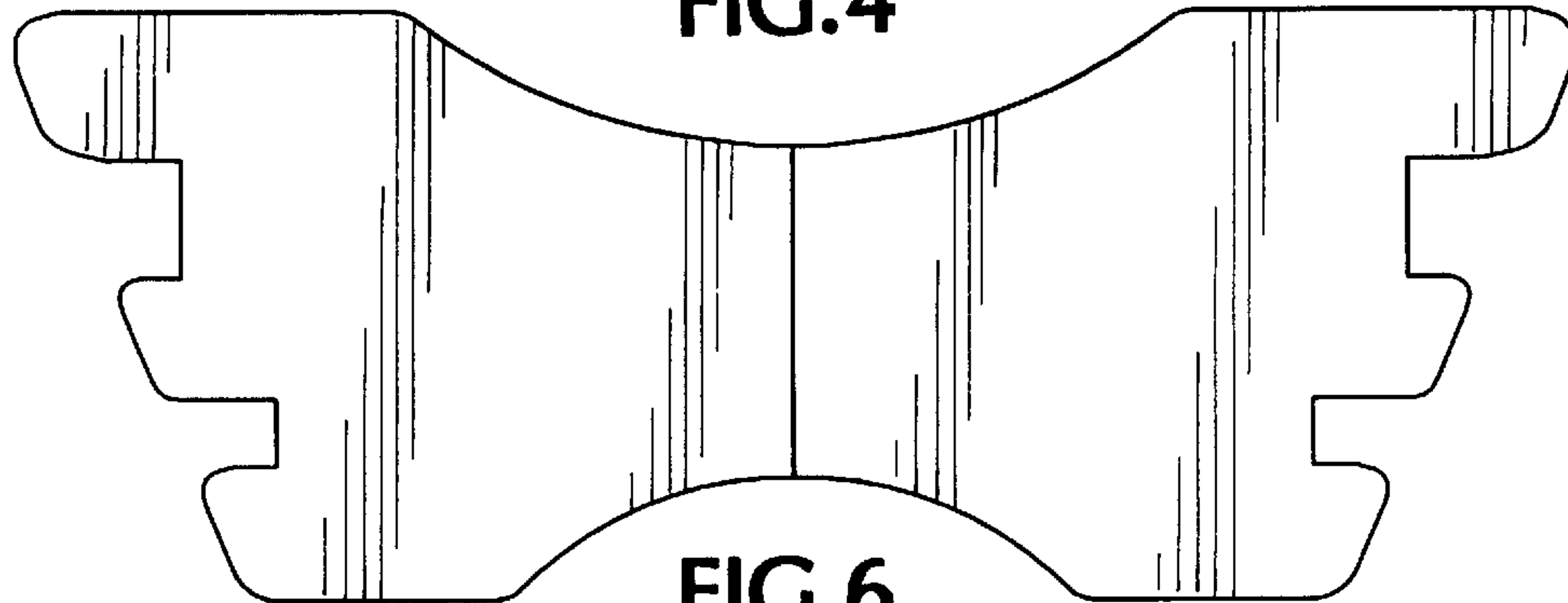


FIG. 6