

US00D432651S

United States Patent [19]

[11] Patent Number: Des. 432,651

Wiechman et al.

[45] Date of Patent: ** Oct. 24, 2000

[54] PORTABLE URINAL HOLDER
[76] Inventors: **Deborah Ann Wiechman; Mark Adam Wiechman**, both of 8195 Mallard Way, Millville, Calif. 96062

5,464,183 11/1995 McConnell et al. 248/311.2
5,622,346 4/1997 Story, Jr. 248/311.2
5,626,318 5/1997 Boettger et al. 248/311.2
5,911,222 6/1999 Lawrence et al. 604/317

[**] Term: 14 Years

Primary Examiner—Alan P. Douglas
Assistant Examiner—Reid Hecker
Attorney, Agent, or Firm—Boutin, Dentino, Gibson, Di Giusto, Hodell & West; R. Michael West

[21] Appl. No.: 29/107,984

[22] Filed: Jul. 16, 1999

[57] CLAIM

Related U.S. Application Data

The ornamental design for a portable urinal holder, as shown and described.

[63] Continuation-in-part of application No. 09/100,192, Jun. 18, 1998, abandoned.

DESCRIPTION

[51] **LOC (7) Cl.** 24-02
[52] **U.S. Cl.** D24/128
[58] **Field of Search** D24/128; 248/311.2, 248/214; 604/322, 317; 215/399; D3/202, 215, 229, 316; D7/601, 602; 224/148.1, 148.4, 148.7, 901.4

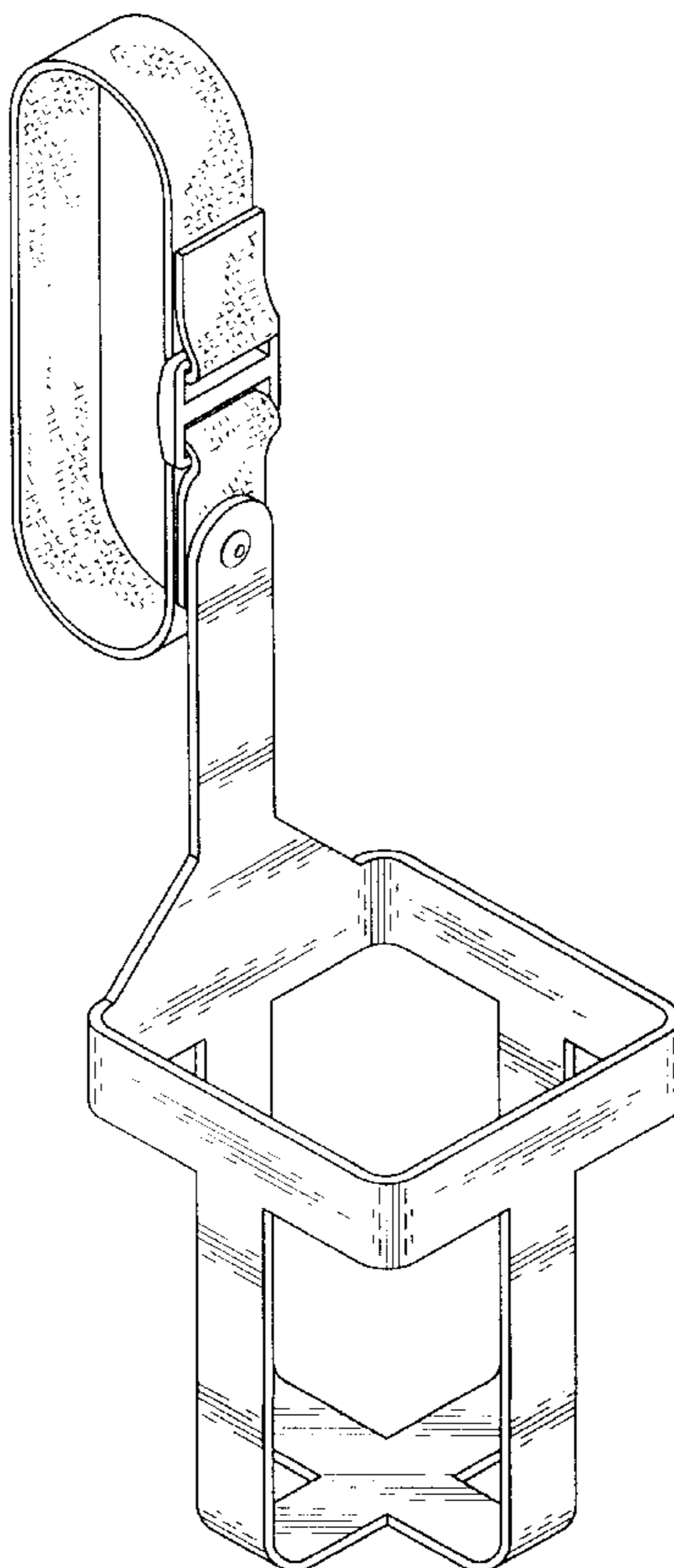
FIG. 1 is a perspective view of a Portable Urinal Holder, showing our new design;
FIG. 2 is a front elevational view, thereof;
FIG. 3 is a top plan view, thereof;
FIG. 4 bottom plan view, thereof;
FIG. 5 is a rear elevational view, thereof;
FIG. 6 is a side elevational view, the opposite side elevational view being a mirror image, thereof; and,
FIG. 7 is a perspective view substantially as in FIG. 1, the broken line representative of a urinal and a fragmentary portion of a patient's bed frame being included solely for illustrative purposes, and forming no part of the claimed design.

[56] References Cited

U.S. PATENT DOCUMENTS

D. 90,966 11/1933 Bach 248/311.2
D. 227,043 5/1973 Van Den Berg D3/229
307,929 11/1884 Edwards 248/311.2
3,045,962 7/1962 Paulus 248/311.2
3,269,683 8/1966 Shinaver 248/311.2

1 Claim, 3 Drawing Sheets



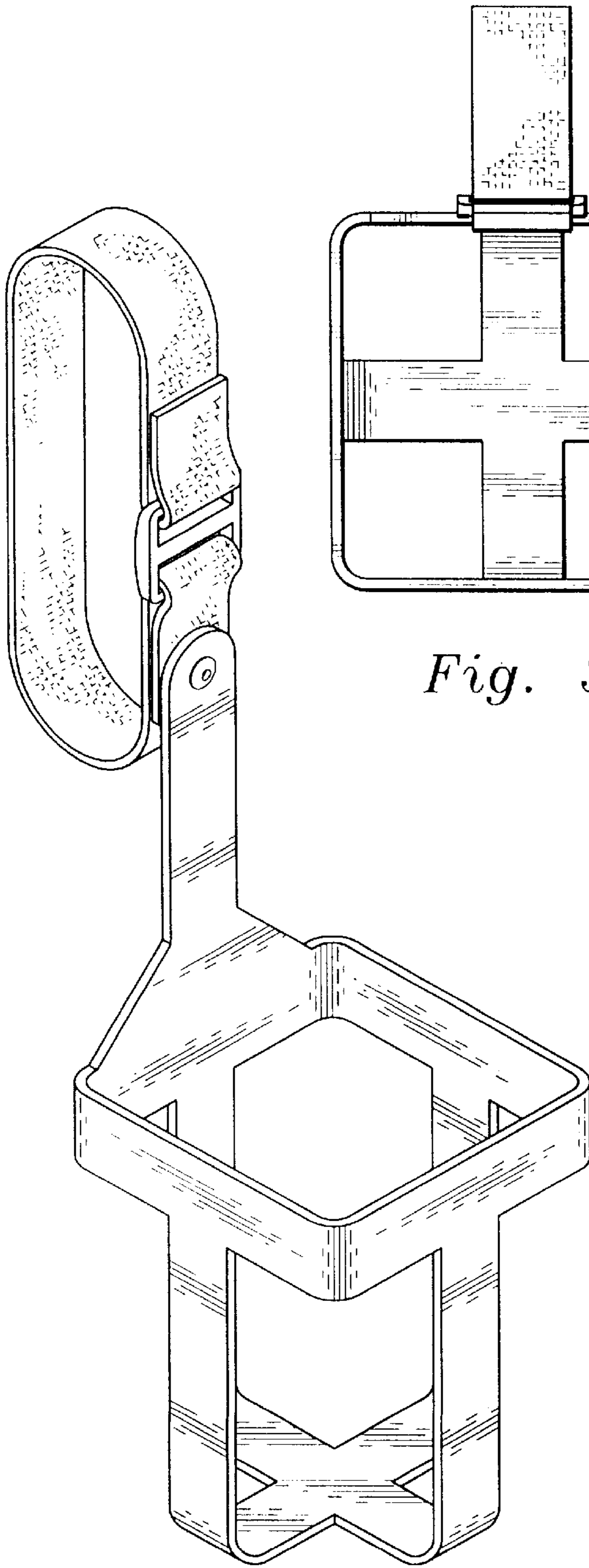


Fig. 1

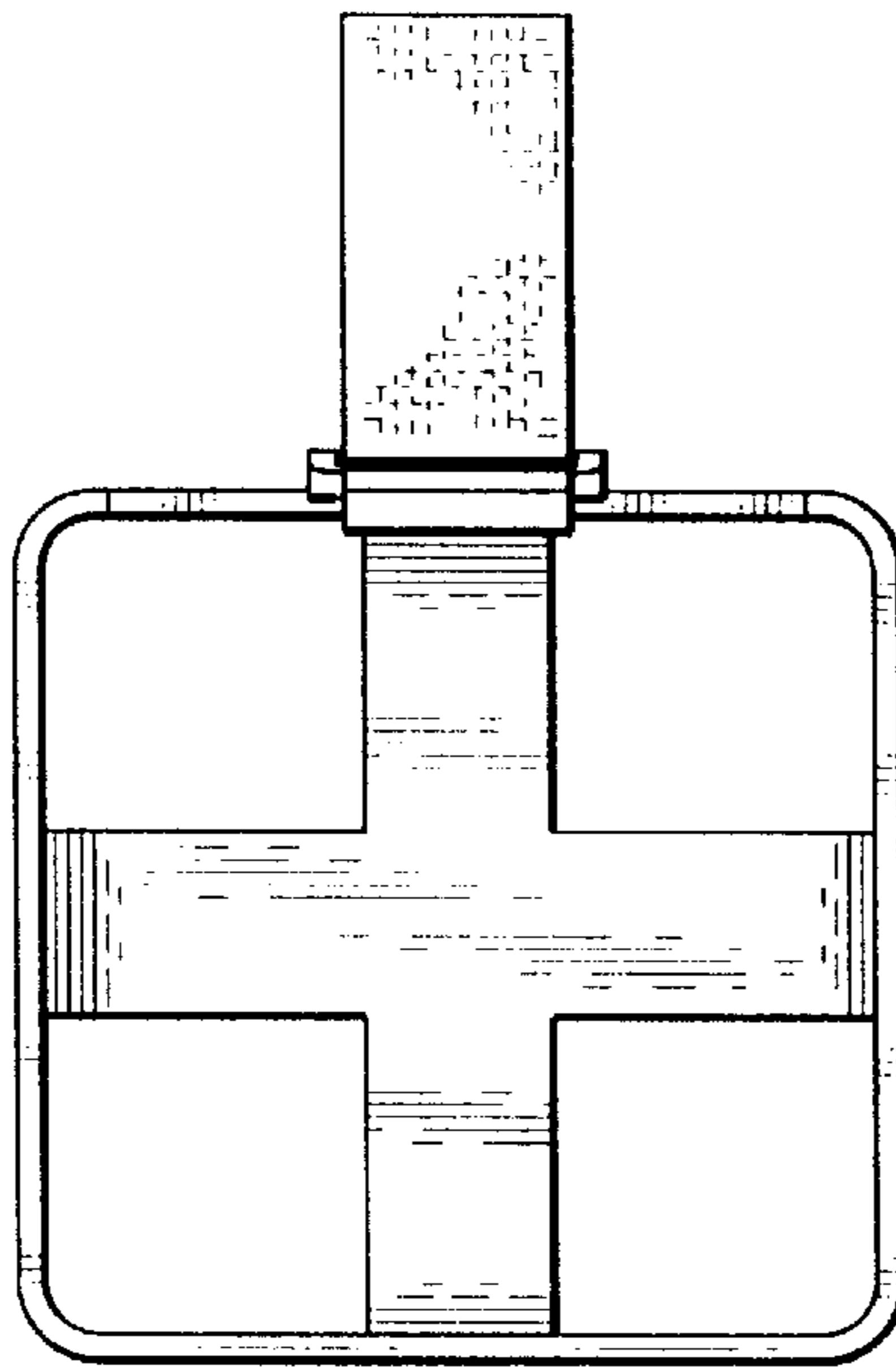


Fig. 3

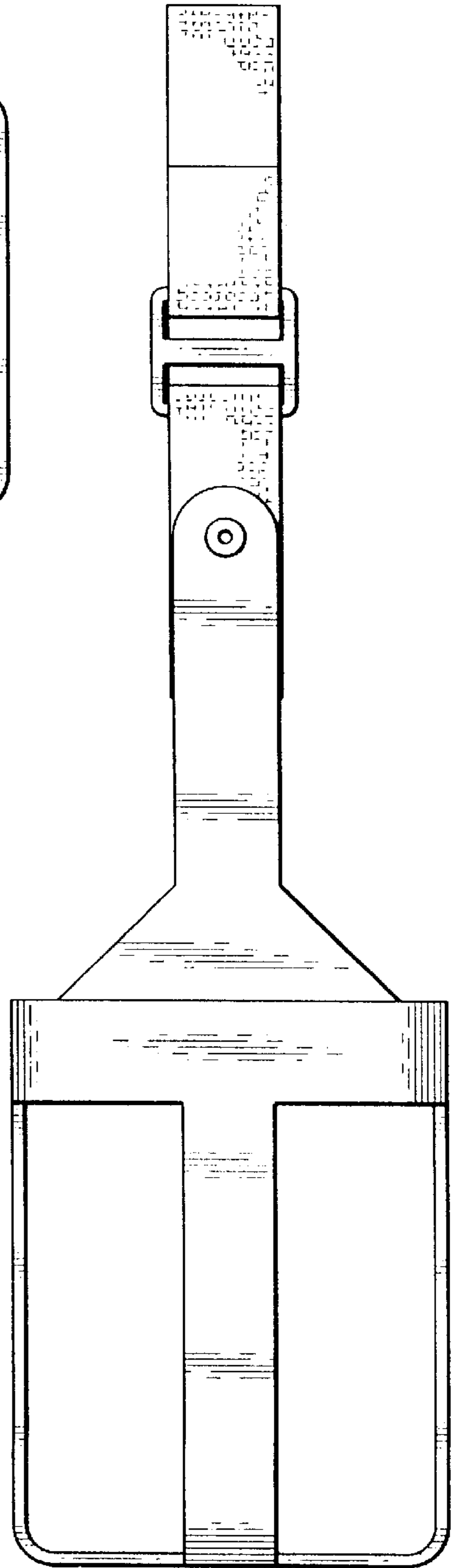


Fig. 2

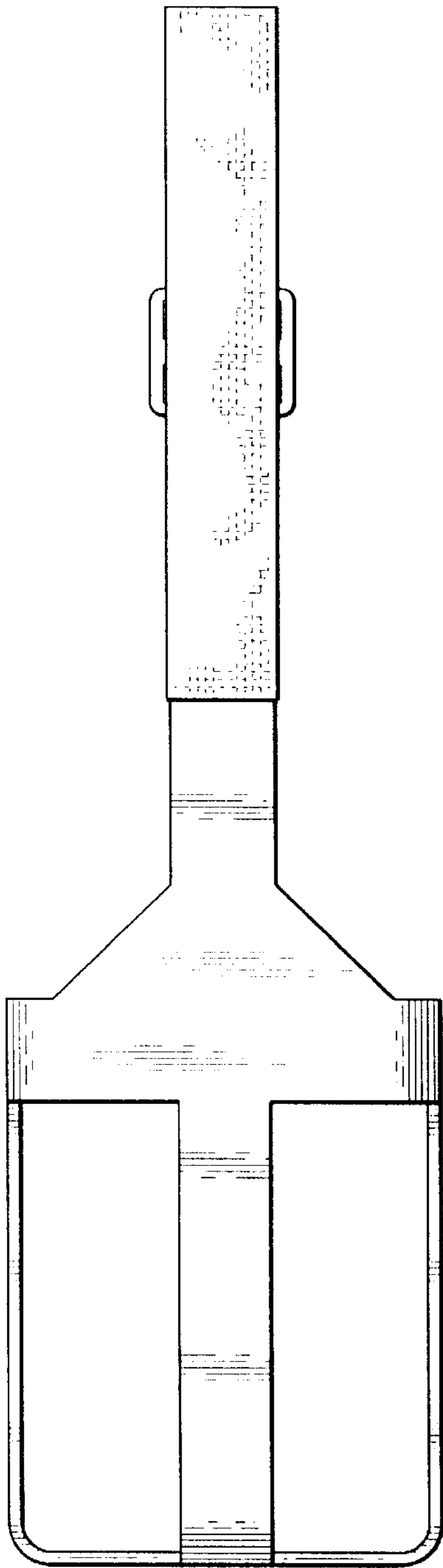


Fig. 5

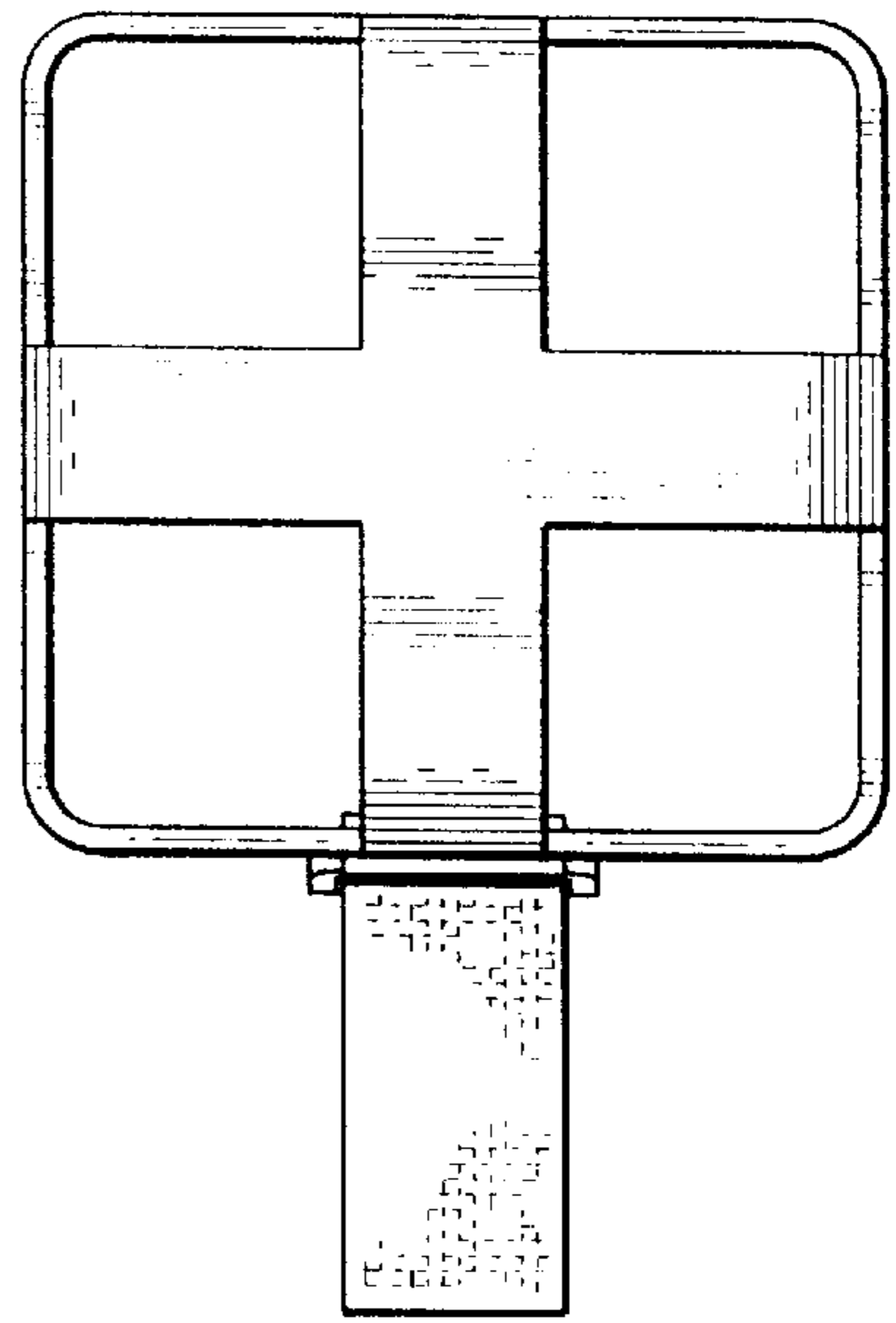
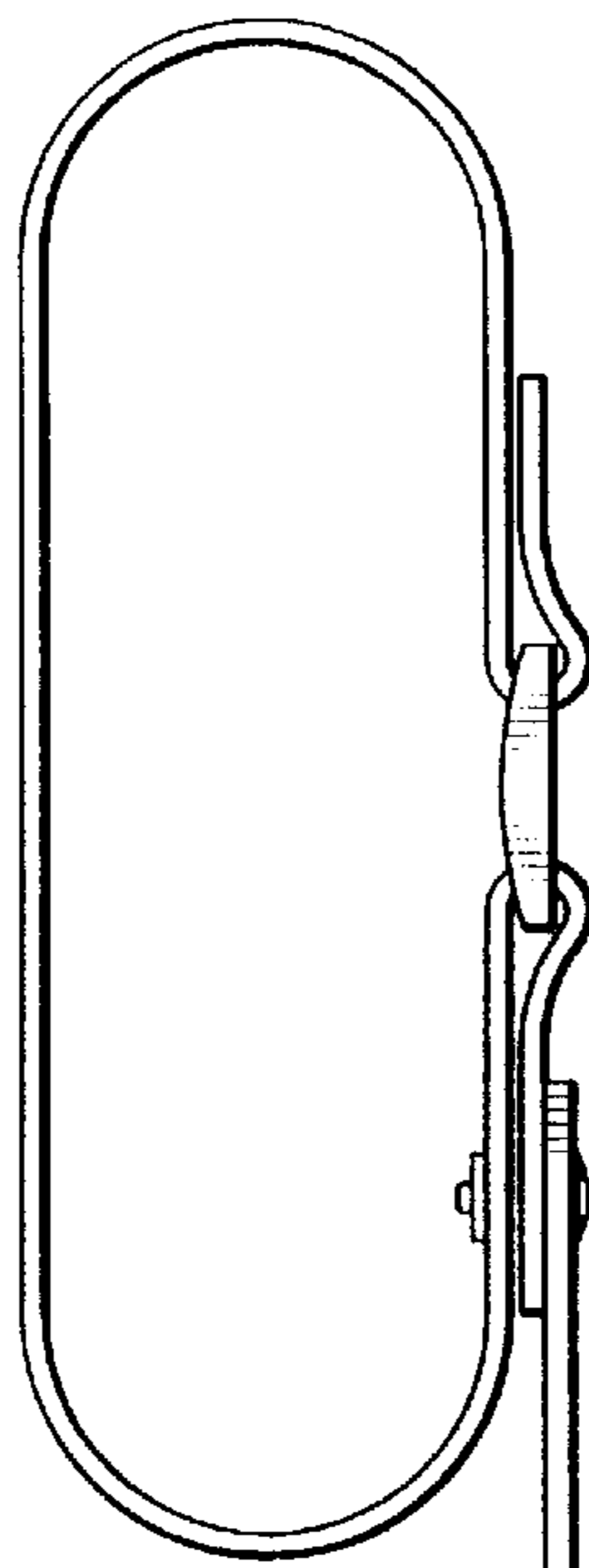


Fig. 4

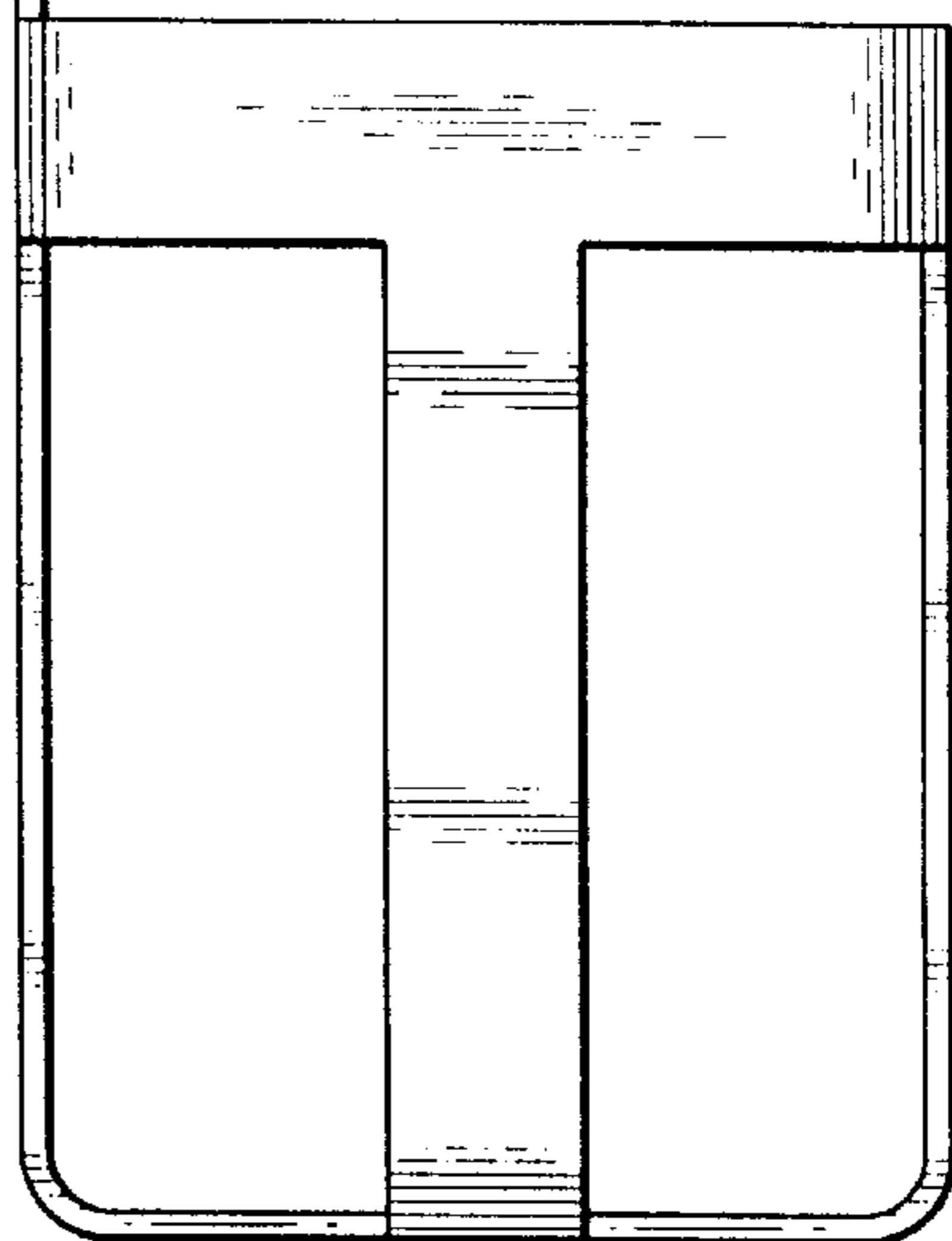


Fig. 6

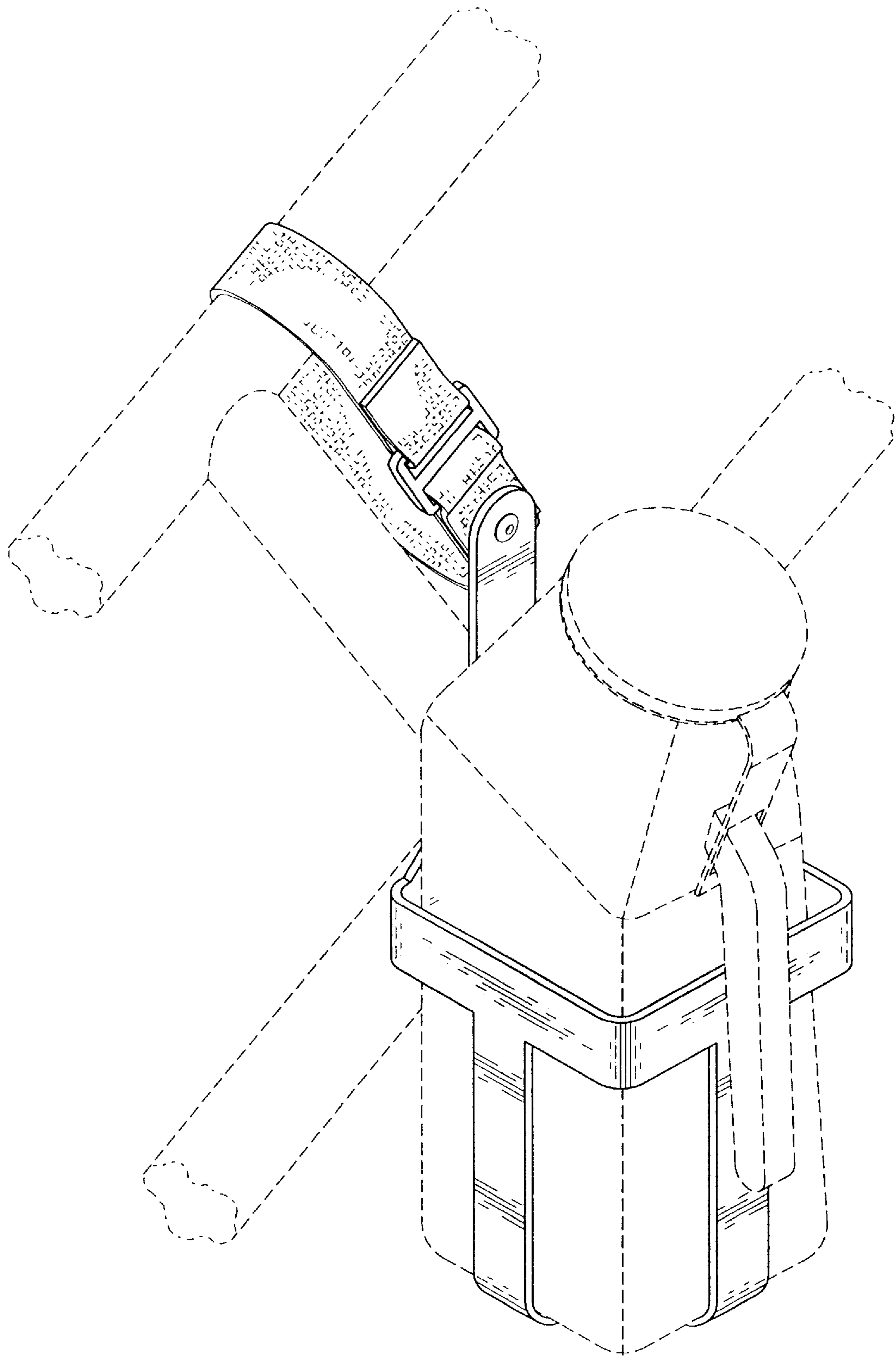


Fig. 7