



US00D432648S

# United States Patent [19] Stromblad

[11] Patent Number: Des. 432,648

[45] Date of Patent: \*\* \*Oct. 24, 2000

[54] TOPICAL APPLICATOR WITH CAP

[75] Inventor: Lena Stromblad, Svalov, Sweden

[73] Assignee: Pharmacia & Upjohn AB, Stockholm, Sweden

[\*] Notice: This patent is subject to a terminal disclaimer.

[\*\*] Term: 14 Years

[21] Appl. No.: 29/093,861

[22] Filed: Sep. 18, 1998

[30] Foreign Application Priority Data

Mar. 20, 1998 [SE] Sweden ..... 980656

[51] LOC (7) Cl. .... 24-02

[52] U.S. Cl. .... D24/119

[58] Field of Search ..... D24/119, 108, D24/107, 211; 604/310, 518; 401/261, 262, 263, 264, 265, 266; 206/210; 601/134, 135, 136, 139

[56] References Cited

### U.S. PATENT DOCUMENTS

D. 243,122 1/1977 Dash ..... D24/115

D. 351,229 10/1994 Wirt ..... D24/119  
D. 377,978 2/1997 Haber et al. .... D24/119  
1,595,324 8/1926 Van Sant ..... D24/211 X  
1,595,327 8/1926 Van Sant ..... D24/211 X  
5,006,004 4/1991 Dirksing et al. .... 401/261  
5,019,033 5/1991 Geria ..... 604/2

Primary Examiner—Stella Reid  
Attorney, Agent, or Firm—Birch, Stewart, Kolasch & Birch, LLP

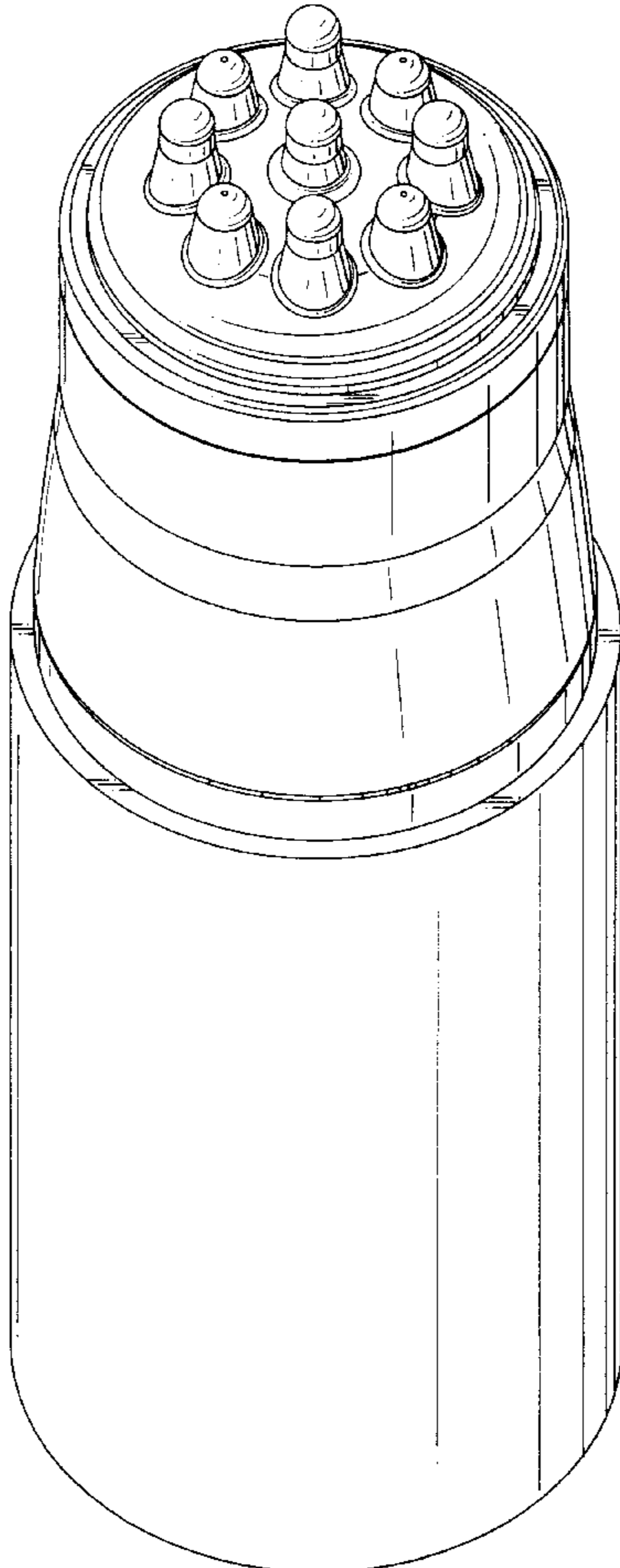
### [57] CLAIM

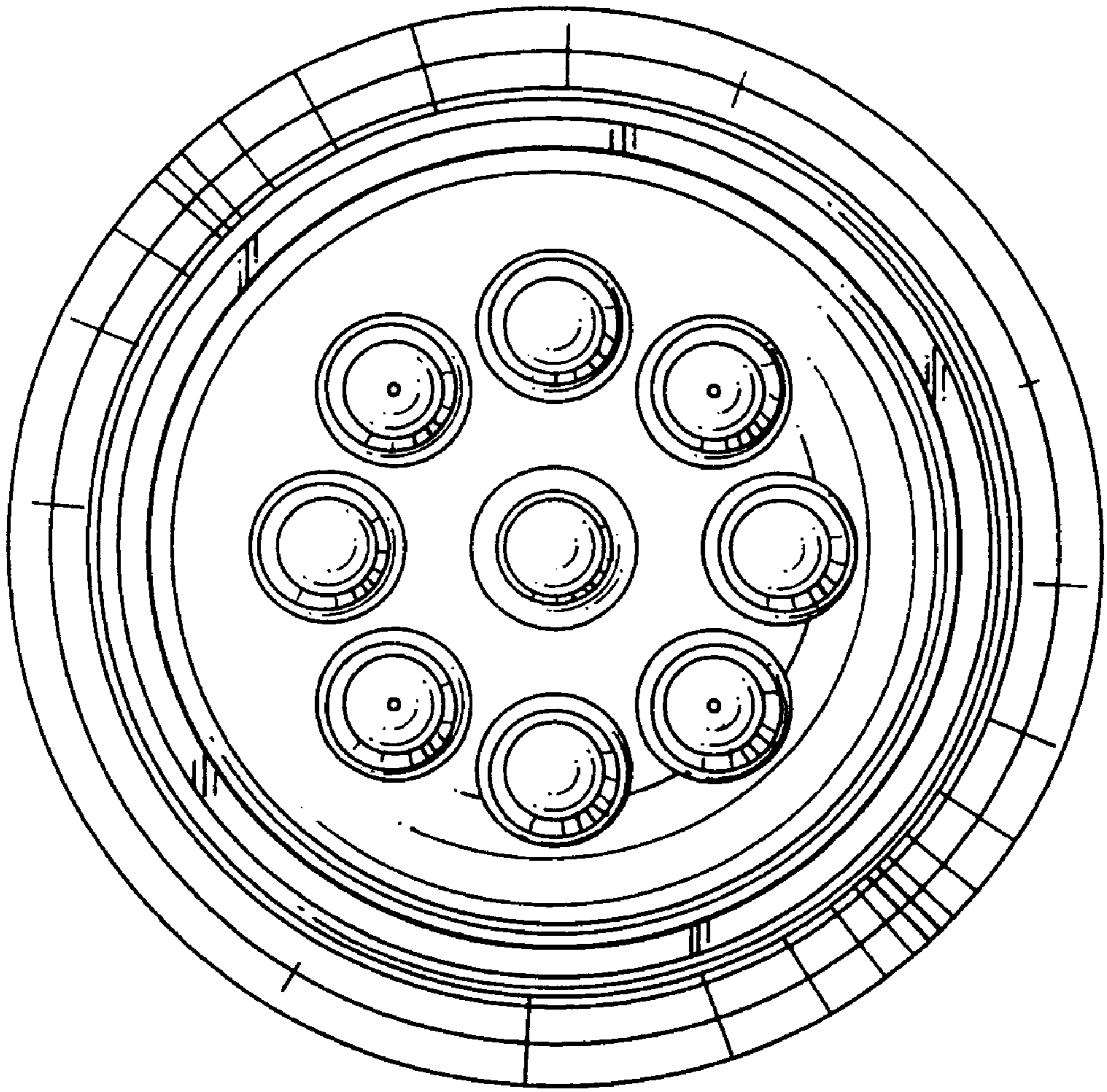
The ornamental design for a topical applicator with cap, as shown and described.

### DESCRIPTION

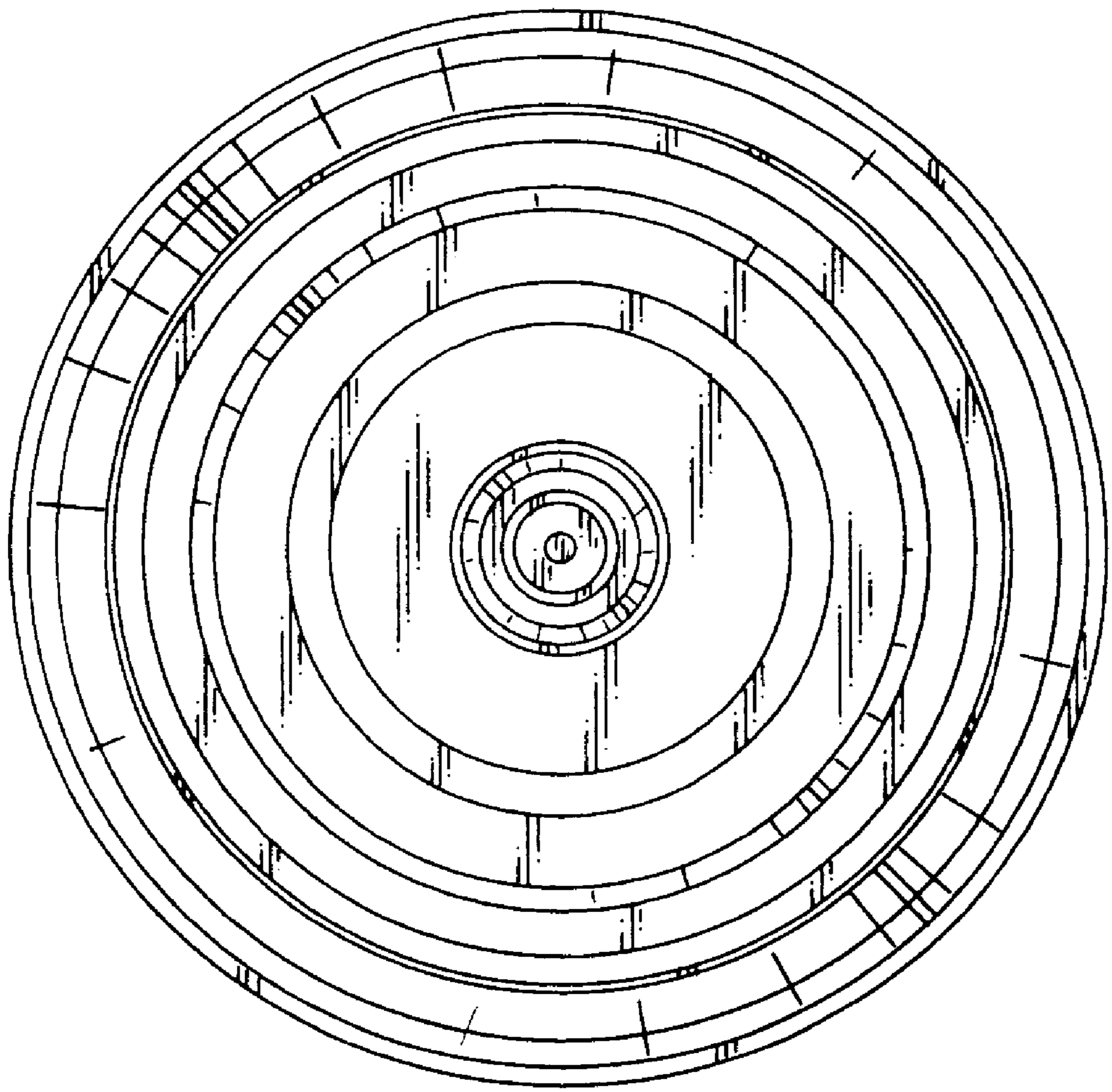
FIG. 1 is a top view of the topical applicator with cap, showing my new design;  
FIG. 2 is a bottom view of the cap portion of the topical applicator;  
FIG. 3 is a side view thereof;  
FIG. 4 is a top perspective view thereof;  
FIG. 5 is a bottom perspective view thereof;  
FIG. 6 is a side view of the topical applicator with cap attached;  
FIG. 7 is a top perspective view thereof; and,  
FIG. 8 is a bottom perspective view thereof.

1 Claim, 8 Drawing Sheets

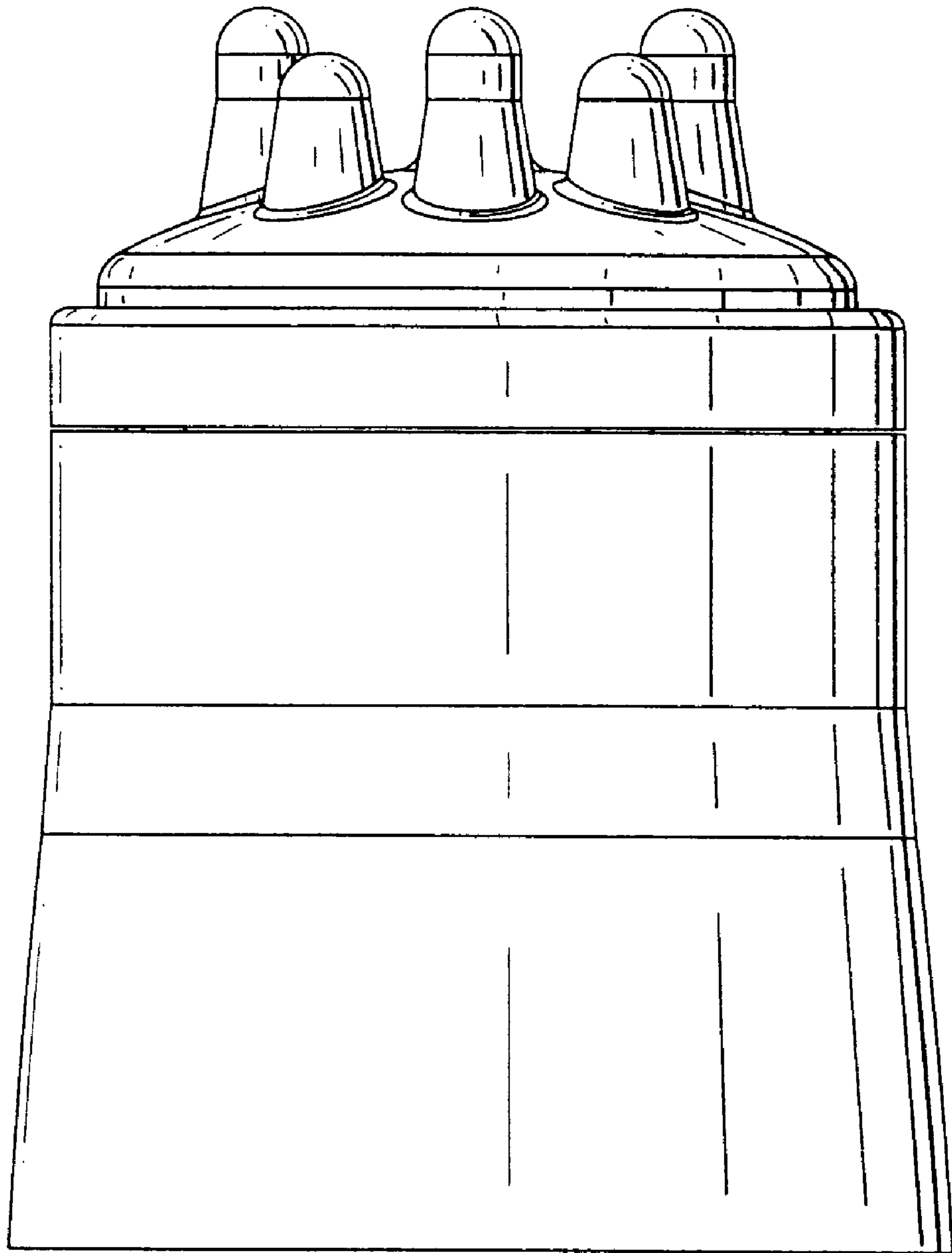




**Fig. 1**

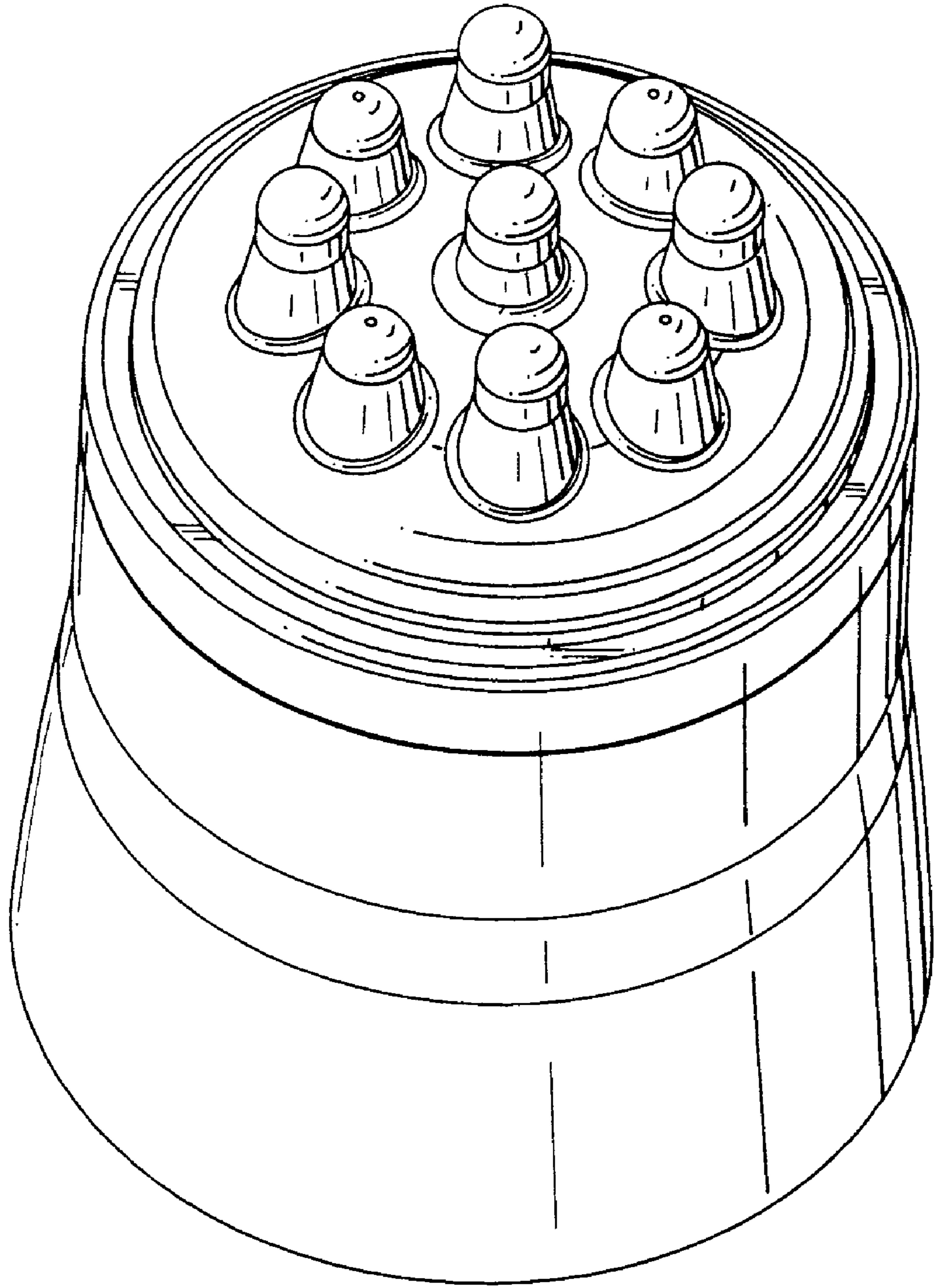


**Fig. 2**

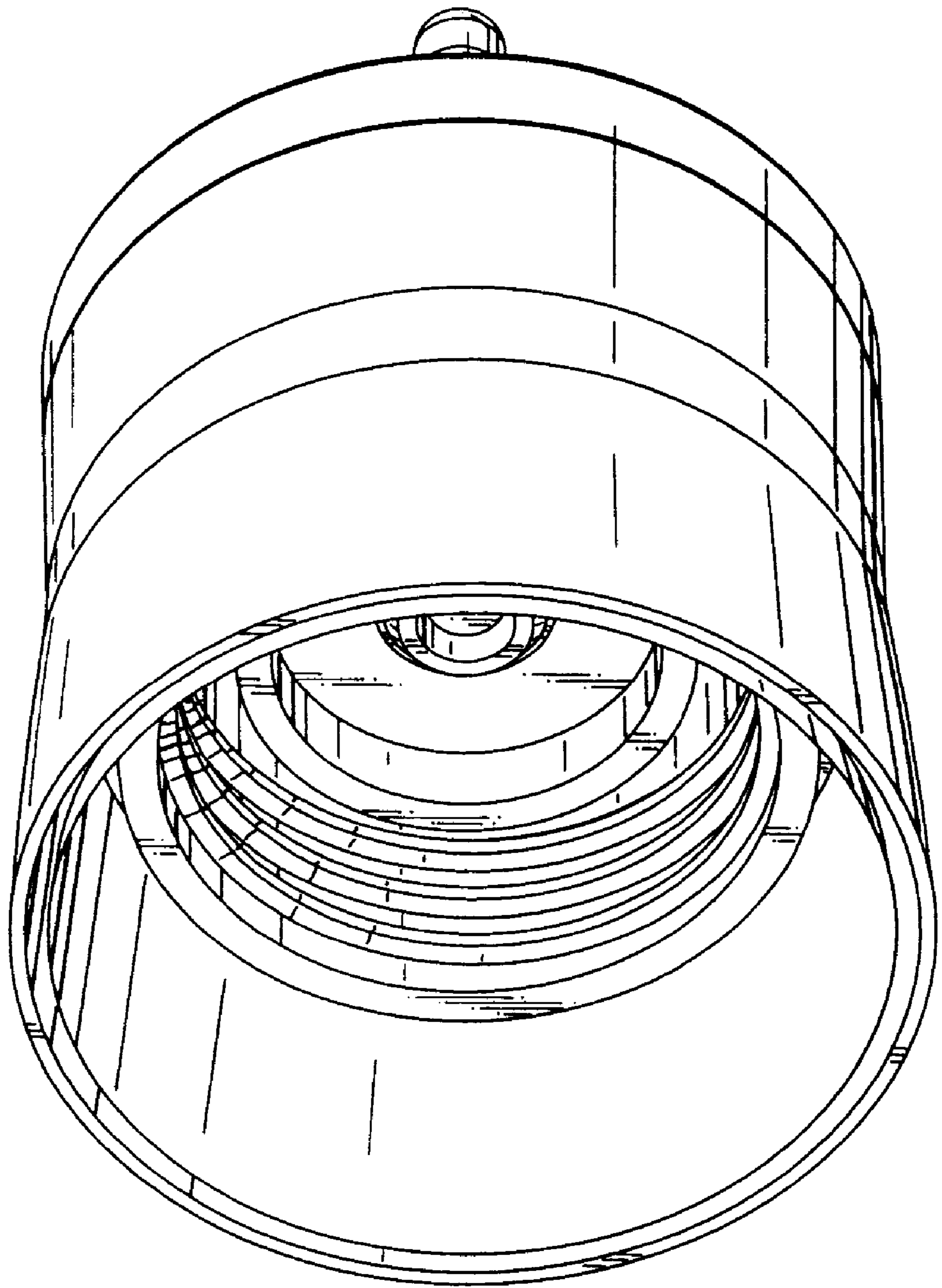


**Fig. 3**





**Fig. 4**



**Fig. 5**

Fig. 6

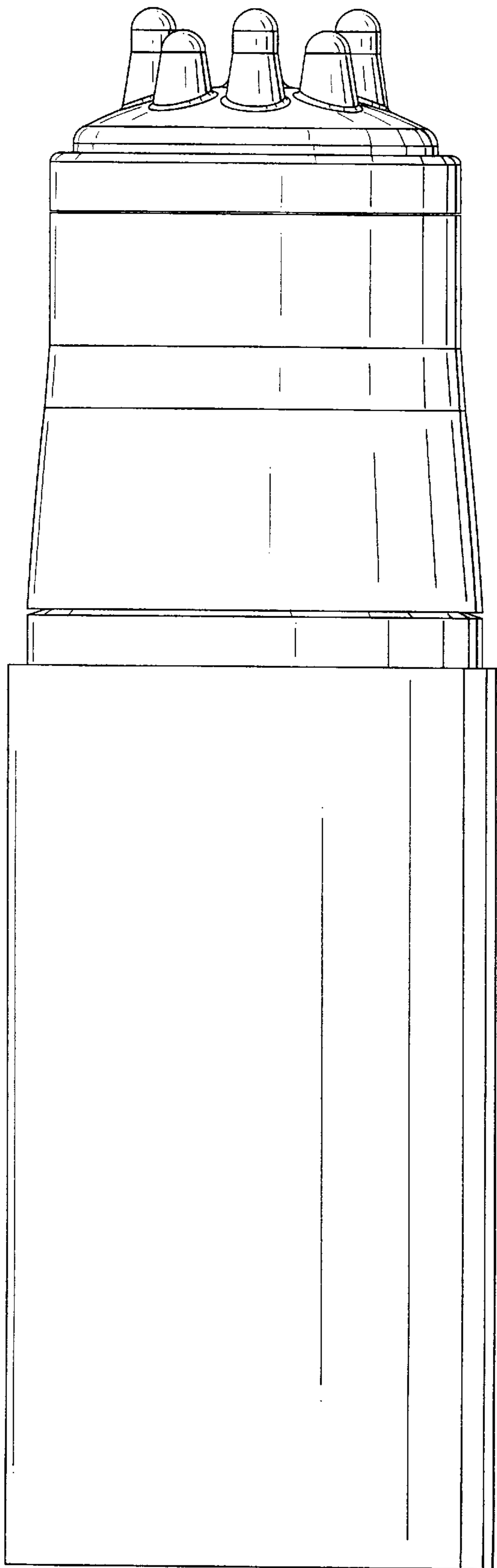


Fig. 7

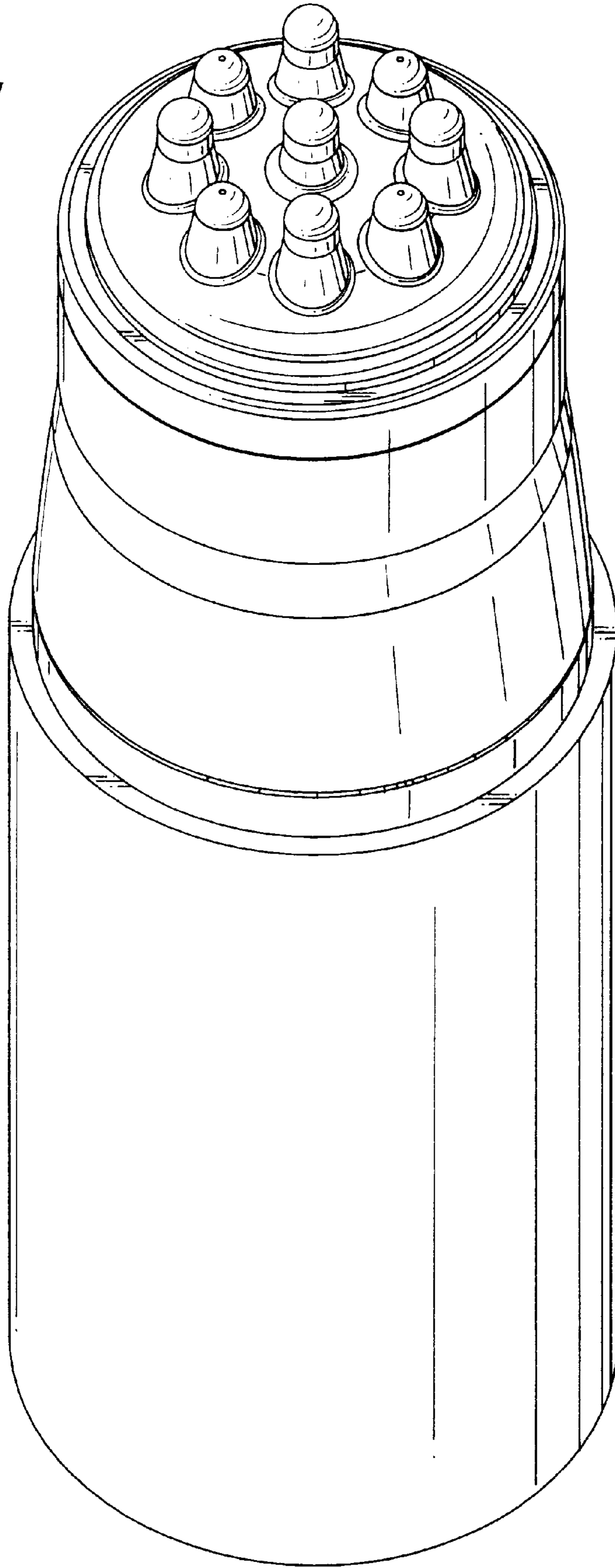




Fig. 8

