



US00D432637S

United States Patent [19]
Mertens

[11] **Patent Number: Des. 432,637**

[45] **Date of Patent: ** Oct. 24, 2000**

[54] **AIR FRESHENER**

[76] Inventor: **Rafael Julien Mertens**, Schoener 228,
1186 VP Amstelveen, Netherlands

[**] Term: **14 Years**

[21] Appl. No.: **29/114,590**

[22] Filed: **Nov. 30, 1999**

[51] **LOC (7) Cl.** **23-04**

[52] **U.S. Cl.** **D23/366**

[58] **Field of Search** D23/366-369;
422/123, 305; 261/DIG. 65; 239/57, 58,
59, 60, 54, 53, 55

[56] **References Cited**

U.S. PATENT DOCUMENTS

D. 242,145 11/1976 Schlmanski D23/369

Primary Examiner—Lisa Lichtenstein
Attorney, Agent, or Firm—Browdy and Neimark

[57] **CLAIM**

The ornamental design for an air freshener, as shown and described.

DESCRIPTION

FIG. 1 is a perspective view of an air freshener in accordance with the present design;
FIG. 2 is a left side view thereof;
FIG. 3 is a right side view thereof;
FIG. 4 is a top plan view thereof;
FIG. 5 is a bottom plan view thereof;
FIG. 6 is a front end view thereof; and,
FIG. 7 is a rear end view thereof.

1 Claim, 3 Drawing Sheets

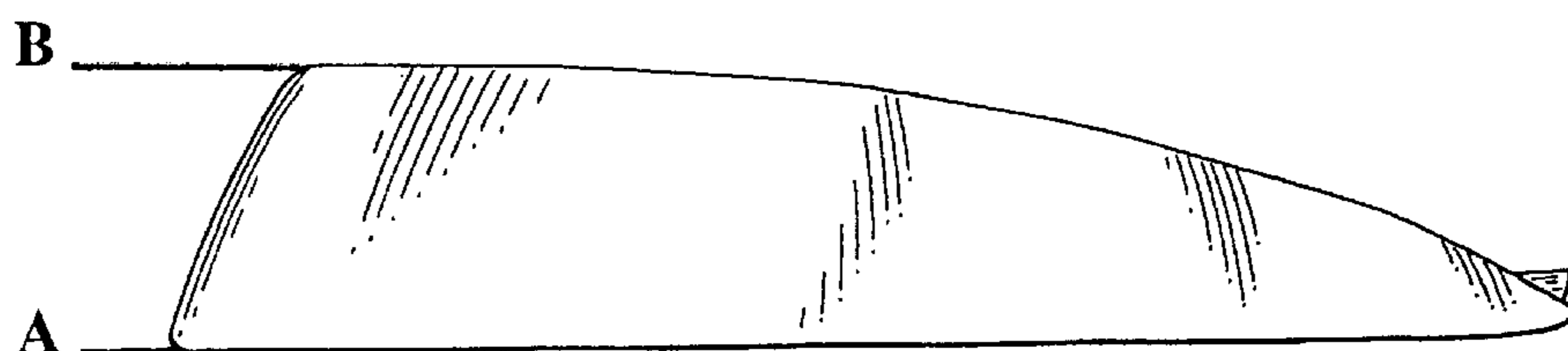
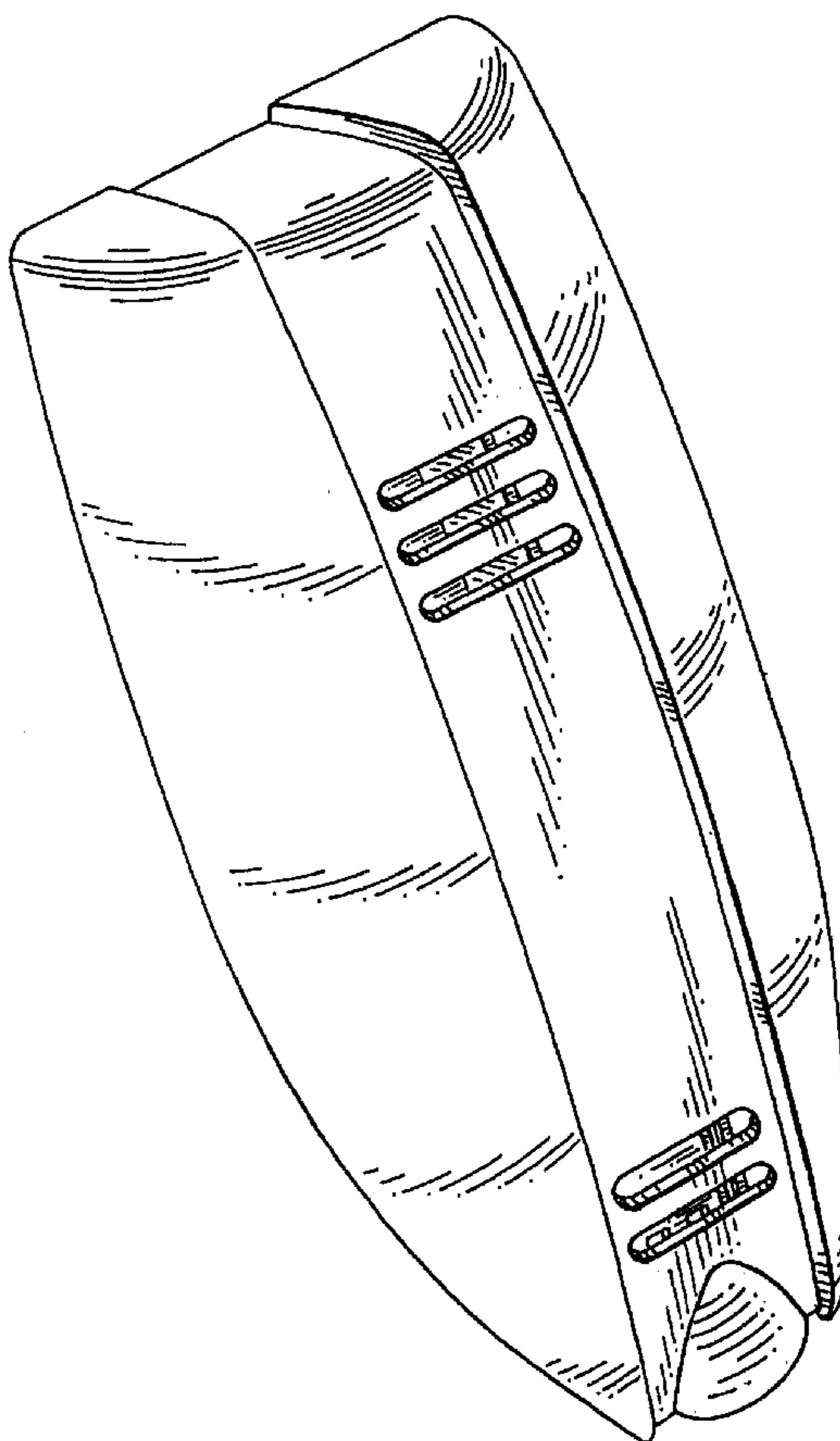


FIG. 1

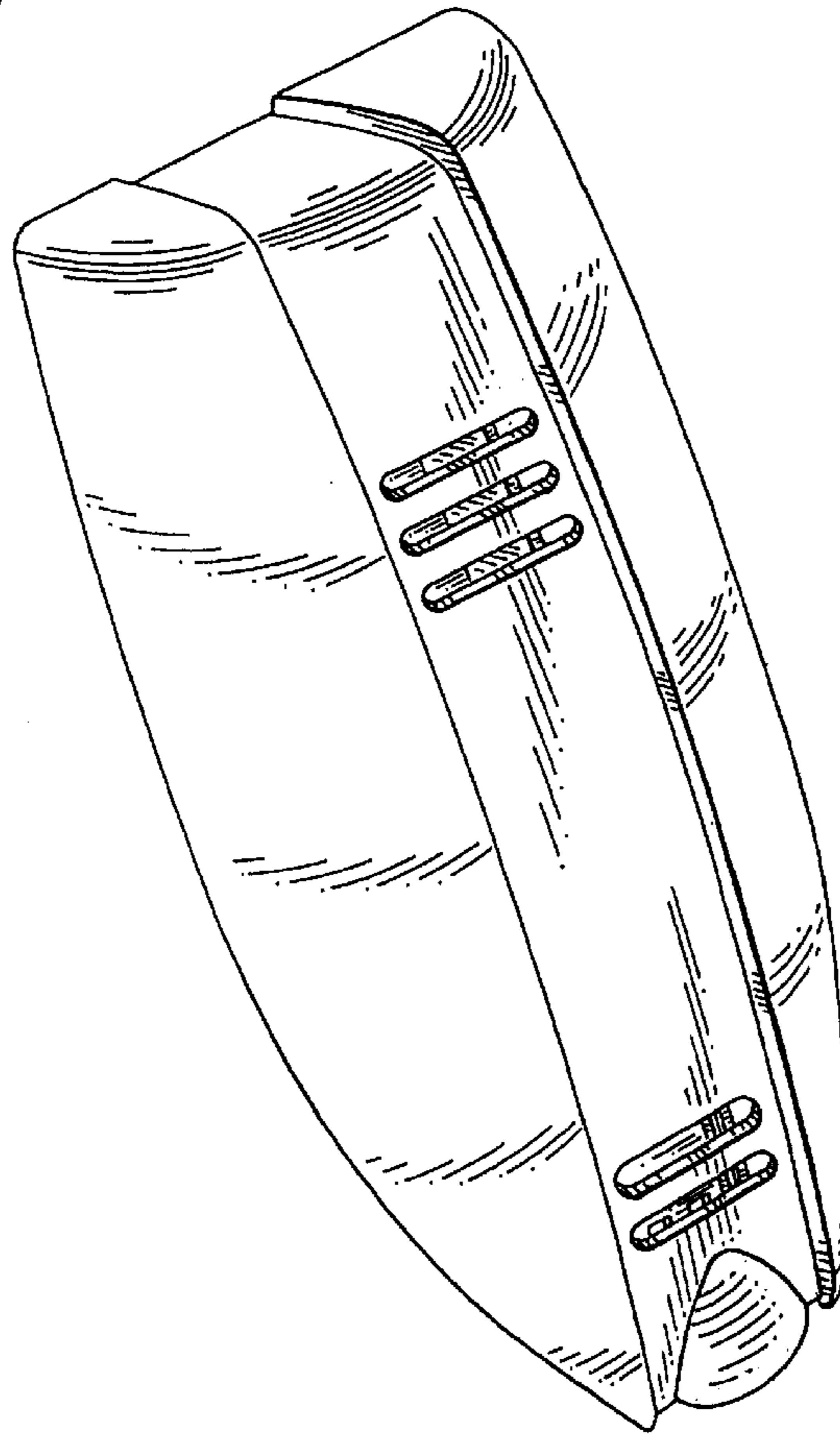


FIG. 2

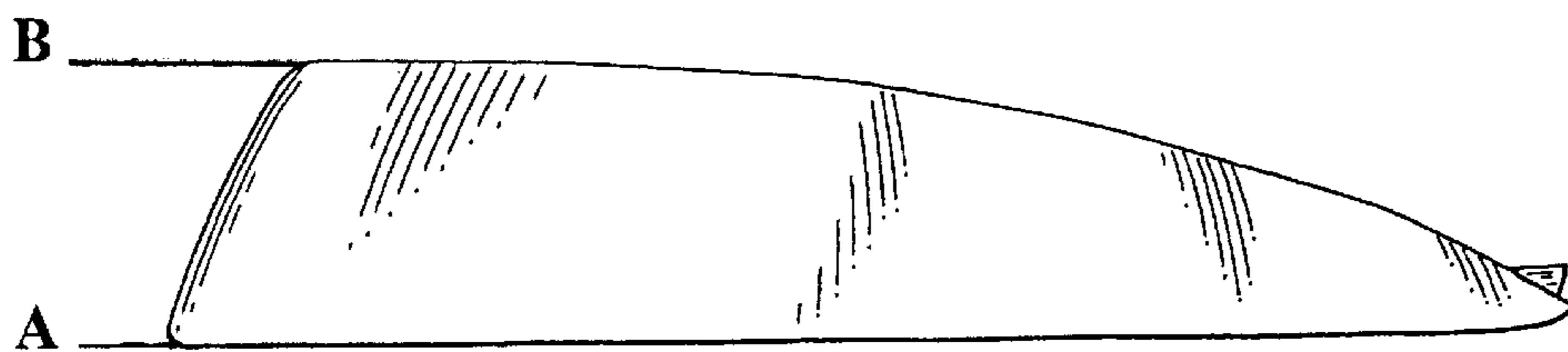


FIG. 3

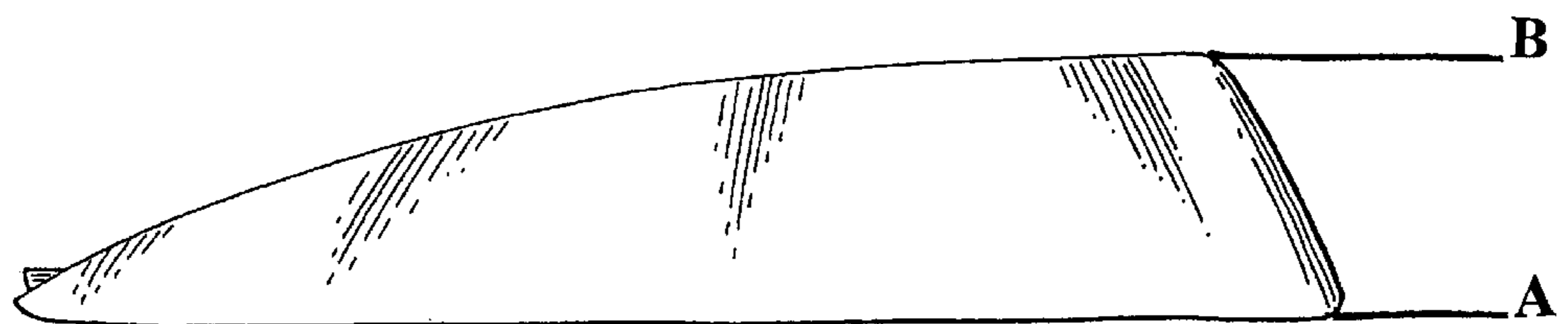


FIG. 5

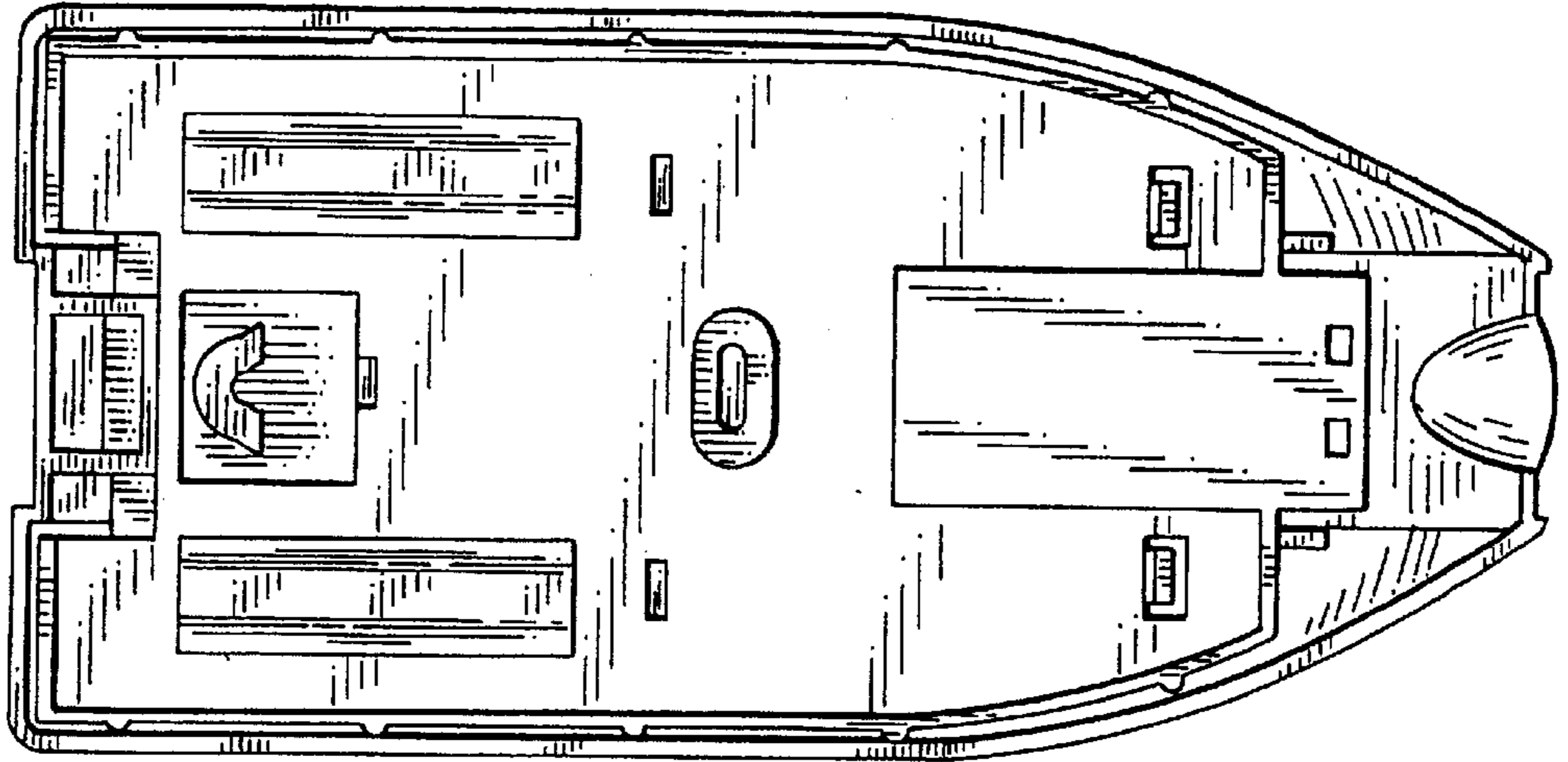


FIG. 4

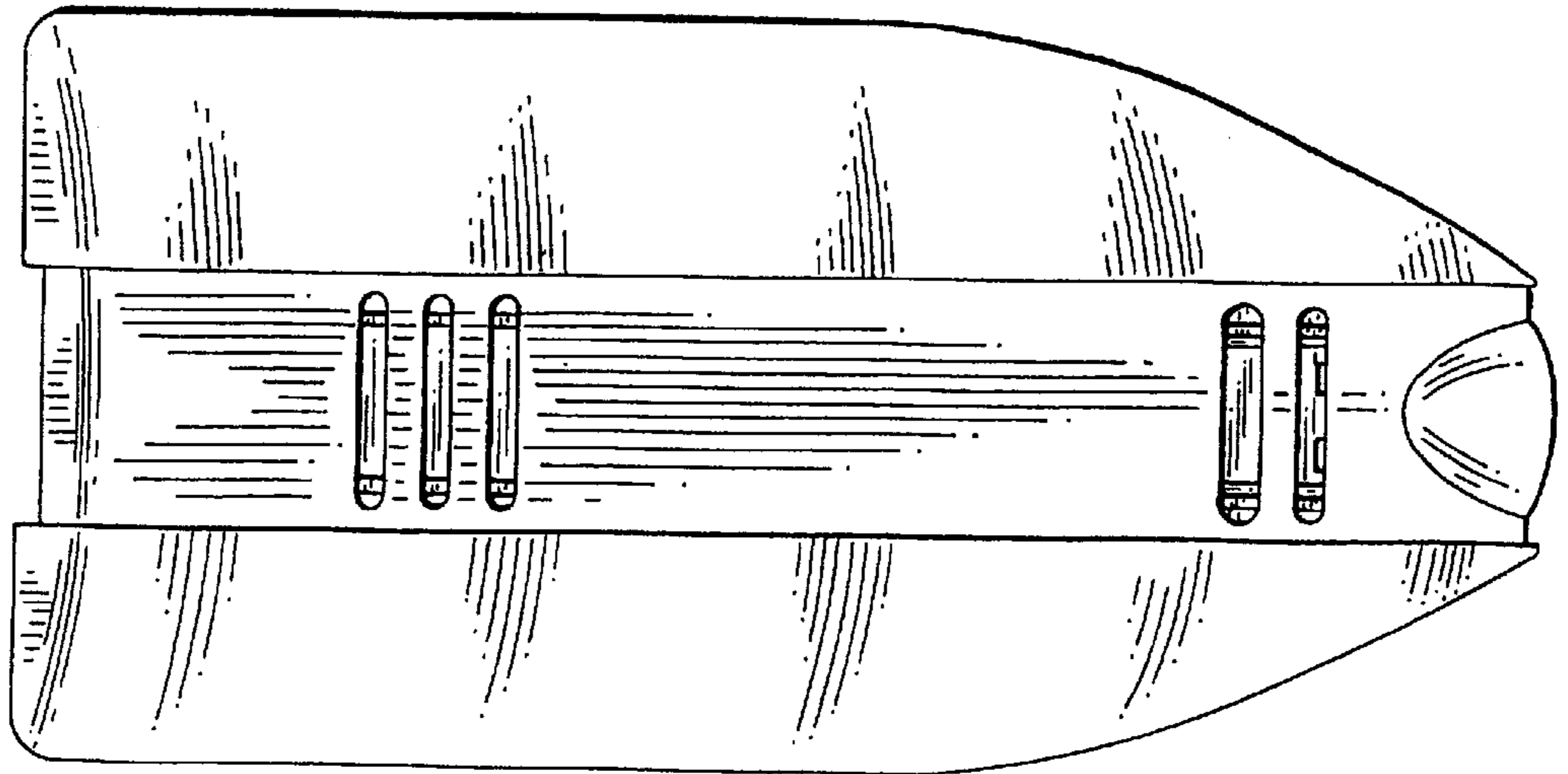


FIG. 6

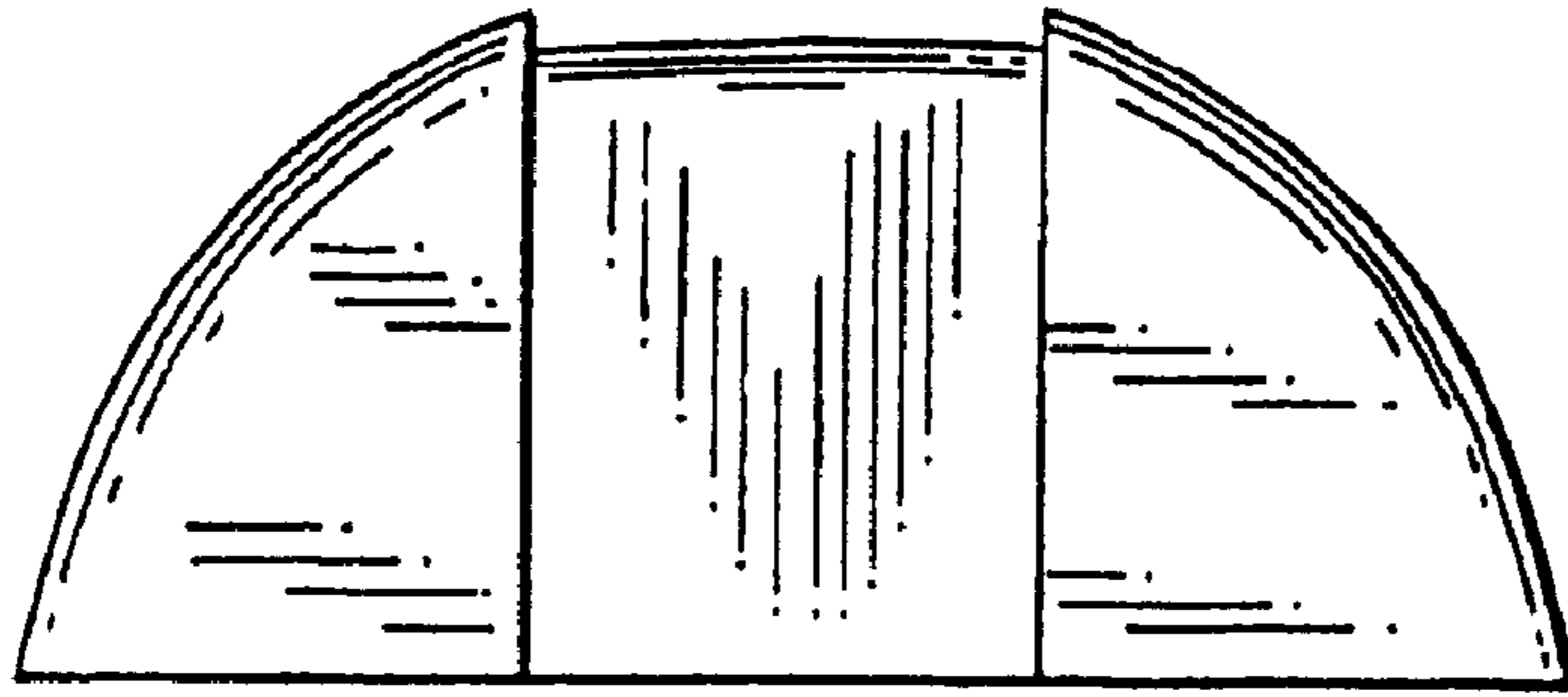


FIG. 7

