

US00D432632S

# United States Patent [19] Spangler

[11] Patent Number: Des. 432,632

[45] Date of Patent: \*\* Oct. 24, 2000

[54] TUB AND SHOWER FAUCET BODY

[75] Inventor: Anthony G. Spangler, Greensburg, Ind.

[73] Assignee: Masco Corporation of Indiana,  
Indianapolis, Ind.

[\*\*] Term: 14 Years

[21] Appl. No.: 29/116,041

[22] Filed: Dec. 23, 1999

[51] LOC (7) Cl. .... 23-01

[52] U.S. Cl. .... D23/249

[58] Field of Search ..... D23/238-257;  
4/675-678; 137/801

D. 421,093	2/2000	Fleischmann	.....	D23/238
D. 421,487	3/2000	Lord	.....	D23/255
D. 422,341	4/2000	Slothoewr et al.	.....	D23/238
D. 422,342	4/2000	Mark et al.	.....	D23/238
D. 422,344	4/2000	Lord	.....	D23/255
5,813,436	9/1998	Chen	.....	137/801
5,884,662	3/1999	Ko	.....	137/801

Primary Examiner—Louis S. Zarfes  
Assistant Examiner—Greg Andoll  
Attorney, Agent, or Firm—Myron B. Kapustij; Lloyd D. Doigan

### [57] CLAIM

The ornamental design for a tub and shower faucet body, as shown and described.

### DESCRIPTION

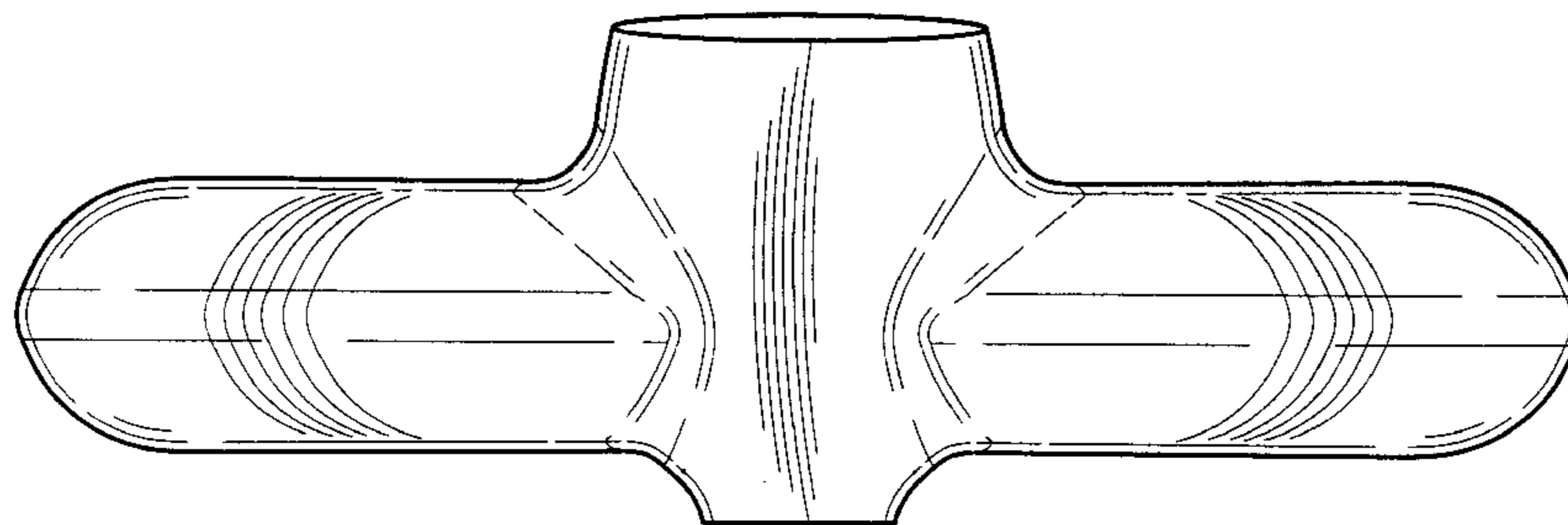
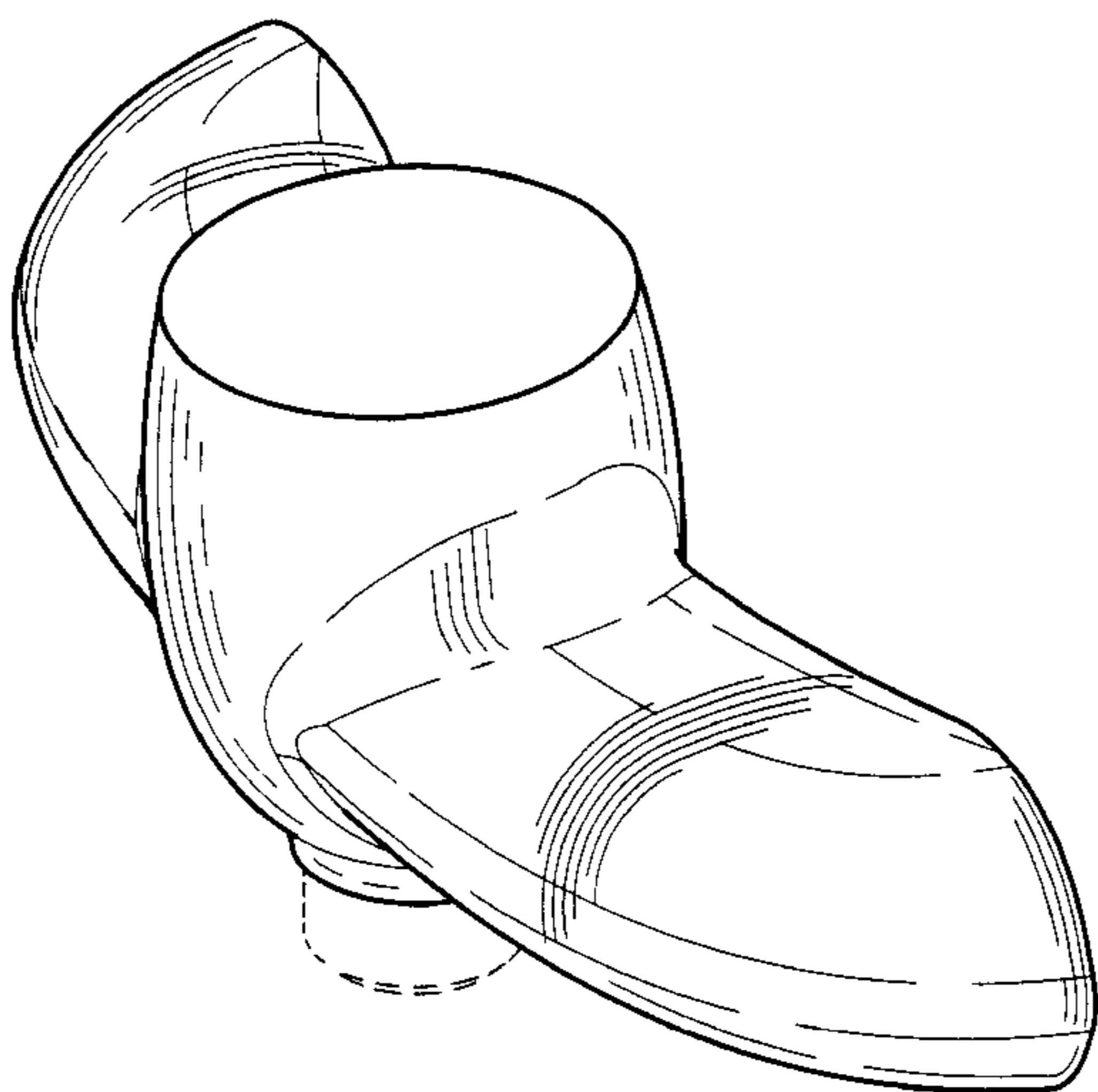
FIG. 1 is a front perspective view of the tub and shower faucet body showing my new design; FIG. 2 is a rear perspective view thereof; FIG. 3 is a top plan view thereof; FIG. 4 is a front elevational view thereof; FIG. 5 is a bottom plan view thereof; FIG. 6 is a rear elevational view thereof; and, FIG. 7 is a left side elevational view thereof, the right side being a mirror image of the left side. The broken line showing of the handle and hose in FIG. 2 are for purposes of illustration only and from no part of the claimed design.

1 Claim, 4 Drawing Sheets

### [56] References Cited

#### U.S. PATENT DOCUMENTS

D. 25,458	5/1896	Mackin	.....	D23/241
D. 267,109	11/1982	Fabian	.....	D23/241
D. 315,194	3/1991	Haug et al.	.....	D23/238
D. 379,648	6/1997	Fleischmann	.....	D23/238
D. 387,417	12/1997	Doughty et al.	.....	D23/243
D. 388,156	12/1997	Hill et al.	.....	D23/238
D. 388,862	1/1998	Hill et al.	.....	D23/238
D. 394,698	5/1998	Krause	.....	D23/238
D. 406,880	3/1999	Doughty et al.	.....	D23/255
D. 408,505	4/1999	Garcia	.....	D23/255
D. 413,160	8/1999	Lord	.....	D23/238
D. 413,376	8/1999	Meda	.....	D23/238



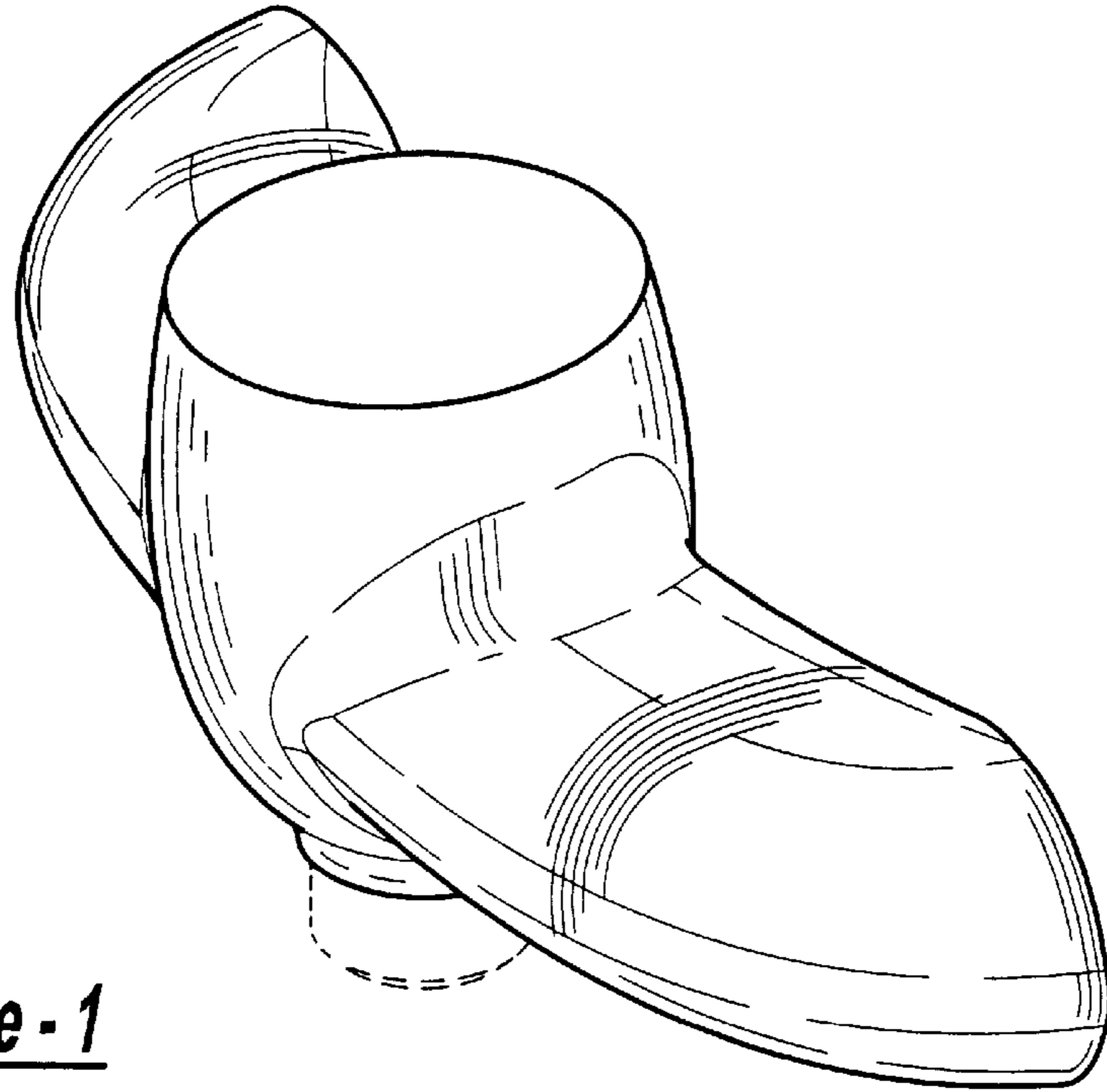


Figure - 1

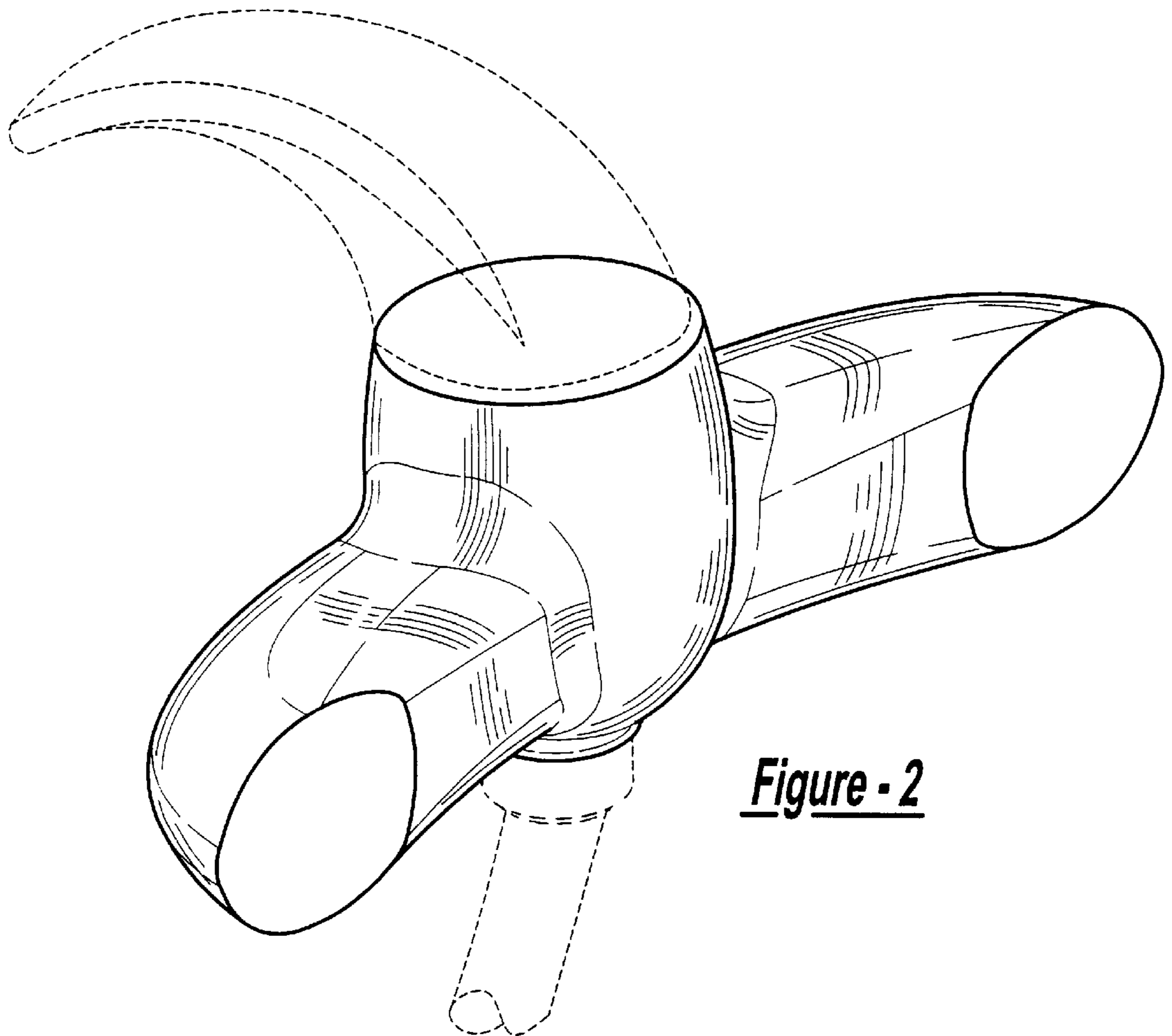


Figure - 2

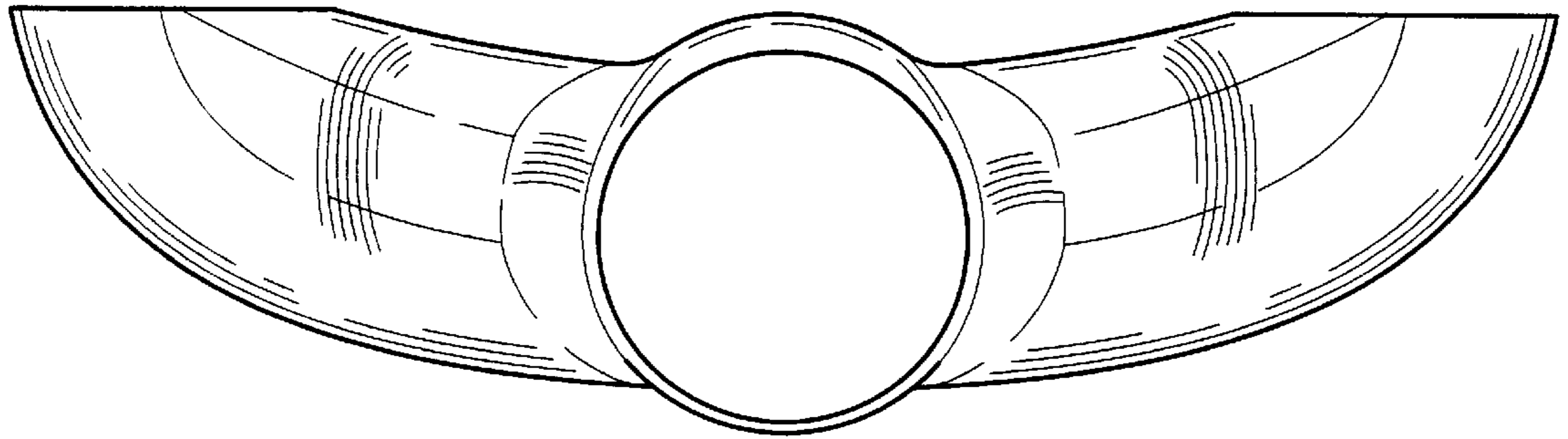


Figure - 3

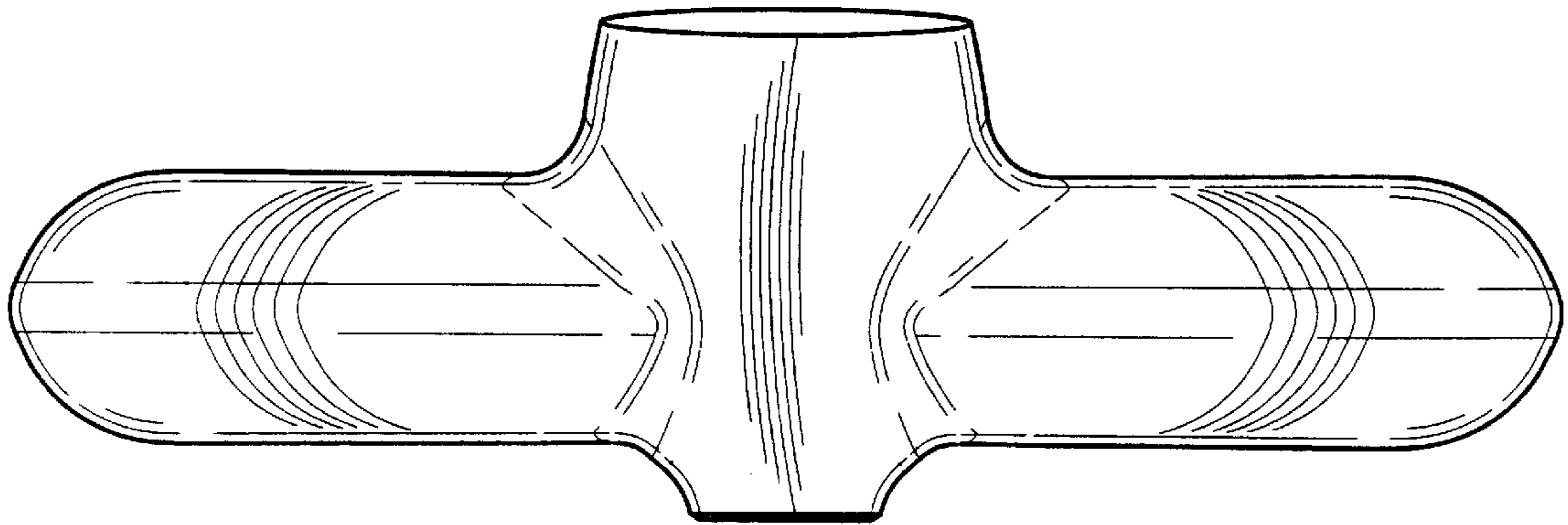


Figure - 4

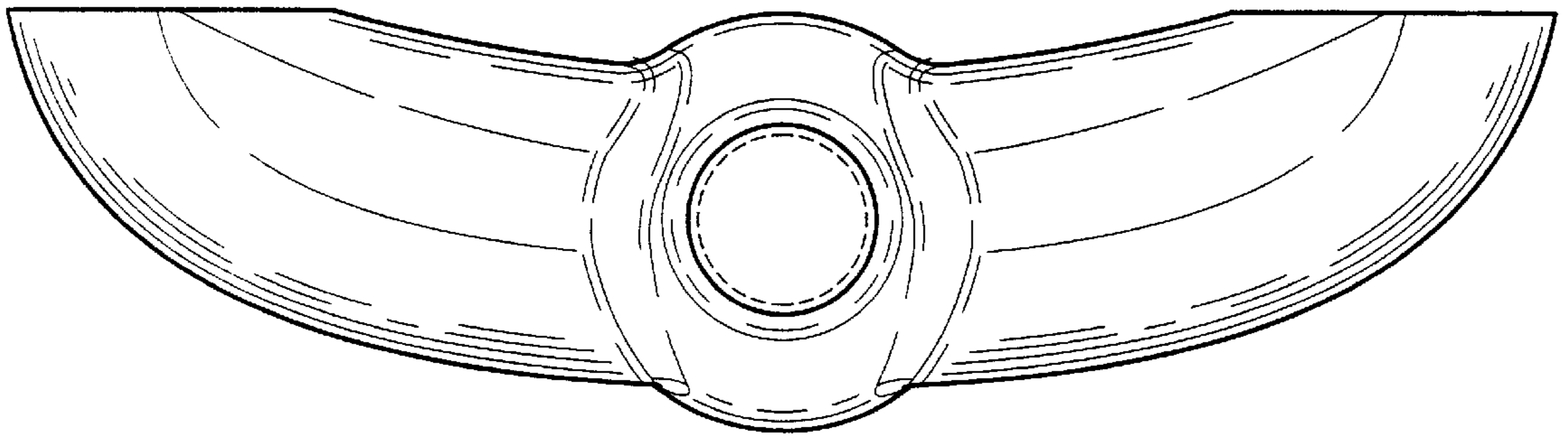


Figure - 5

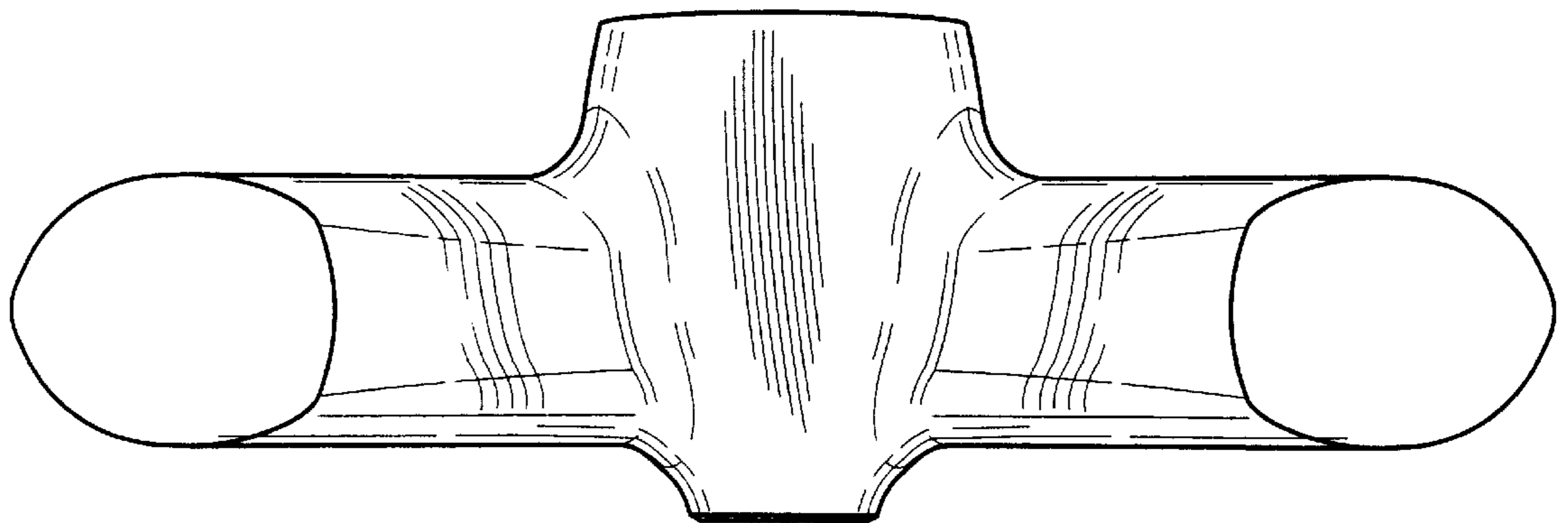


Figure - 6

*Figure - 7*

