



US00D432631S

# United States Patent [19] Lord

[11] **Patent Number: Des. 432,631**  
[45] **Date of Patent: \*\* \*Oct. 24, 2000**

[54] **FAUCET**

[75] **Inventor: Judd A. Lord, Carmel, Ind.**

[73] **Assignee: Masco Corporation of Indiana, Indianapolis, Ind.**

[\*] **Notice:** This patent is subject to a terminal disclaimer.

[\*\*] **Term: 14 Years**

[21] **Appl. No.: 29/117,570**

[22] **Filed: Jan. 27, 2000**

[51] **LOC (7) Cl. .... 23-01**

[52] **U.S. Cl. .... D23/238; D23/241**

[58] **Field of Search .... D23/238-243, D23/250-257; D8/300-310; 4/675-678; 137/801**

## [56] **References Cited**

### U.S. PATENT DOCUMENTS

- D. 207,044 2/1967 Hurwitz ..... D23/241
- D. 276,259 11/1984 Miller .
- D. 288,835 3/1987 Yost .
- D. 293,362 12/1987 Hill et al. .
- D. 295,551 5/1988 Yost .
- D. 318,906 8/1991 Spangler .
- D. 320,645 10/1991 Knapp et al. .
- D. 321,750 11/1991 Spangler .
- D. 346,013 4/1994 McKeone ..... D23/255
- D. 363,536 10/1995 Hill et al. .
- D. 363,766 10/1995 Hill et al. .
- D. 363,974 11/1995 Doughty et al. .... D23/241
- D. 364,218 11/1995 Hill et al. .
- D. 364,219 11/1995 Hill et al. .
- D. 364,220 11/1995 Hill et al. .

- D. 366,099 1/1996 Hill et al. .
- D. 367,701 3/1996 Hill et al. .
- D. 367,920 3/1996 Hill et al. .
- D. 374,709 10/1996 Doughty et al. .... D23/241
- D. 379,213 5/1997 Gottwald ..... D23/238
- D. 392,026 3/1998 Doughty et al. .... D23/241
- D. 393,692 4/1998 Ko ..... D23/238
- D. 416,982 11/1999 Warshawsky et al. .... D23/241
- D. 418,578 1/2000 Warshawsky et al. .... D23/241

### OTHER PUBLICATIONS

Delta 1994 Full-Line Price List, (C) 1994 Masco Corporation of Indiana, pp. 14, 21-22, 26-27, 44-45.  
Kohler K-500 Design Manual, p. 40 Taboret Faucet, Oct. 1990.

*Primary Examiner*—Louis S. Zarfaz  
*Assistant Examiner*—G Andoll  
*Attorney, Agent, or Firm*—Myron B. Kapustij; Lloyd D. Doigan

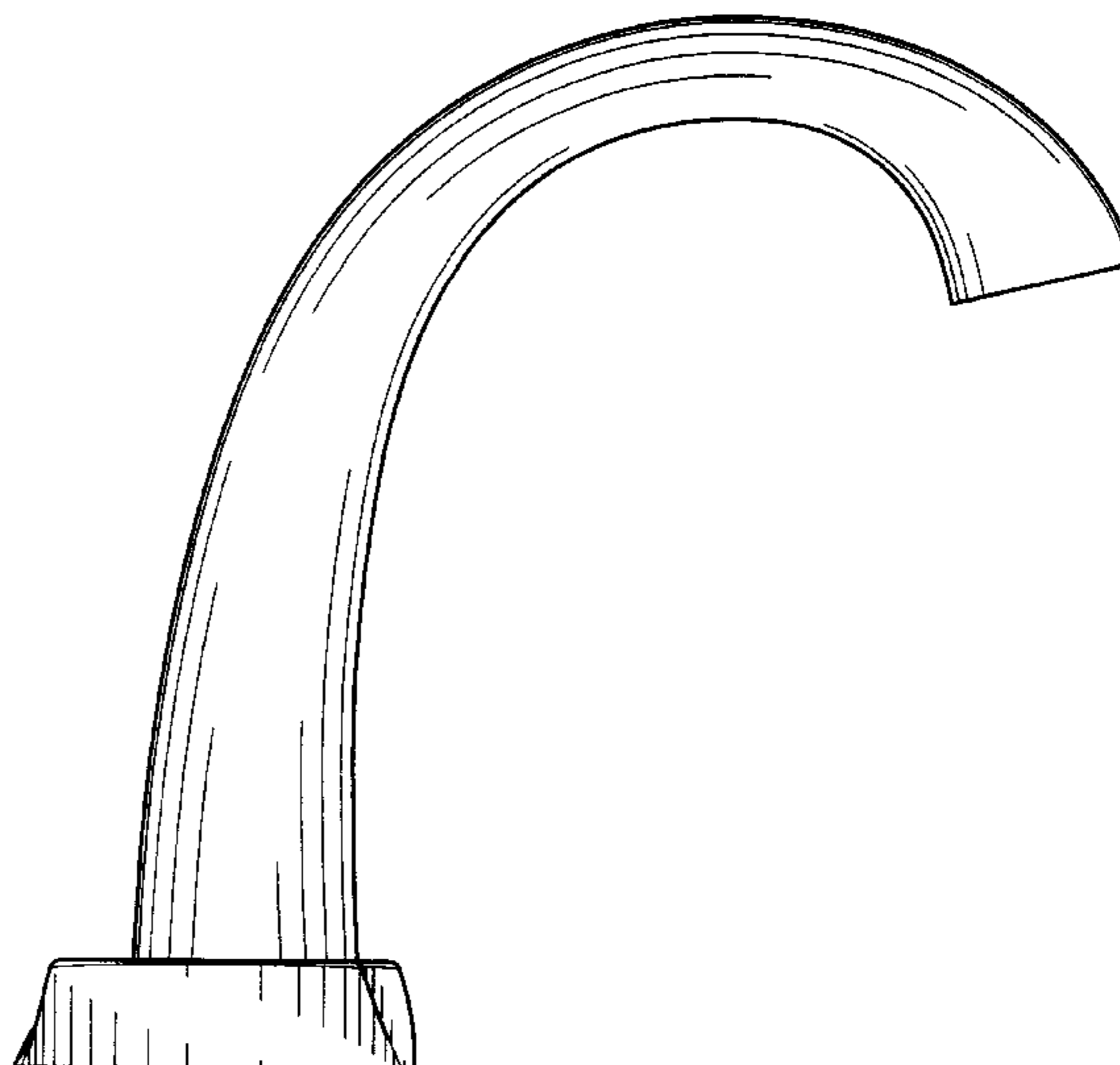
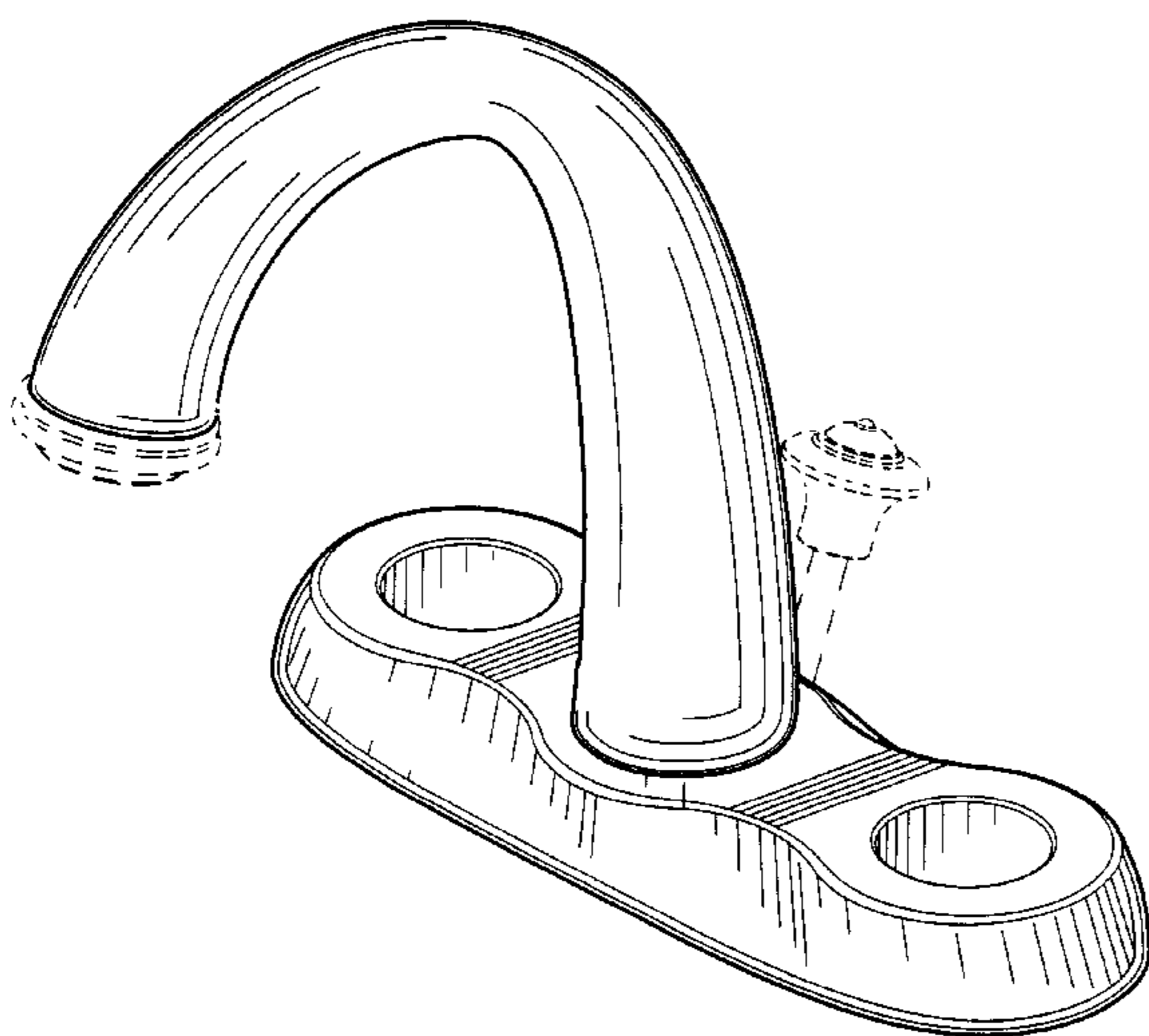
## [57] **CLAIM**

The ornamental design for a faucet, as shown and described.

### DESCRIPTION

FIG. 1 is a rear perspective view of the faucet showing my new design;  
FIG. 2 is a front perspective view thereof;  
FIG. 3 is a right side elevational view thereof, the left side being a mirror image;  
FIG. 4 is a front elevational view thereof;  
FIG. 5 is a top plan view thereof;  
FIG. 6 is a rear elevational view thereof; and,  
FIG. 7 is a bottom plan view thereof.  
The broken line showing of the lift rod and aerator in FIG. 2 and the apertures in FIG. 7 are for purposes of illustration only and form no part of the claimed design.

**1 Claim, 4 Drawing Sheets**



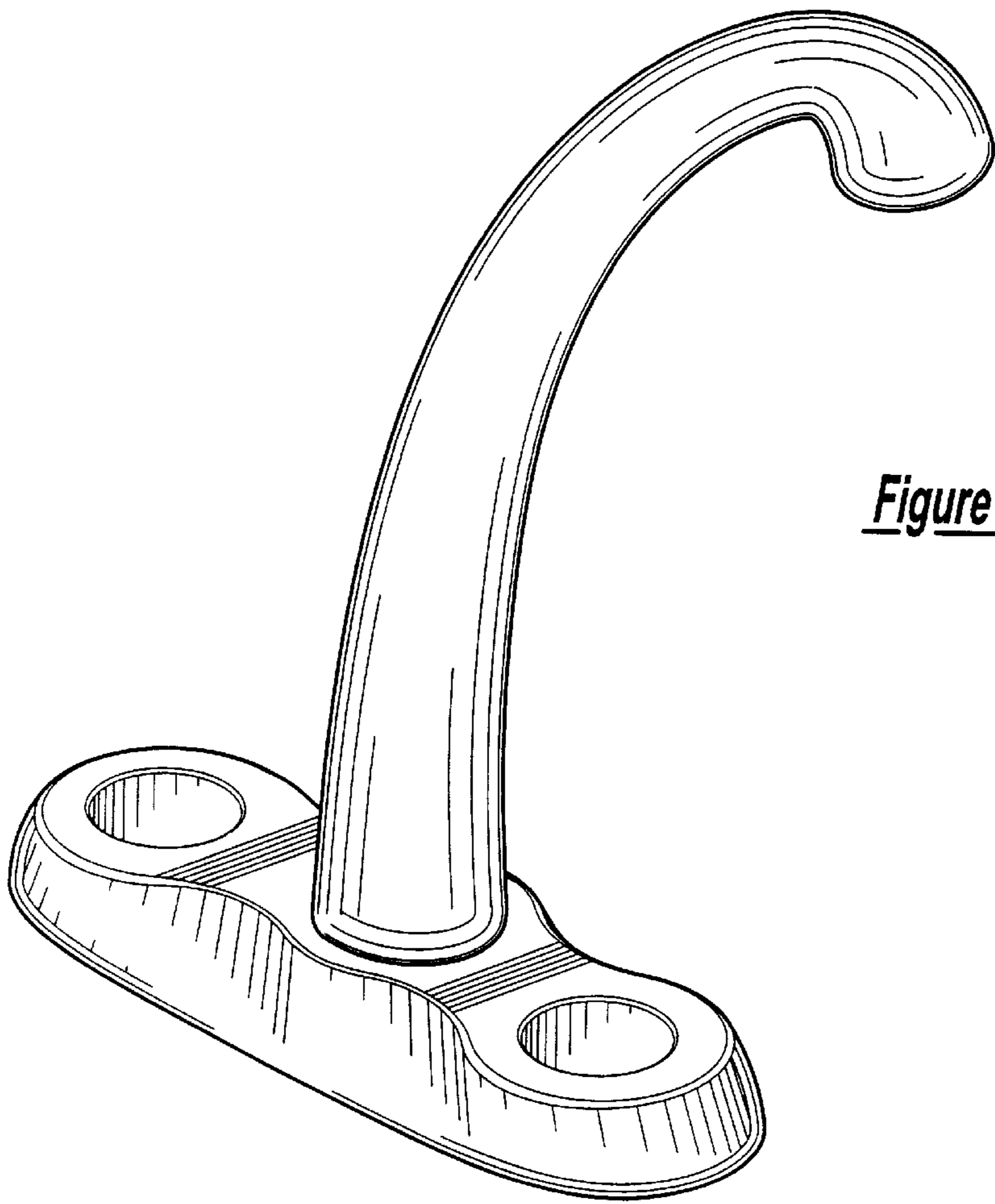


Figure - 1

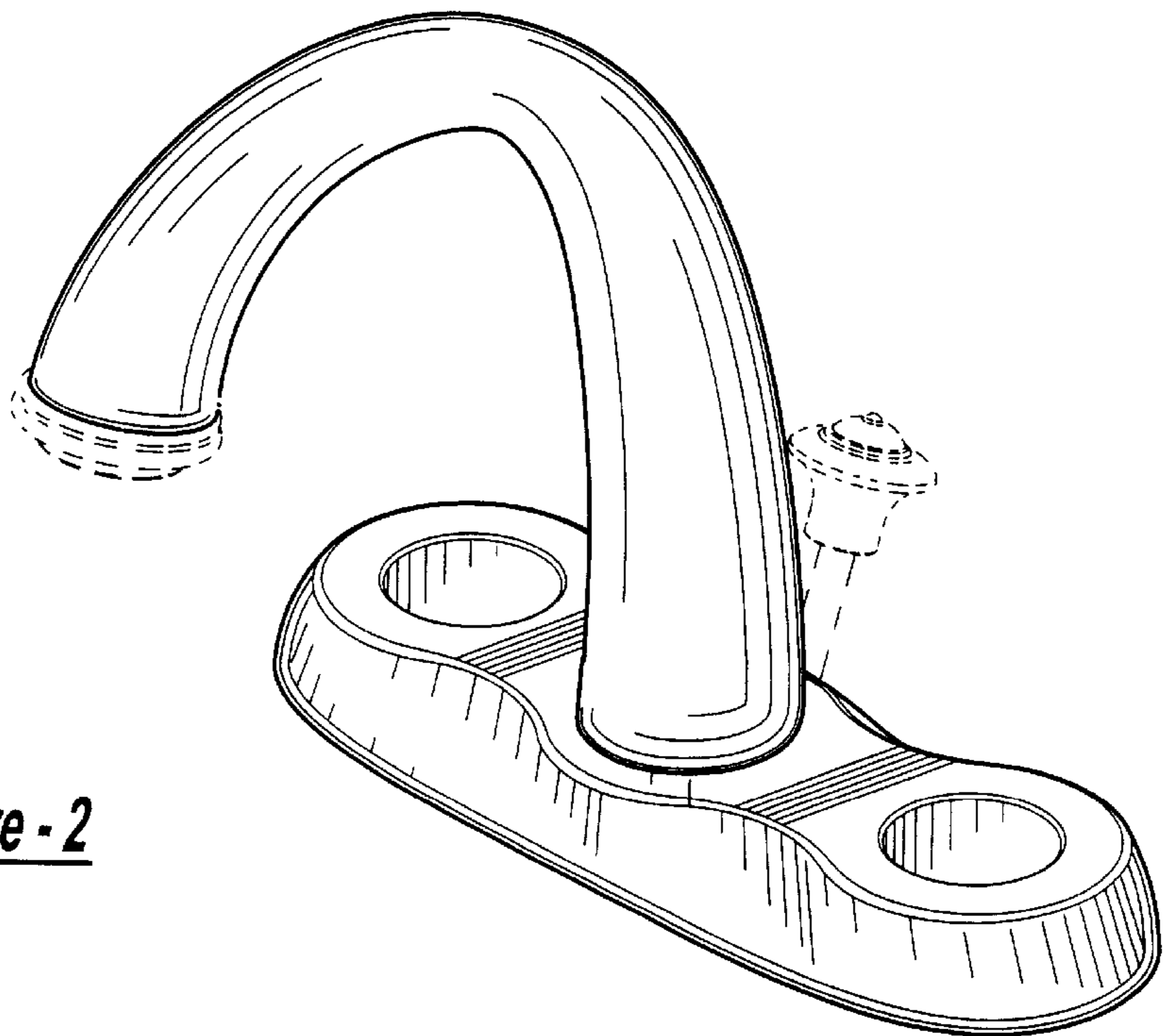


Figure - 2

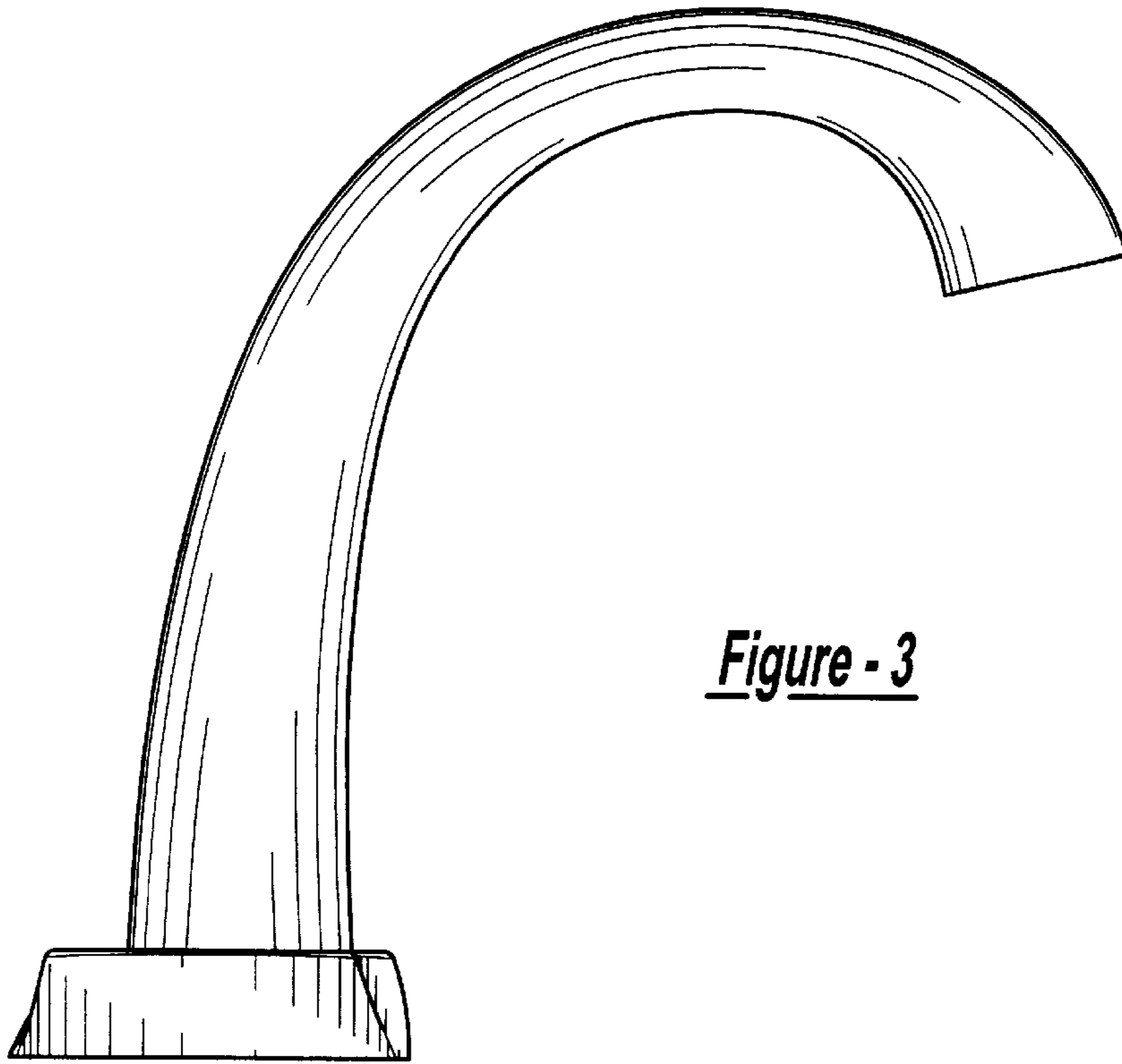


Figure - 3

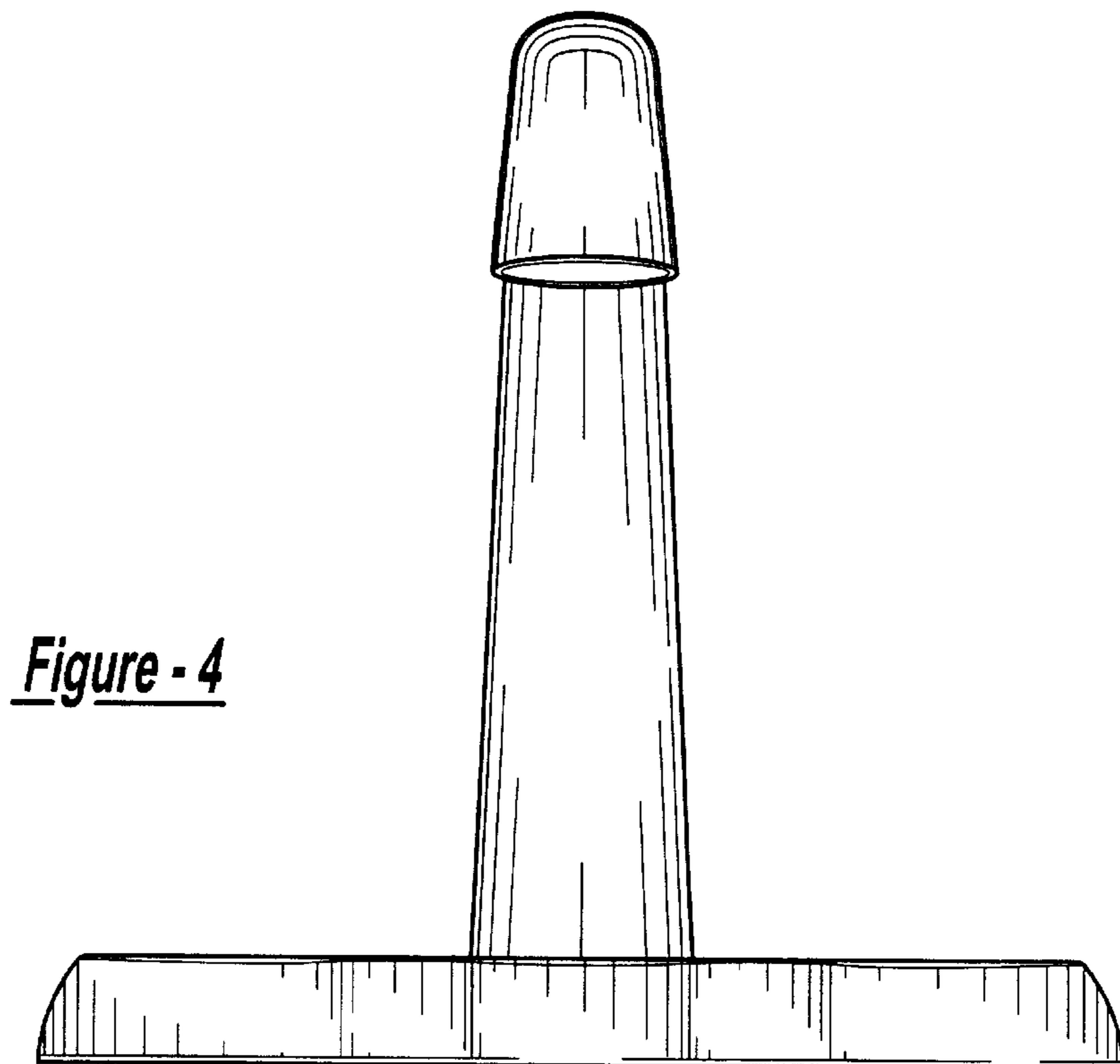


Figure - 4

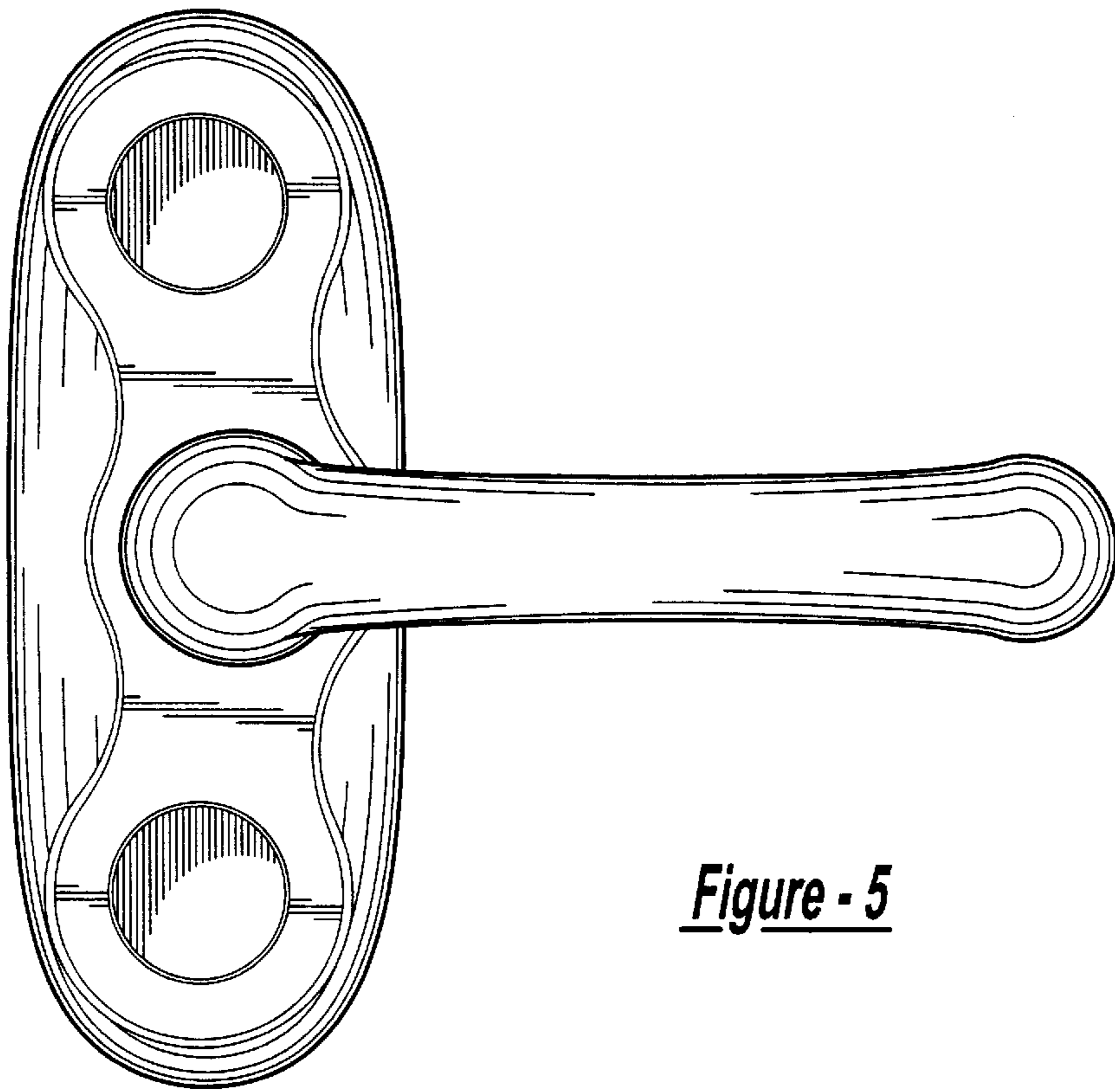


Figure - 5

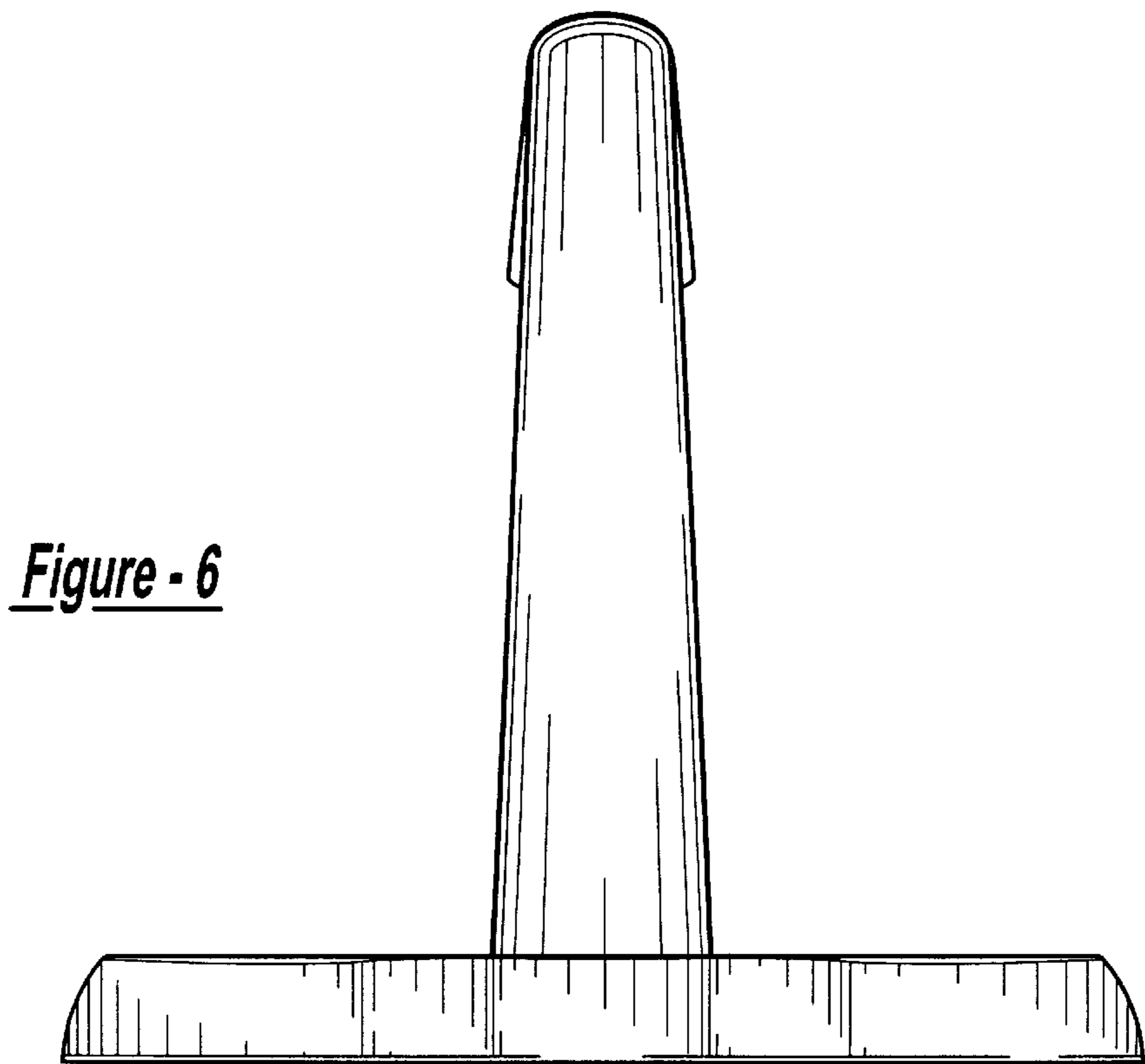


Figure - 6

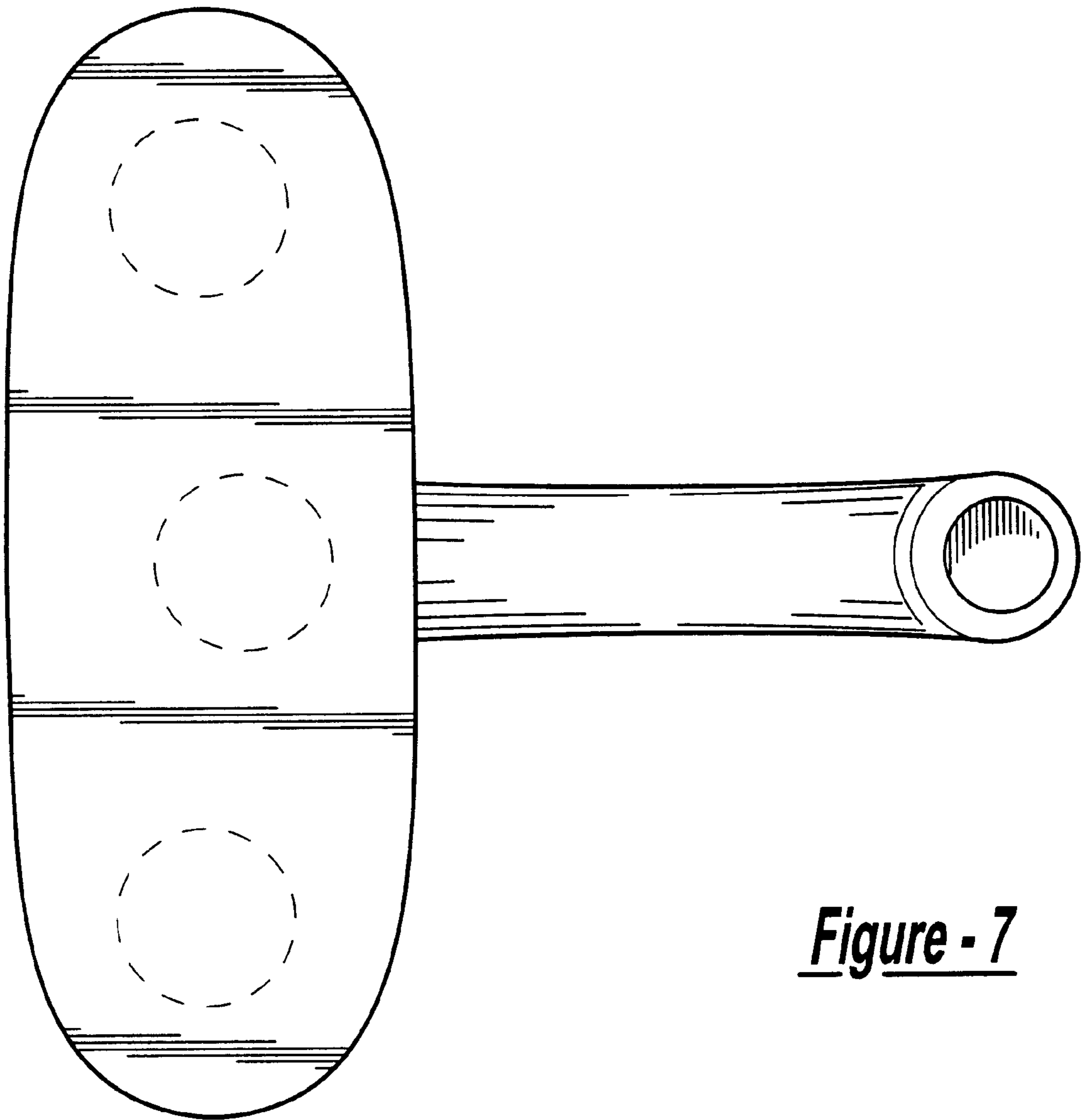


Figure - 7