



US00D432625S

United States Patent [19] Chan

[11] **Patent Number: Des. 432,625**

[45] **Date of Patent: ** Oct. 24, 2000**

[54] **SHOWERHEAD**

[75] Inventor: **Jason Siu Ming Chan**, North Point,
The Hong Kong Special Administrative
Region of the People's Republic of
China

[73] Assignee: **Aquamate Company Limited**,
Kowloon, The Hong Kong Special
Administrative Region of the People's
Republic of China

[**] Term: **14 Years**

[21] Appl. No.: **29/113,334**

[22] Filed: **Nov. 4, 1999**

[51] **LOC (7) Cl.** **23-01**

[52] **U.S. Cl.** **D23/223**

[58] **Field of Search** D23/213, 223,
D23/226, 229-230; 239/394, 462

[56] **References Cited**

U.S. PATENT DOCUMENTS

D. 295,437 4/1988 Fabian D23/223

D. 339,627 9/1993 Klose D23/223
D. 370,052 5/1996 Chan et al. D23/223
D. 405,502 2/1999 Tse D23/223
D. 418,200 12/1999 Ben-Tsur D23/223

Primary Examiner—Robin V. Taylor
Attorney, Agent, or Firm—Leydig, Voit & Mayer, Ltd.

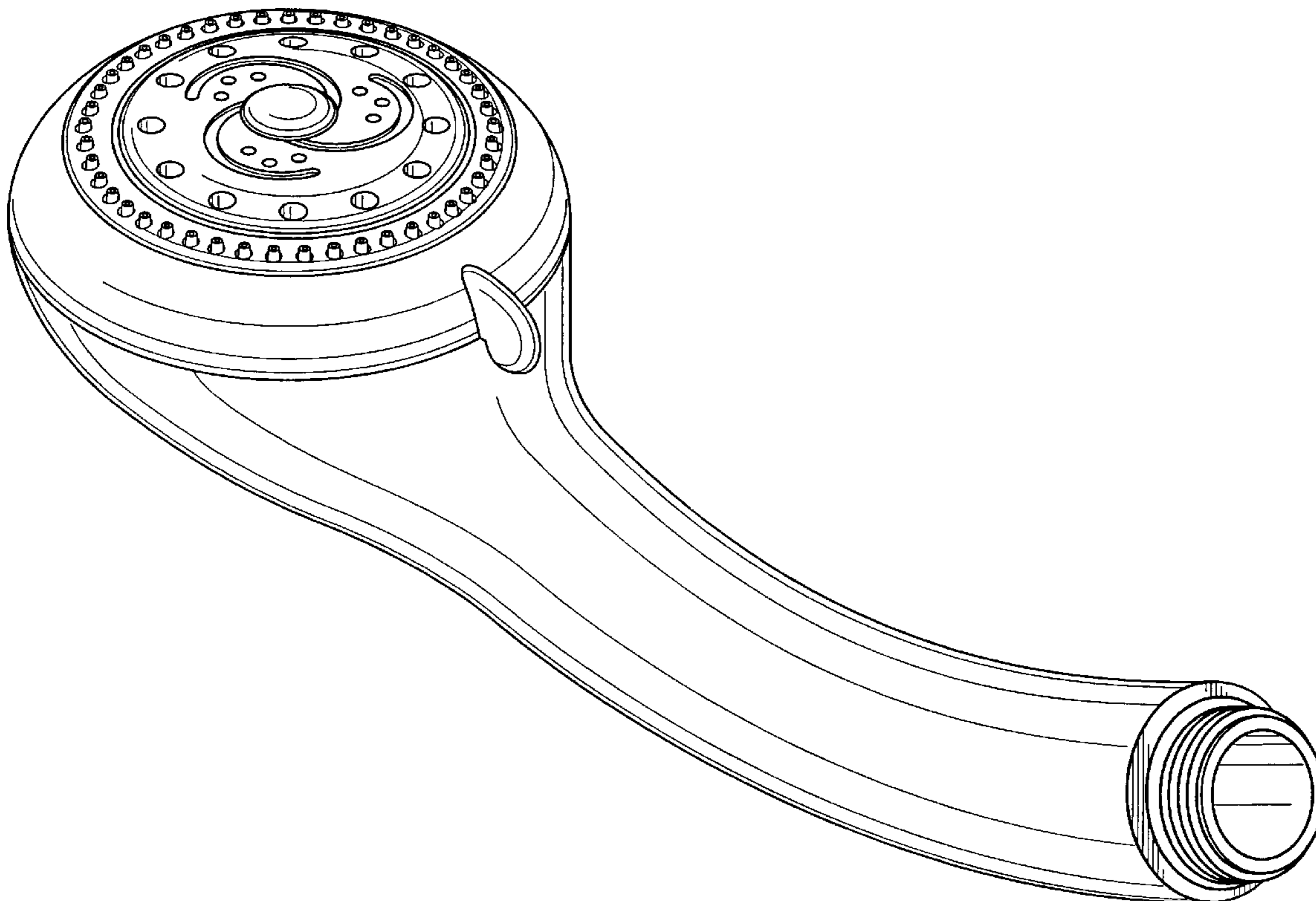
[57] **CLAIM**

The ornamental design for a showerhead, as shown and described.

DESCRIPTION

FIG. 1 is a front and left side perspective view of a showerhead showing my new design;
FIG. 2 is a front elevational view thereof;
FIG. 3 is a left side elevational view thereof;
FIG. 4 is a right elevational view thereof;
FIG. 5 is a rear elevational view thereof;
FIG. 6 is a top end elevational view thereof; and,
FIG. 7 is a bottom end elevational view thereof.

1 Claim, 4 Drawing Sheets



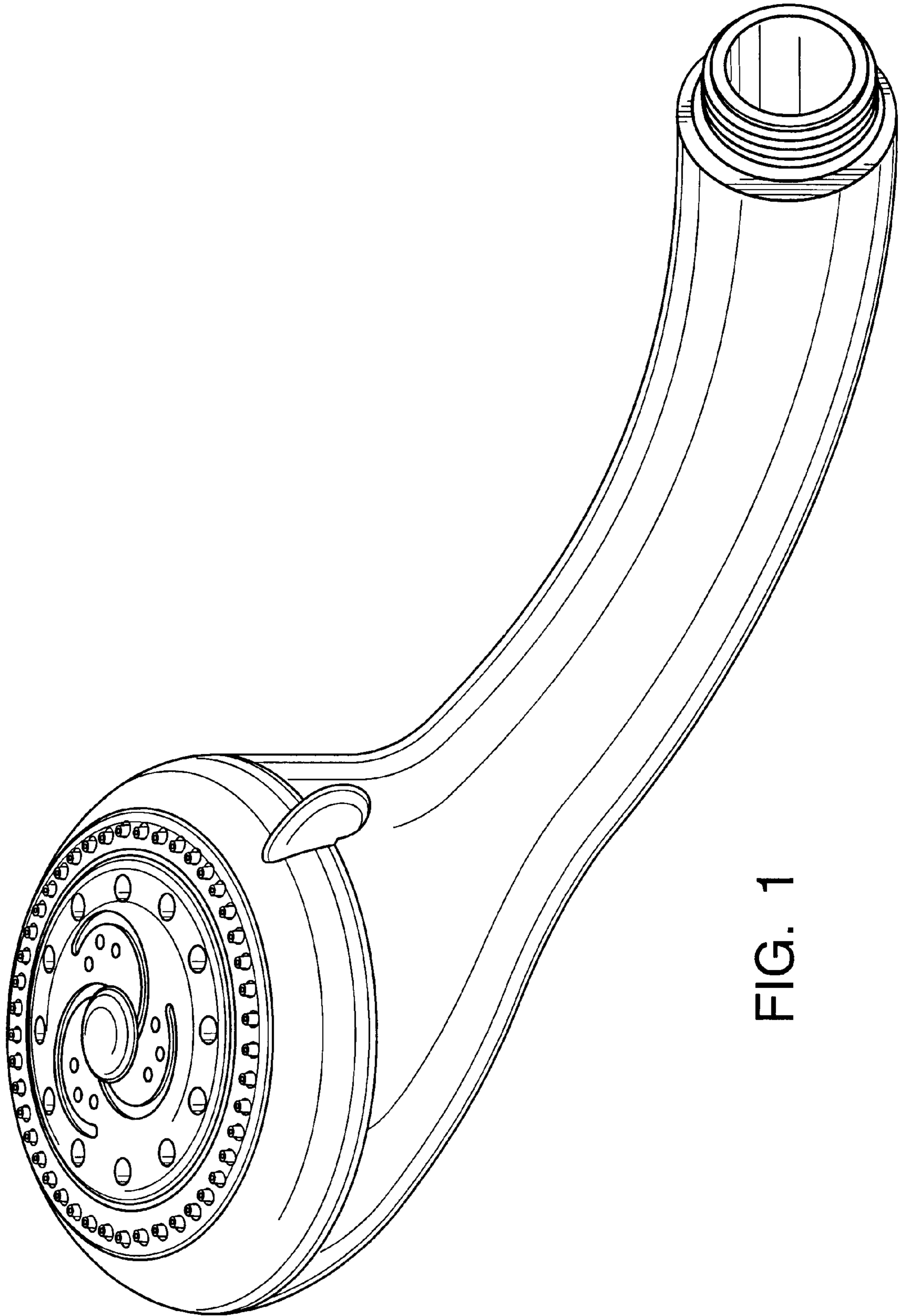


FIG. 1

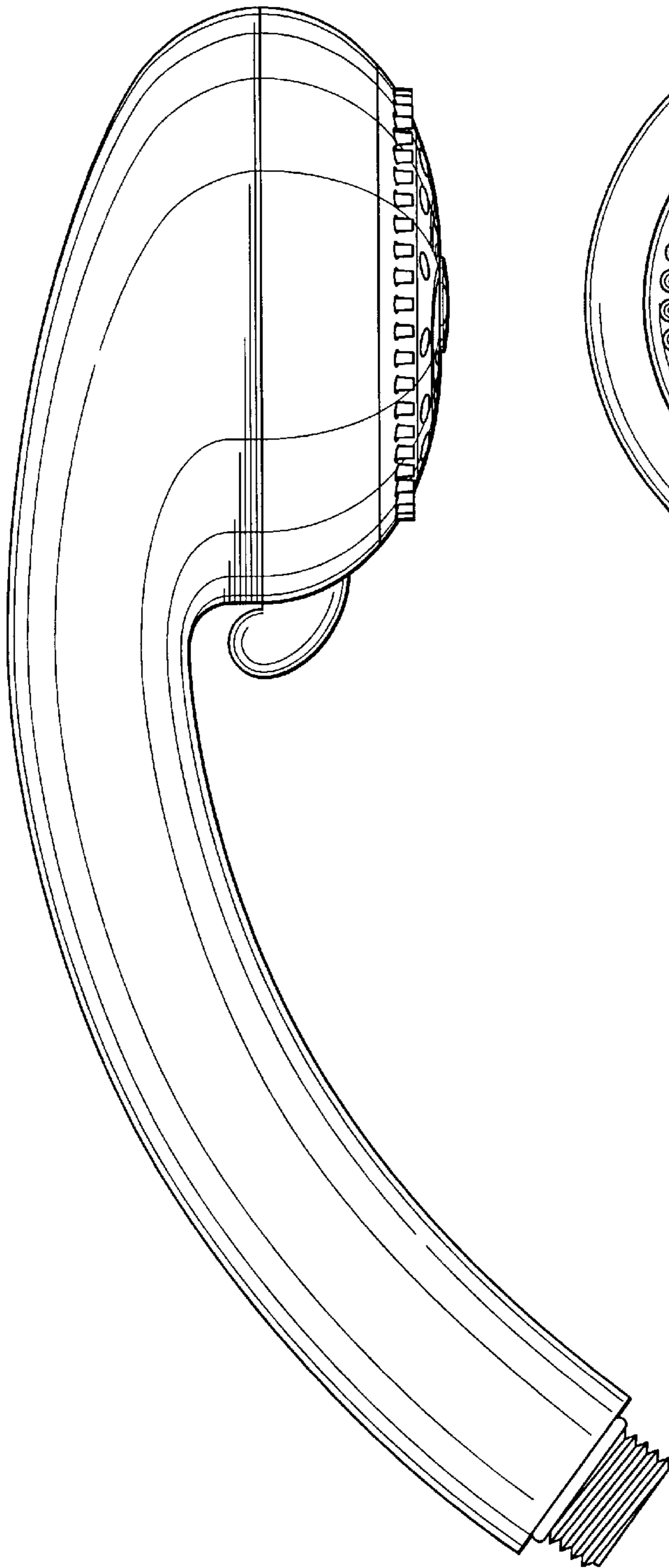


FIG. 3

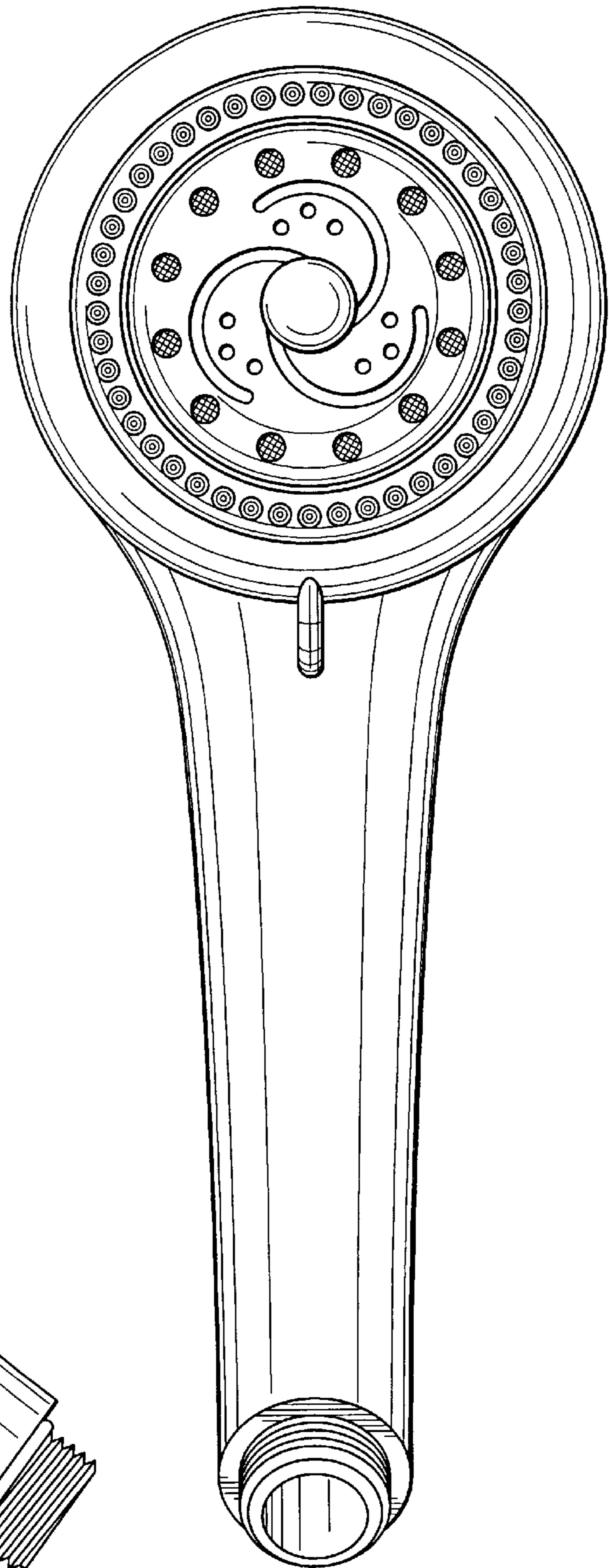


FIG. 2

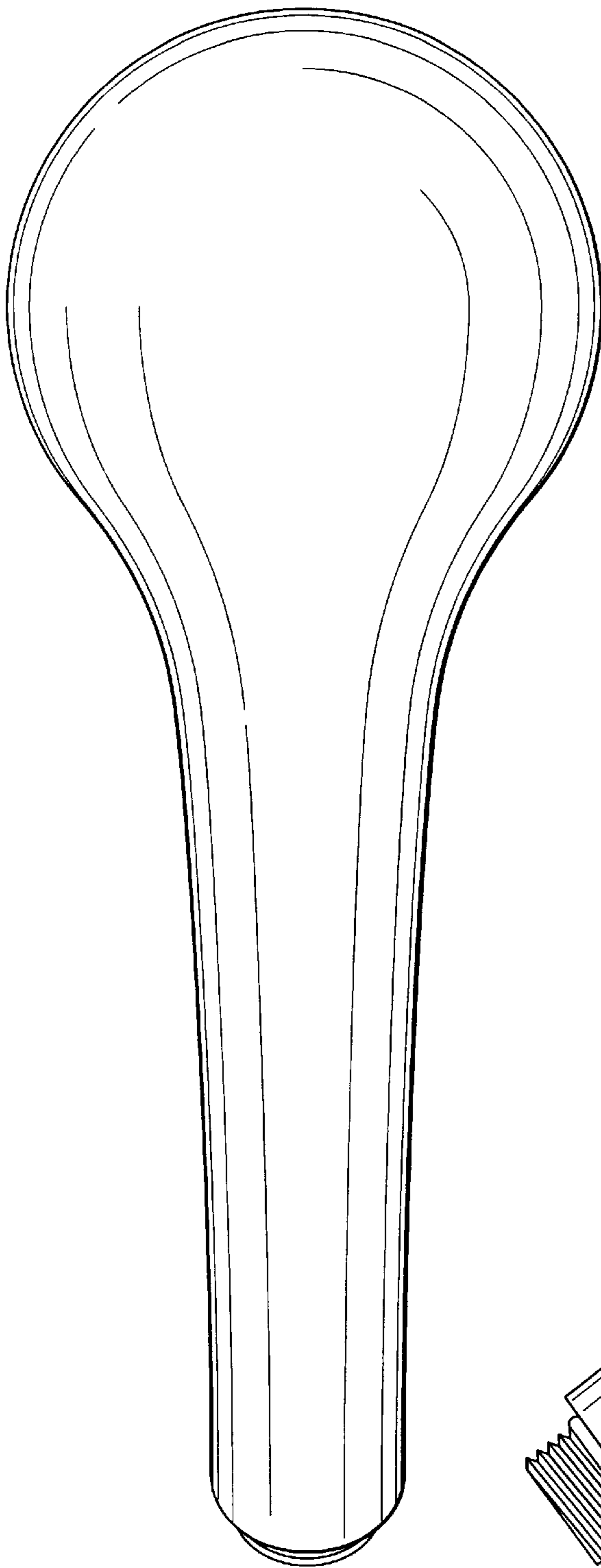


FIG. 5

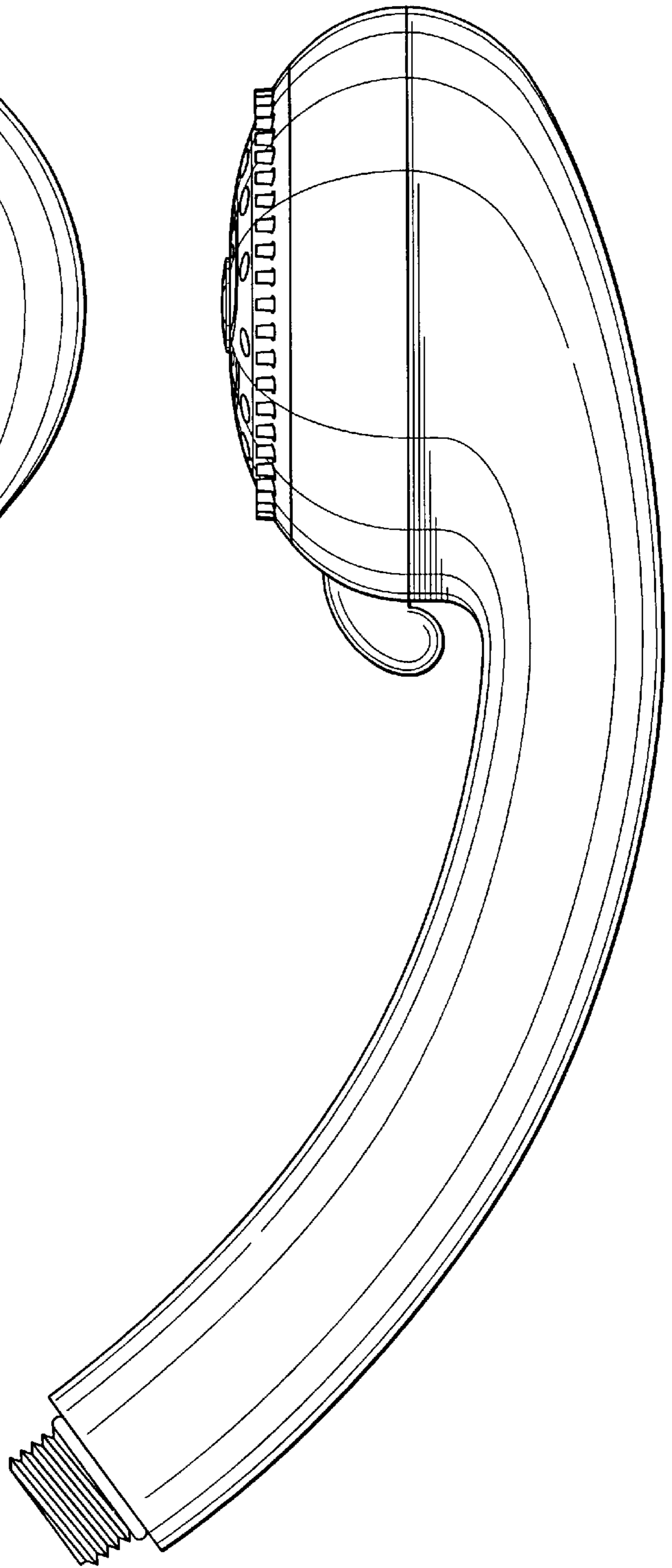


FIG. 4

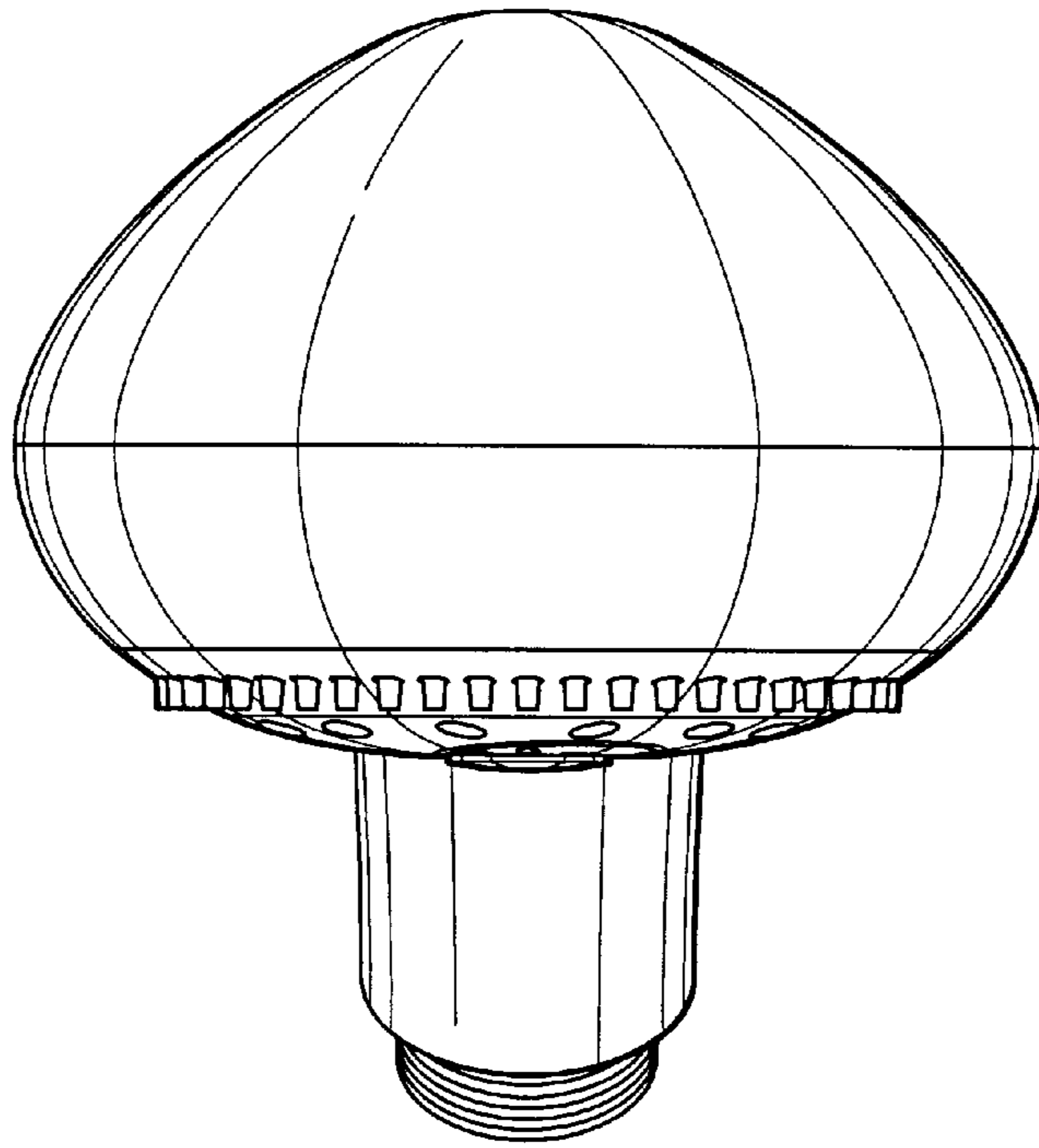


FIG. 6

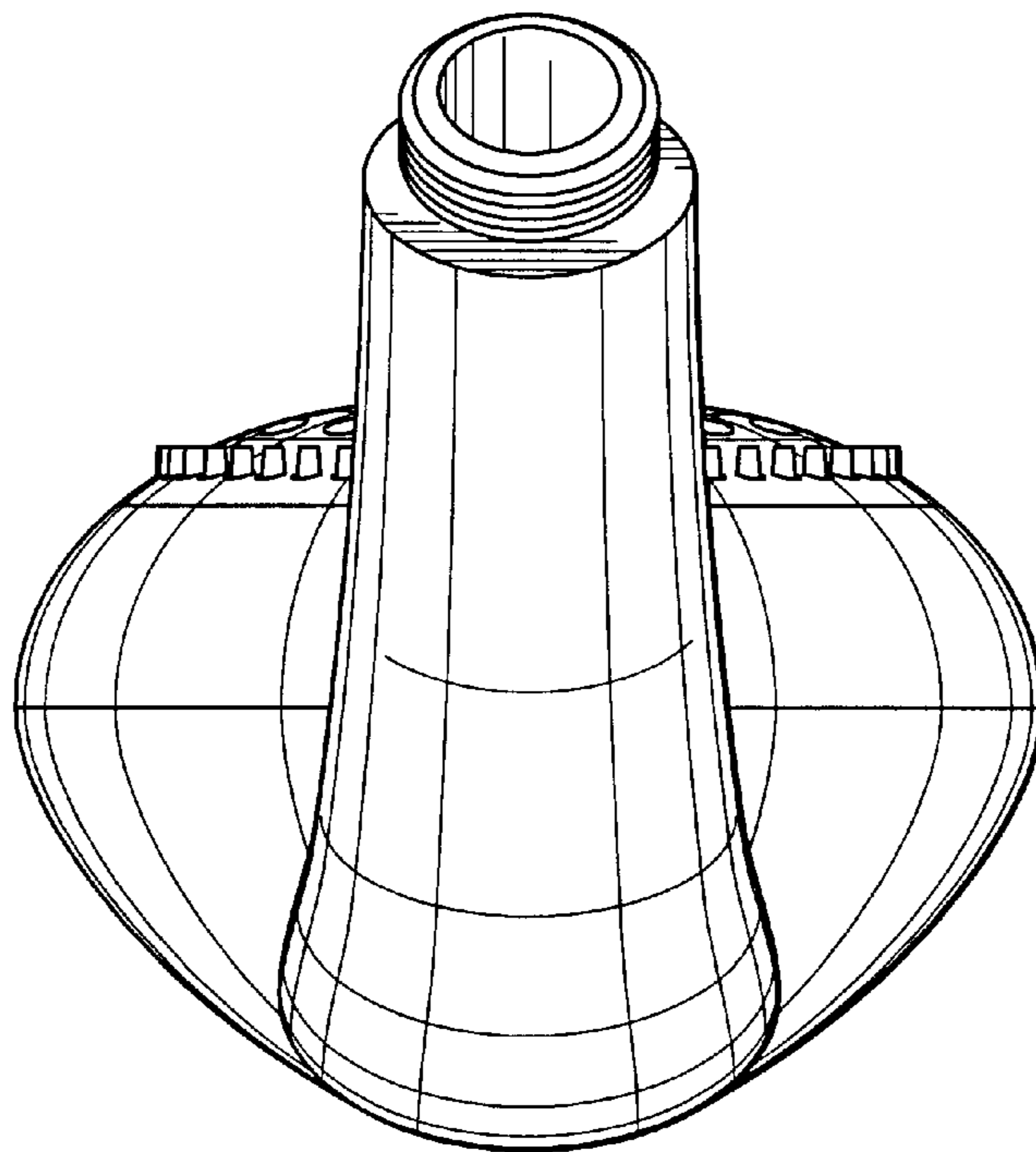


FIG. 7