



US00D432623S

**United States Patent** [19]  
**Sawhney et al.**

[11] **Patent Number: Des. 432,623**

[45] **Date of Patent: \*\* Oct. 24, 2000**

[54] **SPRAY HEAD**

[75] Inventors: **Ravi Sawhney**, Calabasas; **Lance Hussey**, Sherman Oaks, both of Calif.

[73] Assignee: **Emhart Inc.**, Newark, Del.

[\*\*] Term: **14 Years**

[21] Appl. No.: **29/107,812**

[22] Filed: **Jul. 15, 1999**

[51] **LOC (7) Cl.** ..... **23-01**

[52] **U.S. Cl.** ..... **D23/223**

[58] **Field of Search** ..... D23/213, 223,  
D23/226, 229; 239/394, 525-6, 461-2

[56] **References Cited**

**U.S. PATENT DOCUMENTS**

- D. 289,545 4/1987 Koch ..... D23/223
- D. 348,505 7/1994 Bosio ..... D23/223
- D. 352,766 11/1994 Hill et al. .... D23/223
- D. 411,606 6/1999 Ouyoung ..... D23/223

D. 416,979 11/1999 Bosio ..... D23/223

*Primary Examiner*—Robin V. Taylor  
*Attorney, Agent, or Firm*—Edward D. Murphy

[57] **CLAIM**

The ornamental design for a spray head, as shown and described.

**DESCRIPTION**

FIG. 1 is a perspective view of our new design of a spray head;

FIG. 2 is a top view of our new design of a spray head;

FIG. 3 is a left side view of our new design of a spray head and the right side view (not shown) is a mirror image of the left side view;

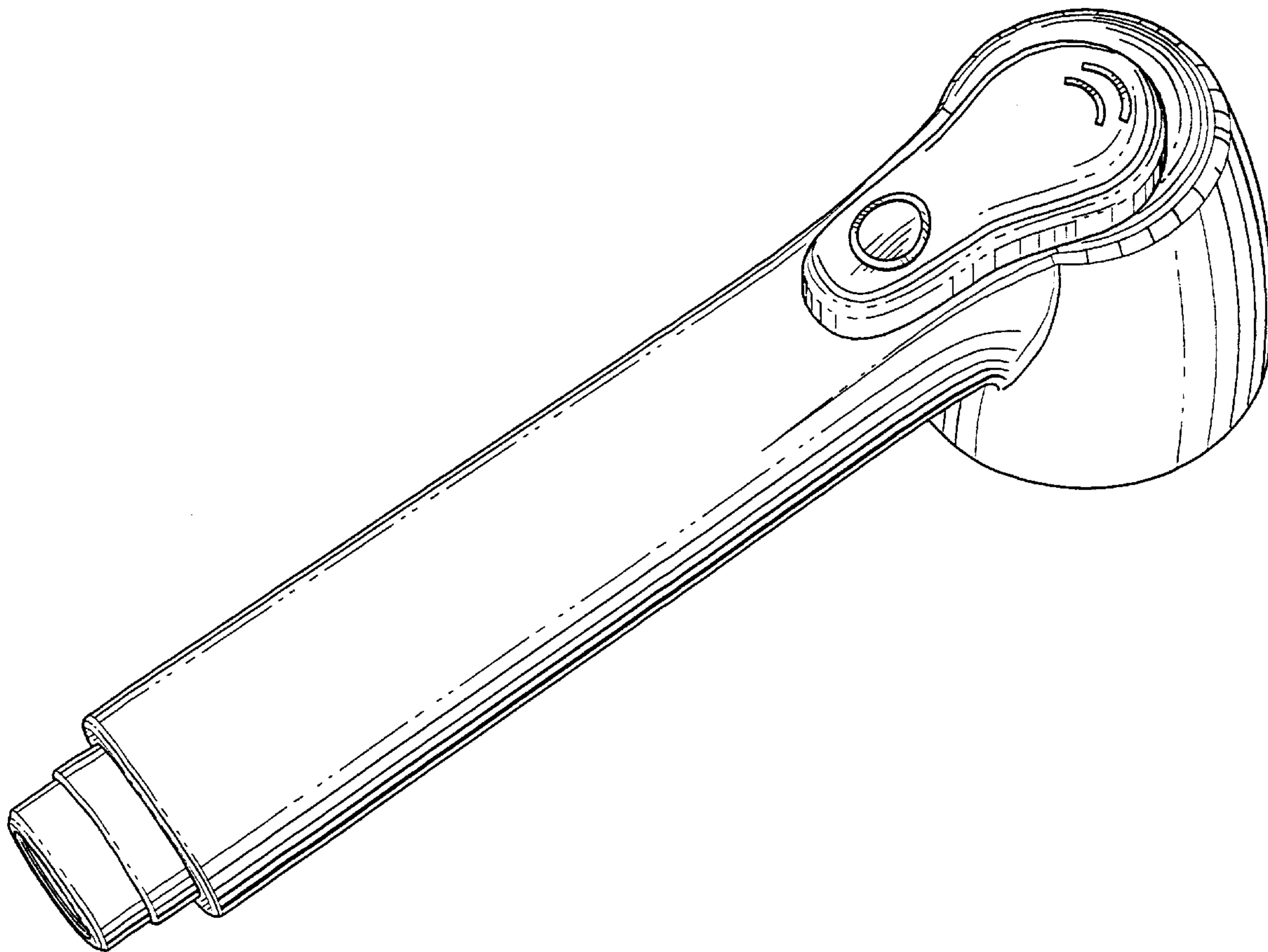
FIG. 4 is a front view of our new design of a spray head;

FIG. 5 is a rear view of our new design of a spray head;

FIG. 6 is a bottom view of our new design of a spray head; and,

FIG. 7 is an end view looking upwardly along the handle toward the head of our new design of a spray head.

**1 Claim, 4 Drawing Sheets**



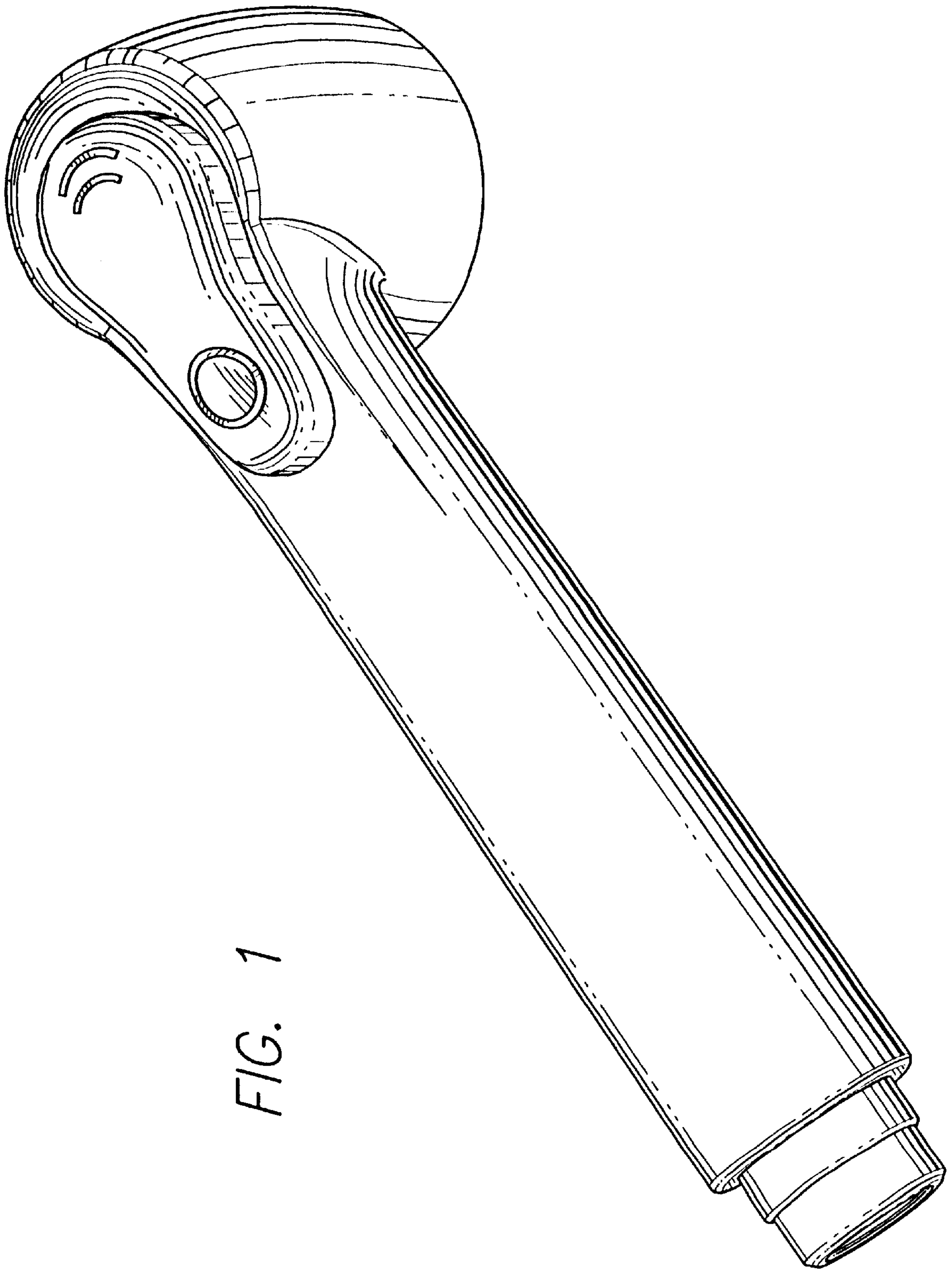


FIG. 1

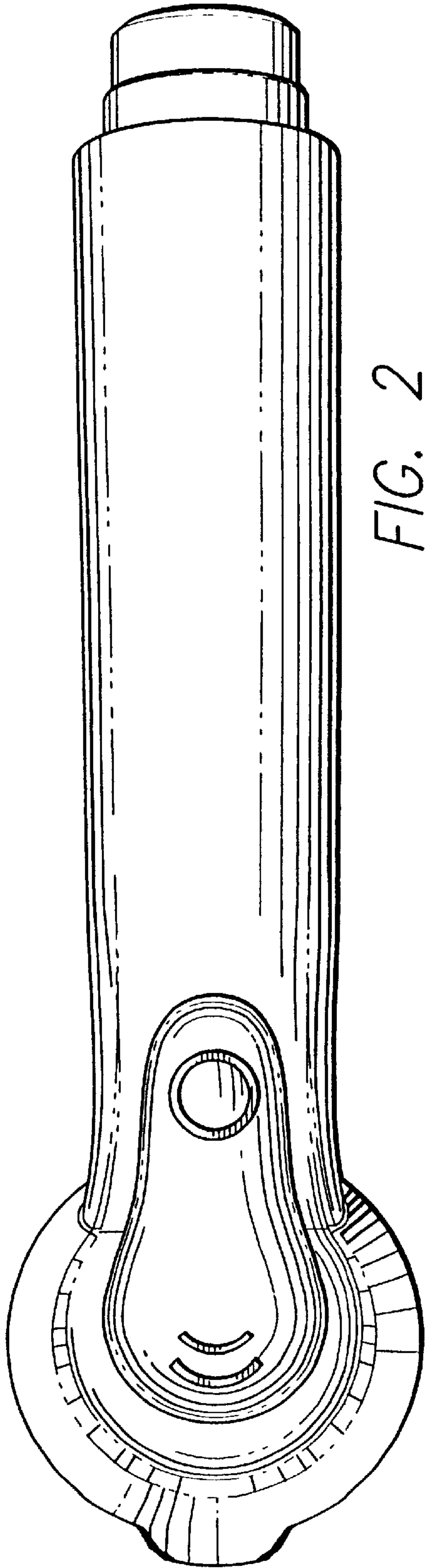


FIG. 2

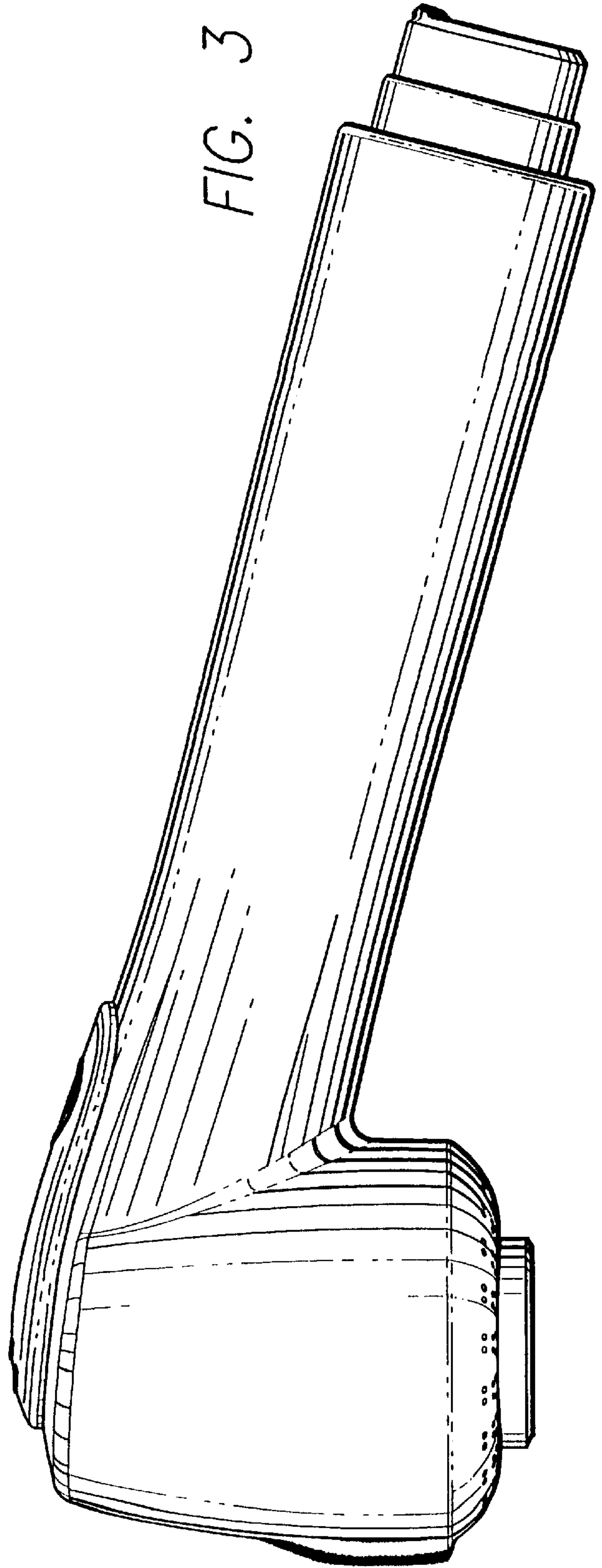


FIG. 3



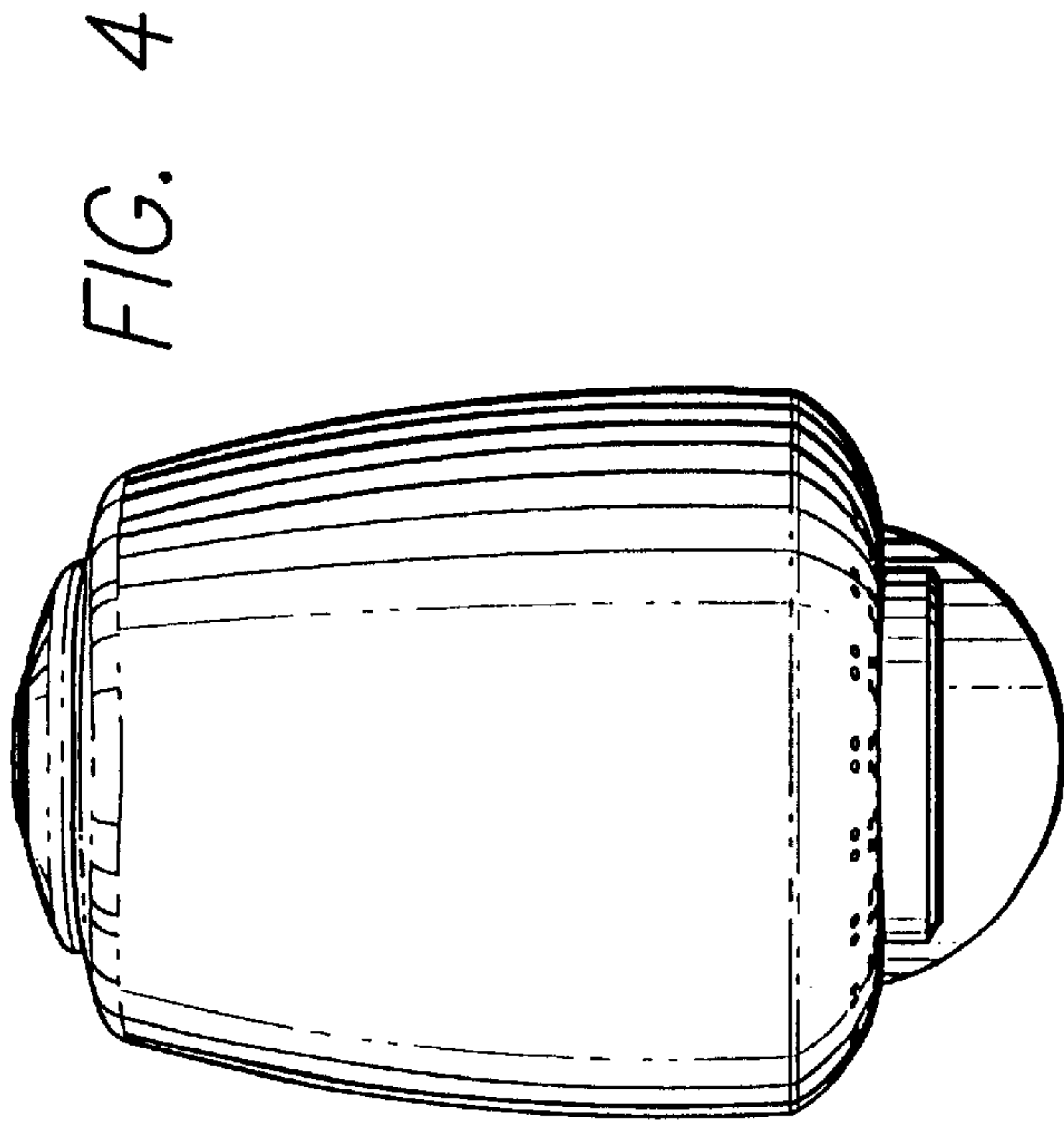


FIG. 4

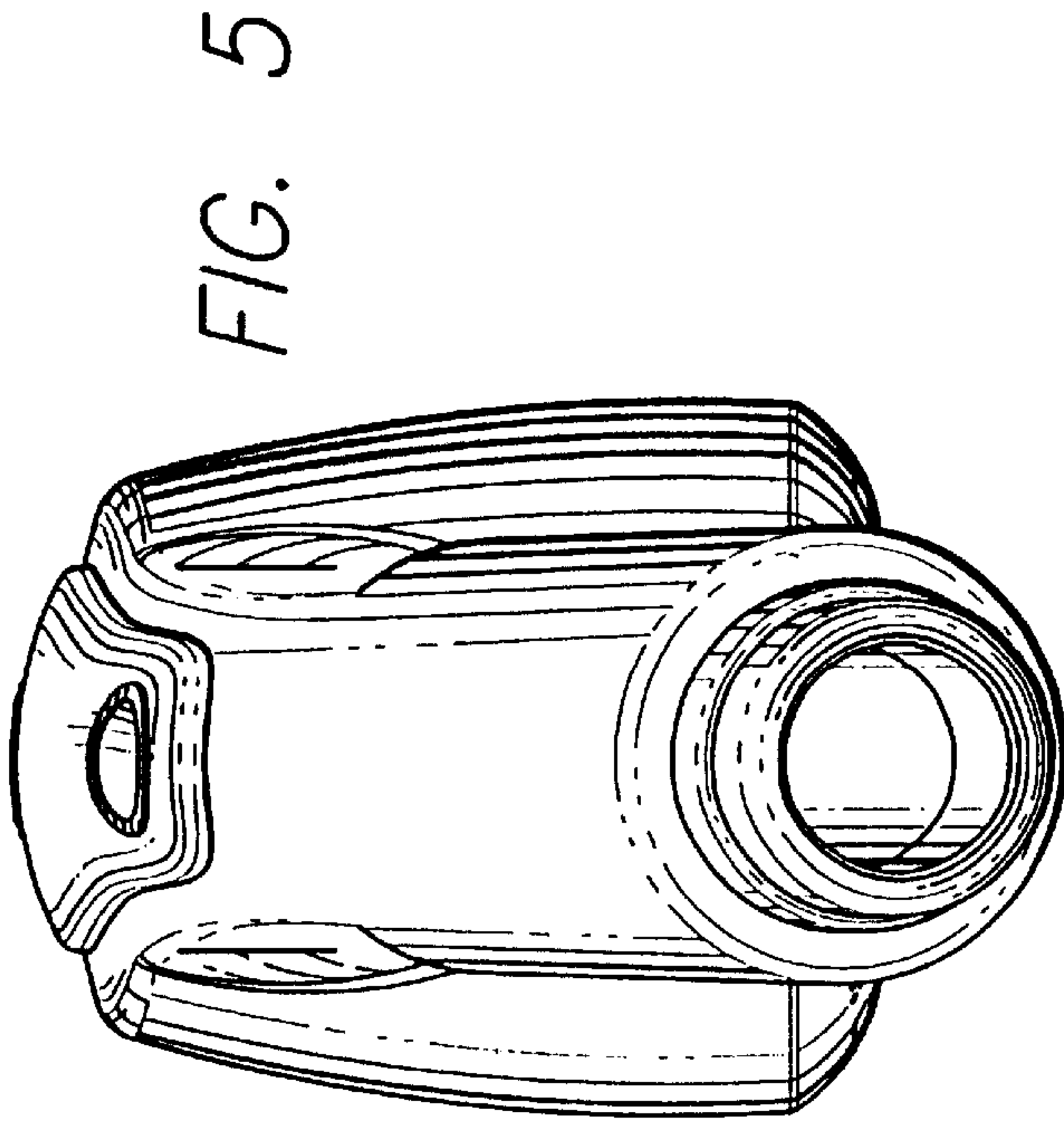


FIG. 5

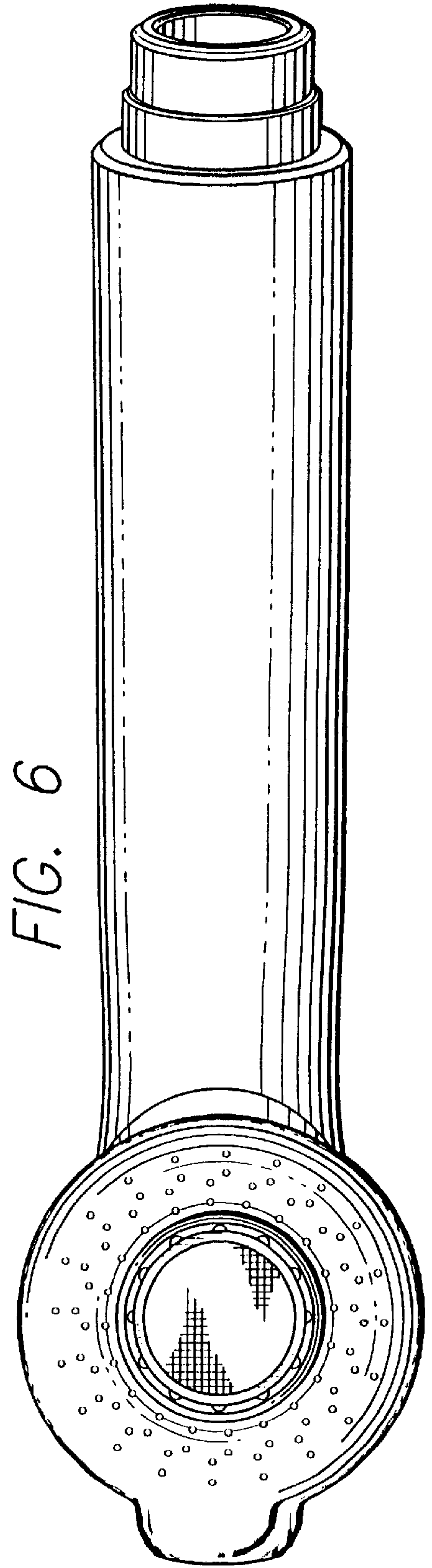


FIG. 6

FIG. 7

