



US00D432622S

United States Patent [19]

Thompson et al.

[11] **Patent Number: Des. 432,622**

[45] **Date of Patent: ** Oct. 24, 2000**

[54] **FILTER CARTRIDGE**

[75] Inventors: **Paul M. Thompson; Gary A. Ashurst**, both of Fort Collins, Colo.; **Donald J. Segien, Jr.**, Chatsworth; **Jack T. Nguyen**, Mission Viejo, both of Calif.

[73] Assignees: **Teledyne Industries, Inc.**, Fort Collins, Colo.; **Emhart, Inc.**, Newark, Del.

[**] Term: **14 Years**

[21] Appl. No.: **29/089,744**

[22] Filed: **Jun. 22, 1998**

[51] **LOC (7) Cl.** **23-01**

[52] **U.S. Cl.** **D23/209**

[58] **Field of Search** D23/200, 207, D23/209; 210/264, 266, 282, 459, 460, 464, 435

[56] **References Cited**

U.S. PATENT DOCUMENTS

D. 253,841	1/1980	Sanderson	D23/207
D. 351,892	10/1994	Wolf et al.	D23/207
D. 388,500	12/1997	Burchard et al.	..	
3,522,882	8/1970	Dykes	210/266

5,223,136	6/1993	Gilbert	210/435
5,744,033	4/1998	Bertrand et al.	..	

OTHER PUBLICATIONS

Moen PureTouch brochure, Copyright 1998. See pp. 5 and 6 particularly.

Primary Examiner—Robin V. Taylor
Attorney, Agent, or Firm—Holland & Hart LLP

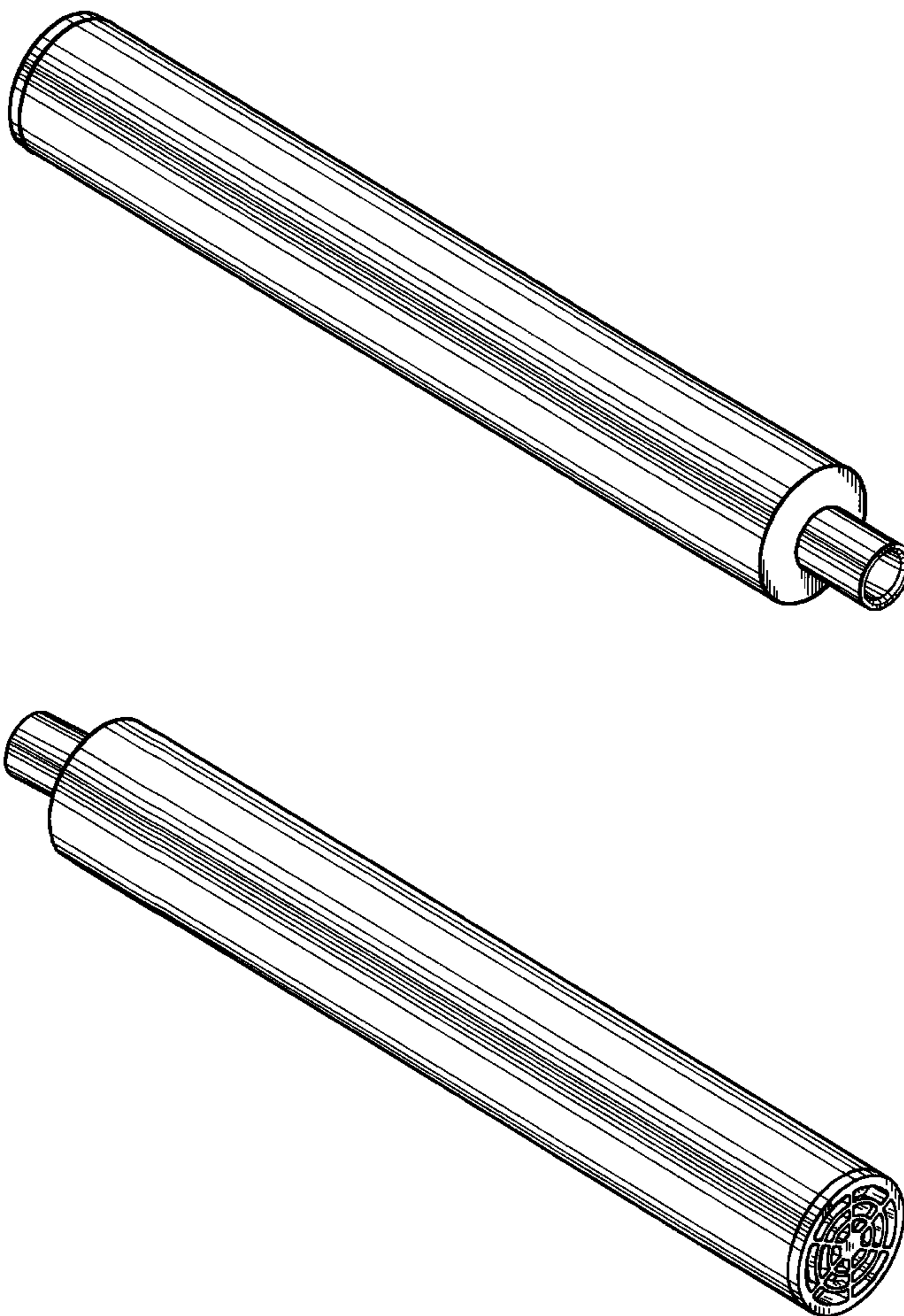
[57] **CLAIM**

The ornamental design for a filter cartridge, as shown and described.

DESCRIPTION

FIG. 1 is a front perspective view of the filter cartridge showing our new design;
FIG. 2 is a rear perspective view thereof;
FIG. 3 is a right side elevational view thereof, the left, top and bottom side views being identical thereto;
FIG. 4 is a front end elevational view thereof;
FIG. 5 is a rear end elevational view thereof; and,
FIG. 6 is a perspective view of the filter cartridge in full lines with the broken lines showing environmental association matter being for illustrative purposes only and forming no part of the claimed design.

1 Claim, 3 Drawing Sheets



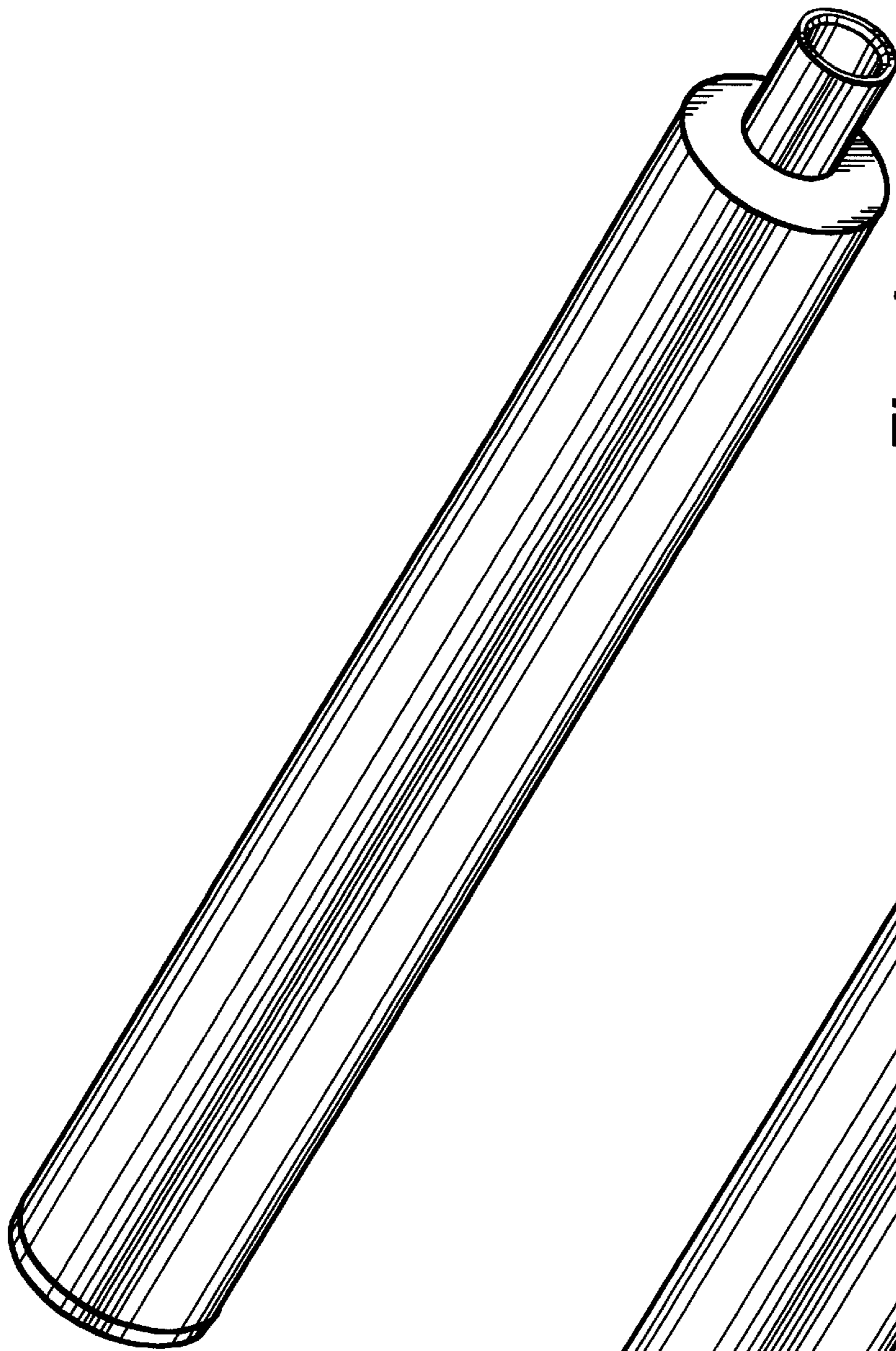


Fig. 1

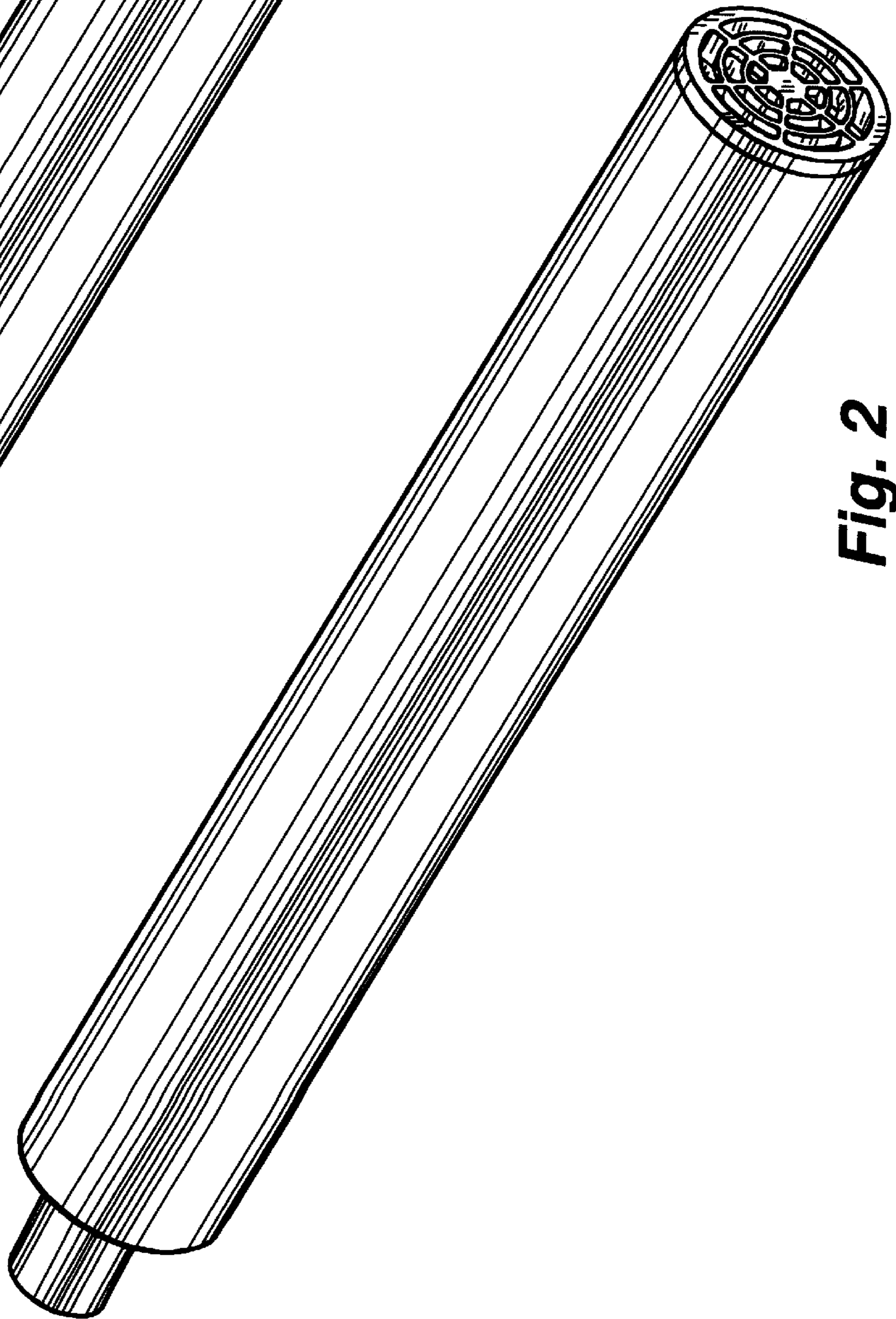


Fig. 2



Fig. 3

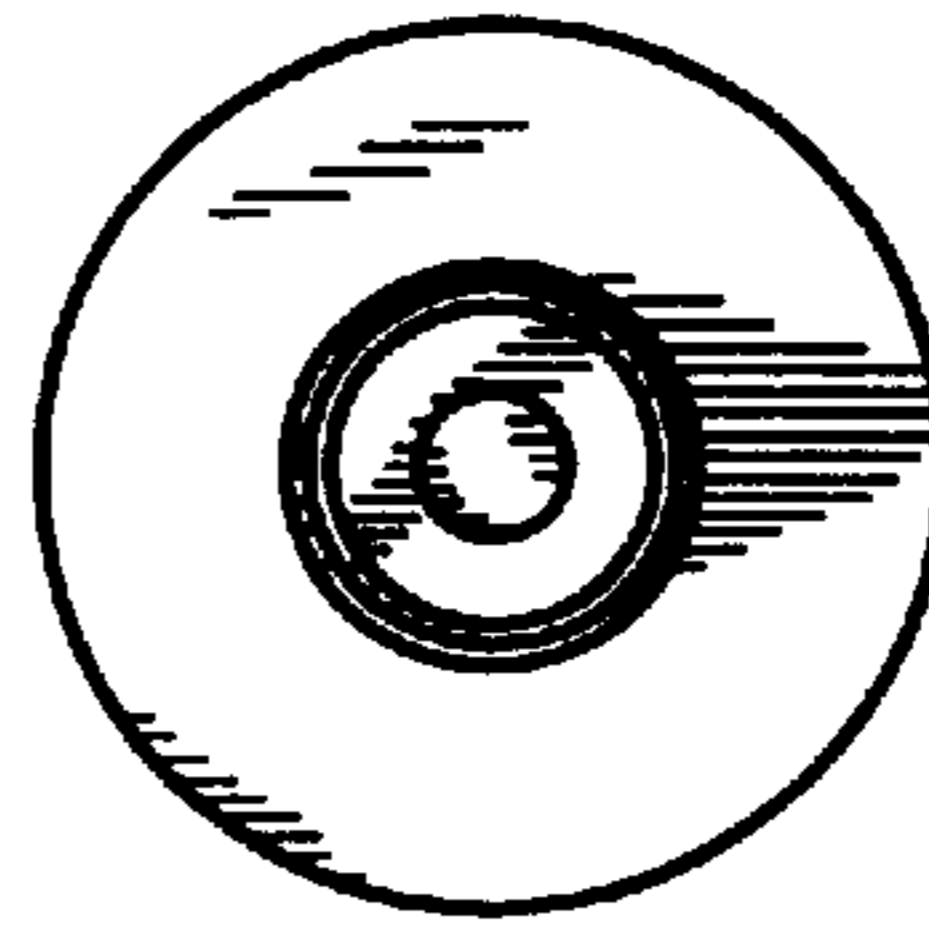


Fig. 4

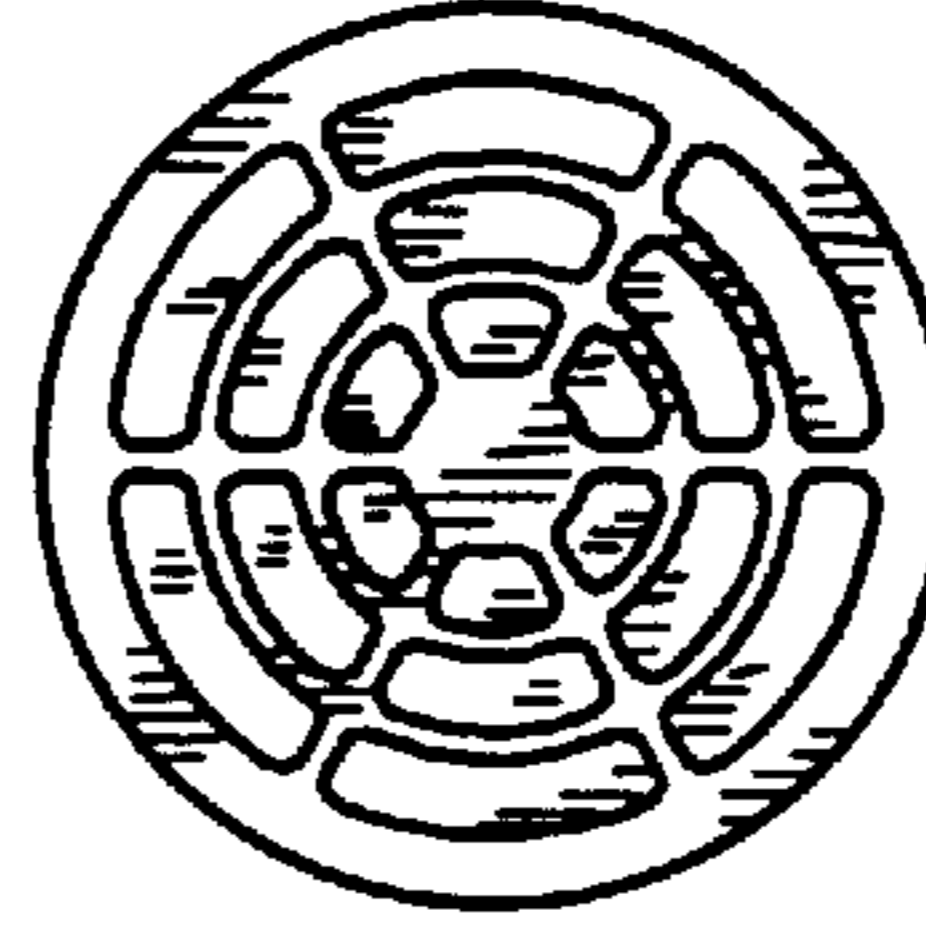


Fig. 5

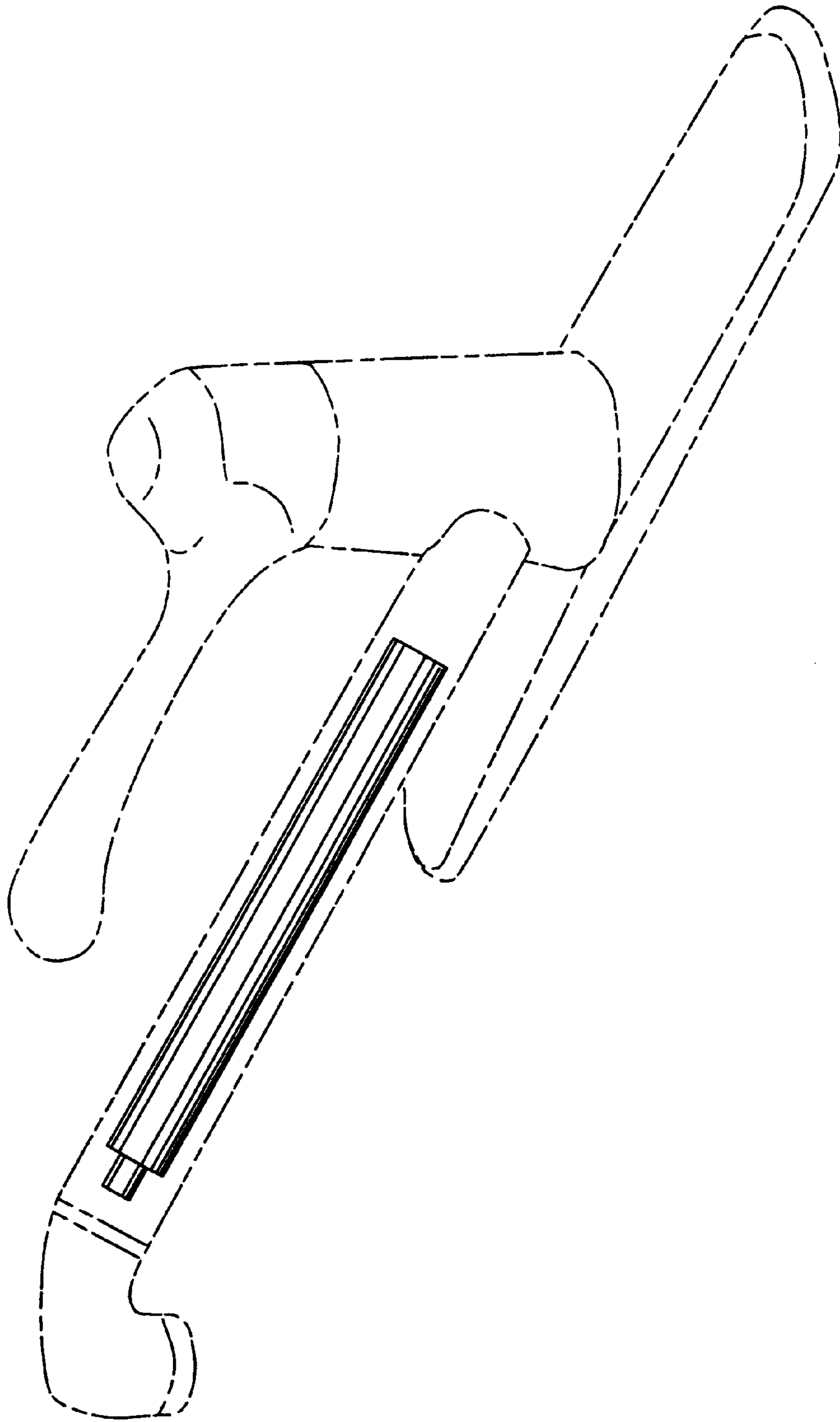


Fig. 6