



US00D432620S

United States Patent [19]
Rozkowski

[11] **Patent Number: Des. 432,620**

[45] **Date of Patent: ** Oct. 24, 2000**

[54] **ICE FISHING JIGGING RIG**

5,345,691 9/1994 Falk et al. 242/223
6,032,891 3/2000 Chang 242/223

[75] Inventor: **John Rozkowski**, Sterling Heights,
Mich.

Primary Examiner—Louis S. Zarfaz
Assistant Examiner—Inga-Maria Hyttinen
Attorney, Agent, or Firm—Alex Rhodes

[73] Assignee: **Rozko, Inc.**, Warren, Mich.

[**] Term: **14 Years**

[57] **CLAIM**

[21] Appl. No.: **29/115,835**

The ornamental design for an ice fishing jigging rig, as shown and described.

[22] Filed: **Dec. 21, 1999**

DESCRIPTION

[51] **LOC (7) Cl.** **22-05**

[52] **U.S. Cl.** **D22/134**

[58] **Field of Search** D22/134, 137,
D22/138, 139, 140, 141; 242/370, 223,
224, 234–240; 43/18.1

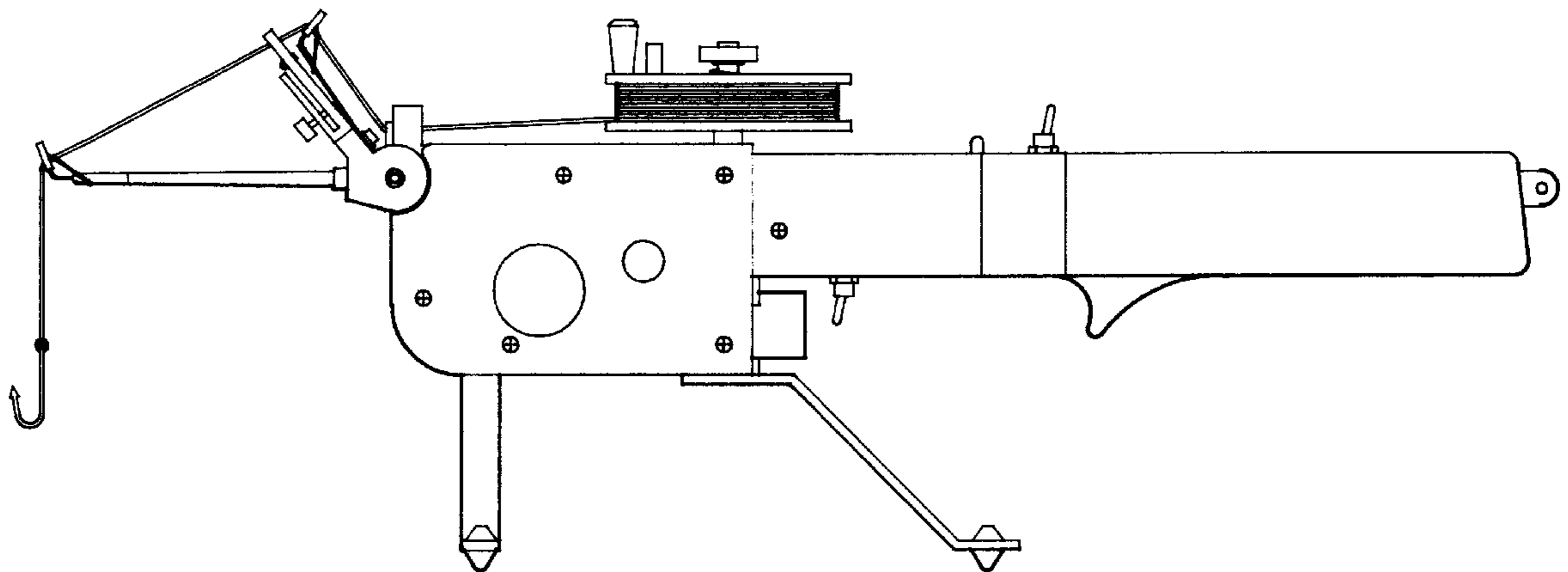
FIG. 1 is a top plan view of an ice fishing jigging rig, showing my new design;
FIG. 2 is a left elevational view of the ice fishing jigging rig;
FIG. 3 is a right elevational view of the ice fishing jigging rig;
FIG. 4 is a bottom view of the ice fishing jigging rig;
FIG. 5 is a front elevational view of the ice fishing jigging rig; and,
FIG. 6 is a rear elevational view of the ice fishing jigging rig.

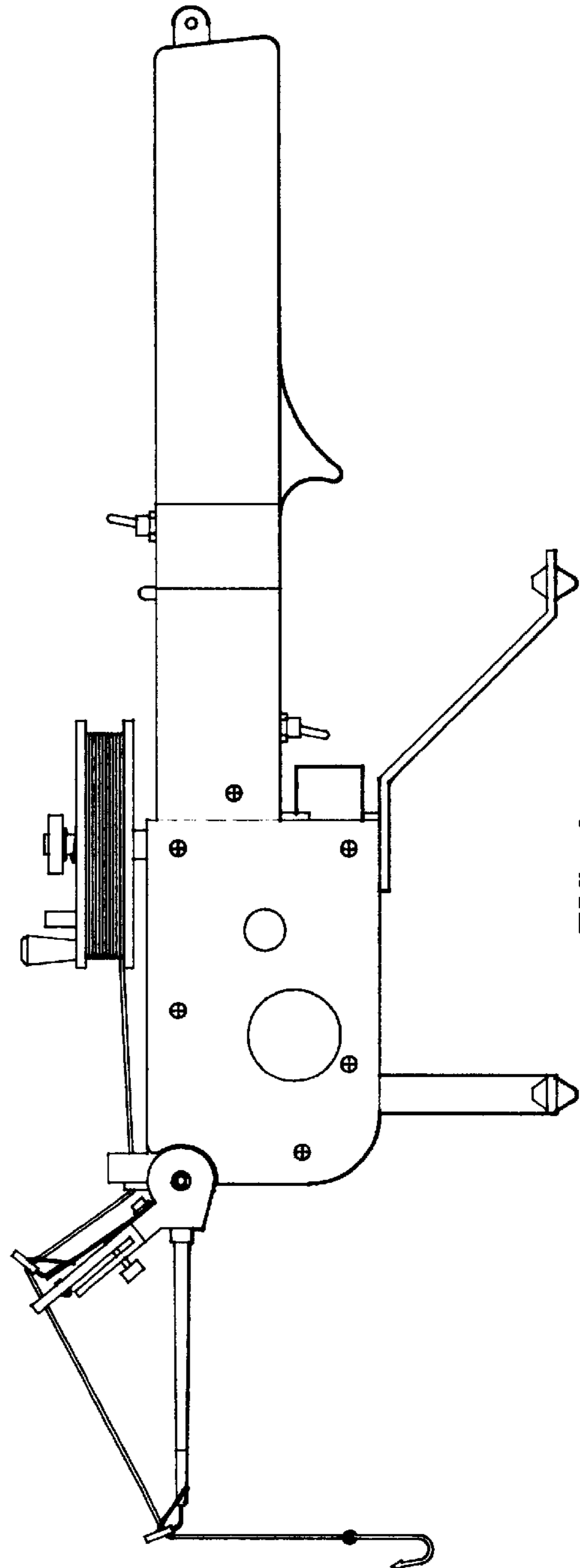
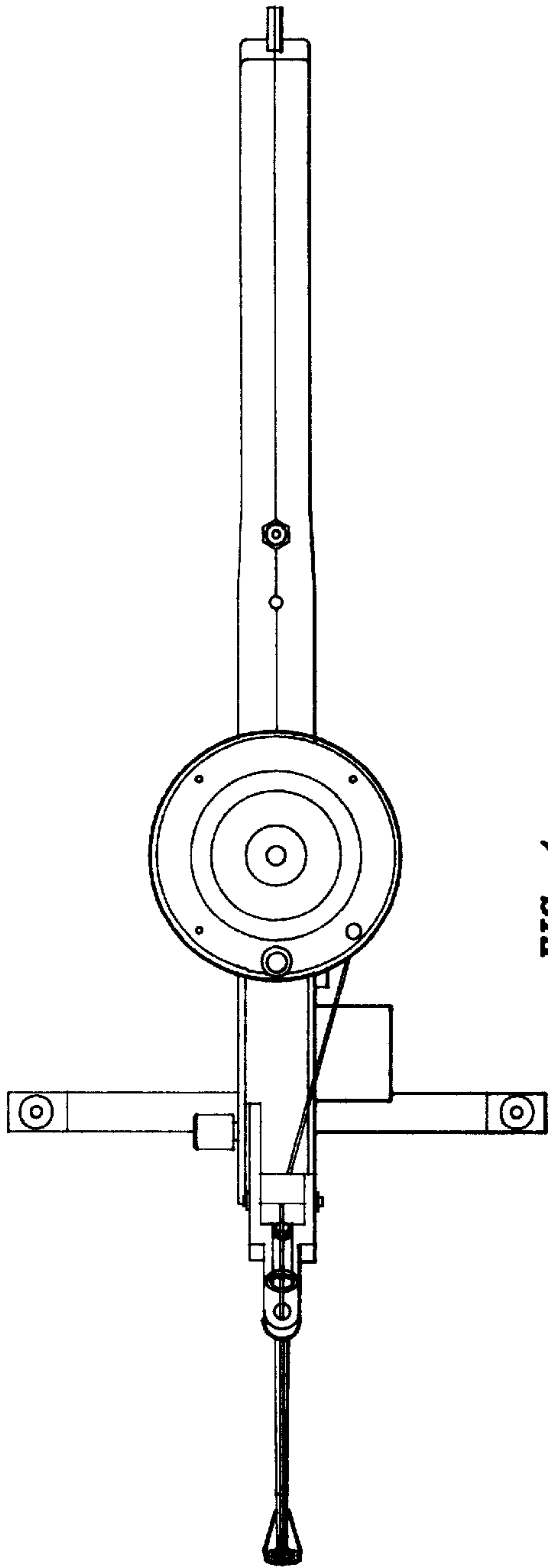
[56] **References Cited**

U.S. PATENT DOCUMENTS

D. 296,226 6/1988 LeBleu D22/137
3,530,611 9/1970 Britt 242/223

1 Claim, 3 Drawing Sheets





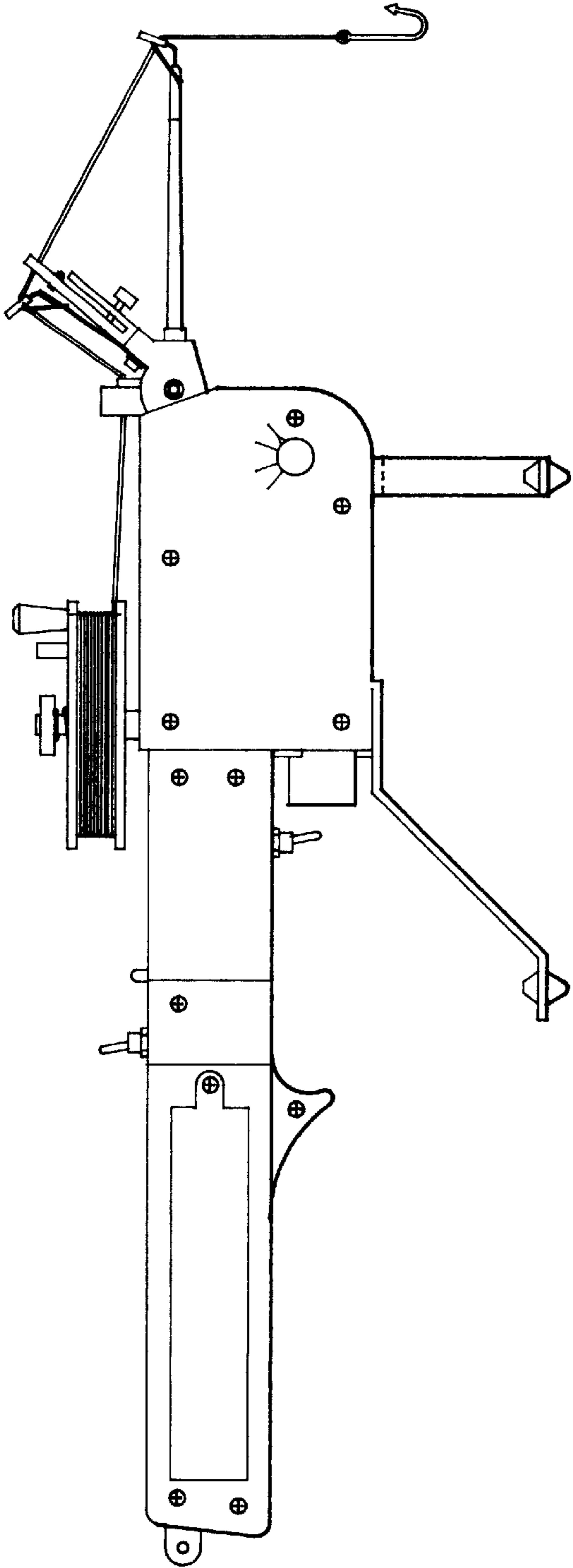


FIG. 3

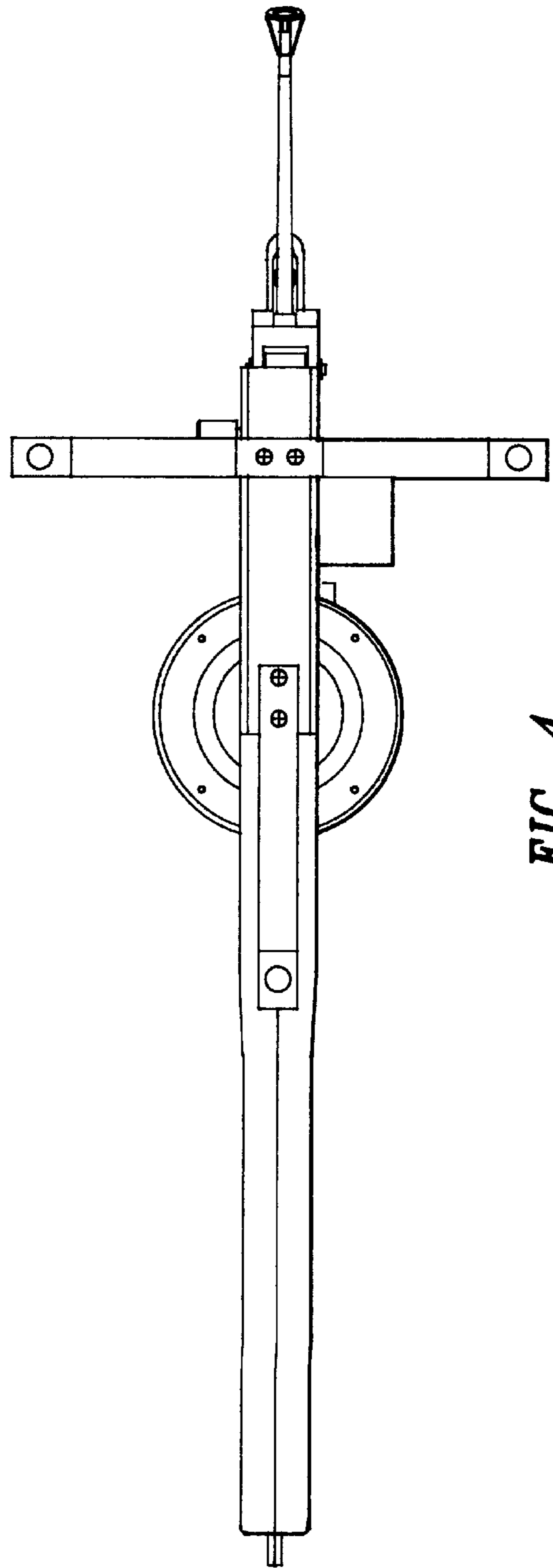


FIG. 4

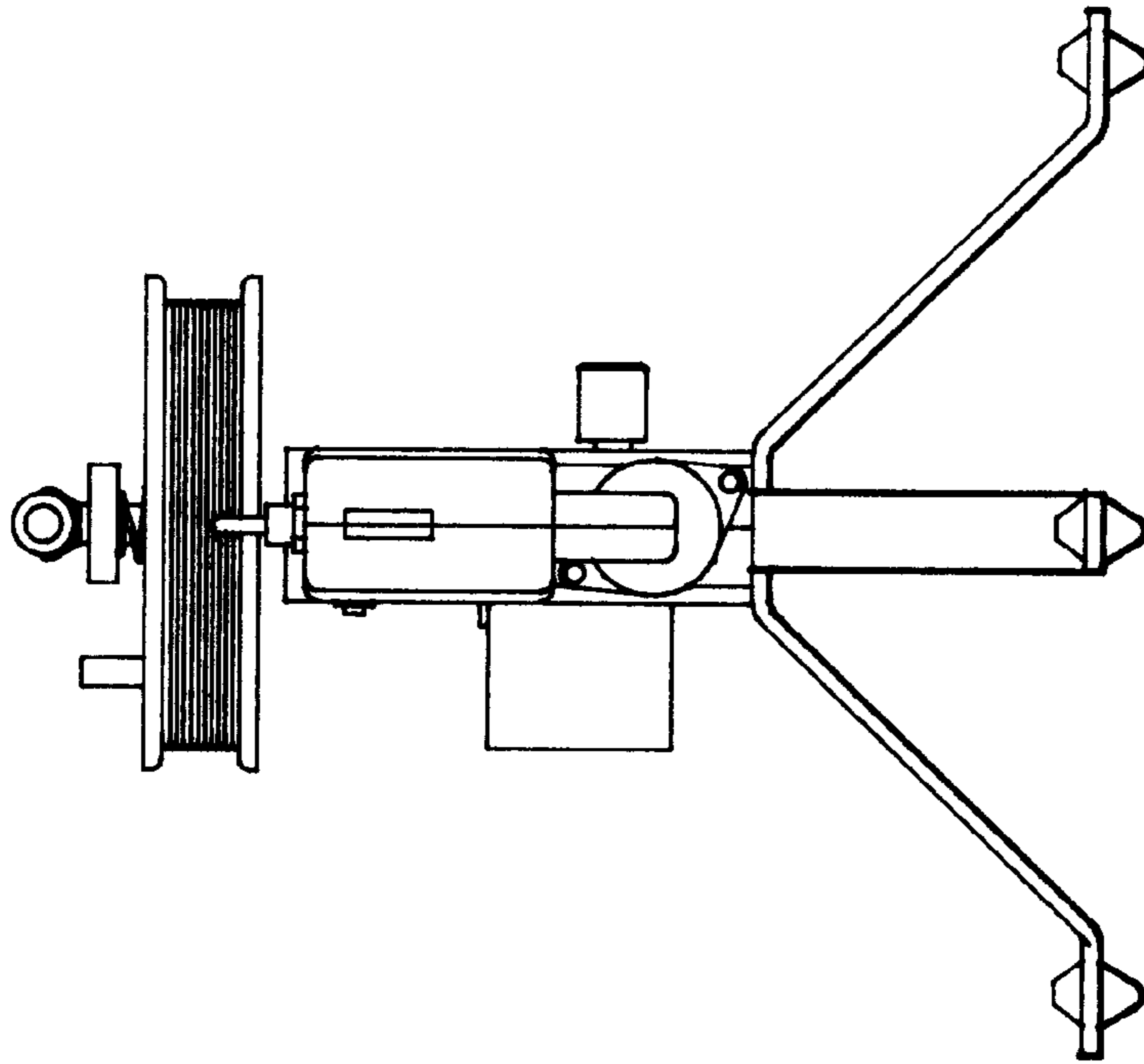


FIG. 5

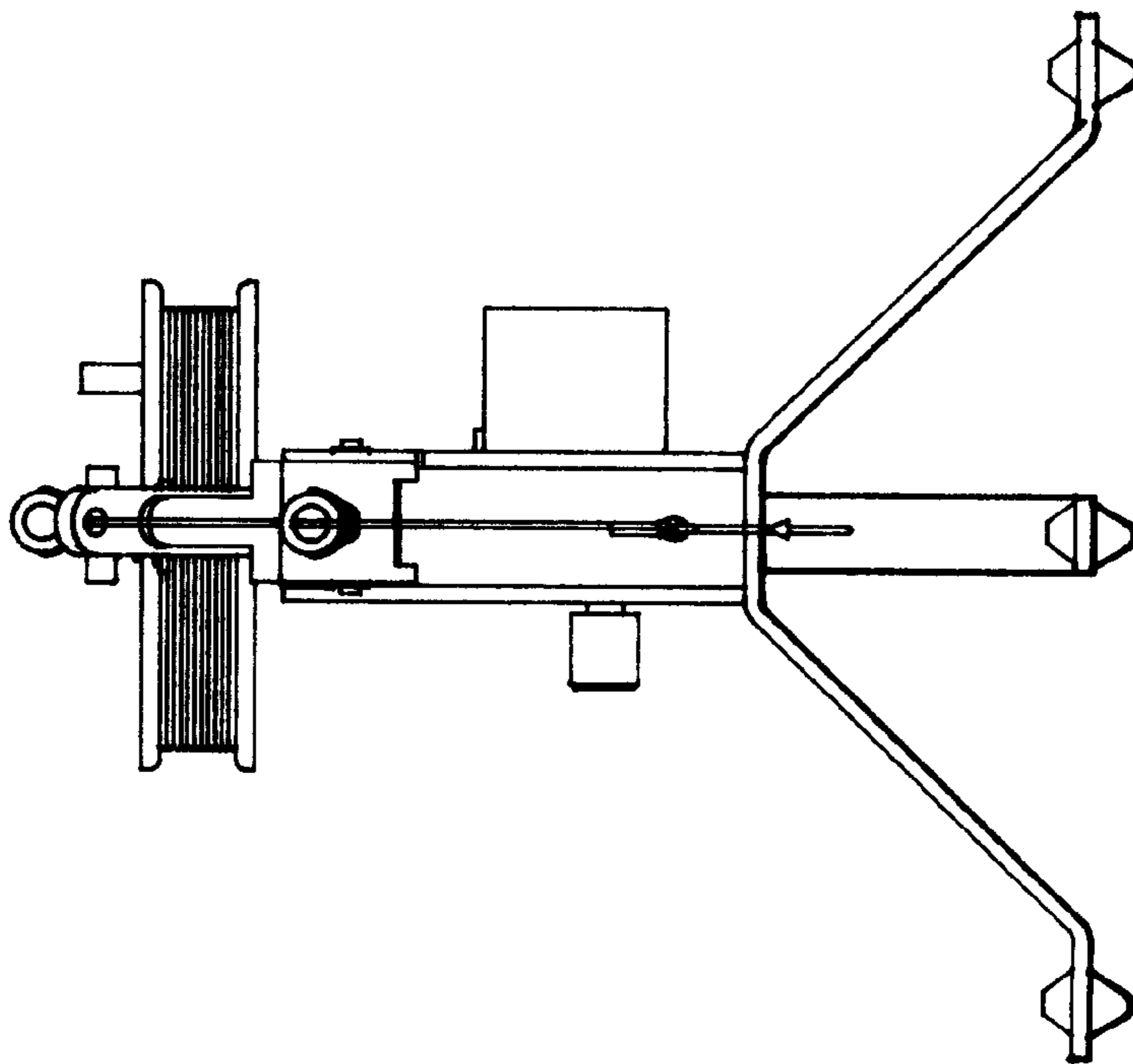


FIG. 6