



US00D432618S

United States Patent [19]
Wilson

[11] **Patent Number: Des. 432,618**

[45] **Date of Patent: ** Oct. 24, 2000**

[54] **HANDGUN REAR SIGHT**

[75] Inventor: **Billy J. Wilson**, Berryville, Ark.

[73] Assignee: **Wilson's Gun Shop, Inc.**, Berryville, Ark.

[**] Term: **14 Years**

[21] Appl. No.: **29/111,887**

[22] Filed: **Oct. 7, 1999**

[51] **LOC (7) Cl.** **22-01**

[52] **U.S. Cl.** **D22/109; D22/100; D22/108; D22/199**

[58] **Field of Search** **D22/100, 108, D22/109, 199; 33/241, 242, 243, 261; 42/100**

[56] **References Cited**

U.S. PATENT DOCUMENTS

D. 301,512	6/1989	Novak	D22/109
D. 305,146	12/1989	Novak	D22/109
D. 305,561	1/1990	Novak	D22/109
D. 351,449	10/1994	Dagley	D22/109
D. 403,734	1/1999	Kay	D22/109
6,035,539	3/2000	Hollenbach et al.	42/100 X

Primary Examiner—Louis S. Zarfaz

Assistant Examiner—Monica A. Weingart

Attorney, Agent, or Firm—Arthur G. Yeager

[57] **CLAIM**

The ornamental design for a handgun rear sight, as shown and described.

DESCRIPTION

FIG. 1 is a rear perspective view of a first embodiment of a handgun rear sight showing my new design on a handgun, the phantom lines of a handgun being no part of my design; FIG. 2 is a left side elevational view thereof;

FIG. 3 is a bottom plan view thereof;

FIG. 4 is a top plan view thereof;

FIG. 5 is a rear elevational view thereof;

FIG. 6 is a front elevational view thereof;

FIG. 7 is a rear perspective view of a second embodiment of a handgun rear sight showing my new design on a handgun, the phantom lines of a handgun being no part of my new design;

FIG. 8 is a left side elevational view thereof;

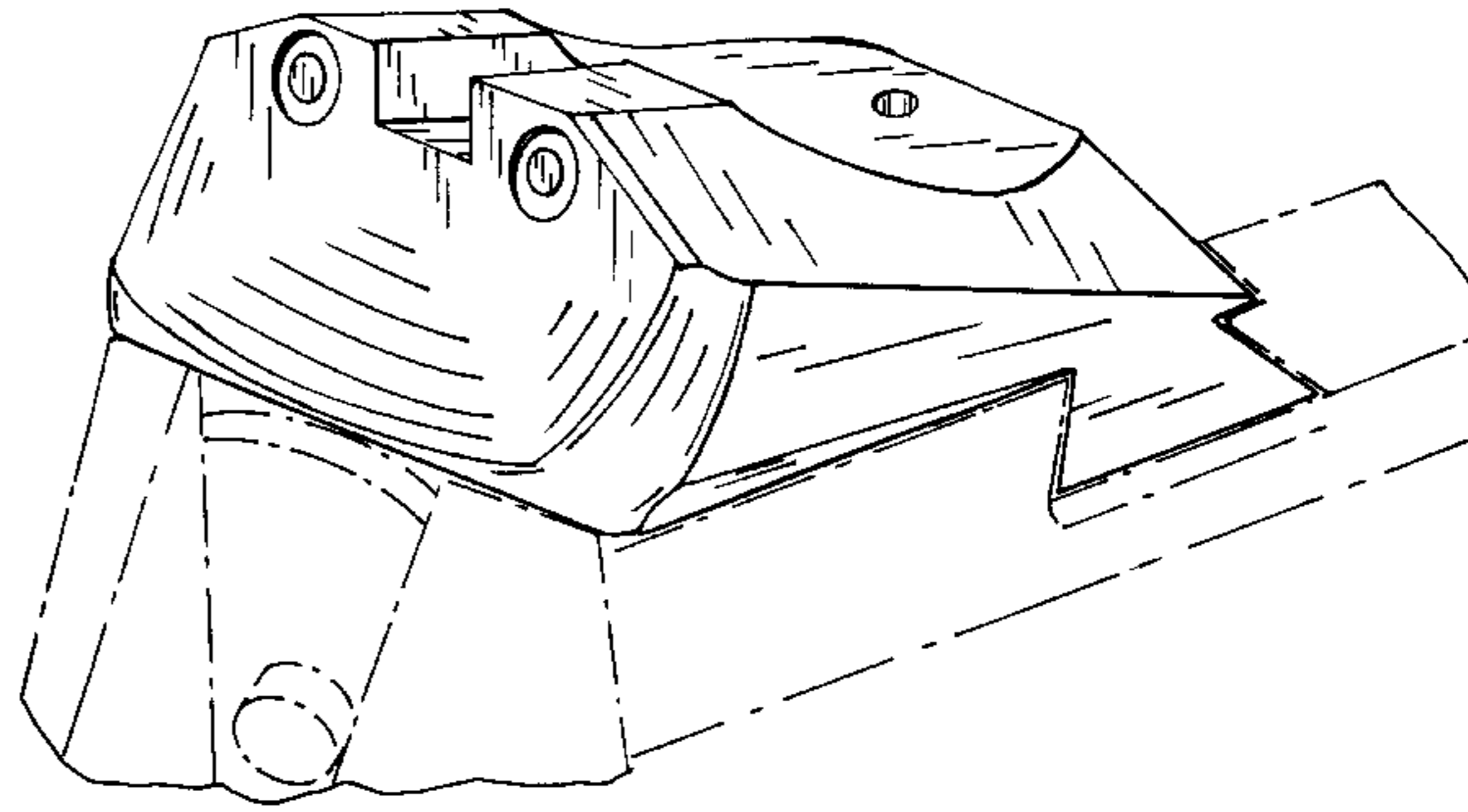
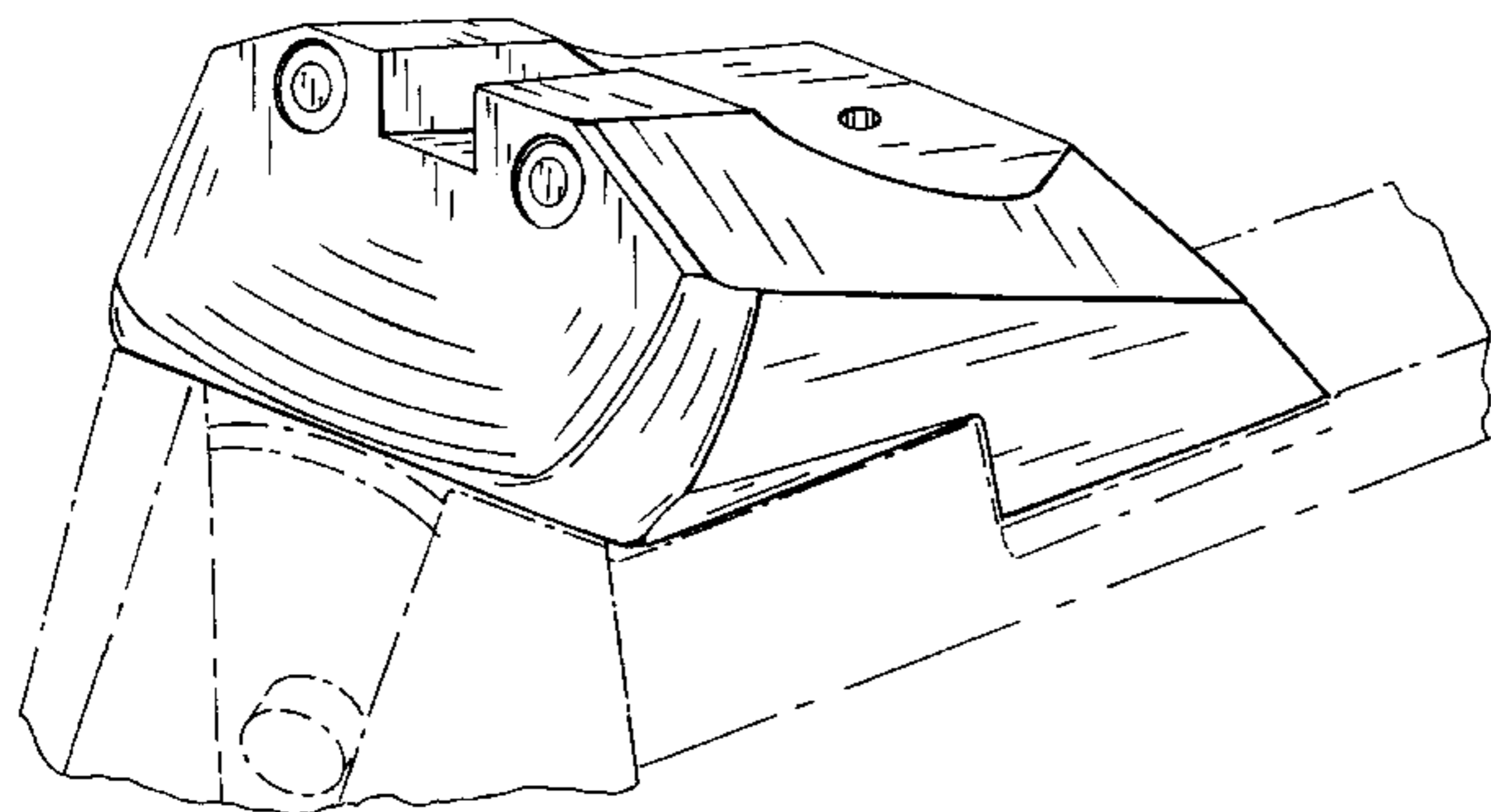
FIG. 9 is a bottom plan view thereof;

FIG. 10 is a top plan view thereof;

FIG. 11 is a rear elevational view thereof; and,

FIG. 12 is a front elevational view thereof.

1 Claim, 4 Drawing Sheets



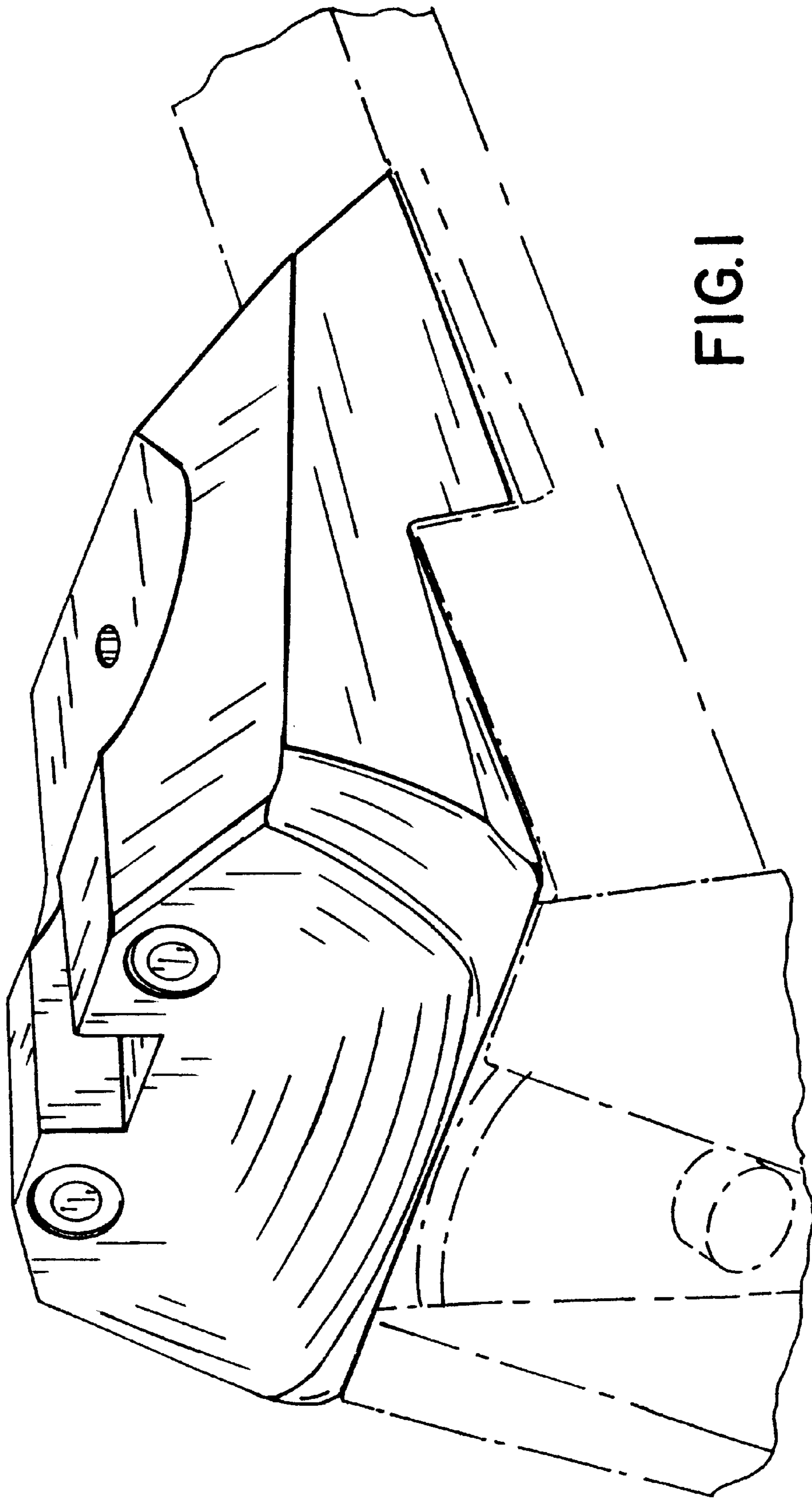


FIG. 1

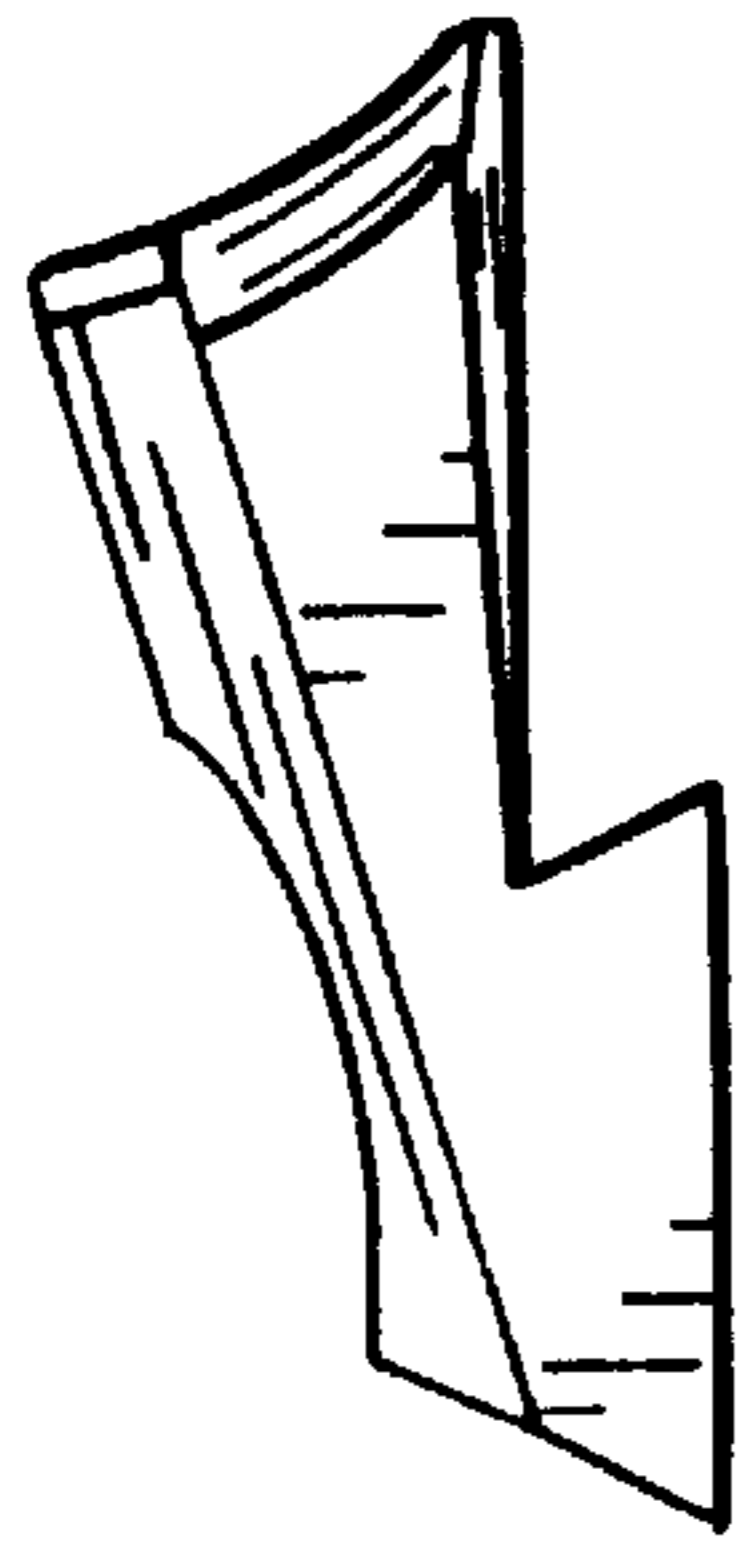


FIG. 2

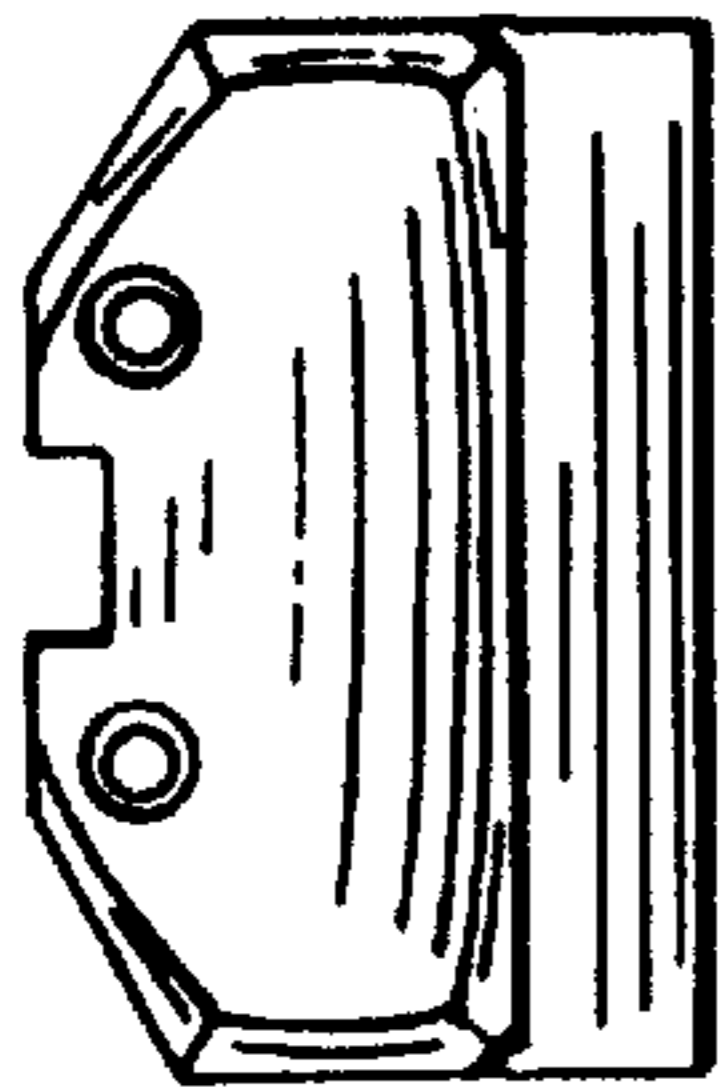


FIG. 5

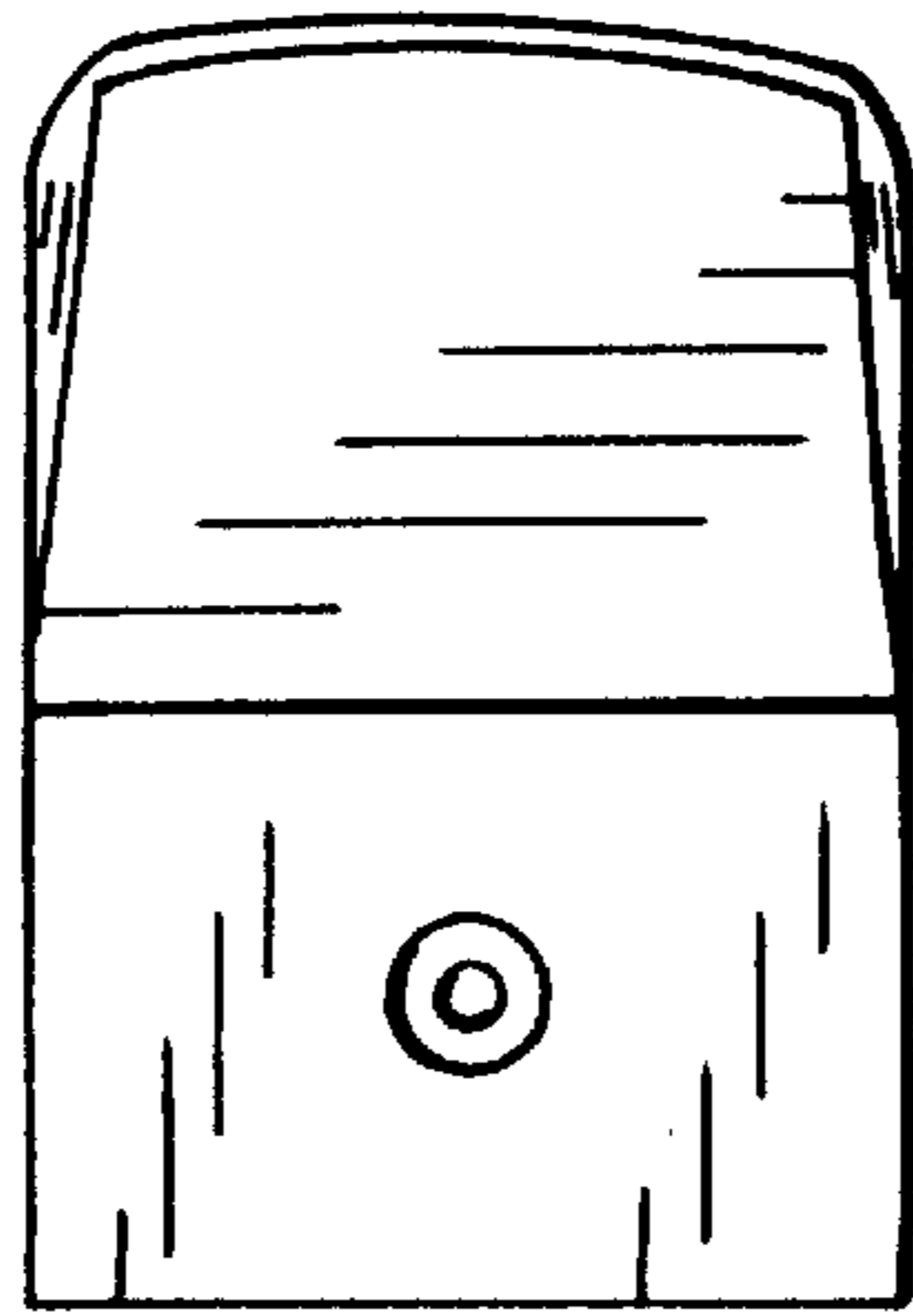


FIG. 3

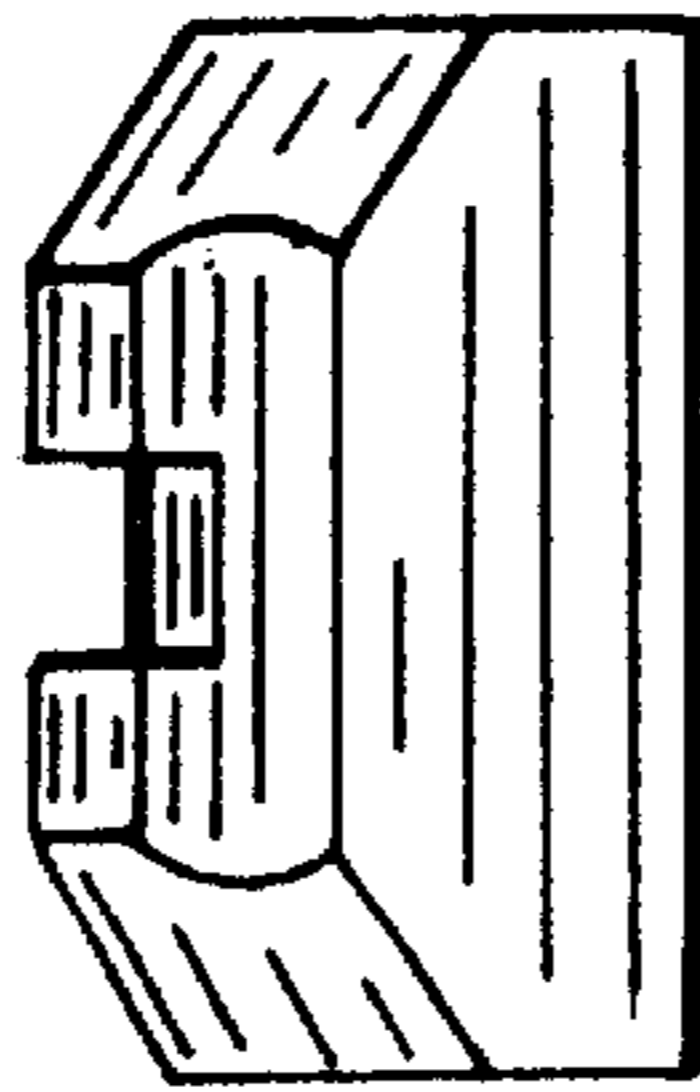


FIG. 6

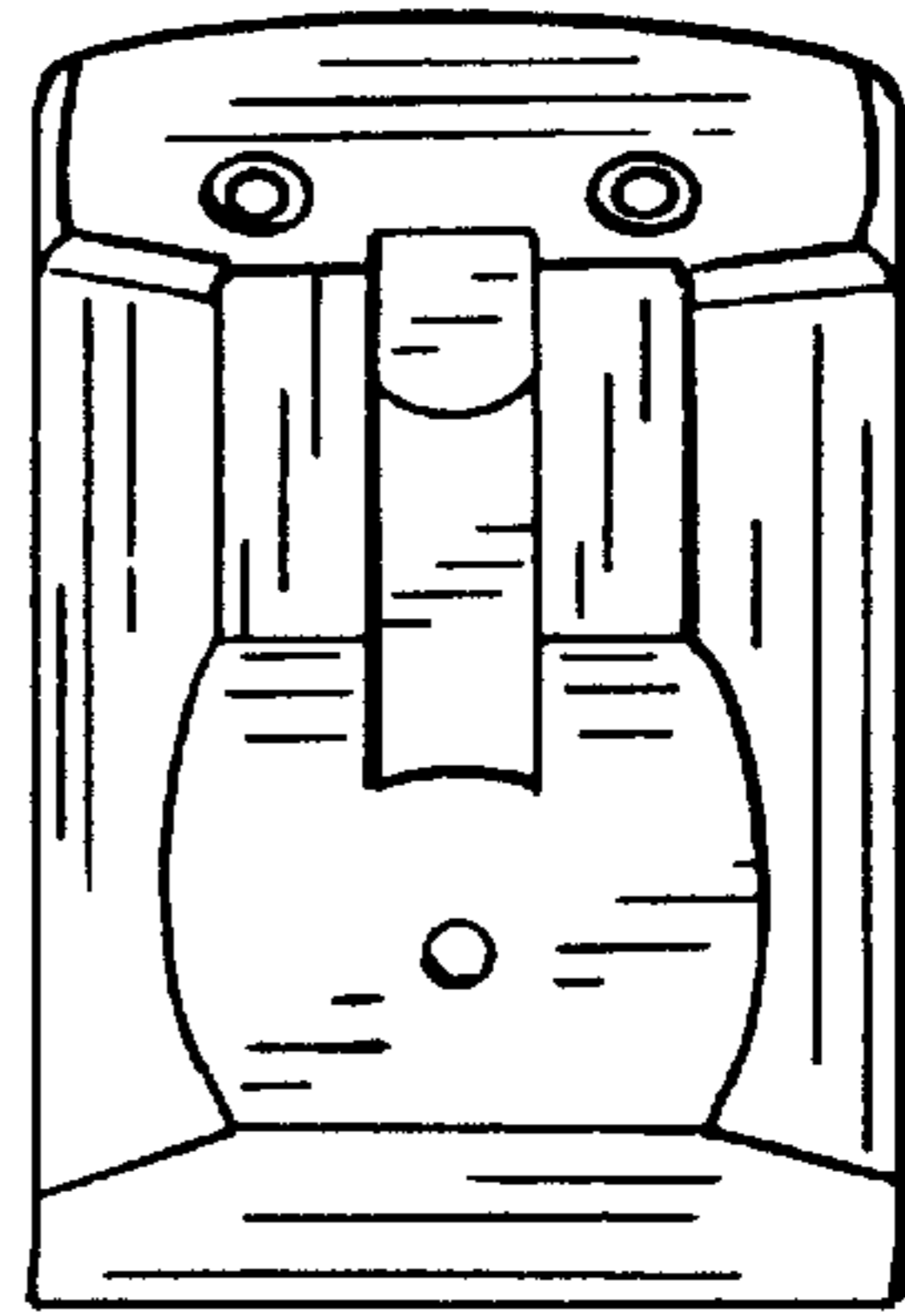


FIG. 4

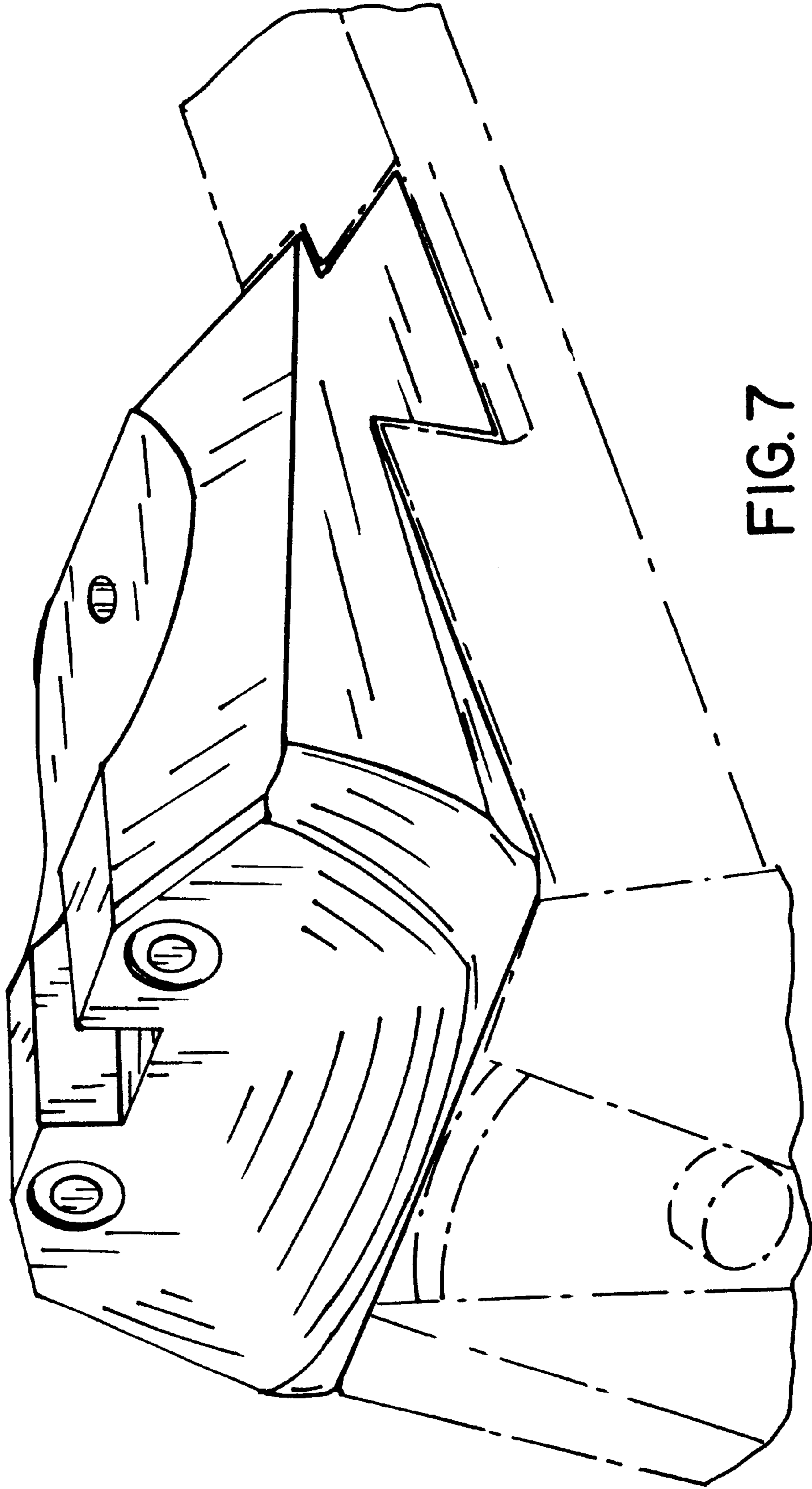


FIG. 7

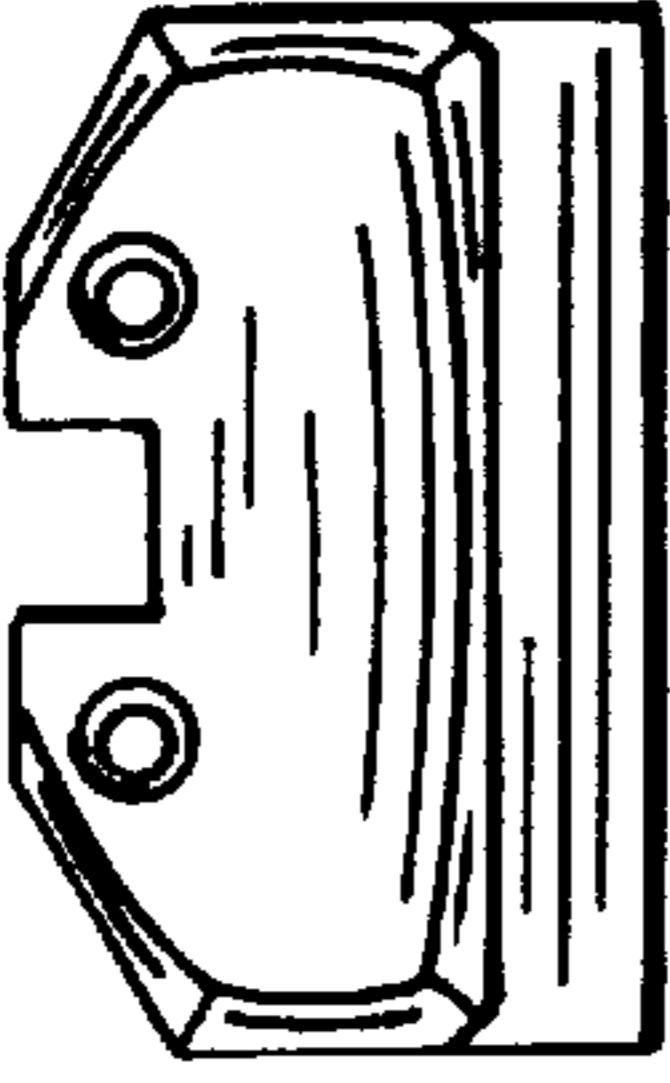


FIG. 11

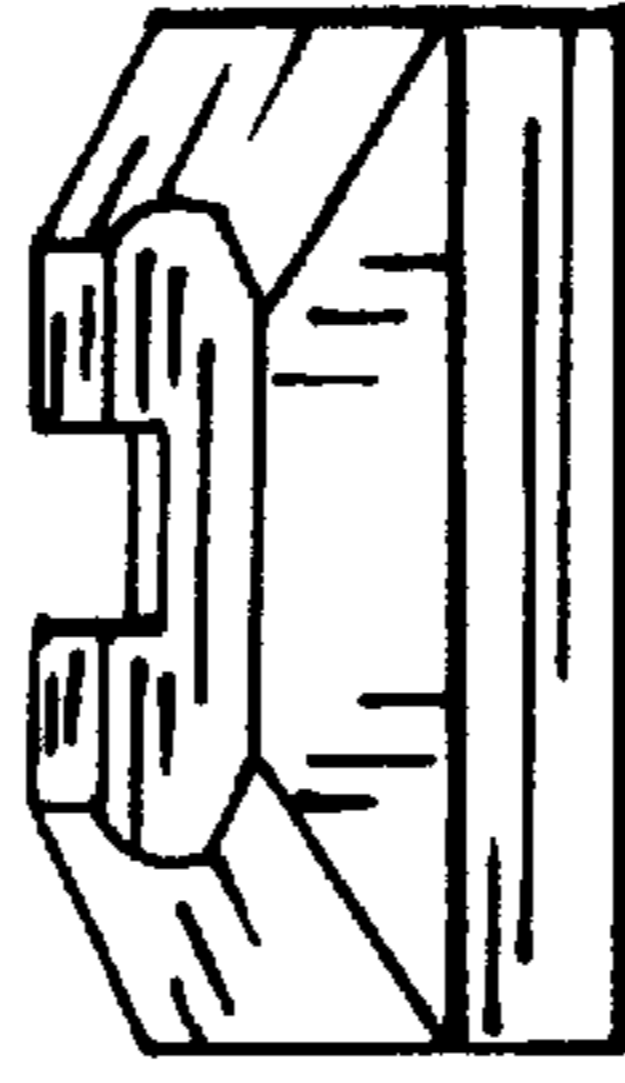


FIG. 12

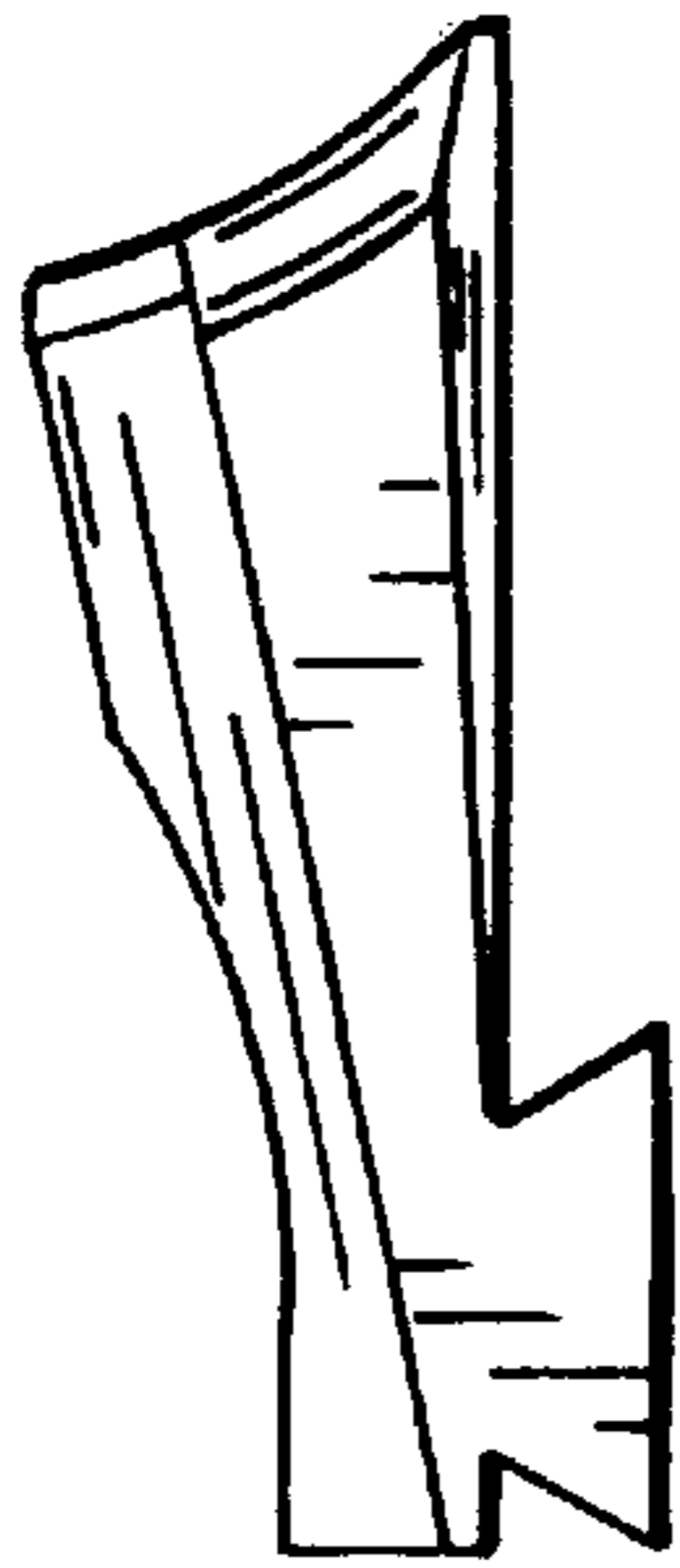


FIG. 8

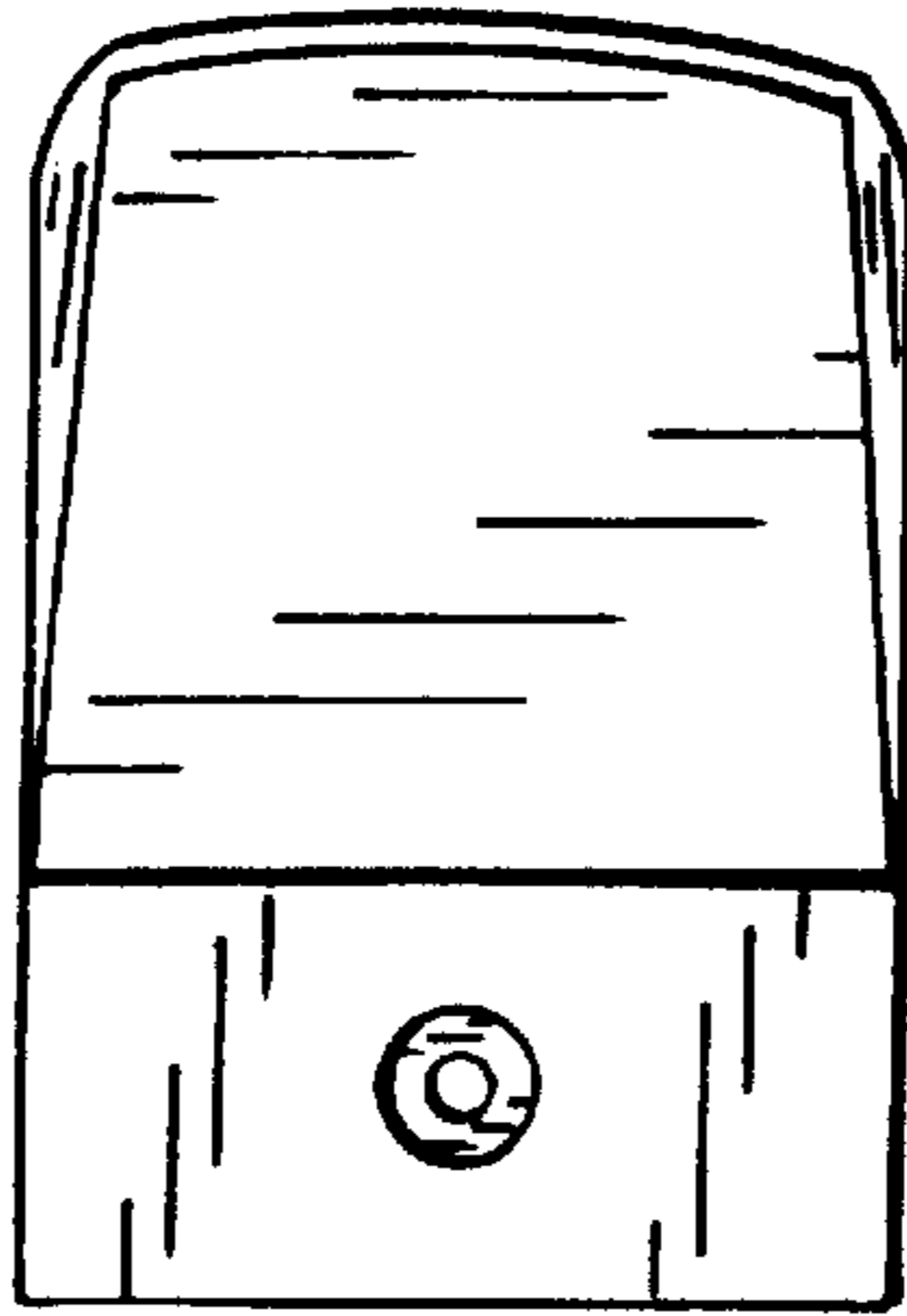


FIG. 9

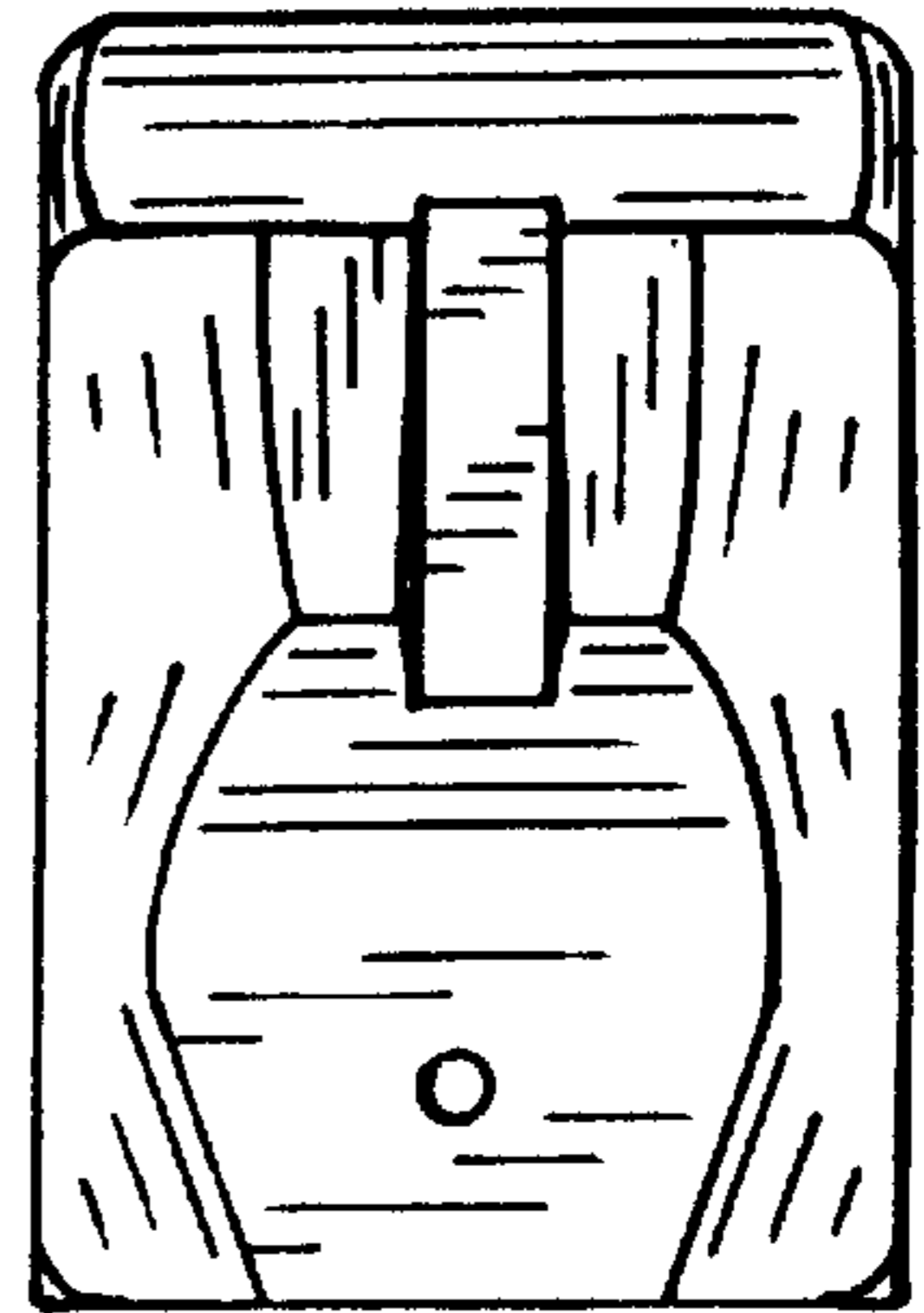


FIG. 10