



US00D432617S

# United States Patent [19]

Bechtel

[11] Patent Number: Des. 432,617

[45] Date of Patent: \*\* Oct. 24, 2000

[54] **BUBBLE DEVICE FOR ATTACHMENT TO A FIREARM FOR USE DURING SIGHTING TO INDICATE WHETHER THE FIREARM IS CANTED**

[76] Inventor: **Daniel L. Bechtel**, 4701 Inwood Rd., Fort Worth, Tex. 76109

[\*\*] Term: **14 Years**

[21] Appl. No.: **29/116,697**

[22] Filed: **Jan. 7, 2000**

[51] **LOC (7) Cl.** ..... **22-01**

[52] **U.S. Cl.** ..... **D22/108; D22/199; D22/100**

[58] **Field of Search** ..... **D22/100, 108, D22/199; 42/1.01; D10/69; 33/348.2, 379**

[56] **References Cited**

**U.S. PATENT DOCUMENTS**

D. 168,400	12/1952	Harris	.....	D10/69
D. 168,401	12/1952	Harris	.....	D10/69
D. 308,810	6/1990	Murawski	.....	D10/69
D. 363,033	10/1995	Doucet	.....	D10/69
D. 415,436	10/1999	Martone	.....	D10/69
5,738,595	4/1998	Carney	.....	33/379

*Primary Examiner*—Louis S. Zarfaz  
*Assistant Examiner*—Monica A. Weingart  
*Attorney, Agent, or Firm*—Charles W. McHugh

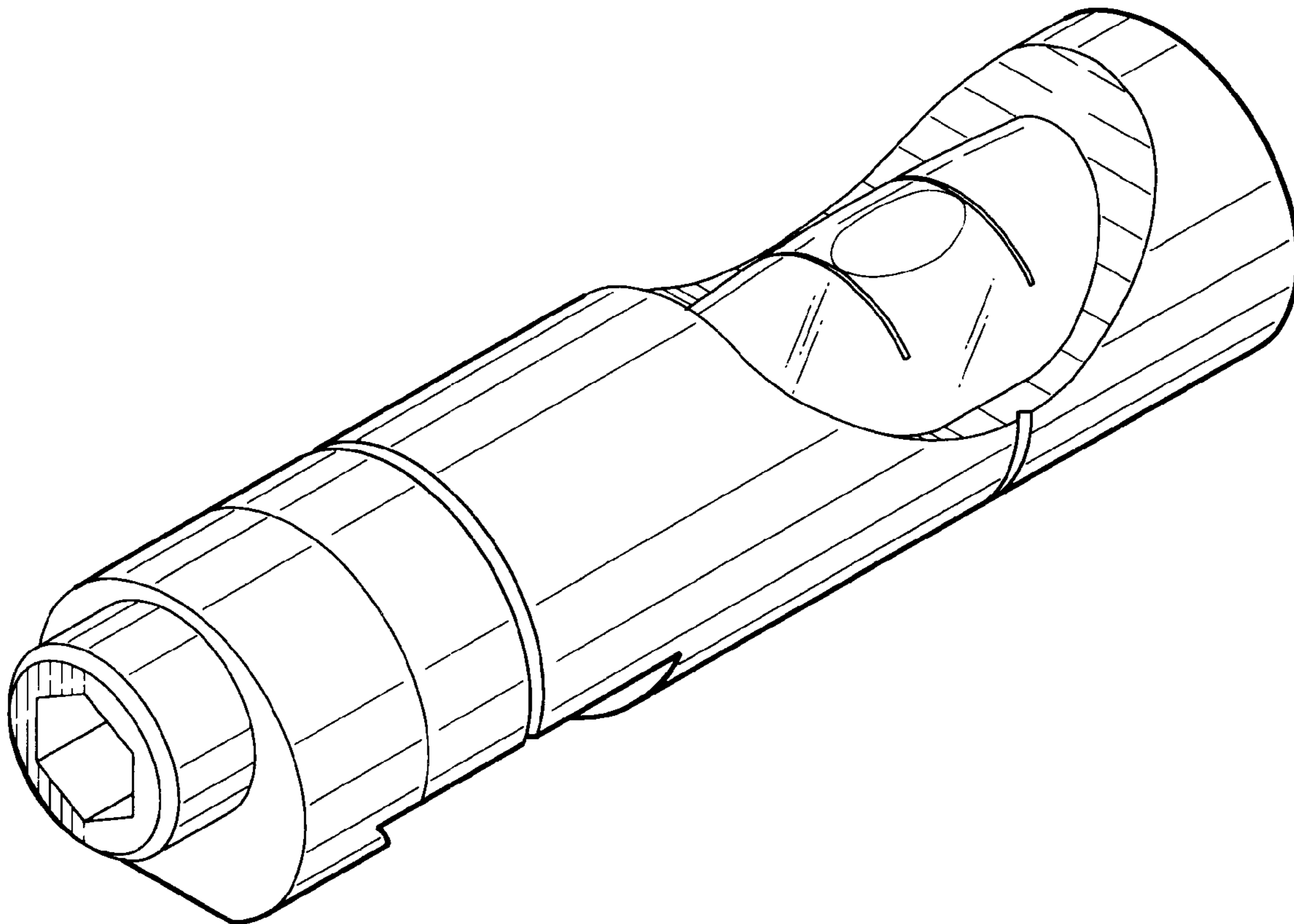
[57] **CLAIM**

The ornamental design for a bubble device for attachment to a firearm for use during sighting to indicate whether the firearm is canted, as shown and described.

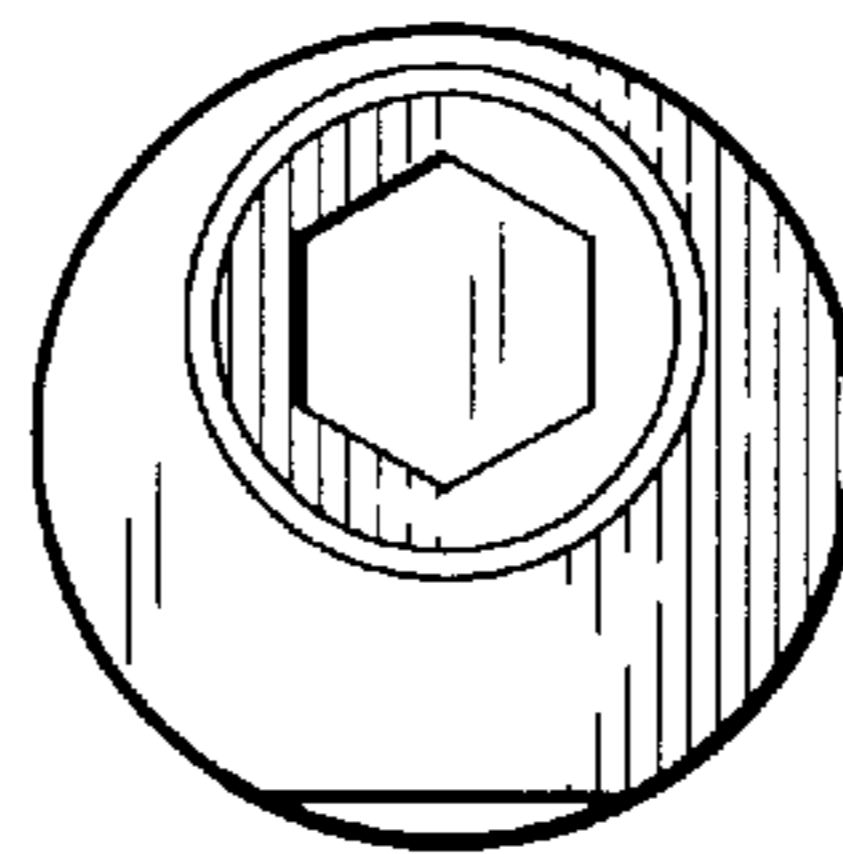
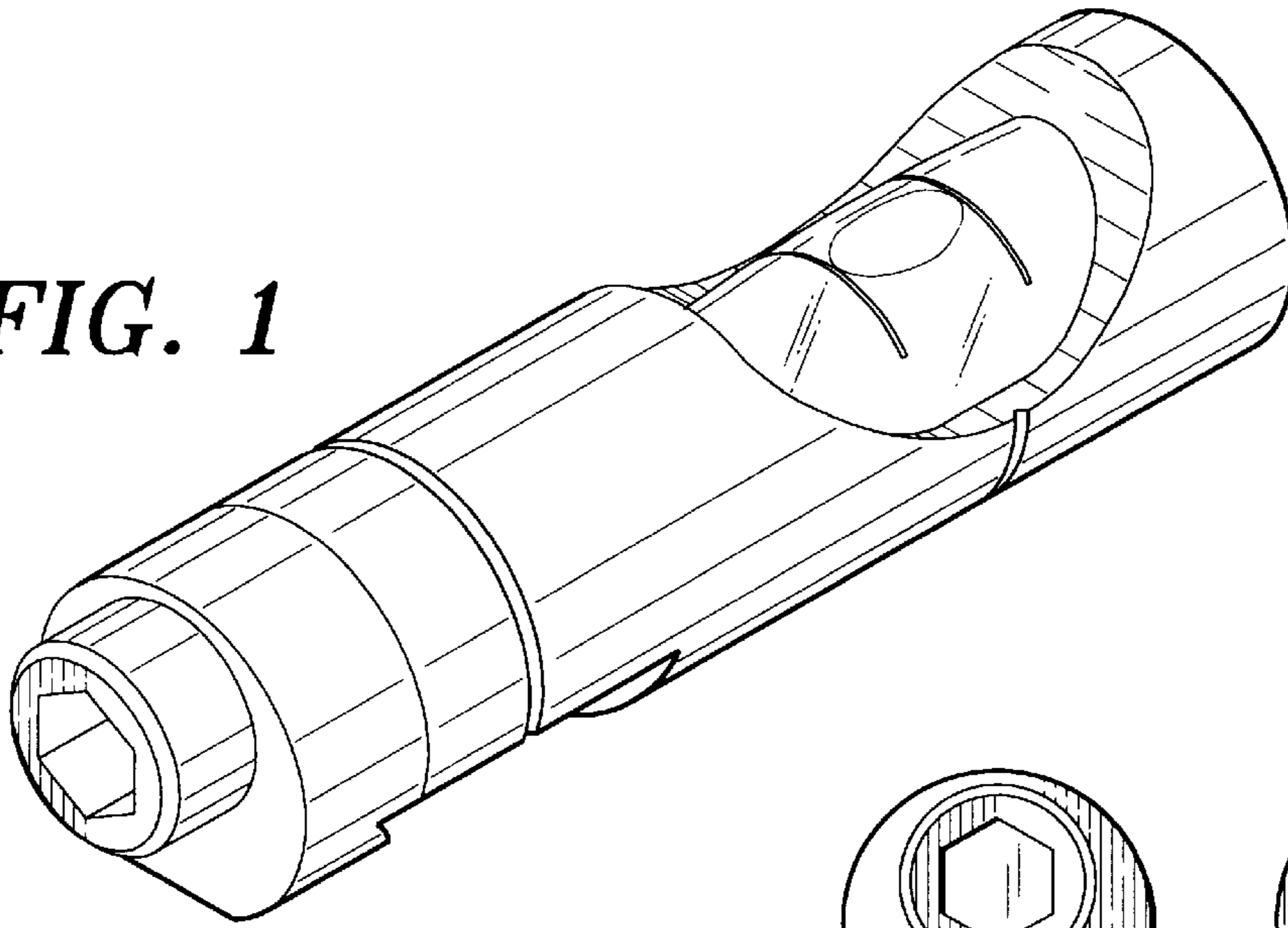
**DESCRIPTION**

FIG. 1 is a perspective view of a first embodiment of a “bubble device for attachment to a firearm for use during sighting to indicate whether the firearm is canted,” showing my new design;  
FIG. 2 is a right side elevational view thereof;  
FIG. 3 is a left side elevational view thereof;  
FIG. 4 is a top plan view thereof;  
FIG. 5 is a front elevational view thereof, with the rear elevational view being a mirror image thereof;  
FIG. 6 is a bottom plan view thereof;  
FIG. 7 is a perspective view of a second embodiment thereof;  
FIG. 8 is a right side elevational view of the second embodiment;  
FIG. 9 is a left side elevational view of the second embodiment;  
FIG. 10 is a top plan view of the second embodiment;  
FIG. 11 is a front elevational view of the second embodiment, with the rear elevational view being a mirror image thereof; and,  
FIG. 12 is a bottom plan view of the second embodiment thereof.

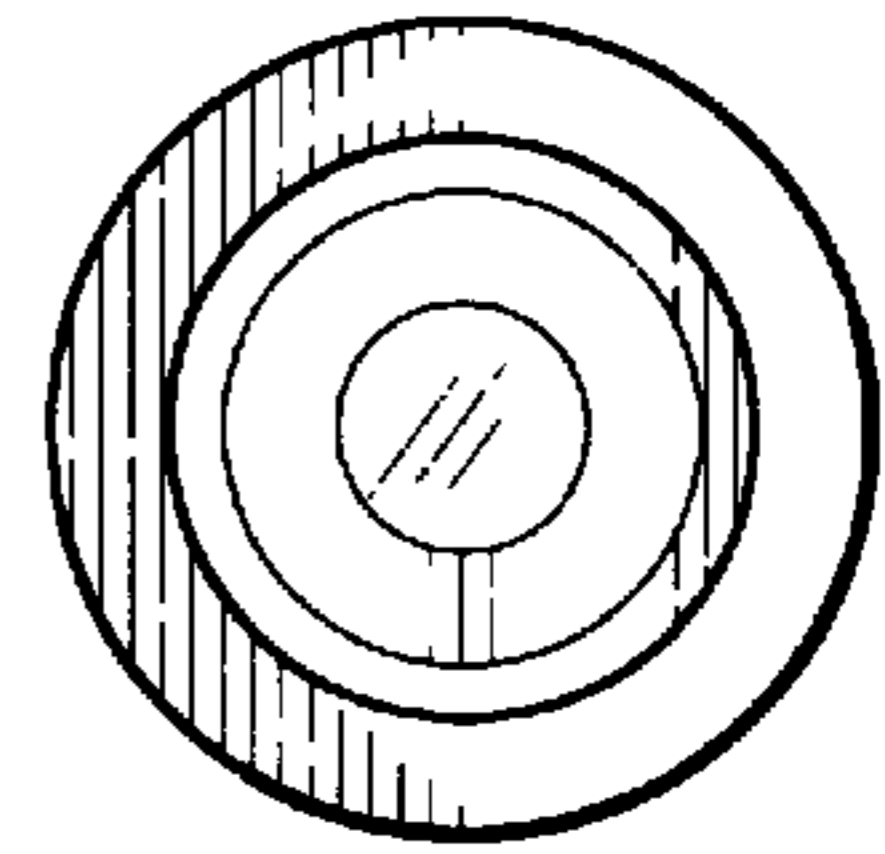
**1 Claim, 2 Drawing Sheets**



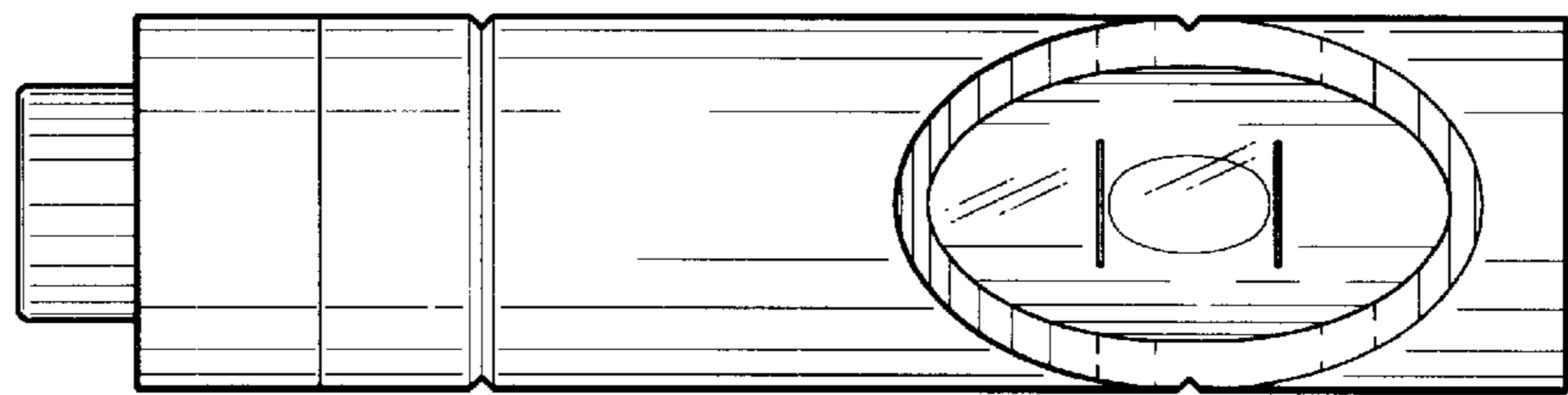
*FIG. 1*



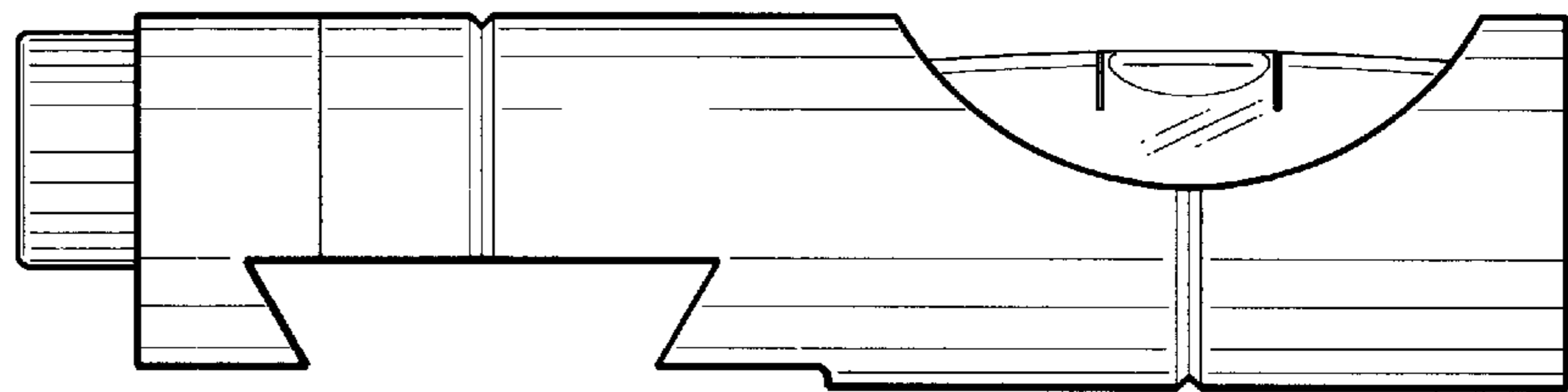
*FIG. 2*



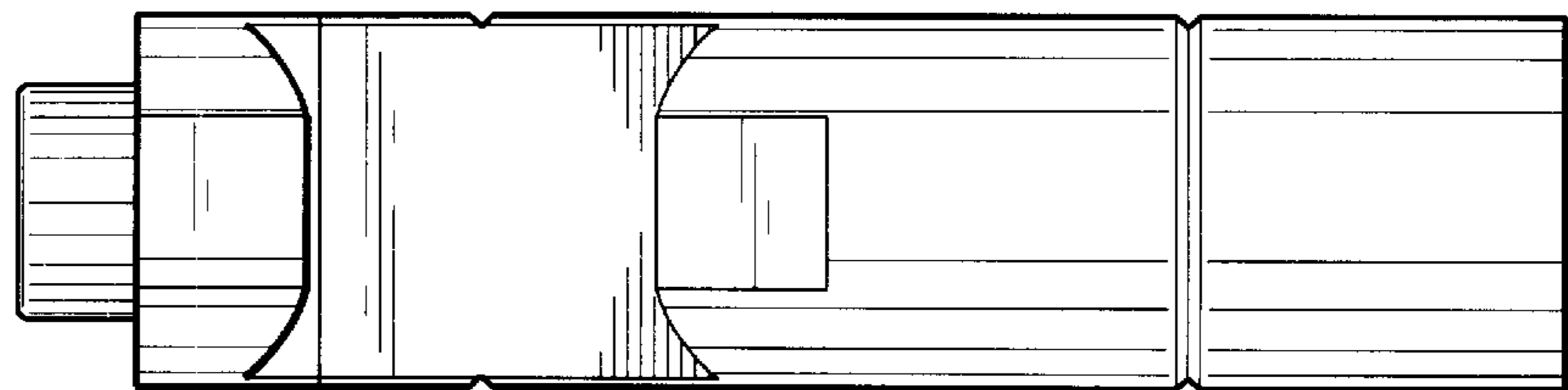
*FIG. 3*



*FIG. 4*



*FIG. 5*



*FIG. 6*

