



US00D432614S

United States Patent [19]

Peterson

[11] Patent Number: **Des. 432,614**

[45] Date of Patent: **** Oct. 24, 2000**

[54] **INFLATABLE TOWABLE VEHICLE**

5,167,554 12/1992 Tager et al. 441/131
6,012,778 1/2000 Peterson 297/452.41

[75] Inventor: **LeRoy L. Peterson**, Omaha, Nebr.

Primary Examiner—Kay H. Chin
Attorney, Agent, or Firm—Henderson & Sturm LLP

[73] Assignee: **Sportsstuff, Inc.**, Omaha, Nebr.

[**] Term: **14 Years**

[57] **CLAIM**

[21] Appl. No.: **29/117,687**

The ornamental design for an inflatable towable vehicle, as shown and described.

[22] Filed: **Jan. 27, 2000**

DESCRIPTION

[51] **LOC (7) Cl.** **21-06**

[52] **U.S. Cl.** **D21/803; D12/316**

[58] **Field of Search** D21/801–803,
D21/808, 809; 441/40, 80, 129–132; 297/452.41;
D12/316

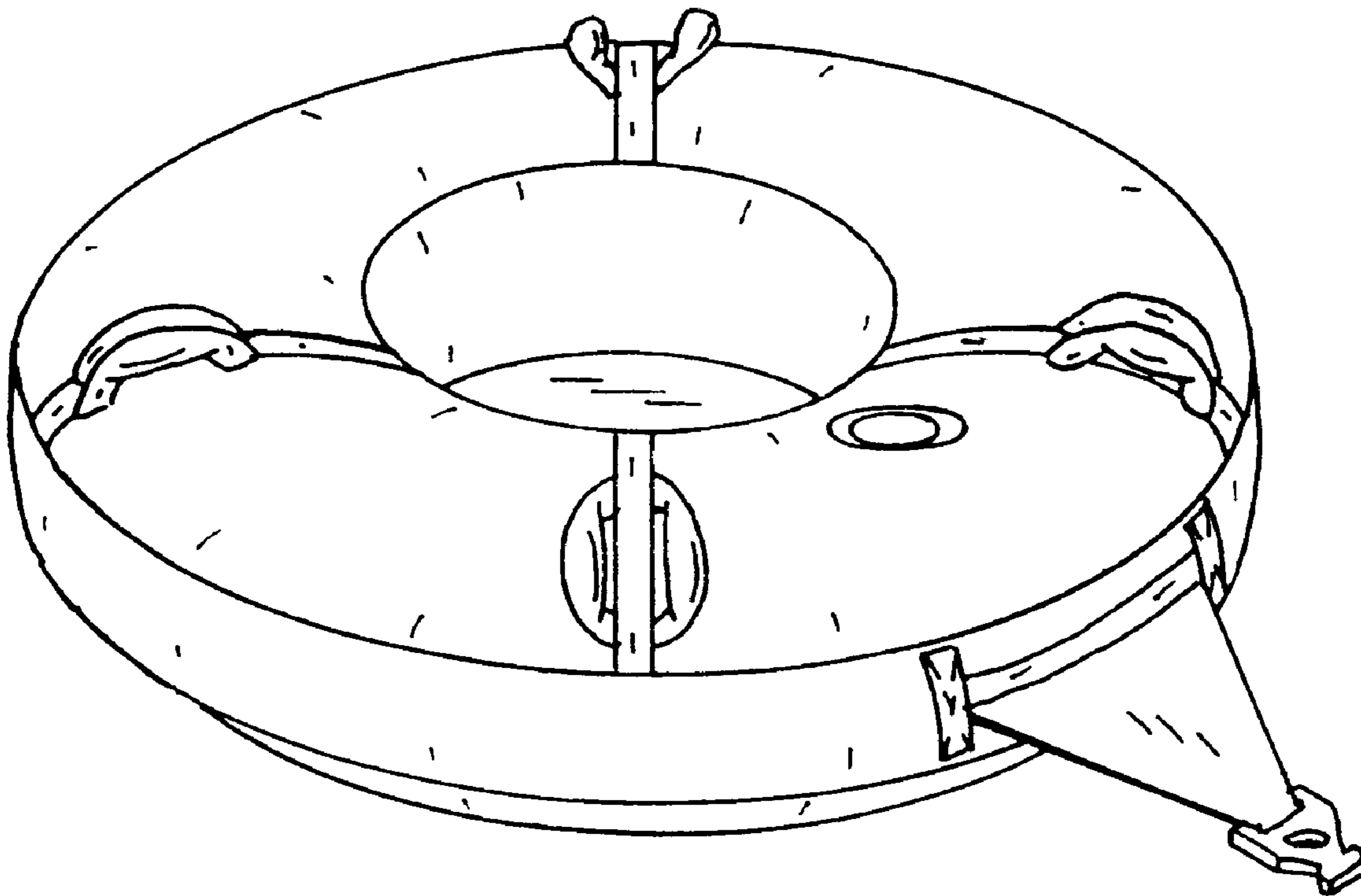
FIG. 1 is a perspective view of the inflatable towable vehicle showing my new design;
FIG. 2 is a top plan view thereof;
FIG. 3 is a front elevational view thereof;
FIG. 4 is a bottom plan view thereof;
FIG. 5 is a rear elevational view thereof;
FIG. 6 is a left side elevational view thereof; and,
FIG. 7 is a right side elevational view thereof.

[56] References Cited

U.S. PATENT DOCUMENTS

- D. 393,038 3/1998 Peterson D21/803
- D. 393,680 4/1998 Peterson D21/803

1 Claim, 2 Drawing Sheets



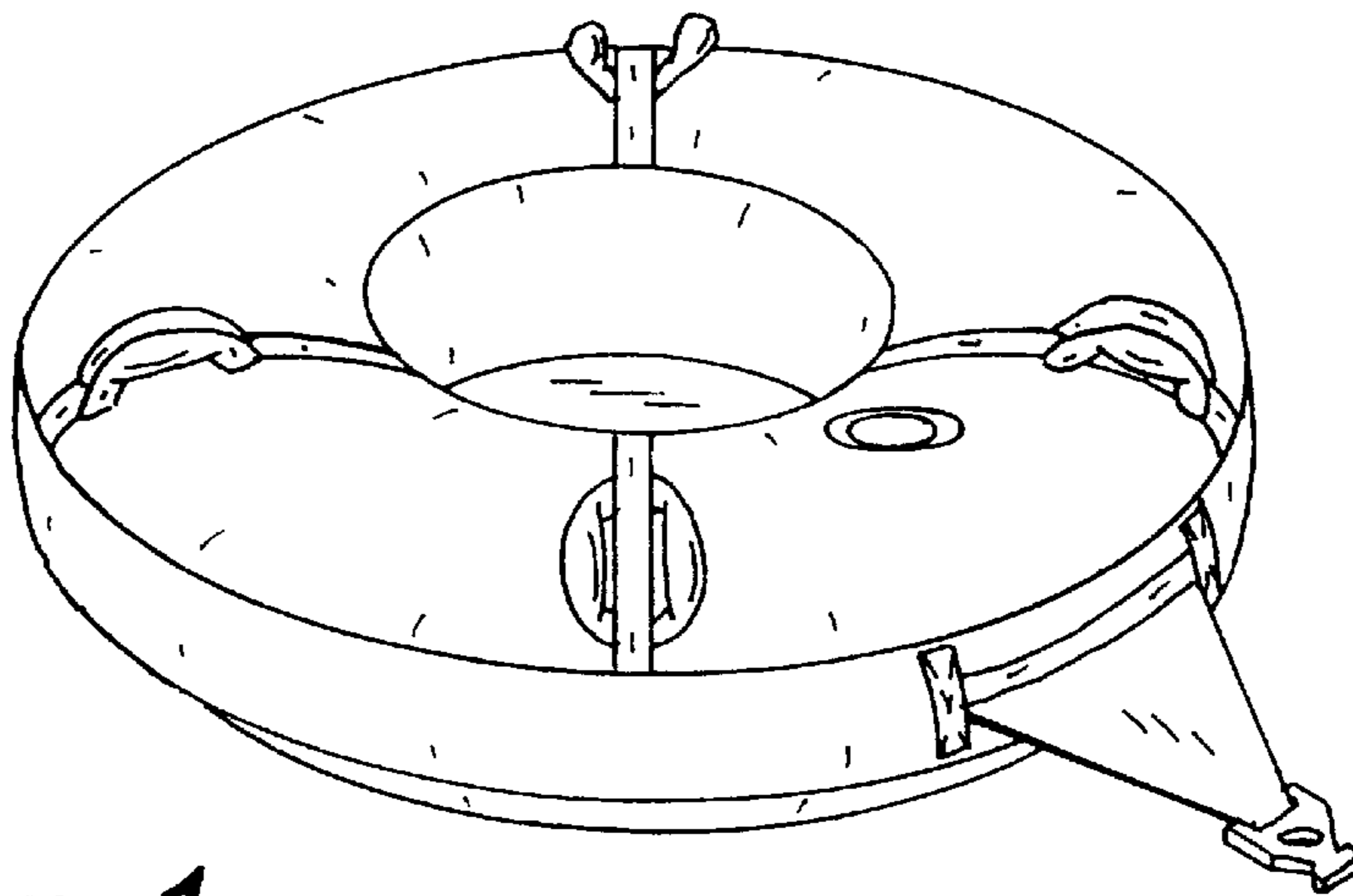


Fig. 1

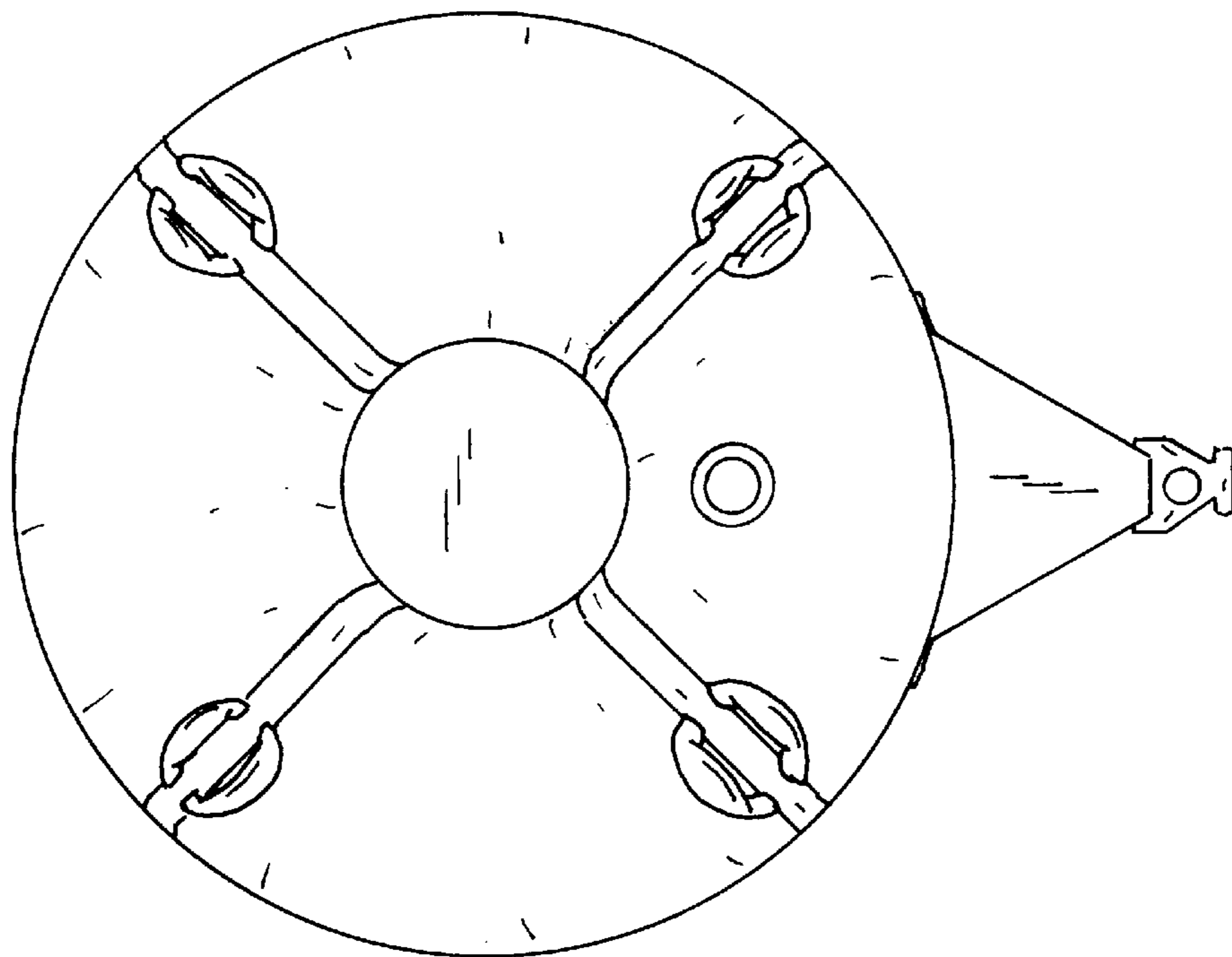


Fig. 2

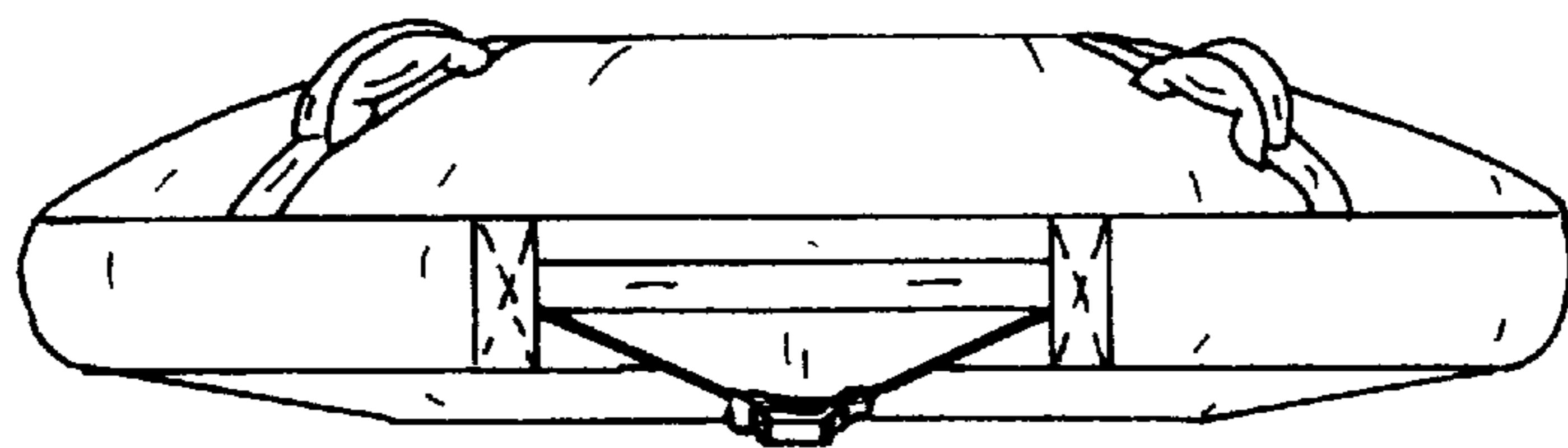


Fig. 3

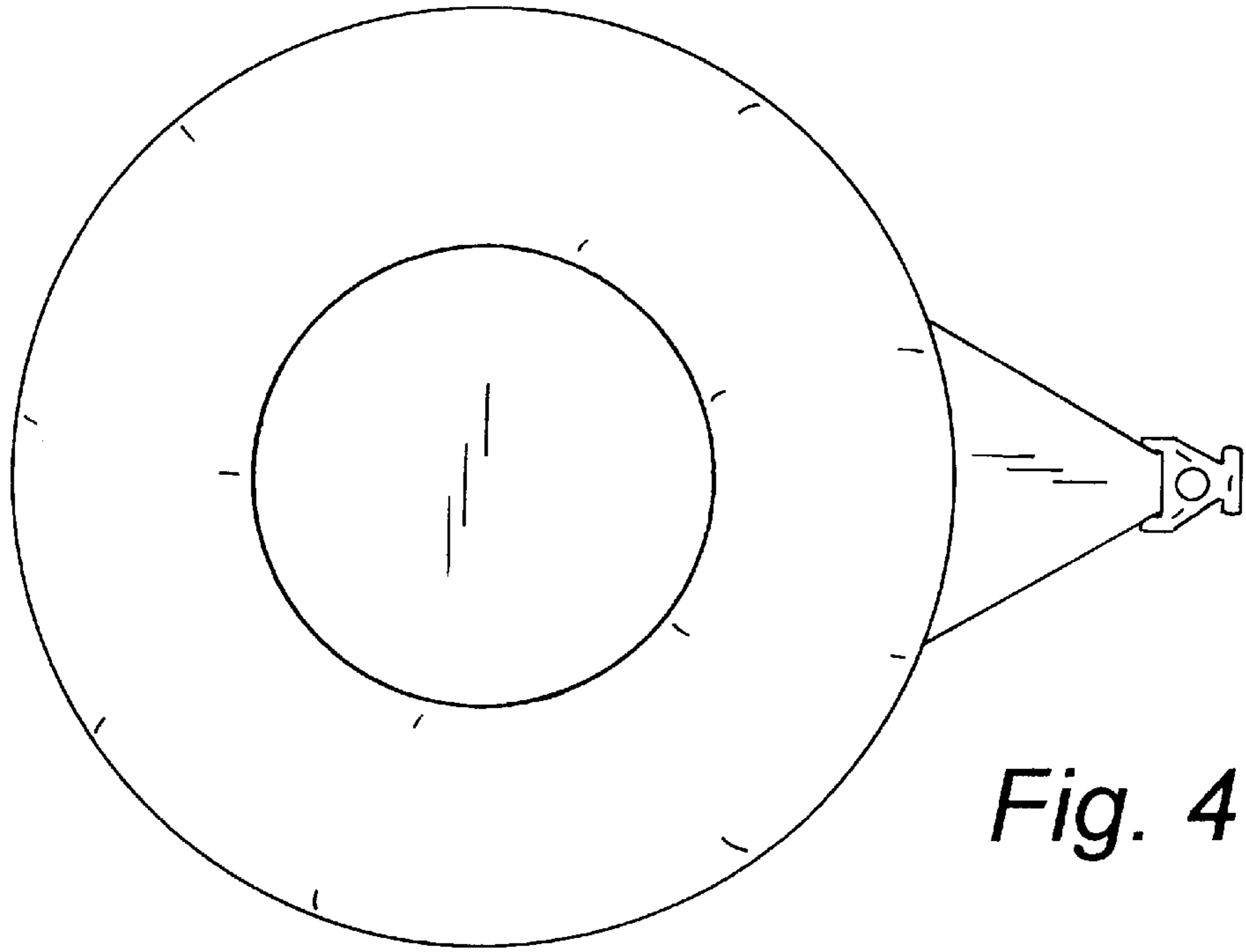


Fig. 4

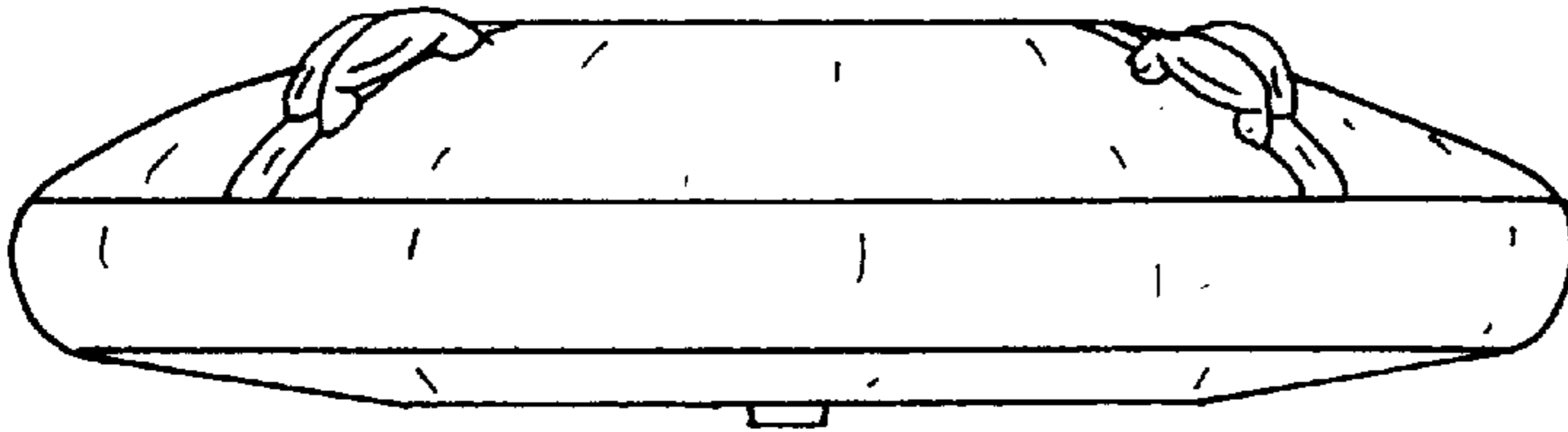


Fig. 5

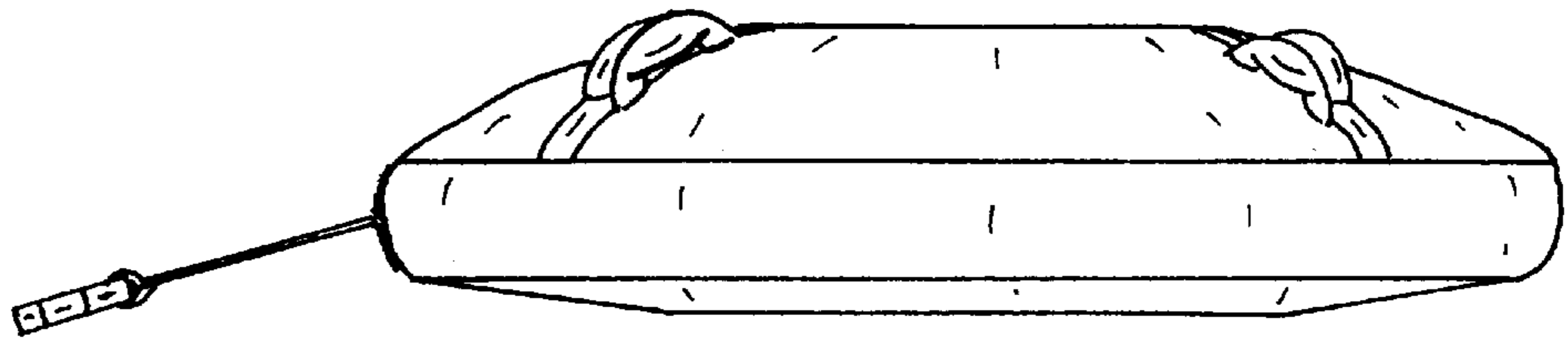


Fig. 6

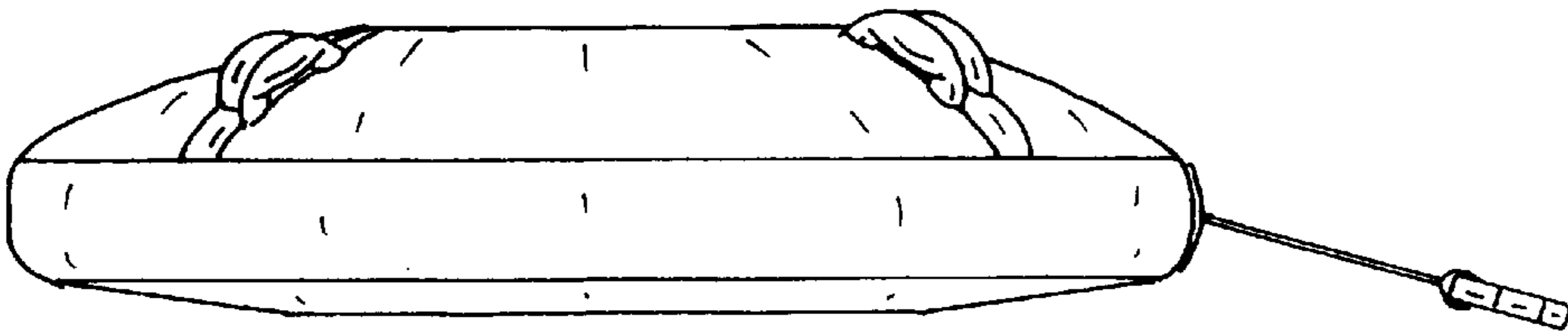


Fig. 7