



US00D432610S

United States Patent [19]
Barila

[11] **Patent Number: Des. 432,610**

[45] **Date of Patent: ** Oct. 24, 2000**

[54] **HOCKEY STICK**

[76] Inventor: **Carlos E. Barila**, 221 Barnard Ave.,
Venice, Calif. 90291

[**] Term: **14 Years**

[21] Appl. No.: **29/113,780**

[22] Filed: **Nov. 10, 1999**

[51] **LOC (7) Cl.** **21-02**

[52] **U.S. Cl.** **D21/756; D21/727**

[58] **Field of Search** **D21/727, 756,**
D21/757; 473/560-563

[56] **References Cited**

U.S. PATENT DOCUMENTS

- Re. 21,439 4/1940 Link D21/756 X
- D. 357,960 5/1995 Chen D21/727
- D. 421,782 3/2000 Ryu D21/727

Primary Examiner—Mitchell Siegel
Attorney, Agent, or Firm—Cislo & Thomas LLP

[57] **CLAIM**

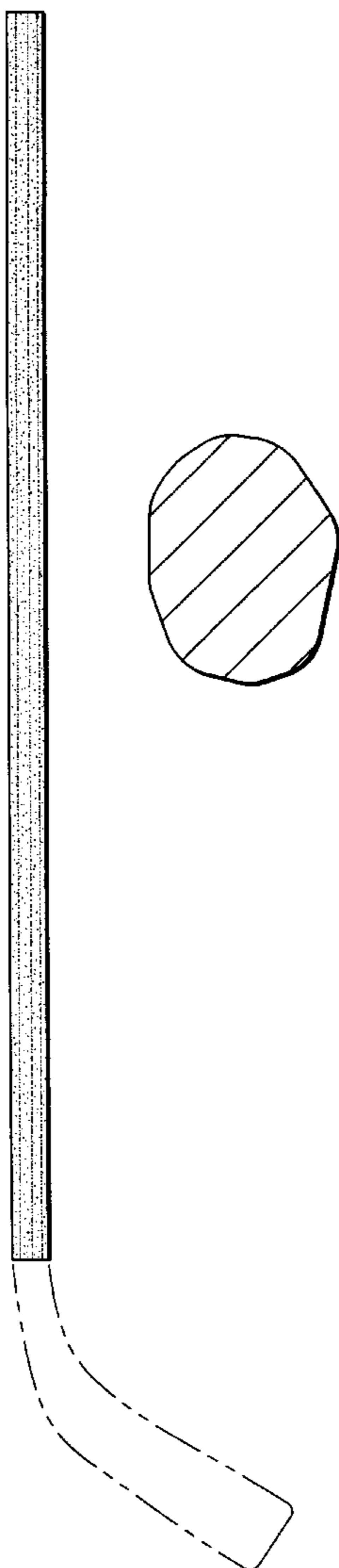
The ornamental design for a hockey stick, as shown and described.

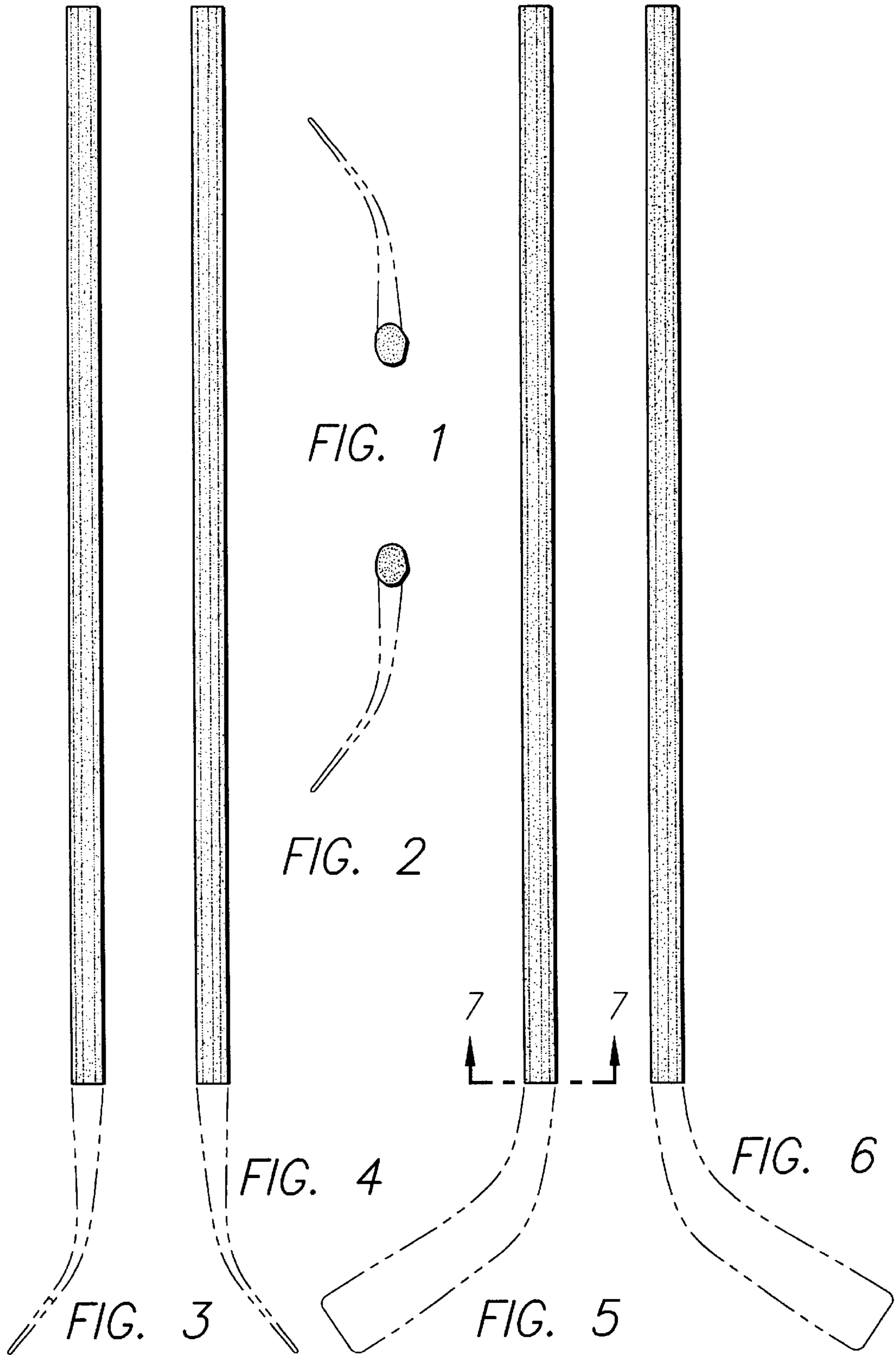
DESCRIPTION

FIG. 1. Is a top view of my hockey stick;
 FIG. 2. Is a bottom view thereof;
 FIG. 3. Is a right side elevational view thereof;
 FIG. 4. Is a left side elevational view thereof;
 FIG. 5. Is a front view thereof;
 FIG. 6. Is a rear view thereof;
 FIG. 7. Is a cross sectional view taken along the line 7—7 of FIG. 5;
 FIG. 8. Is a rear view of an alternative embodiment of my hockey stick for opposite hand holding as opposed to that shown in FIG. 6; and,
 FIG. 9. Is a cross section view taken along the line 9—9 of FIG. 8.

The broken line showing is for illustrative purposes only and forms no part of the claimed design.

1 Claim, 2 Drawing Sheets





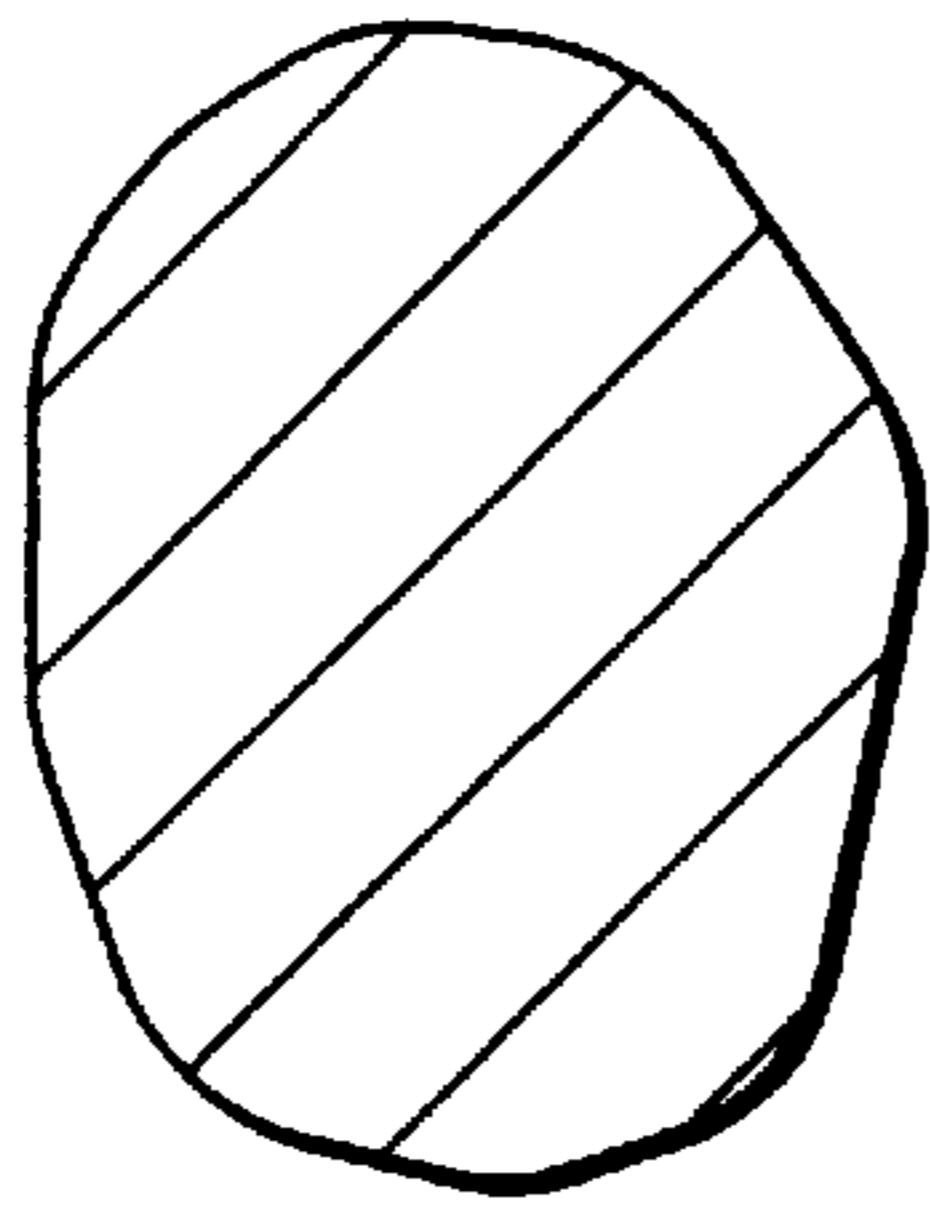


FIG. 7

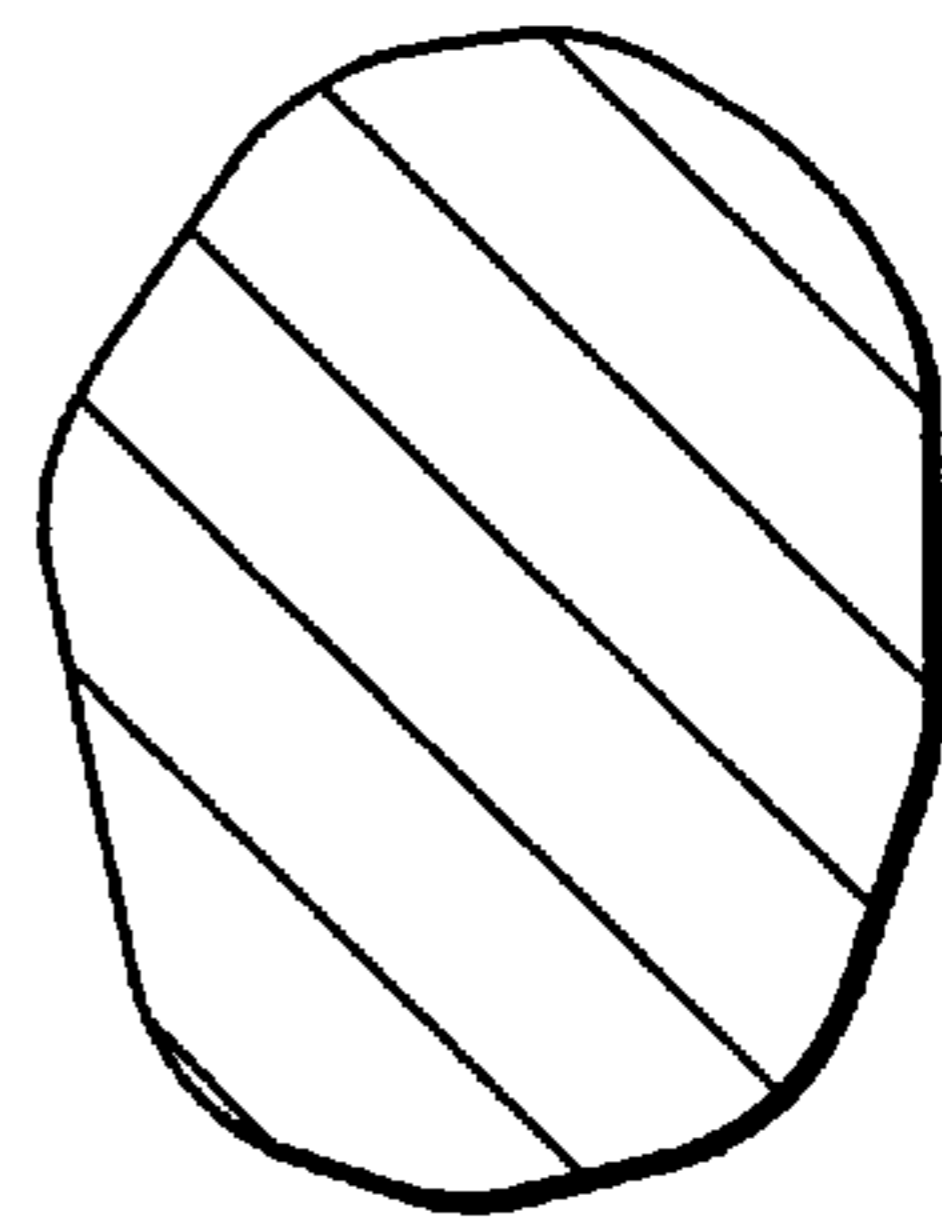


FIG. 9

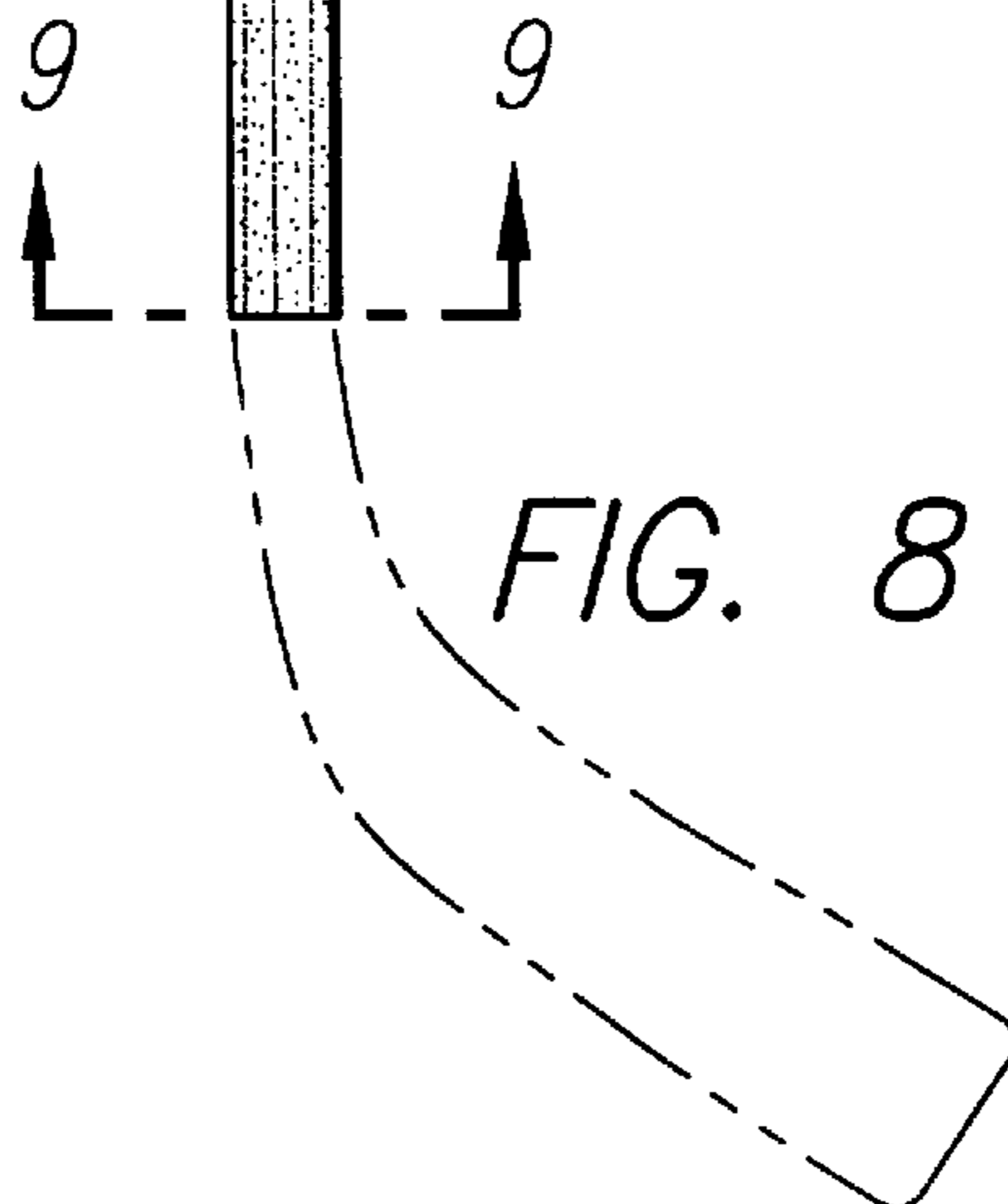


FIG. 8