



US00D432608S

United States Patent [19] Broom

[11] Patent Number: Des. 432,608

[45] Date of Patent: ** Oct. 24, 2000

[54] GOLF BALL PUTTER

[76] Inventor: **Richard Patrick Broom**, 5227 Crystal Springs Dr., Bainbridge Island, Wash. 98110

[**] Term: **14 Years**

[21] Appl. No.: **29/117,454**

[22] Filed: **Jan. 24, 2000**

[51] LOC (7) Cl. **21-02**

[52] U.S. Cl. **D21/744**

[58] Field of Search D21/736-746;
473/251-256, 324, 327, 328, 330, 340,
341

D. 410,054	5/1999	Yu	D21/736
D. 417,710	12/1999	Broom	D21/736
3,042,405	7/1962	Solheim .	
4,984,794	1/1991	Pernelle et al. .	
5,014,992	5/1991	McCallister .	
5,078,398	1/1992	Reed et al. .	
5,226,654	7/1993	Solheim .	
5,267,733	12/1993	Szokola .	
5,494,288	2/1996	Jimenez et al. .	

Primary Examiner—Mitchell Siegel
Attorney, Agent, or Firm—Richardson & Folise

[57] CLAIM

The ornamental design for a golf ball putter, as shown and described.

DESCRIPTION

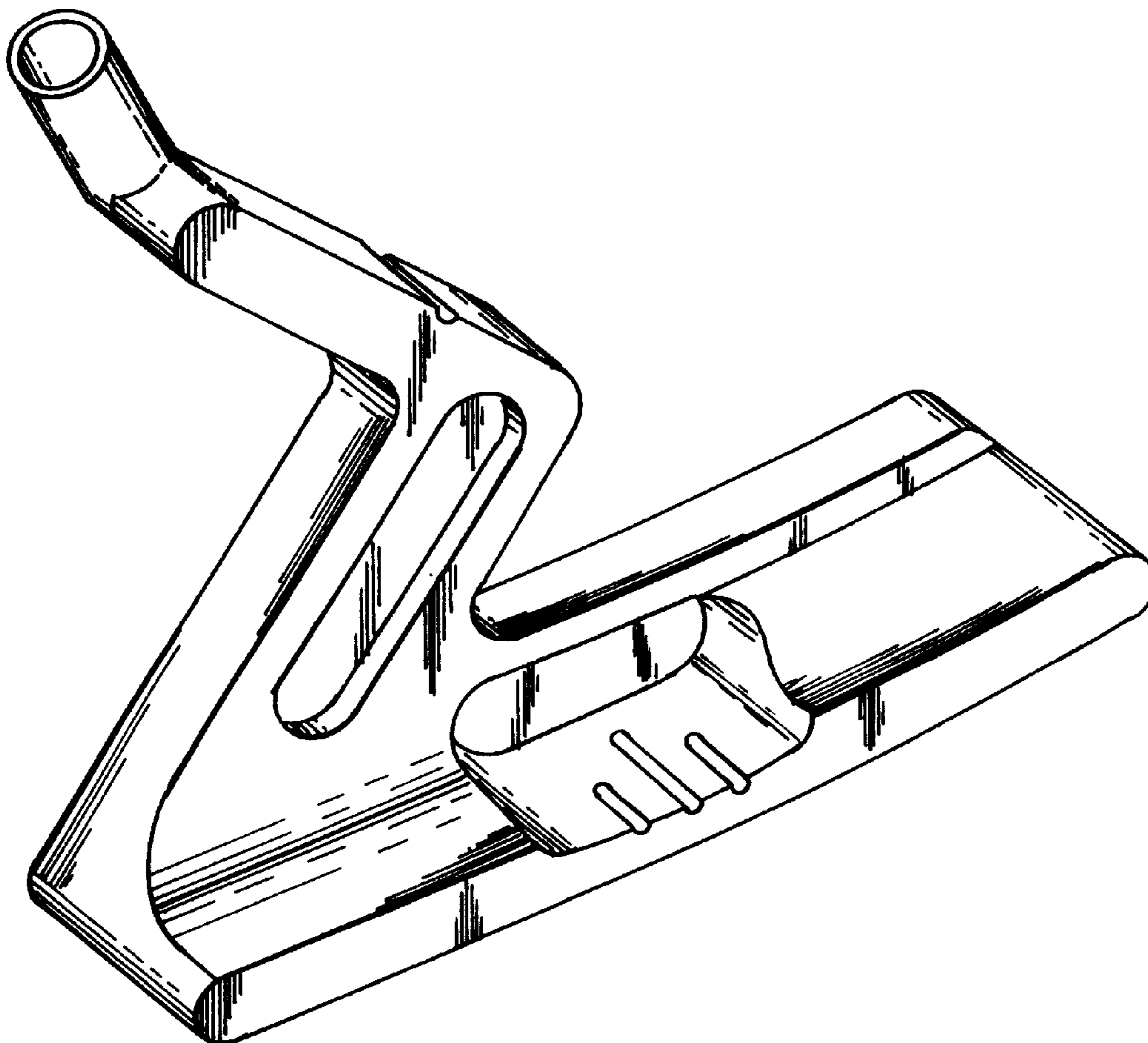
FIG. 1 is a rear, right side perspective view of my new golf ball putter design;
FIG. 2 is a top plan view thereof;
FIG. 3 is a bottom plan view thereof;
FIG. 4 is a left side elevational view thereof;
FIG. 5 is a right side elevational view thereof;
FIG. 6 is a front elevational view thereof; and,
FIG. 7 is a rear elevational view thereof.

1 Claim, 3 Drawing Sheets

[56] References Cited

U.S. PATENT DOCUMENTS

D. 183,091	6/1958	Handzlik, Jr. .	
D. 183,092	6/1958	Handzlik, Jr. .	
D. 209,761	1/1968	Solheim	D21/742
D. 239,951	5/1976	Carrier .	
D. 254,084	1/1980	Hulyk .	
D. 280,004	8/1985	Worster et al. .	
D. 387,829	12/1997	Blaine .	
D. 402,721	12/1998	Gurrola .	



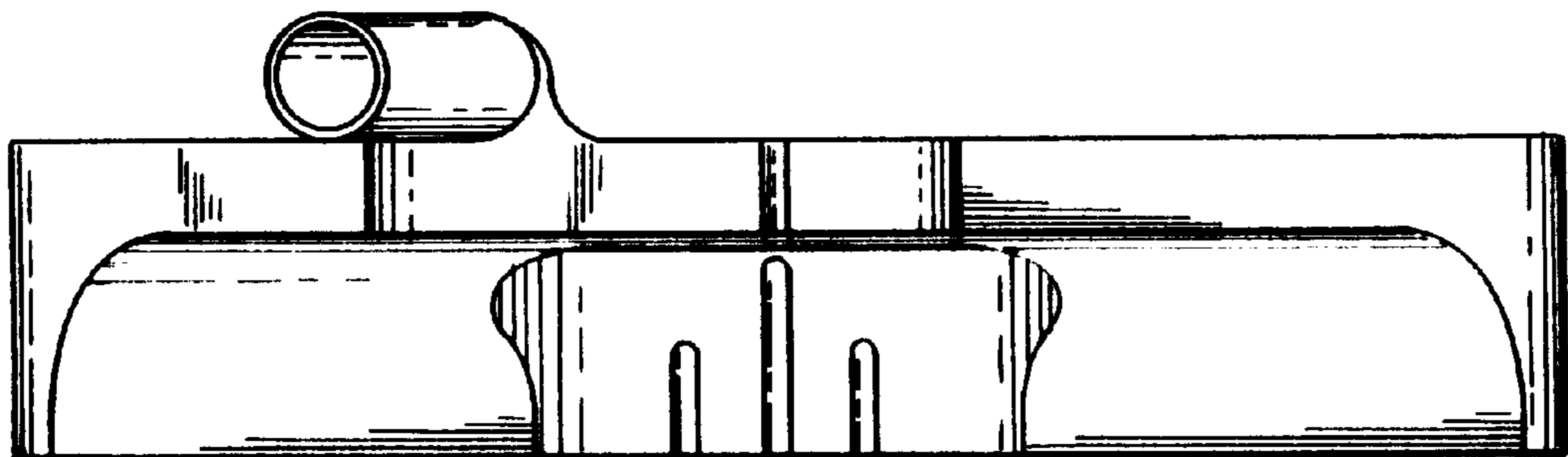
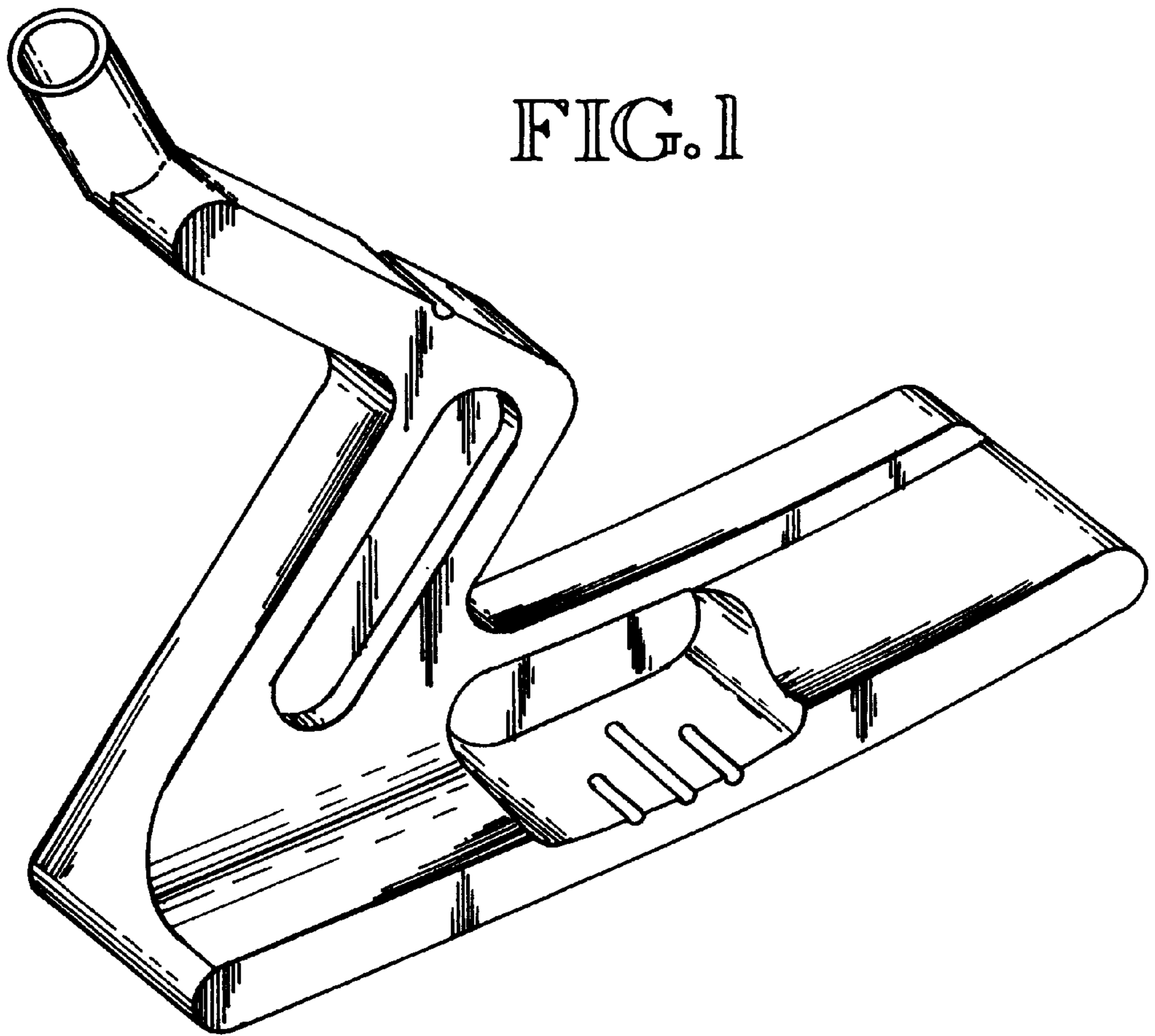


FIG. 3

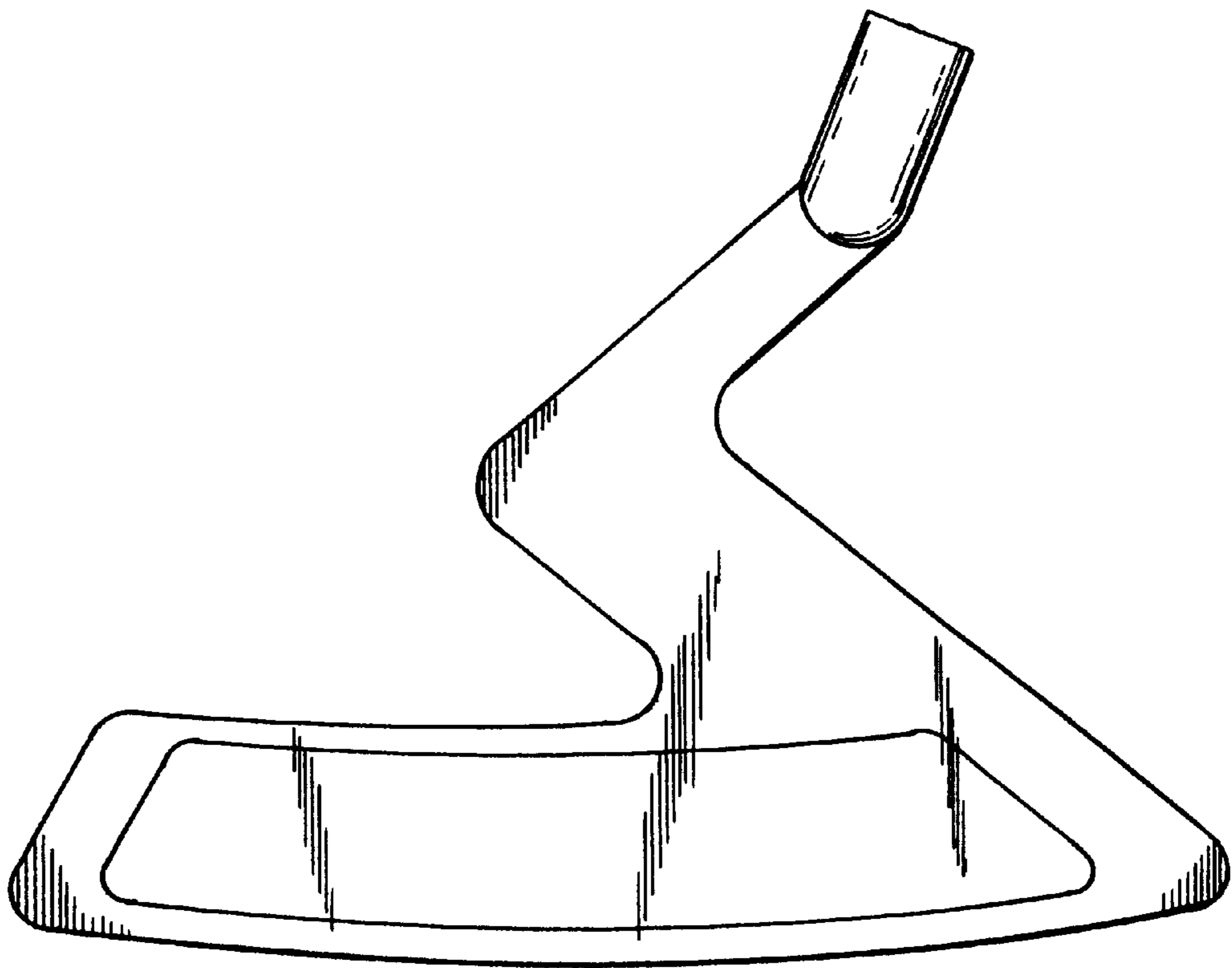
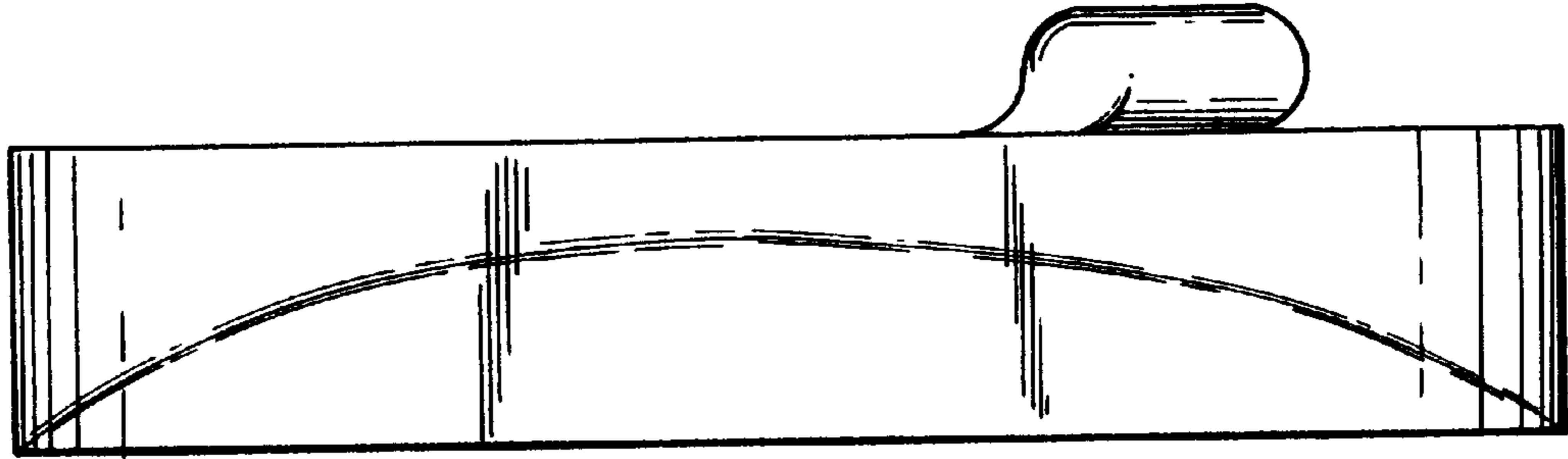


FIG. 4

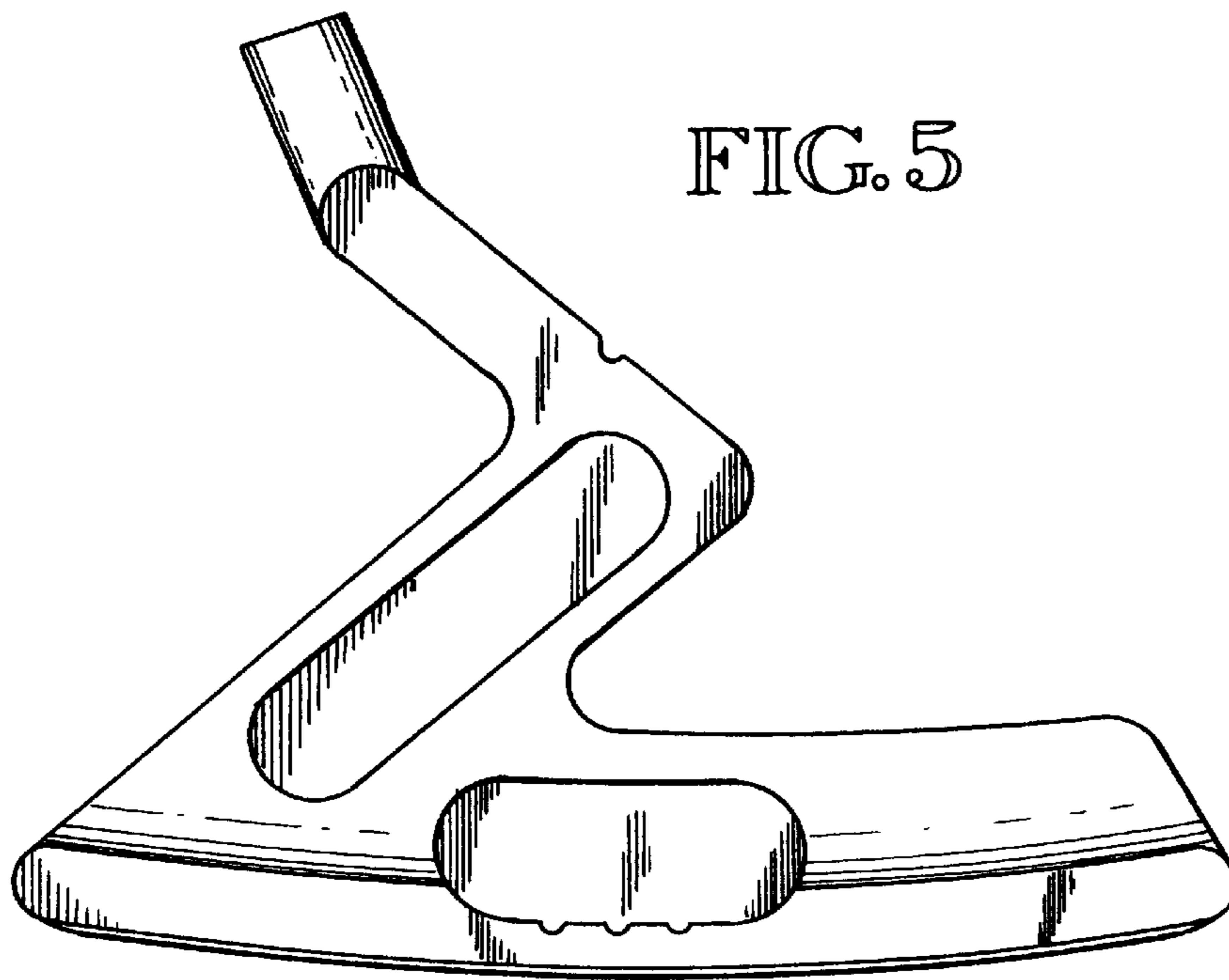


FIG. 5

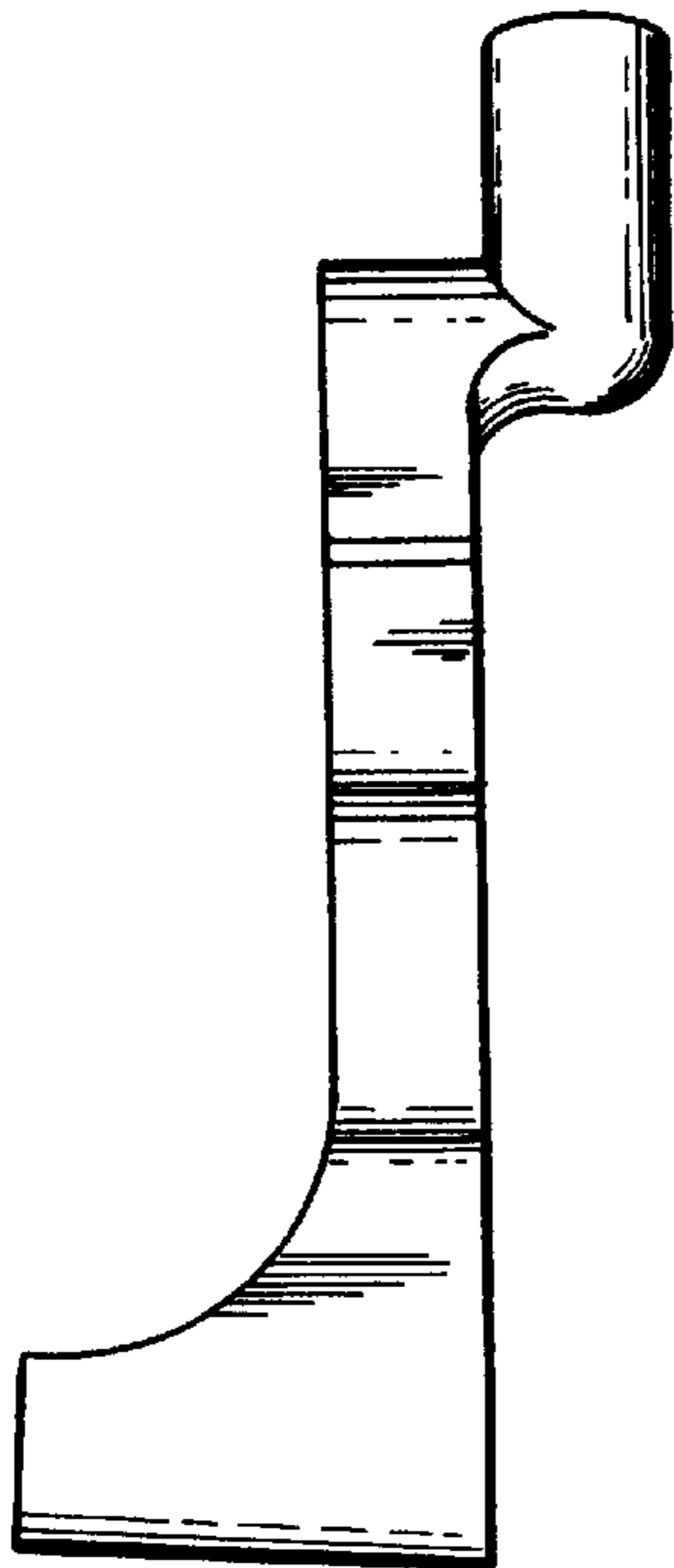


FIG. 6

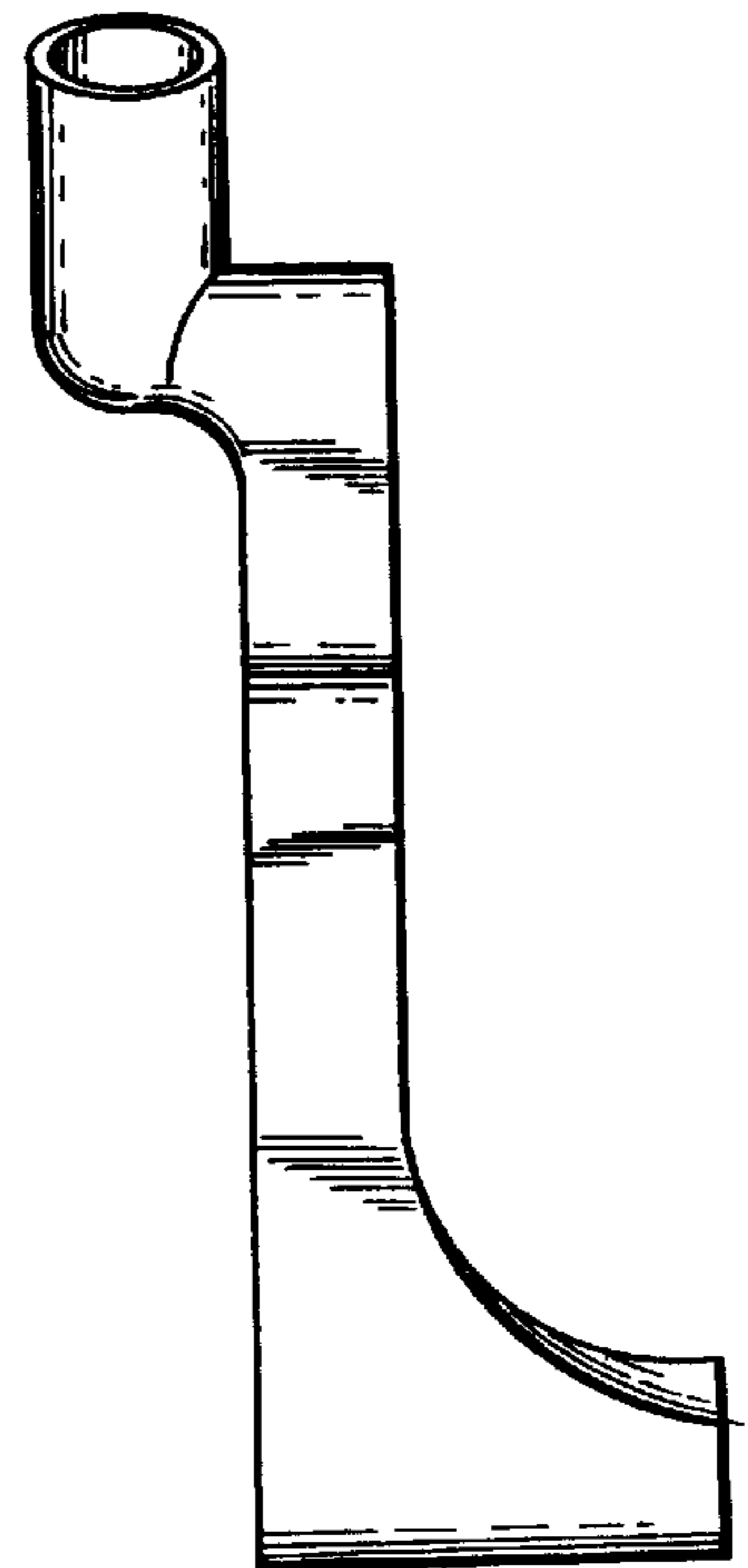


FIG. 7