



US00D432607S

United States Patent [19] Uebelhor

[11] **Patent Number: Des. 432,607**

[45] **Date of Patent: ** Oct. 24, 2000**

[54] **GOLF CLUB PUTTER HEAD**

5,984,800 11/1999 Uebelhor 473/251

[76] Inventor: **Robert N. Uebelhor**, 7611 S. Meridian St., Indianapolis, Ind. 46217

Primary Examiner—Mitchell Siegel
Attorney, Agent, or Firm—Robert A. Spray, Patent Attorney

[**] Term: **14 Years**

[57] **CLAIM**

[21] Appl. No.: **29/114,437**

The ornamental design for a “golf club putter head”, as shown and described.

[22] Filed: **Nov. 26, 1999**

DESCRIPTION

[51] **LOC (7) Cl.** **21-02**

[52] **U.S. Cl.** **D21/736**

[58] **Field of Search** D21/736–746;
473/324, 327, 328, 330, 340–342, 251–256

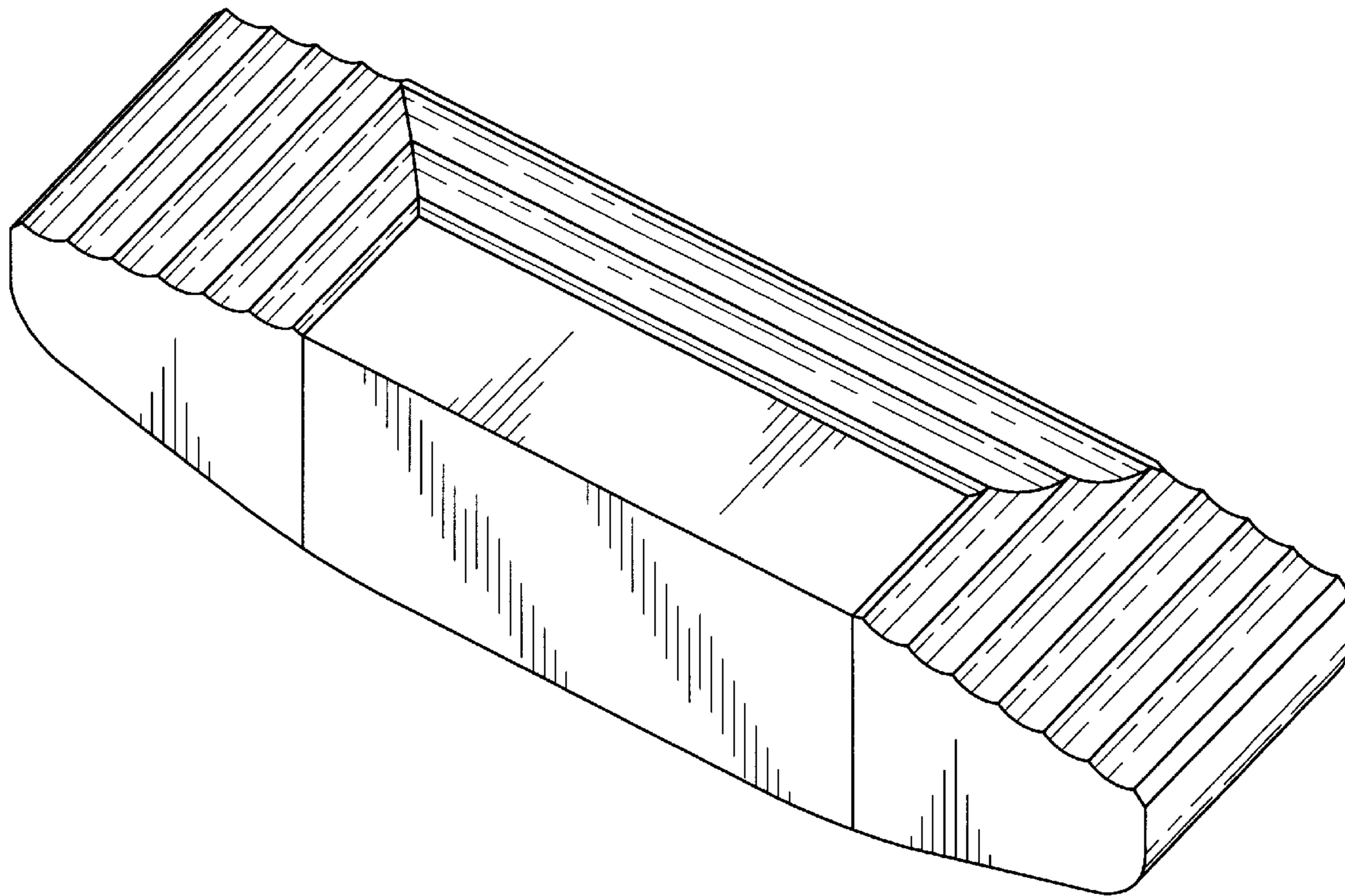
FIG. 1 is a front elevation view according to the inventive design in a first embodiment;
FIG. 2 is a rear elevation view thereof;
FIG. 3 is a top view thereof;
FIG. 4 is a bottom view thereof;
FIG. 5 is a left side elevation view thereof;
FIG. 6 is a right side elevation view thereof; and
FIG. 7 is a pictorial view thereof.
FIG. 8 is a front elevation view according to the inventive design in a second embodiment thereof;
FIG. 9 is a rear elevation view of FIG. 8;
FIG. 10 is a top view of FIG. 8;
FIG. 11 is a bottom view of FIG. 8;
FIG. 12 is a left side elevation view of FIG. 8;
FIG. 13 is a right side elevation view of FIG. 8; and,
FIG. 14 is a pictorial view of FIG. 8.

[56] **References Cited**

U.S. PATENT DOCUMENTS

D. 325,949	5/1992	Harris, Jr.	D21/741
D. 335,691	5/1993	Barker et al.	D21/736
D. 385,933	11/1997	Rollinson et al.	D21/746
D. 388,851	1/1998	Rollinson et al.	D21/746
D. 401,651	11/1998	Cleveland et al.	D21/736
D. 402,722	12/1998	Rollinson	D21/742
D. 405,491	2/1999	Bizovi	D21/744
D. 407,445	3/1999	Rollinson et al.	D21/743
D. 414,830	10/1999	Cleveland et al.	D21/736
3,043,596	7/1962	Ehmke	473/240
5,415,399	5/1995	Kettelson	473/342
5,464,218	11/1995	Schmidt et al.	473/341

1 Claim, 12 Drawing Sheets



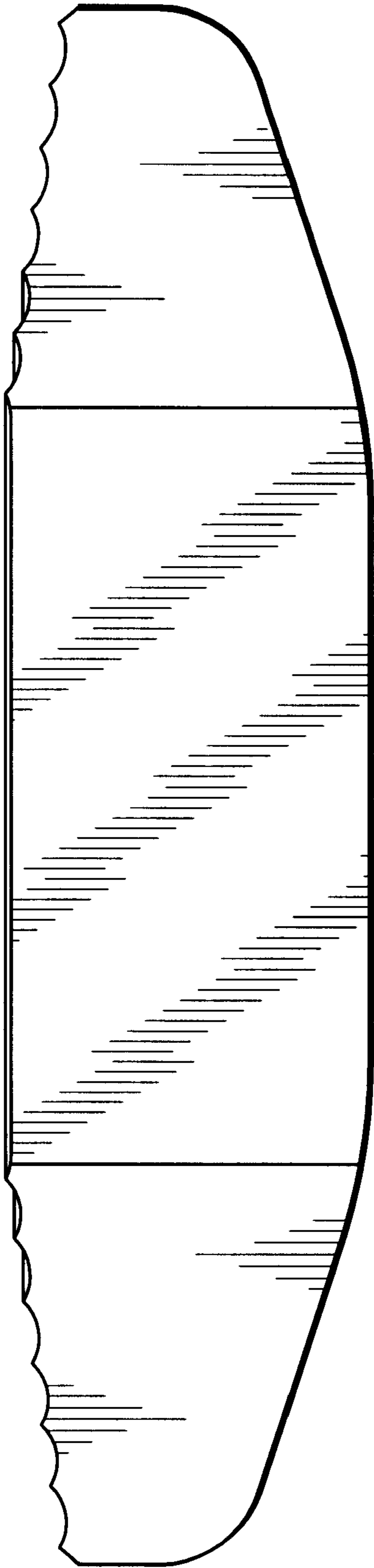


Fig. 1

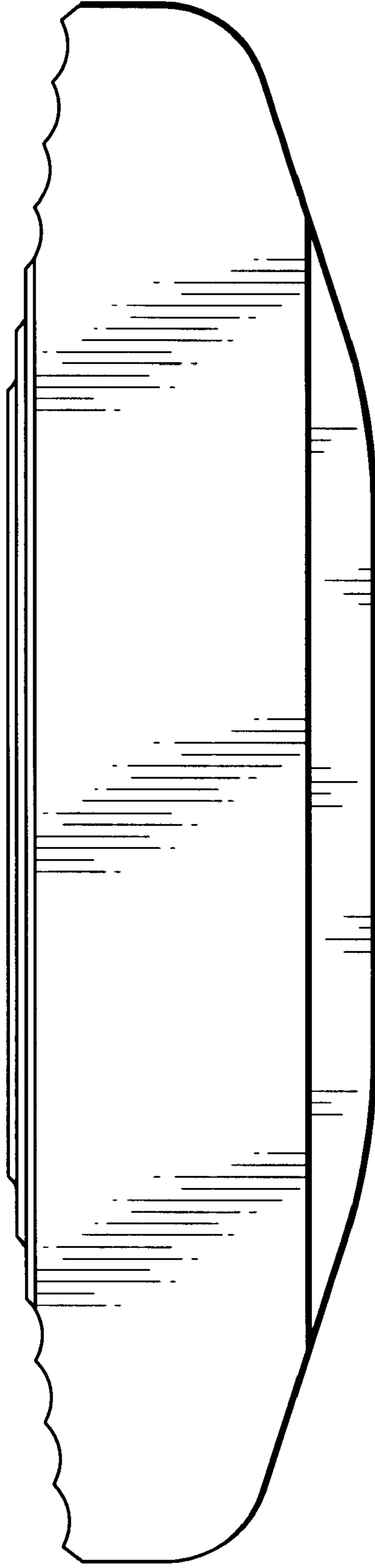


Fig. 2

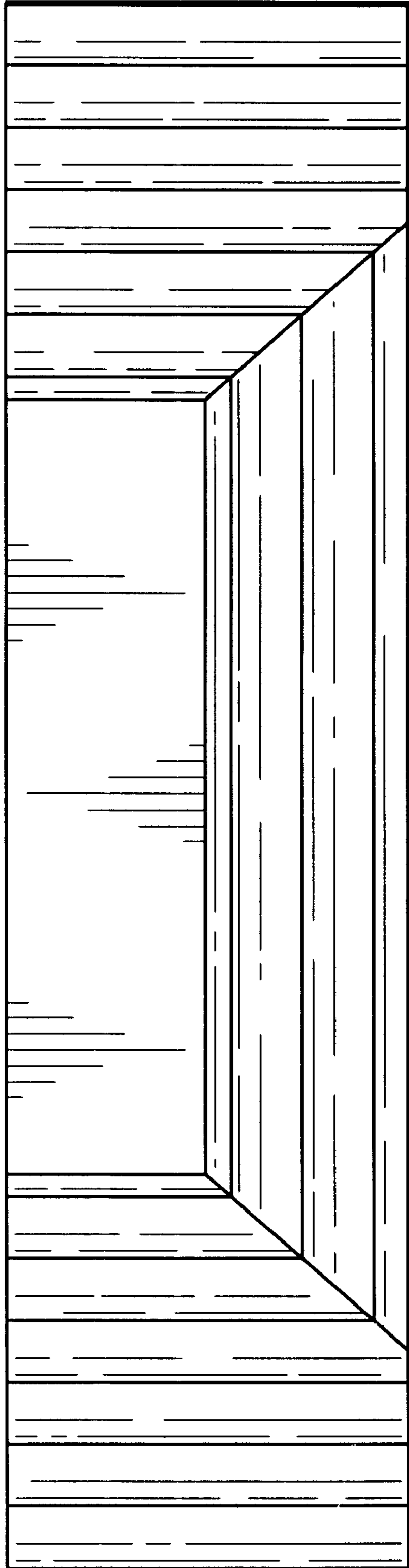


Fig. 3

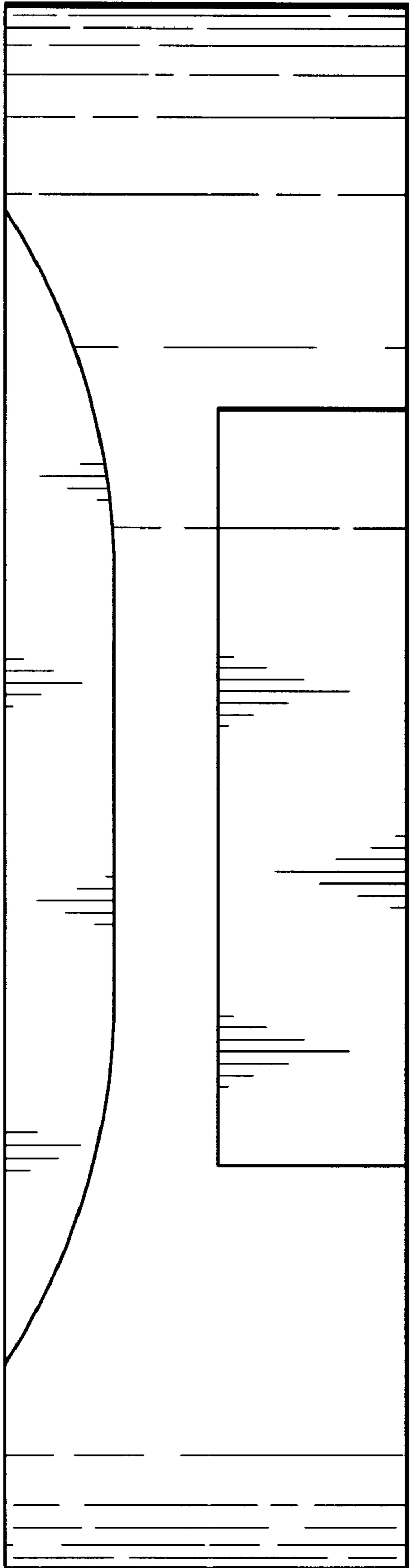


Fig. 4

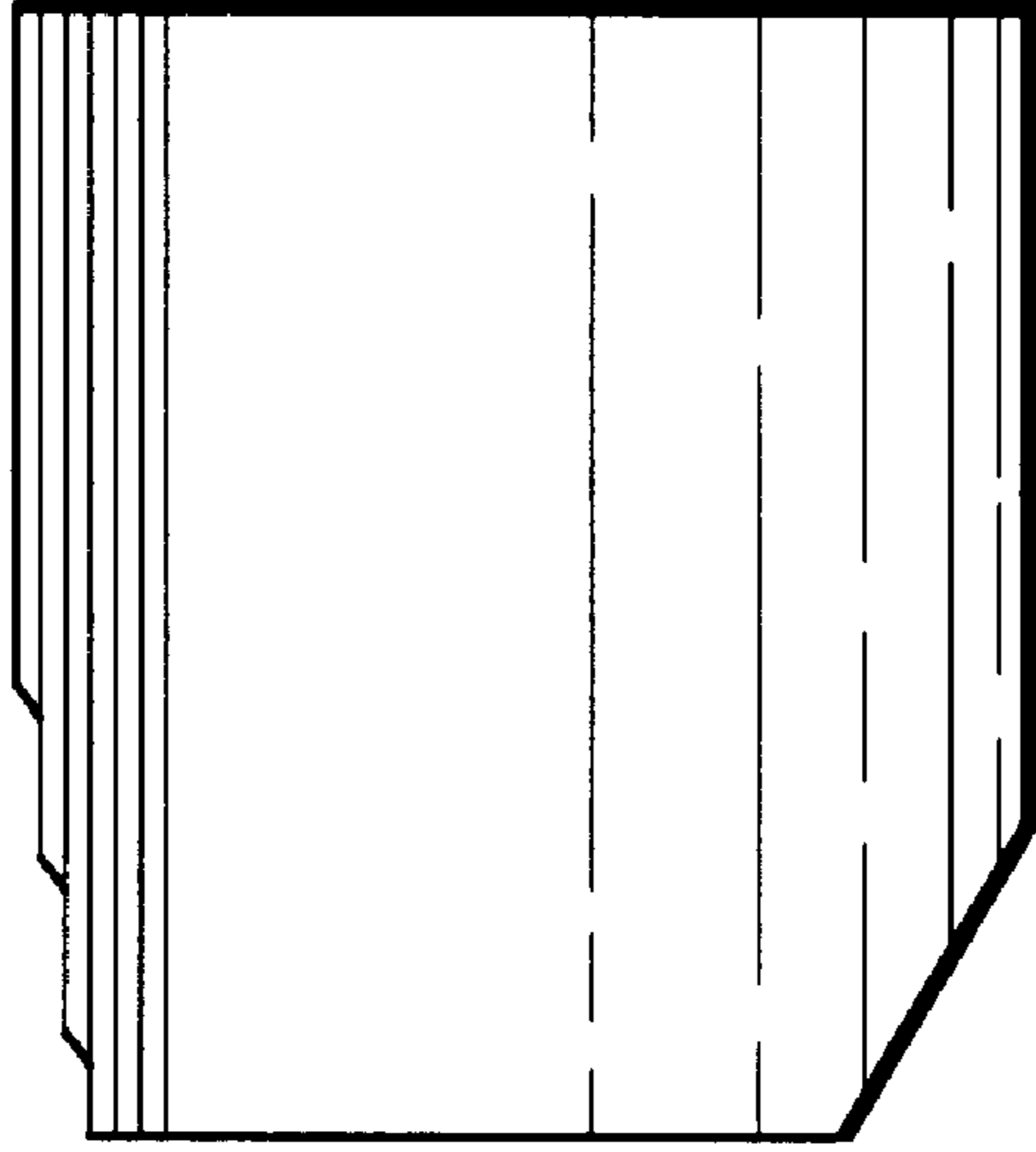


Fig. 5

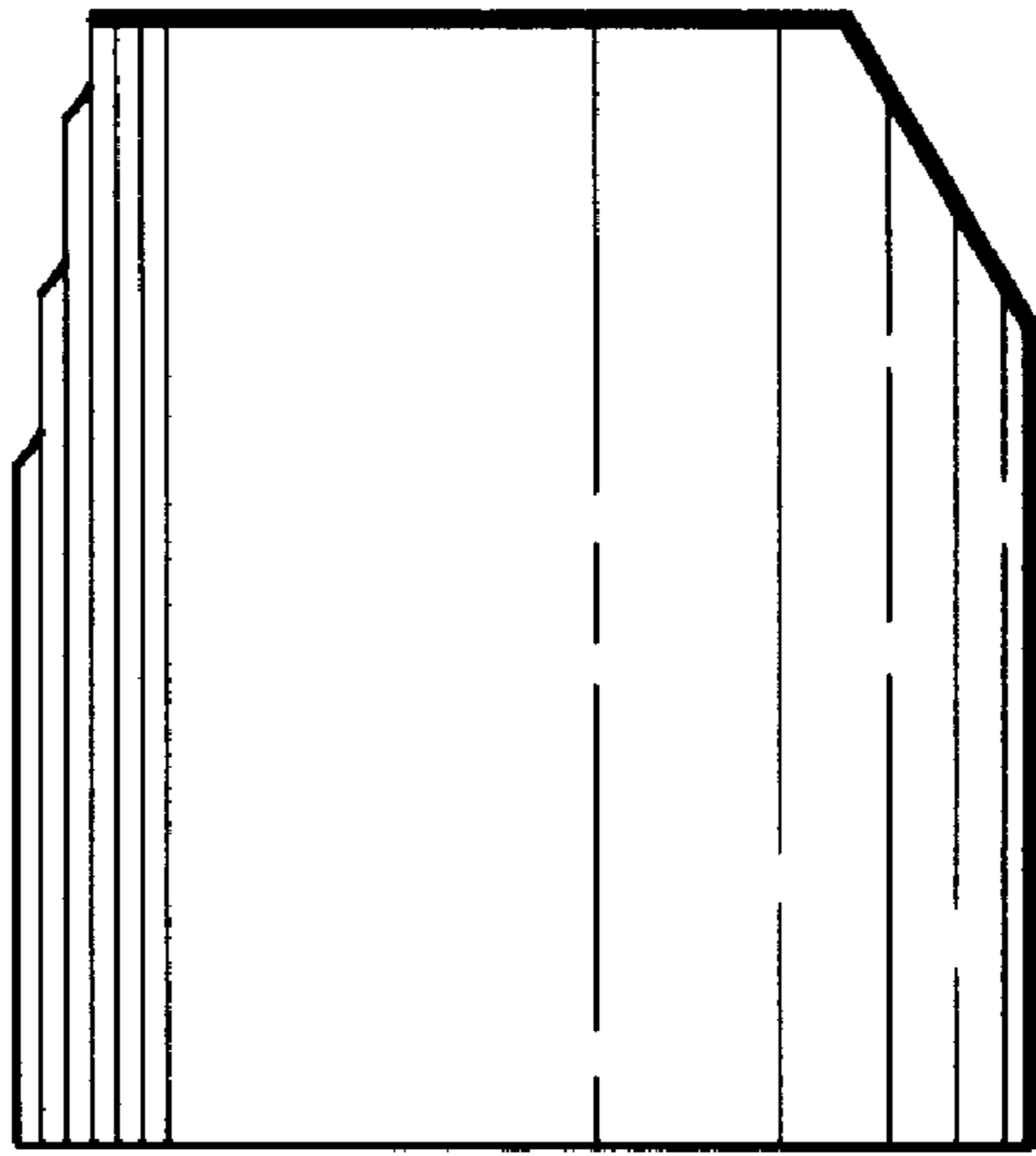


Fig. 6

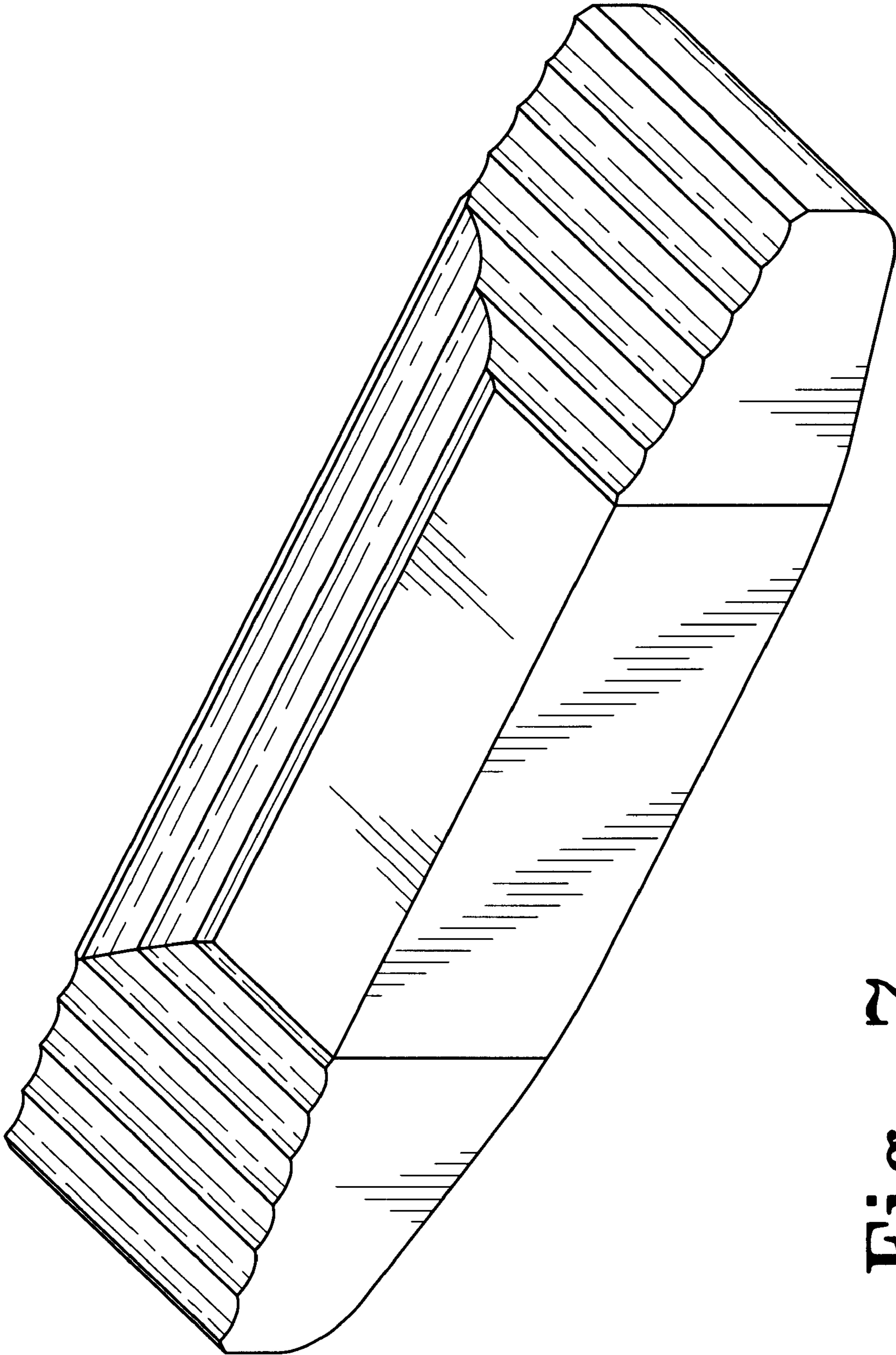


Fig. 7

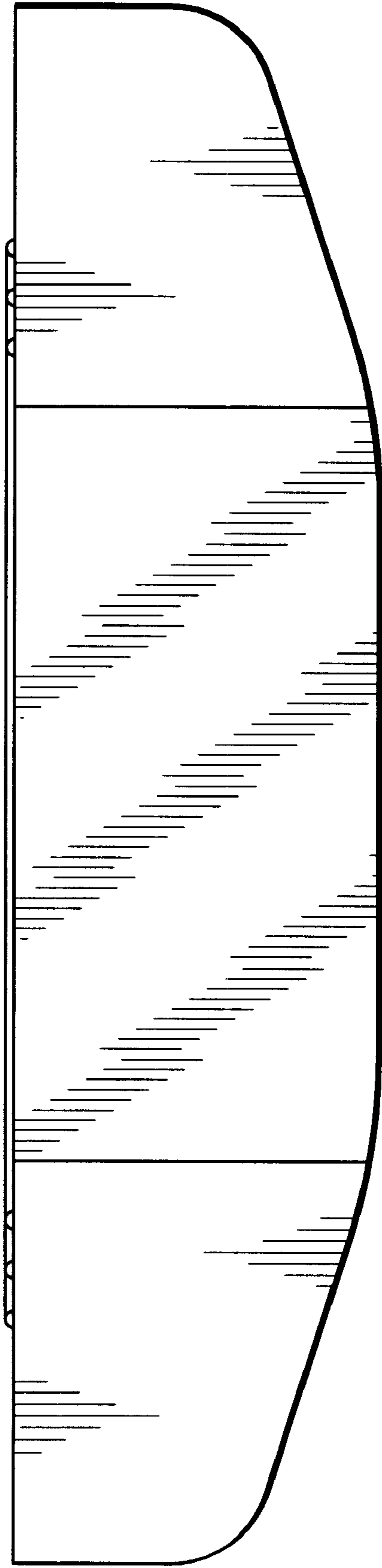


Fig. 8

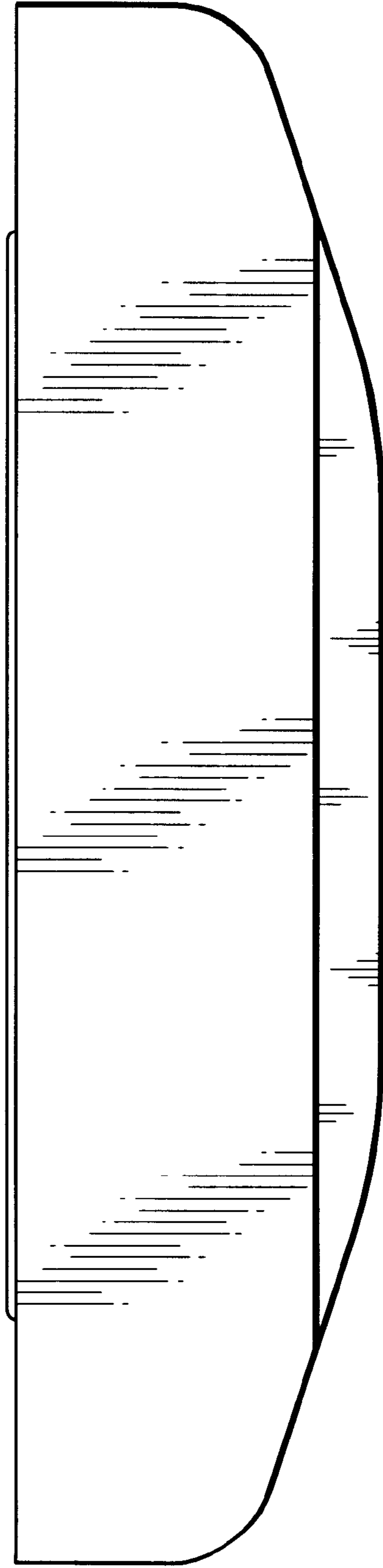


Fig. 9

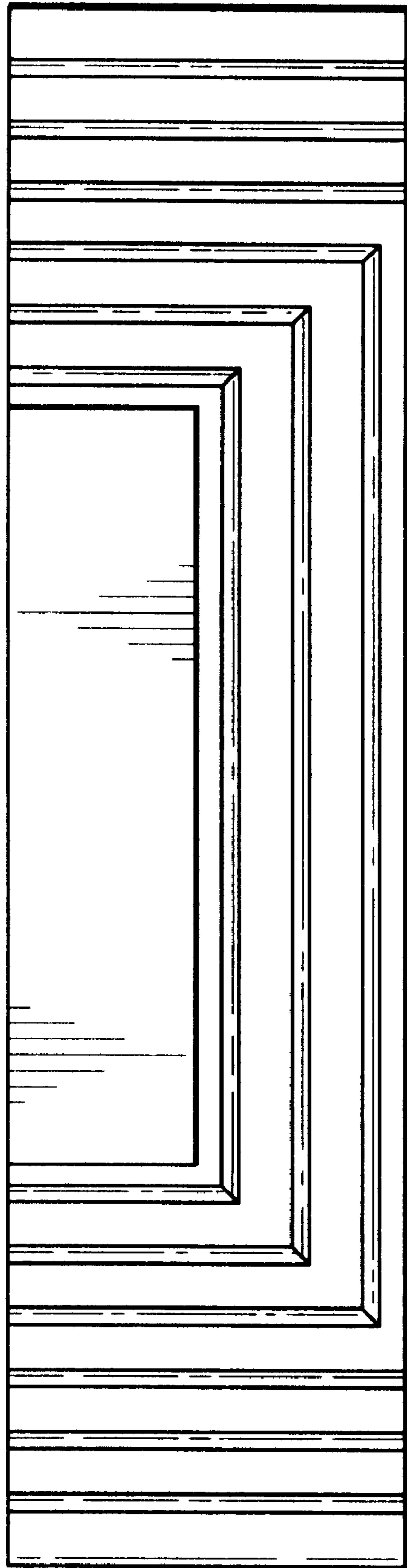


Fig. 10

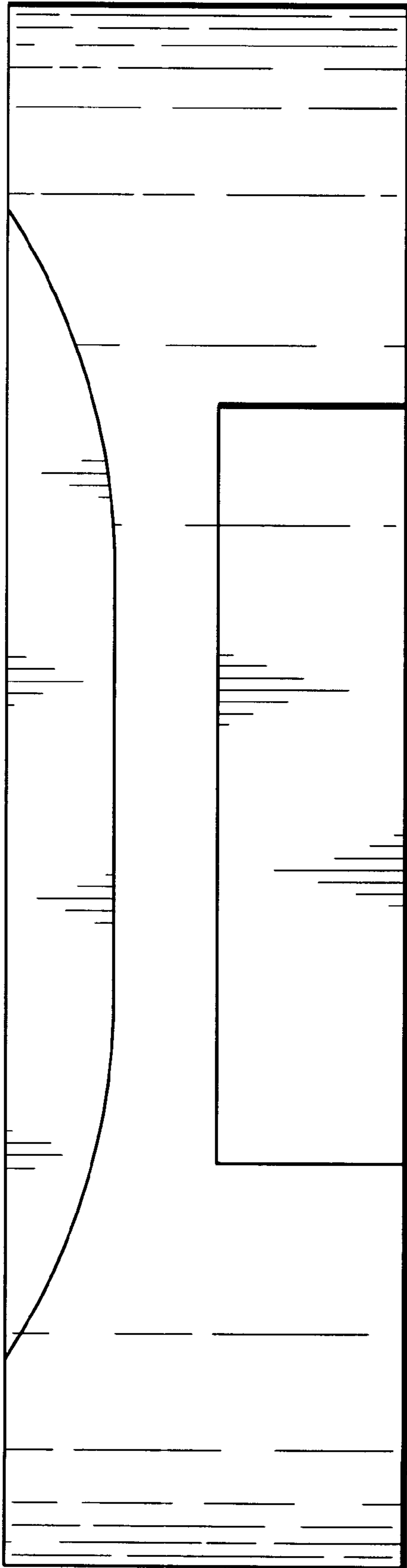


Fig. 11

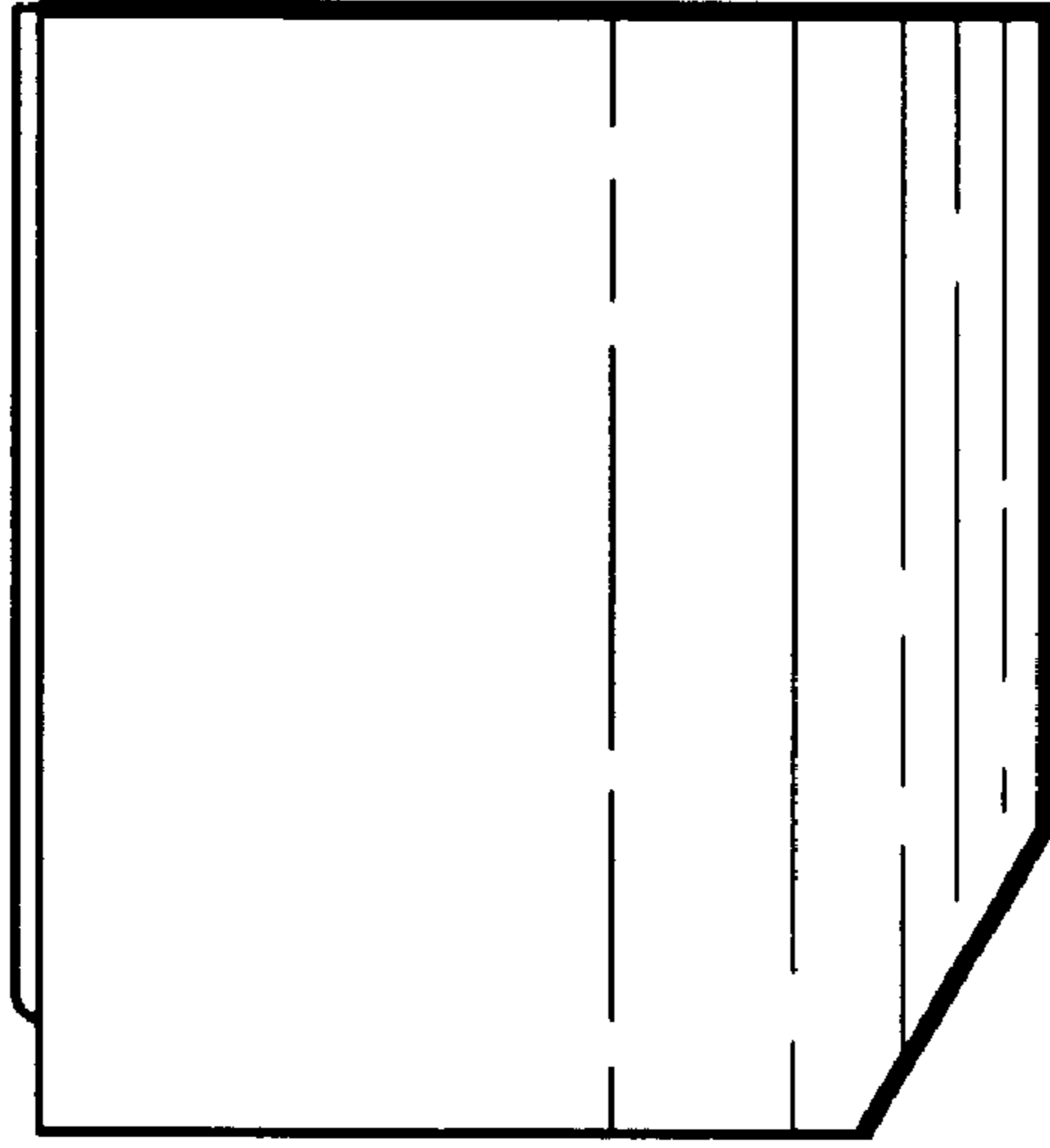


Fig. 12

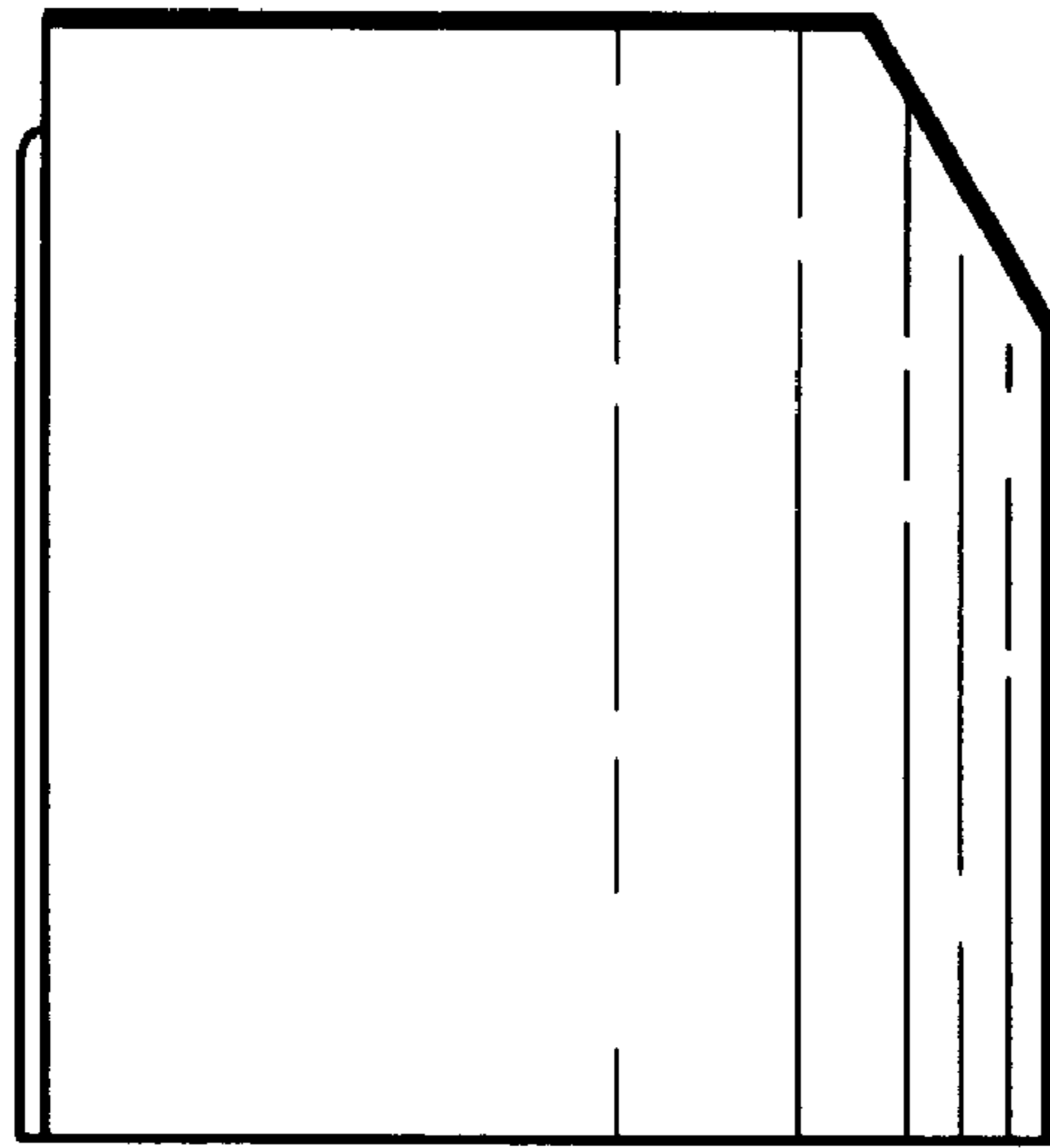


Fig. 13

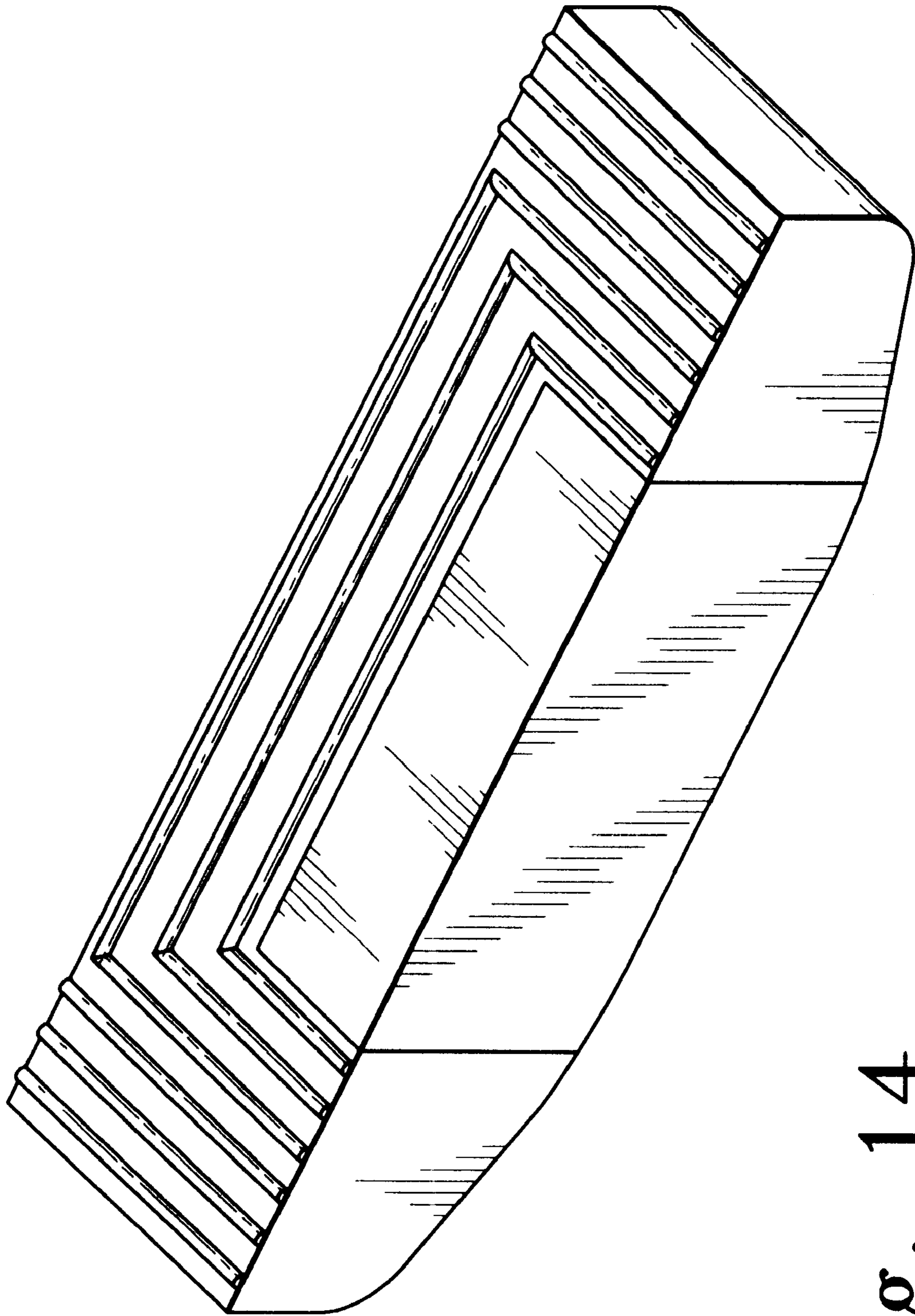


Fig. 14