



US00D432602S

United States Patent [19] Savage

[11] Patent Number: Des. 432,602

[45] Date of Patent: ** Oct. 24, 2000

[54] WEIGHT PLATE

[76] Inventor: Michael J. Savage, 15 MacArthur Dr.,
Millbury, Mass. 01527

[**] Term: 14 Years

[21] Appl. No.: 29/109,307

[22] Filed: Aug. 12, 1999

[51] LOC (7) Cl. 21-02

[52] U.S. Cl. D21/681; D21/680

[58] Field of Search D21/662, 679,
D21/680, 681; 482/92, 104, 105, 106, 107,
108, 109

D. 421,076	2/2000	Lincir	D21/681
5,137,502	8/1992	Anastasi	482/106
5,421,797	6/1995	Fletcher	482/106
5,692,996	12/1997	Widerman	482/93
5,735,777	4/1998	Benoit et al.	482/93
5,853,355	12/1998	Standish	482/106

Primary Examiner—Philip S. Hyder
Attorney, Agent, or Firm—Blodgett & Blodgett, P.C.

[57] CLAIM

I claim the ornamental design for weight plate, as shown and described.

DESCRIPTION

FIG. 1 is a top plan view of a weight plate showing my new design, the bottom plan, the right side and left side elevational view being identical to FIG. 1;

FIG. 2 is a front elevational view thereof, the rear elevation view being identical to FIG. 1 by rotating the plate as shown in FIG. 1 180° about a horizontal axis;

FIG. 3 is a cross-sectional view thereof, taken along line 3—3 of FIG. 2 and looking in the direction of the arrows, and,

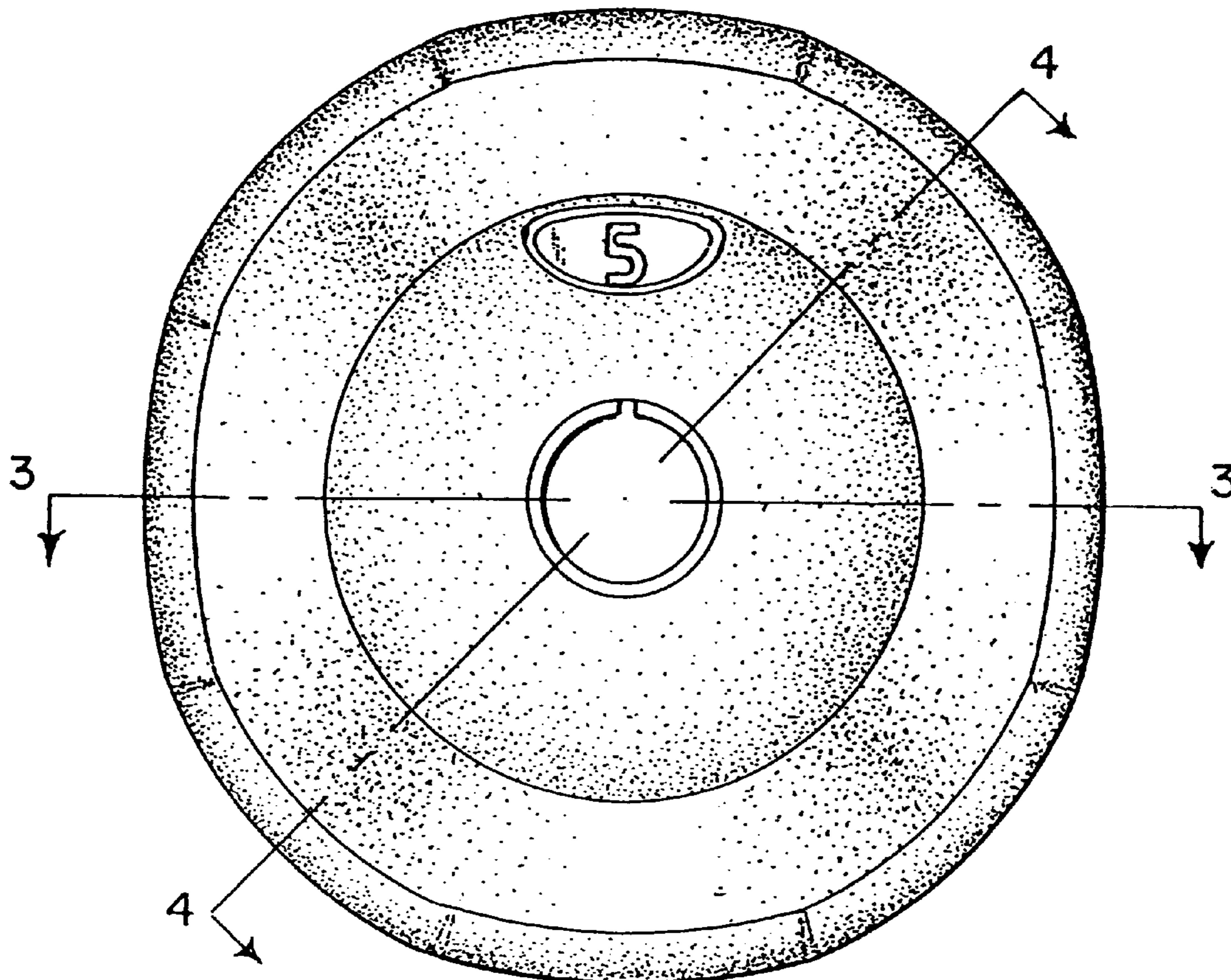
FIG. 4 is a cross-sectional view thereof, taken along line 4—4 of FIG. 2 and looking in the direction of the direction of the arrows.

[56] References Cited

U.S. PATENT DOCUMENTS

D. 194,042	11/1962	Guthormsen	D21/681
D. 230,752	3/1974	Speyer	D21/681
D. 274,283	6/1984	Wright	D21/682
D. 278,358	4/1985	Zwilling	D21/681
D. 299,373	1/1989	Parker et al.	D21/680
D. 354,322	1/1995	Vodhanel, Jr.	D21/681
D. 355,007	1/1995	Rojas et al.	D21/681
D. 374,047	9/1996	Thieleman	D21/682
D. 394,685	5/1998	Eckmann	D21/680
D. 406,183	2/1999	Zovich	D21/680
D. 409,695	5/1999	Rojas et al.	D21/680

1 Claim, 2 Drawing Sheets



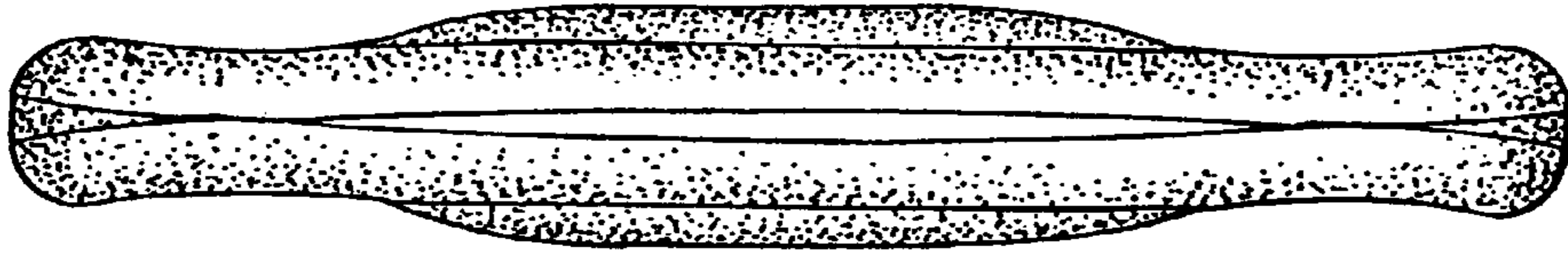


FIG. 1

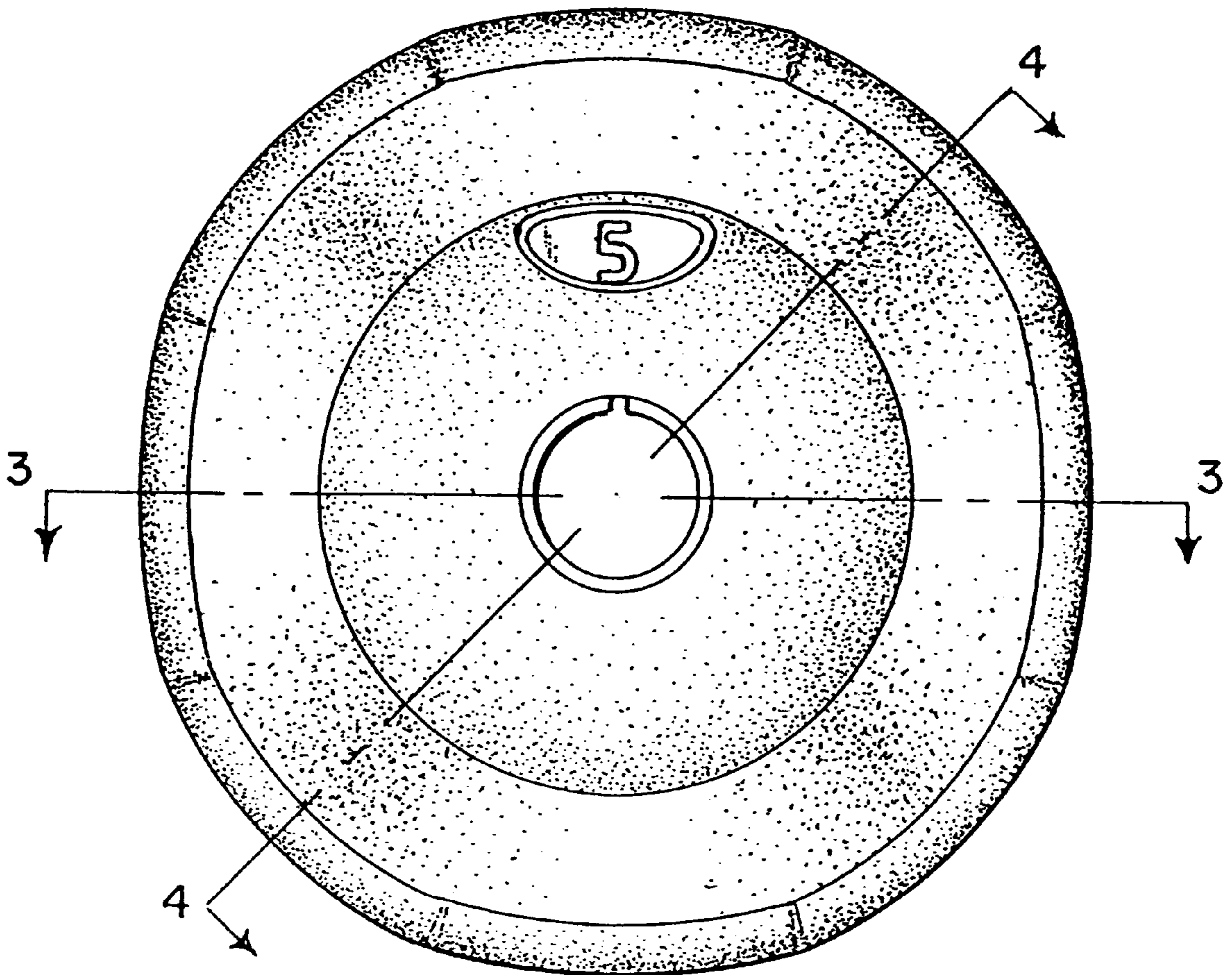


FIG. 2

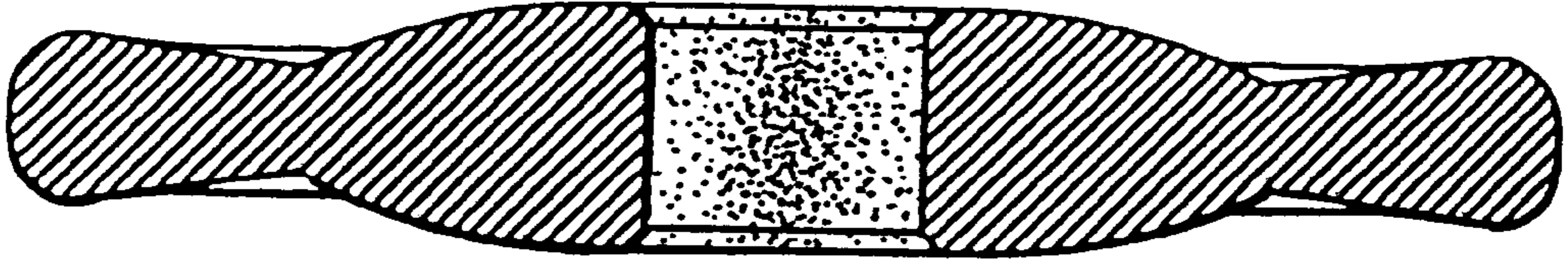


FIG. 3

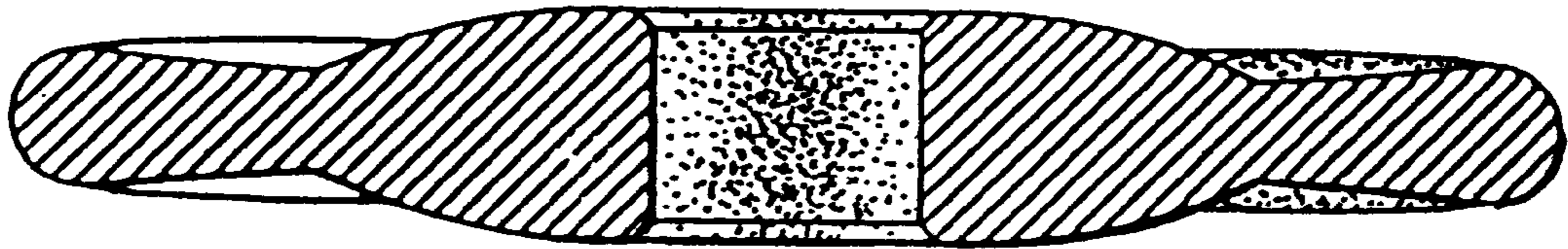


FIG. 4