



US00D432600S

United States Patent [19]

Szabo et al.

[11] Patent Number: Des. 432,600

[45] Date of Patent: ** Oct. 24, 2000

[54] **INVERSION CHAIR EXERCISE DEVICE**

[75] Inventors: **William J. Szabo**, Sunland; **Dennis L. Colonello**, Granada Hills, both of Calif.

[73] Assignee: **Fitness Quest, Inc.**, Canton, Ohio

[**] Term: **14 Years**

4,739,749	4/1988	Lindley	128/71
4,768,834	9/1988	Walsh	297/466
4,893,827	1/1990	Gay et al.	280/250
5,009,466	4/1991	Perry	297/323
5,135,459	8/1992	Perry, Jr.	482/144
5,334,123	8/1994	Rutherford	482/144
5,575,745	11/1996	Lin	482/144
5,718,660	2/1998	Chen	482/144

[21] Appl. No.: **29/119,174**

[22] Filed: **Feb. 24, 2000**

Primary Examiner—Philip S. Hyder
Attorney, Agent, or Firm—Sand & Sebolt

[51] **LOC (7) Cl.** **21-02**

[52] **U.S. Cl.** **D21/662; D21/690; D6/367**

[58] **Field of Search** D21/690, 662,
 D21/676; D24/183; D6/367; 482/142, 144;
 297/325, 326, 327

[57] CLAIM

The ornamental design for an inversion chair exercise device, as shown and described.

[56] References Cited

U.S. PATENT DOCUMENTS

DESCRIPTION

Re. 31,092	11/1982	Sieber .	
47,342	4/1865	Sayre .	
D. 397,259	8/1998	Chantani et al.	D6/367
1,327,475	1/1920	Howell .	
1,486,813	3/1924	Tallman .	
3,463,145	8/1969	Whitaker	128/24
3,635,526	1/1972	Posey	297/390
3,711,152	1/1973	Sirpak et al.	297/282
4,142,520	3/1979	Herbold	128/74
4,214,790	7/1980	Sieber	297/326
4,275,714	6/1981	Lewis	128/74
4,534,554	8/1985	Miller	482/144
4,566,693	1/1986	Seidentop et al.	482/144

FIG. 1 is a perspective view of the inversion chair exercise device of the present invention;

FIG. 2 front elevational view of inversion chair exercise device of the present invention;

FIG. 3 is a left-side elevational view of the inversion chair exercise device of the present invention;

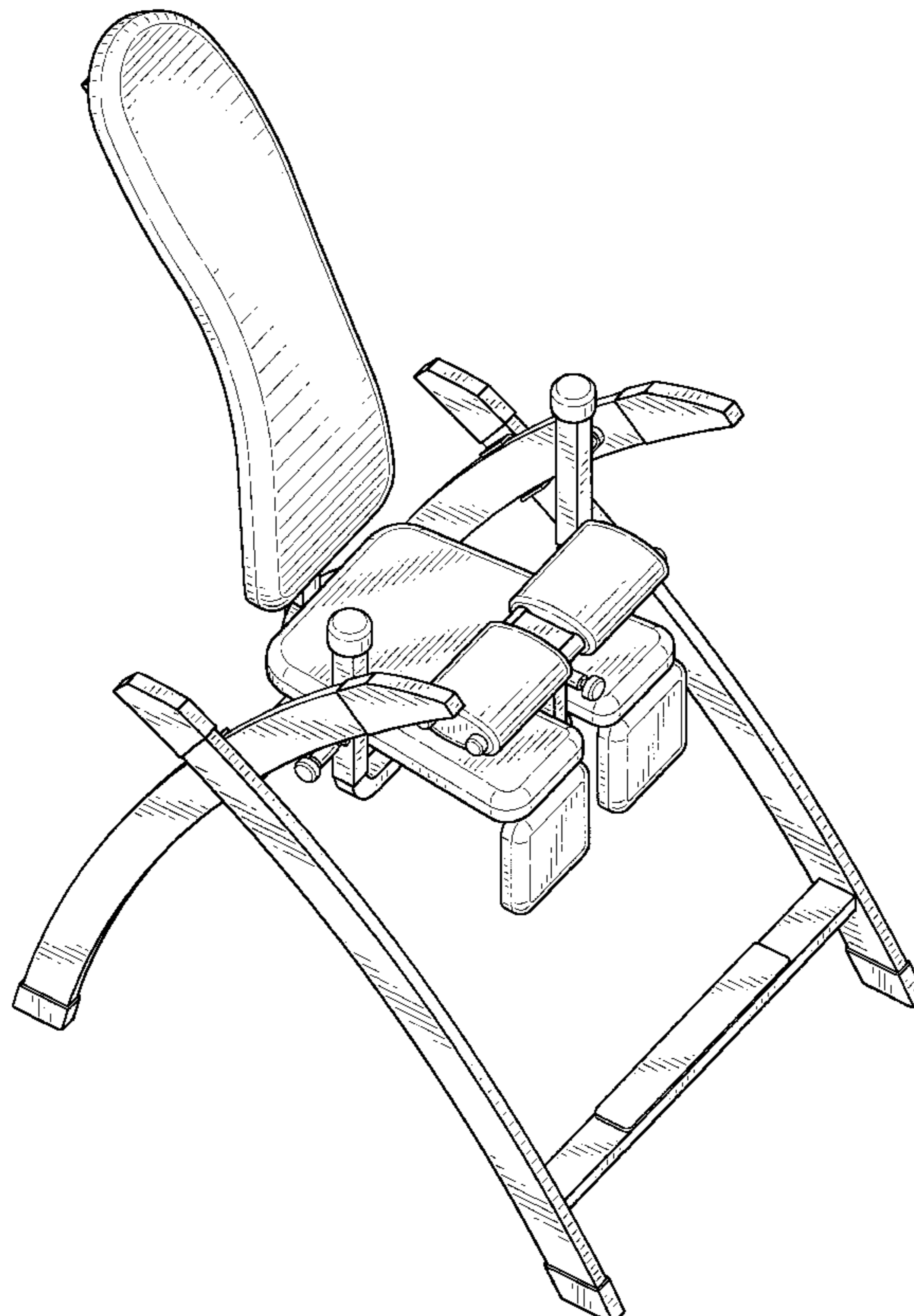
FIG. 4 is a right-side elevational view of the inversion chair exercise device of the present invention;

FIG. 5 is a top plan view of the inversion chair exercise device of the present invention;

FIG. 6 is a bottom plan view of the inversion chair exercise device of the present invention; and,

FIG. 7 is a rear elevational view of the inversion chair exercise device of the present invention.

1 Claim, 7 Drawing Sheets



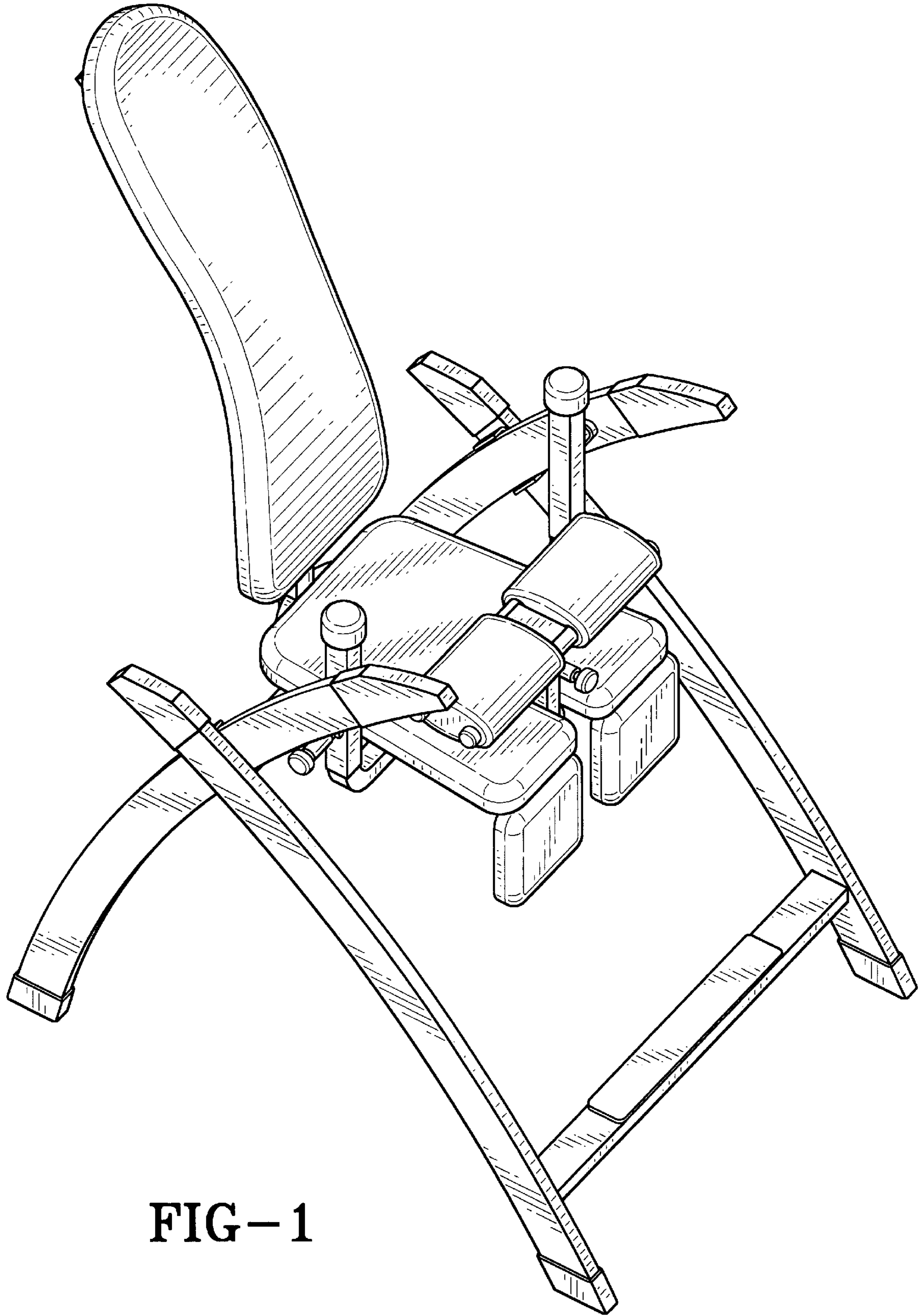


FIG-1

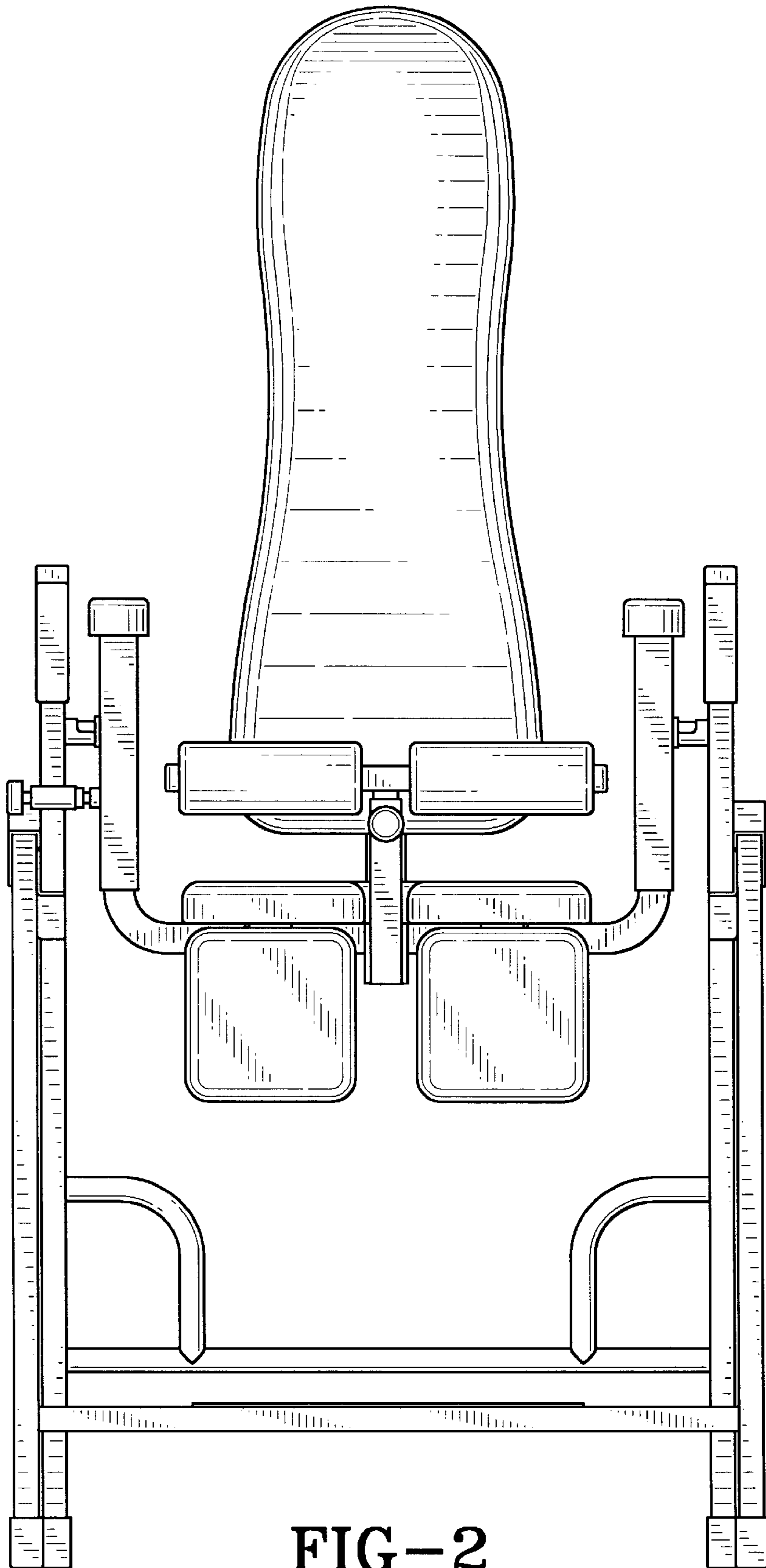


FIG-2

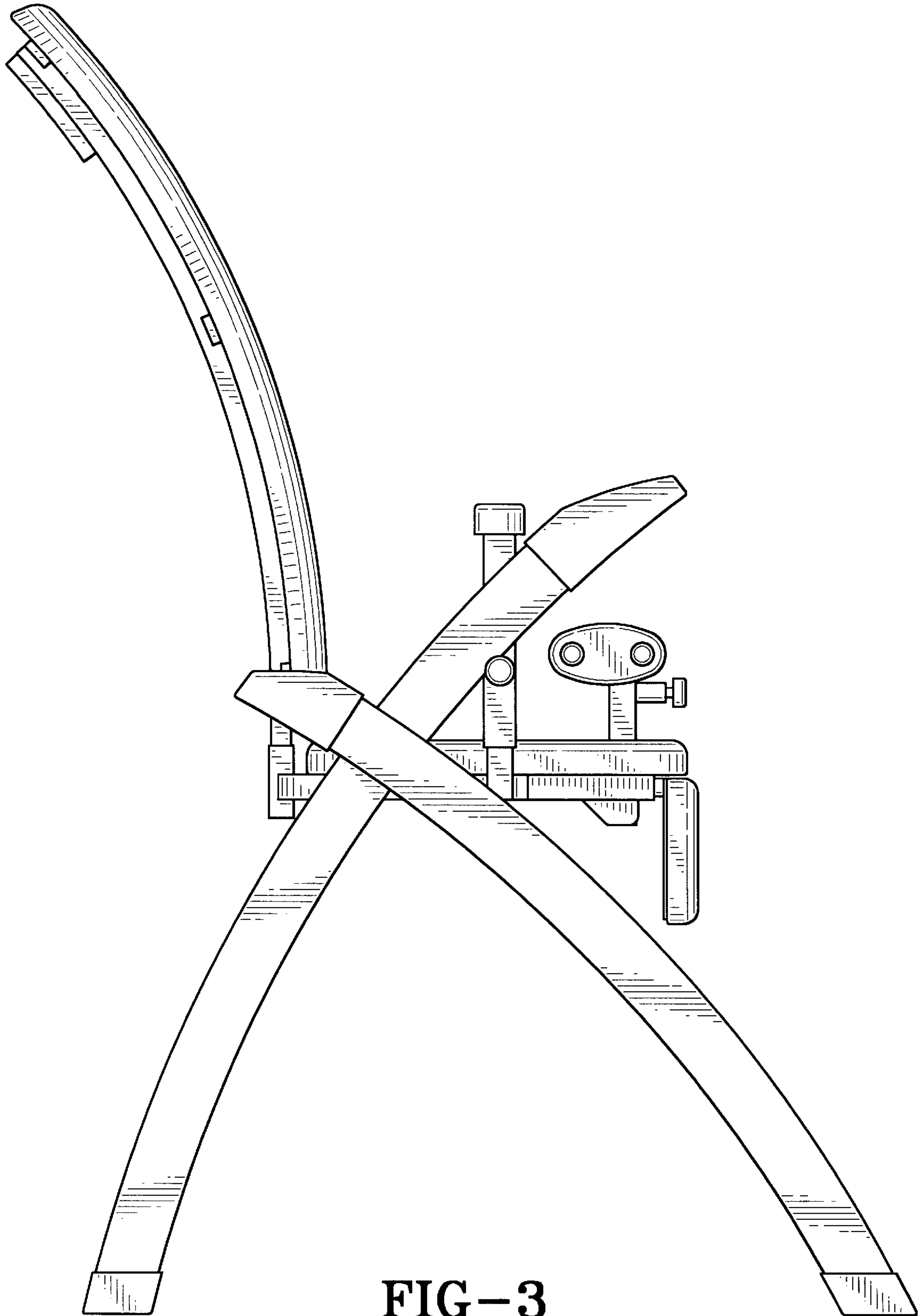


FIG-3

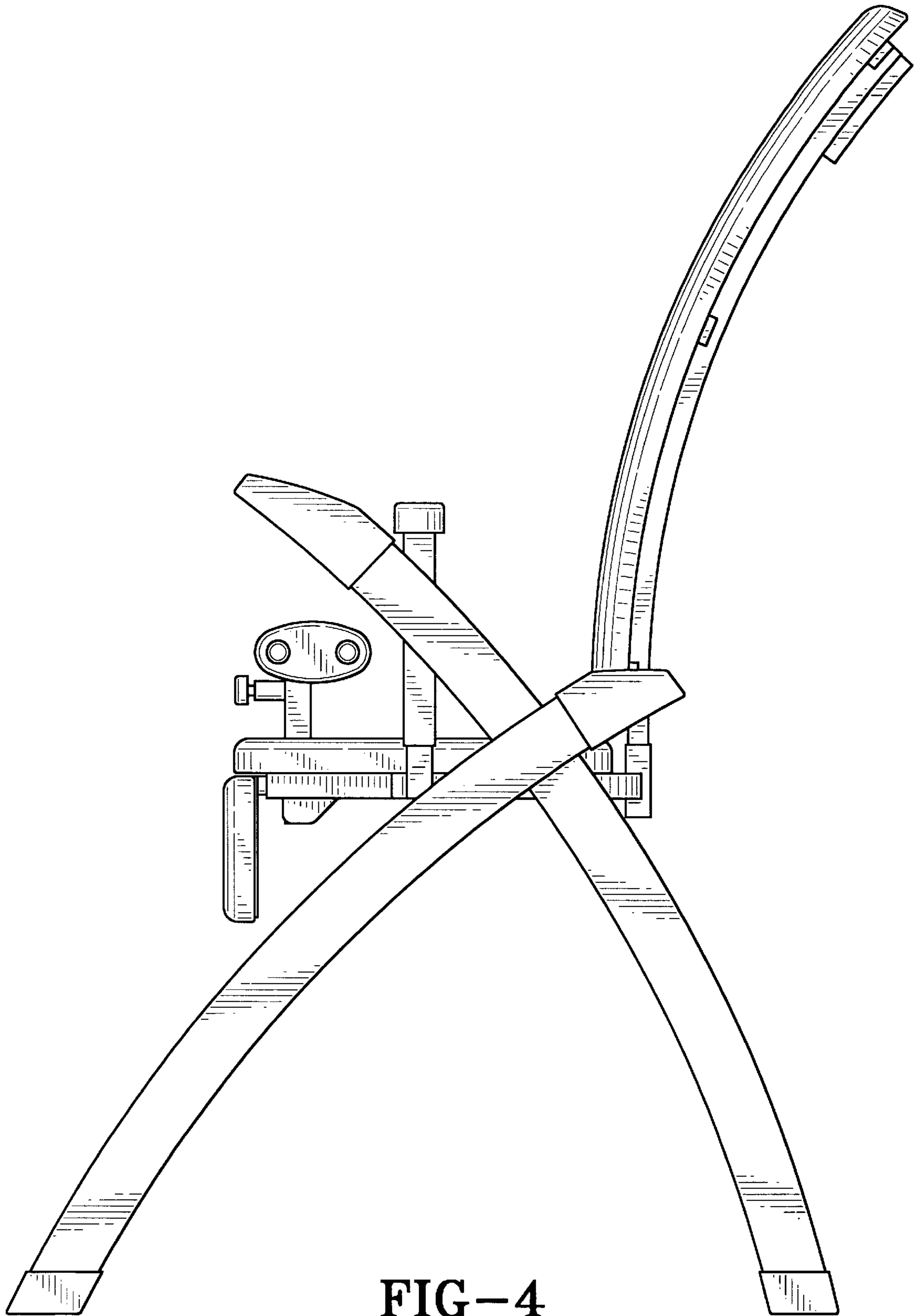


FIG-4

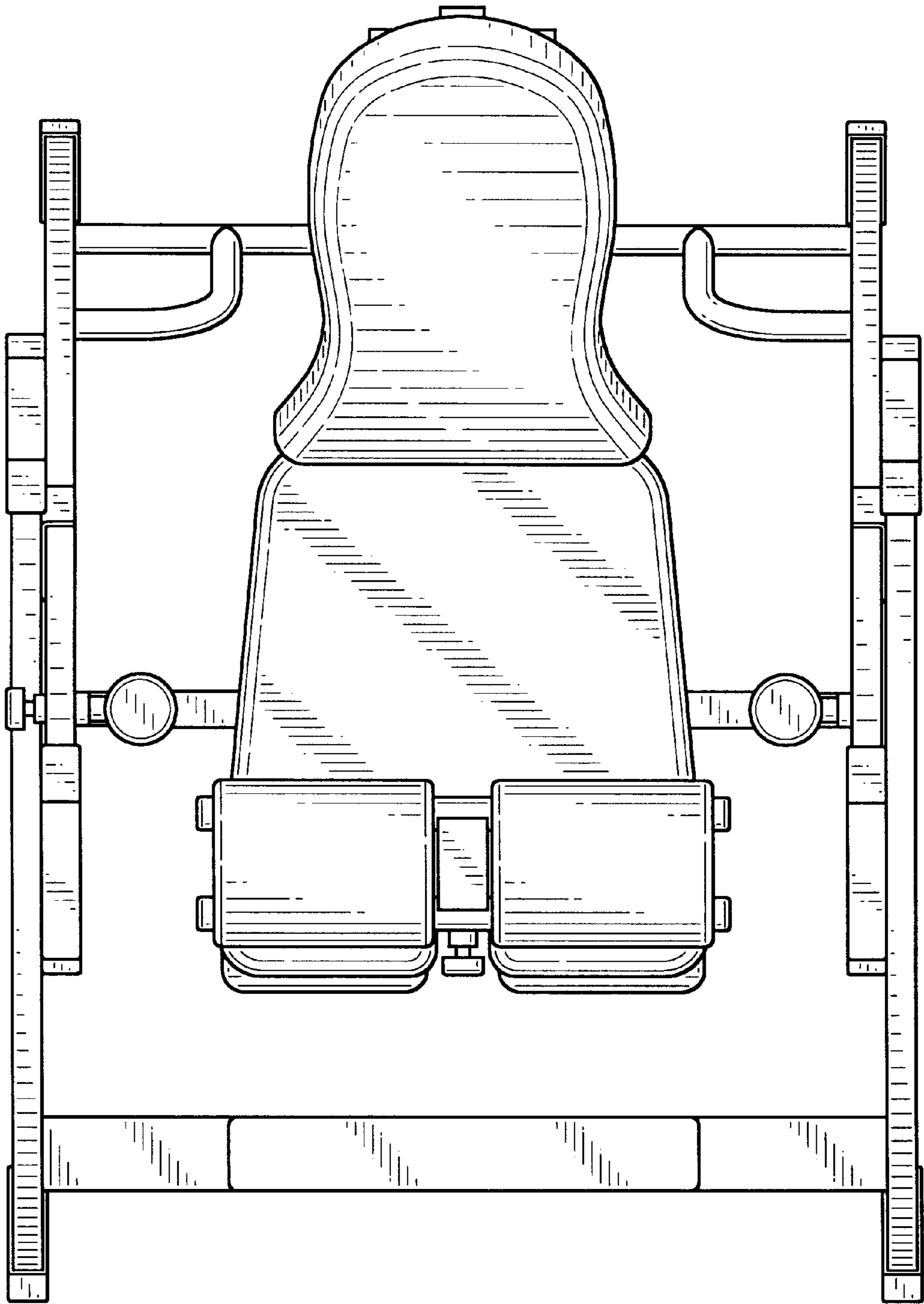


FIG-5

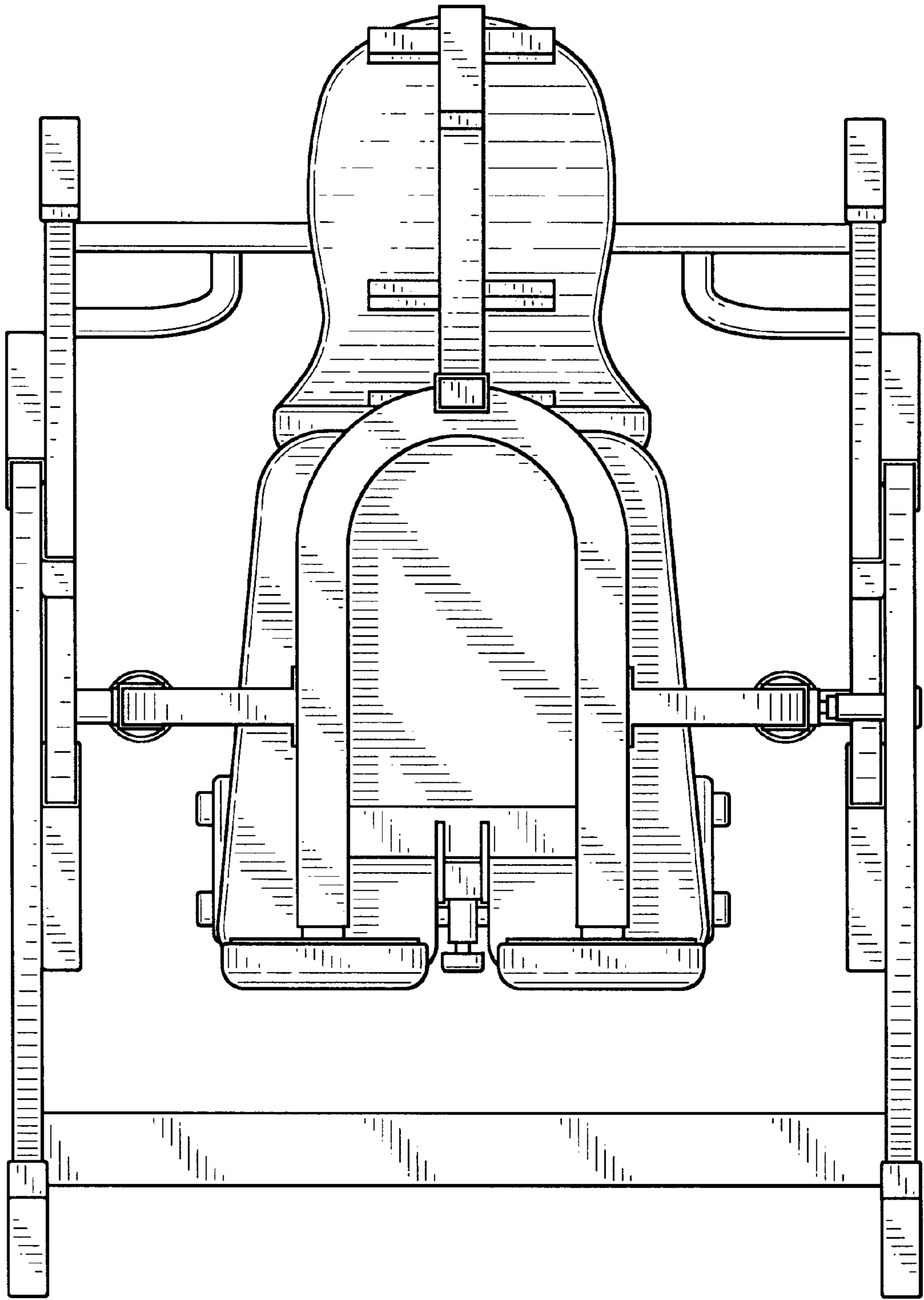


FIG-6

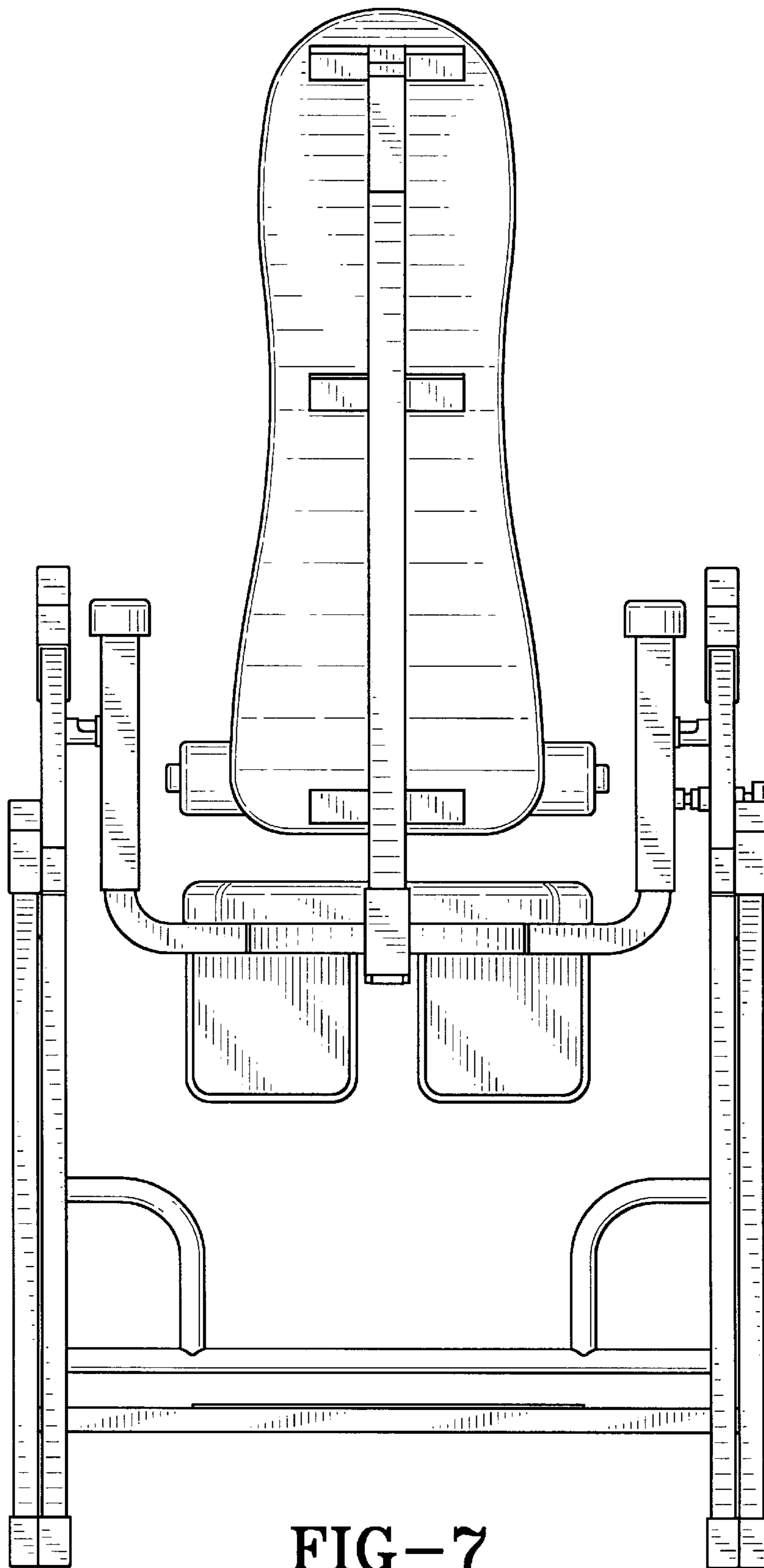


FIG-7