



US00D432596S

# United States Patent [19] Rosen

[11] **Patent Number: Des. 432,596**

[45] **Date of Patent: \*\* Oct. 24, 2000**

[54] **TOY BUS**

D. 309,643 7/1990 Picozza et al. .... D21/552  
D. 347,030 5/1994 Nolan ..... D21/434

[75] Inventor: **Lawrence I. Rosen**, Mendham, N.J.

### OTHER PUBLICATIONS

Fisher Price Catalog, p9, 1993.

[73] Assignee: **Rose Art Industries, Inc.**, Livingston, N.J.

*Primary Examiner*—Raphael Barkai

[\*\*] Term: **14 Years**

*Attorney, Agent, or Firm*—Allen N. Friedman; McCarter & English LLP

[21] Appl. No.: **29/110,596**

### [57] CLAIM

[22] Filed: **Aug. 27, 1999**

The ornamental design for a toy bus, as shown and described.

[51] **LOC (7) Cl.** ..... **21-01**

### DESCRIPTION

[52] **U.S. Cl.** ..... **D21/552**

FIG. 1 is a perspective view of toy bus.  
FIG. 2 is a front elevational view of toy bus.  
FIG. 3 is a side elevational view of toy bus.  
FIG. 4 is a rear elevational view of toy bus.  
FIG. 5 is a top plan view of a toy bus; and,  
FIG. 6 is a bottom view of an article of the invention.

[58] **Field of Search** ..... D21/533, 552-560,  
D21/424-435; 446/465, 470, 93

### [56] References Cited

#### U.S. PATENT DOCUMENTS

D. 219,931 2/1971 Fogarty ..... D21/552  
D. 230,412 2/1974 Salmon ..... D21/552  
D. 245,280 8/1977 Chesler ..... D21/552

**1 Claim, 4 Drawing Sheets**

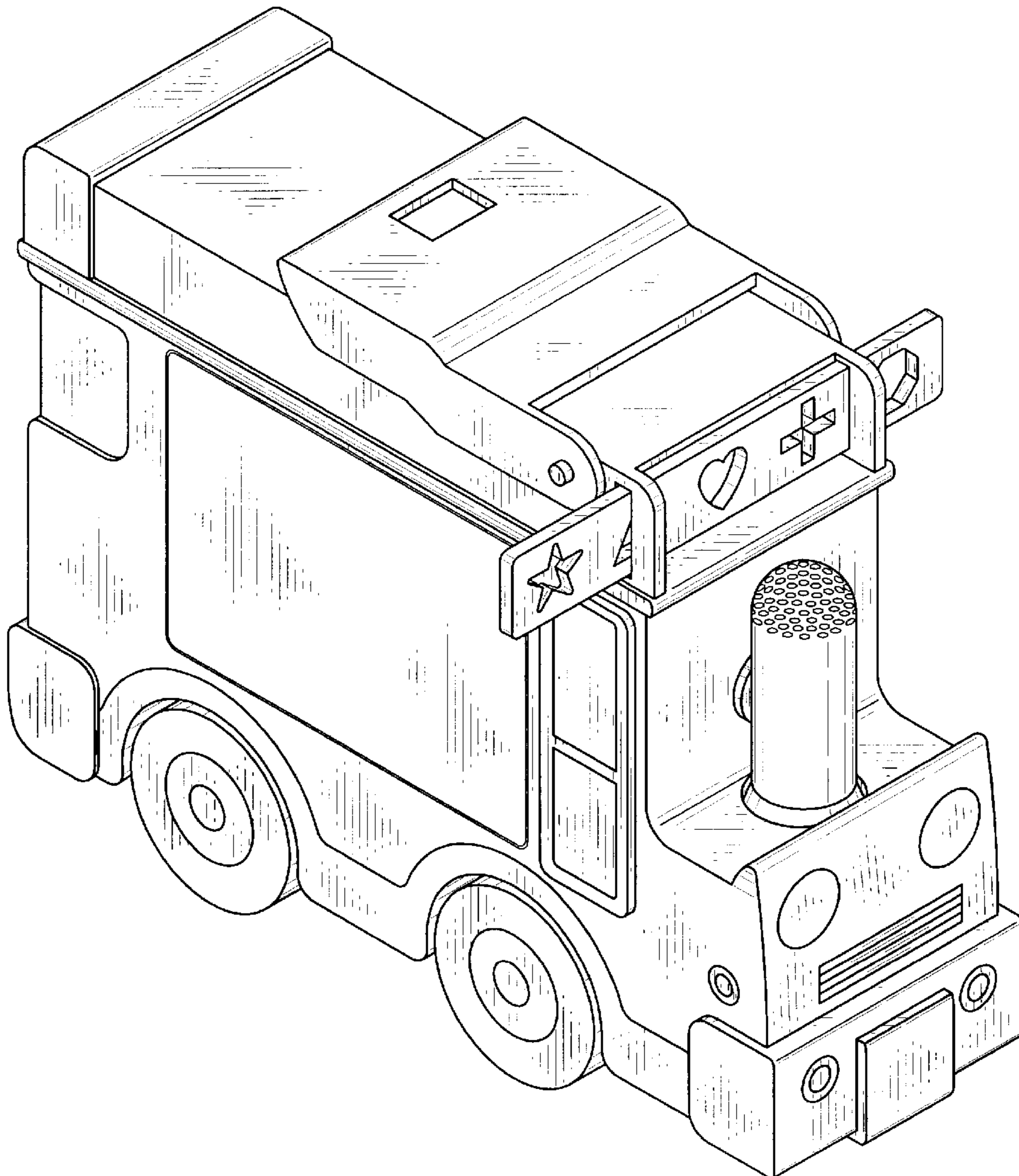


FIG. 1

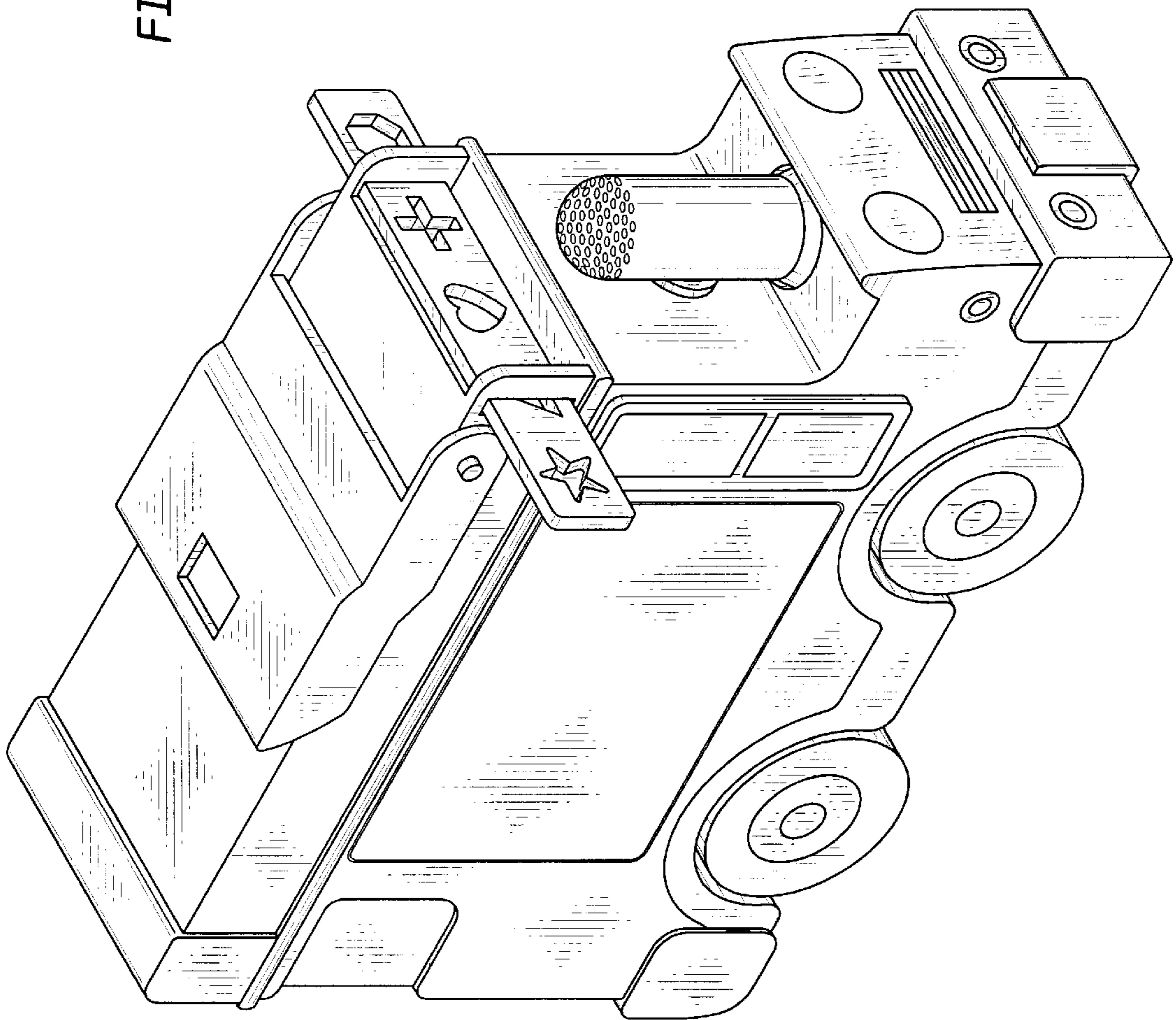


FIG. 3

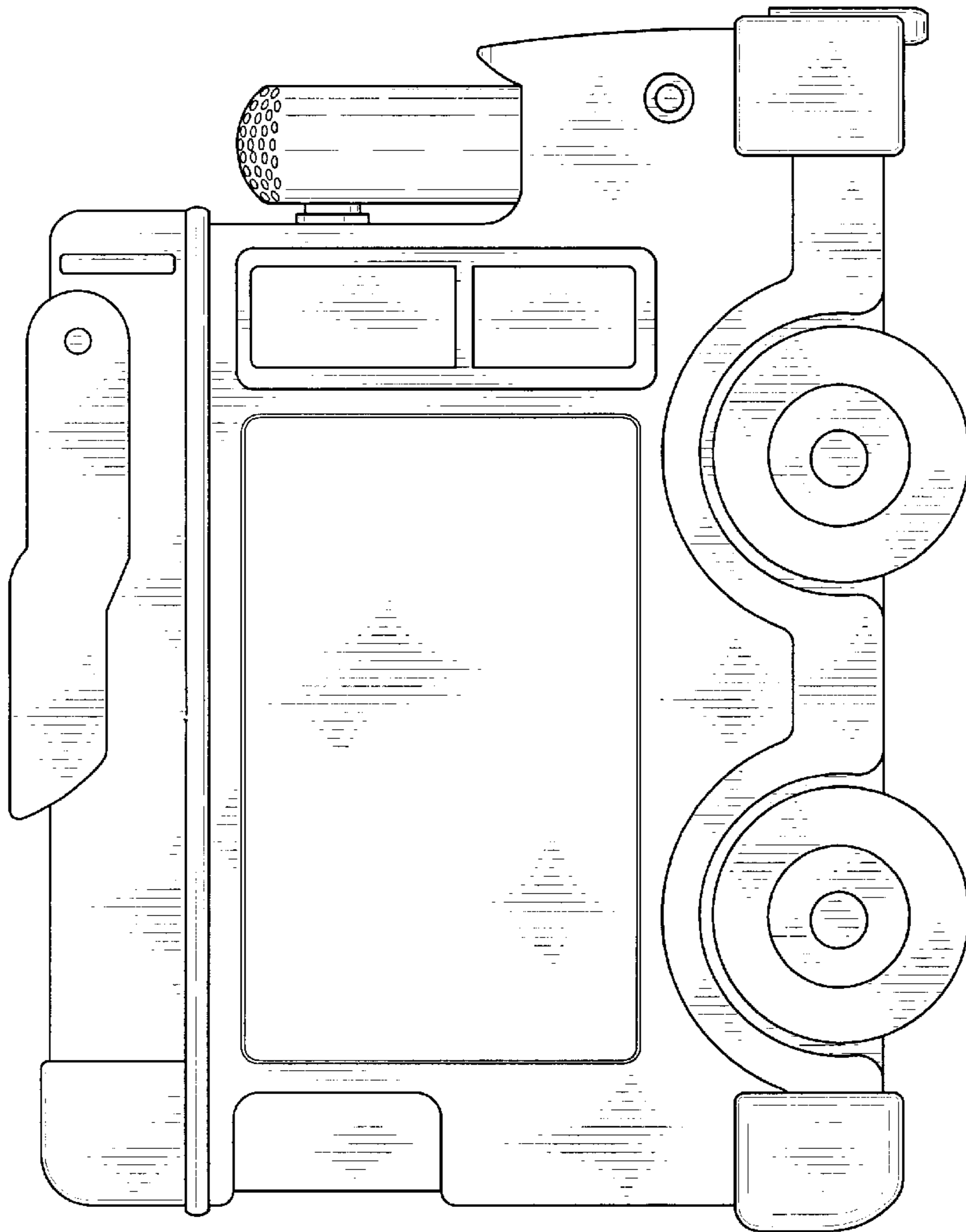


FIG. 2

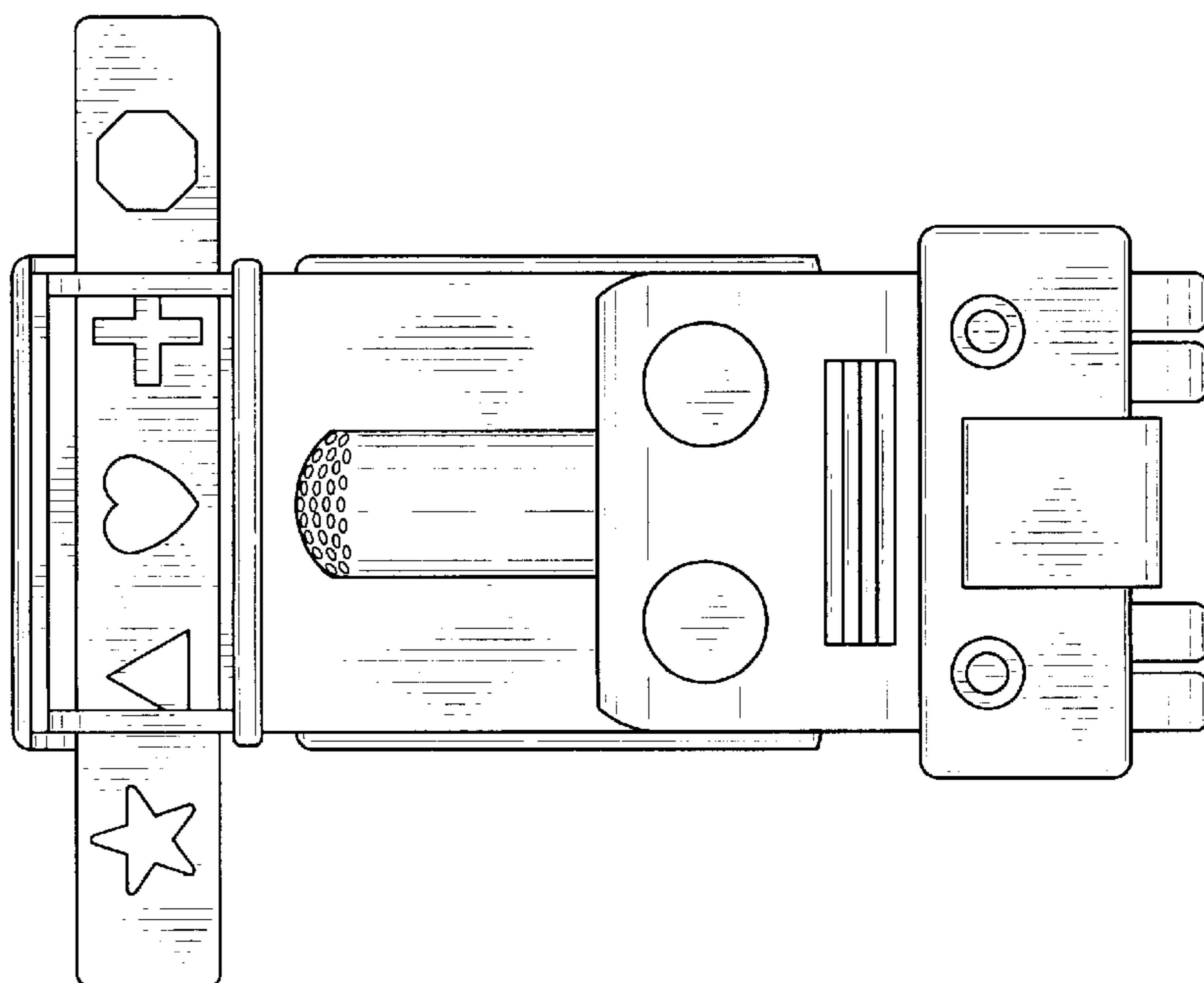


FIG. 5

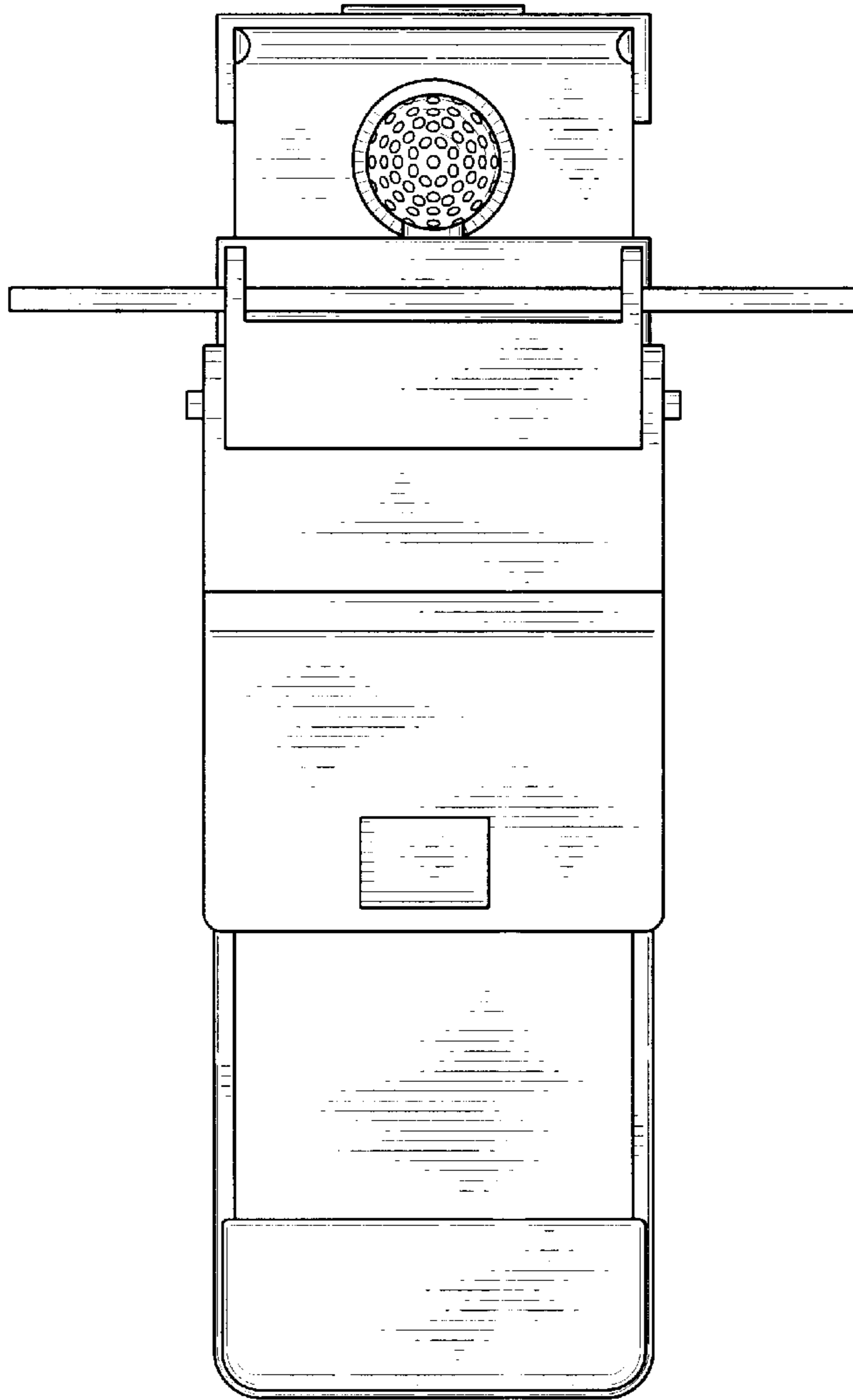


FIG. 4

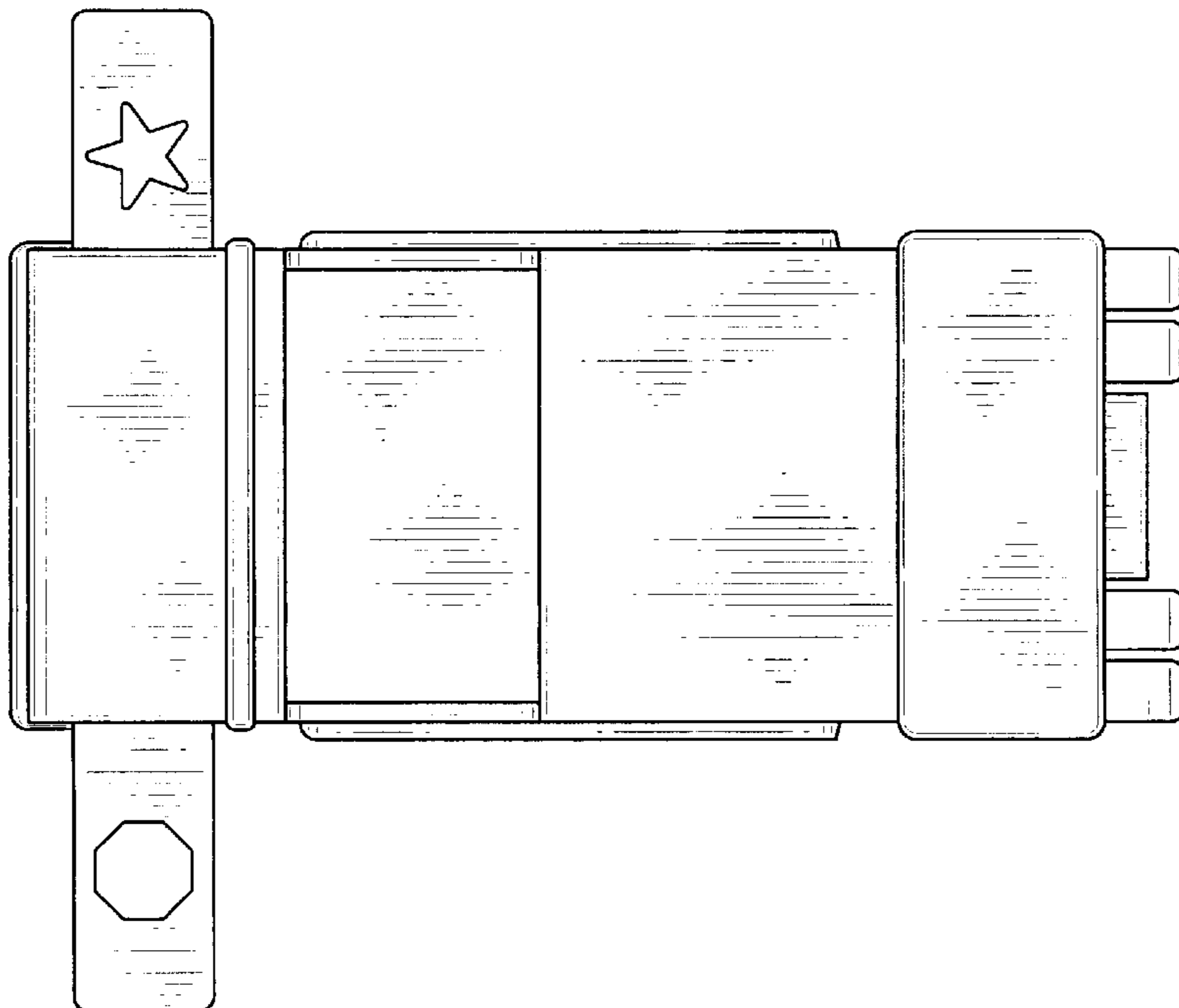


FIG. 6

