



US00D432590S

# United States Patent [19]

Winston

[11] Patent Number: Des. 432,590

[45] Date of Patent: \*\* Oct. 24, 2000

[54] MULTI-PURPOSE BABY FURNITURE

[76] Inventor: **Martin James Winston**, 8  
Graig-Y-Darren, Godregraig, Swansea,  
Wales, United Kingdom, SA9 2DW

[\*\*] Term: **14 Years**

[21] Appl. No.: **29/087,321**

[22] Filed: **Apr. 30, 1998**

[51] LOC (7) Cl. .... **21-01**

[52] U.S. Cl. .... **D21/476**

[58] Field of Search ..... D21/475, 476;  
446/227, 228; 482/86

[56] **References Cited**

**U.S. PATENT DOCUMENTS**

D. 144,582	4/1946	Rassnick	.....	D21/476
D. 182,154	2/1958	Allen et al.	.....	D21/476
D. 245,638	8/1977	Hagland-Ahrnborg	.....	D21/476
D. 300,333	3/1989	Thomson et al.	.....	D21/476
D. 387,814	12/1997	Chow et al.	.....	D21/475
3,085,610	4/1963	Vardan	.....	446/227

Primary Examiner—Dominic Simone

[57] **CLAIM**

The ornamental design for multi-purpose baby furniture, as shown and described.

**DESCRIPTION**

FIG. 1 is a view of the front face of the multi-purpose baby furniture

FIG. 2 is a view of the reverse face of the multi-purpose baby furniture

FIG. 3 is a view of the right face of the multi-purpose baby furniture

FIG. 4 is a view of the left face of the multi-purpose baby furniture

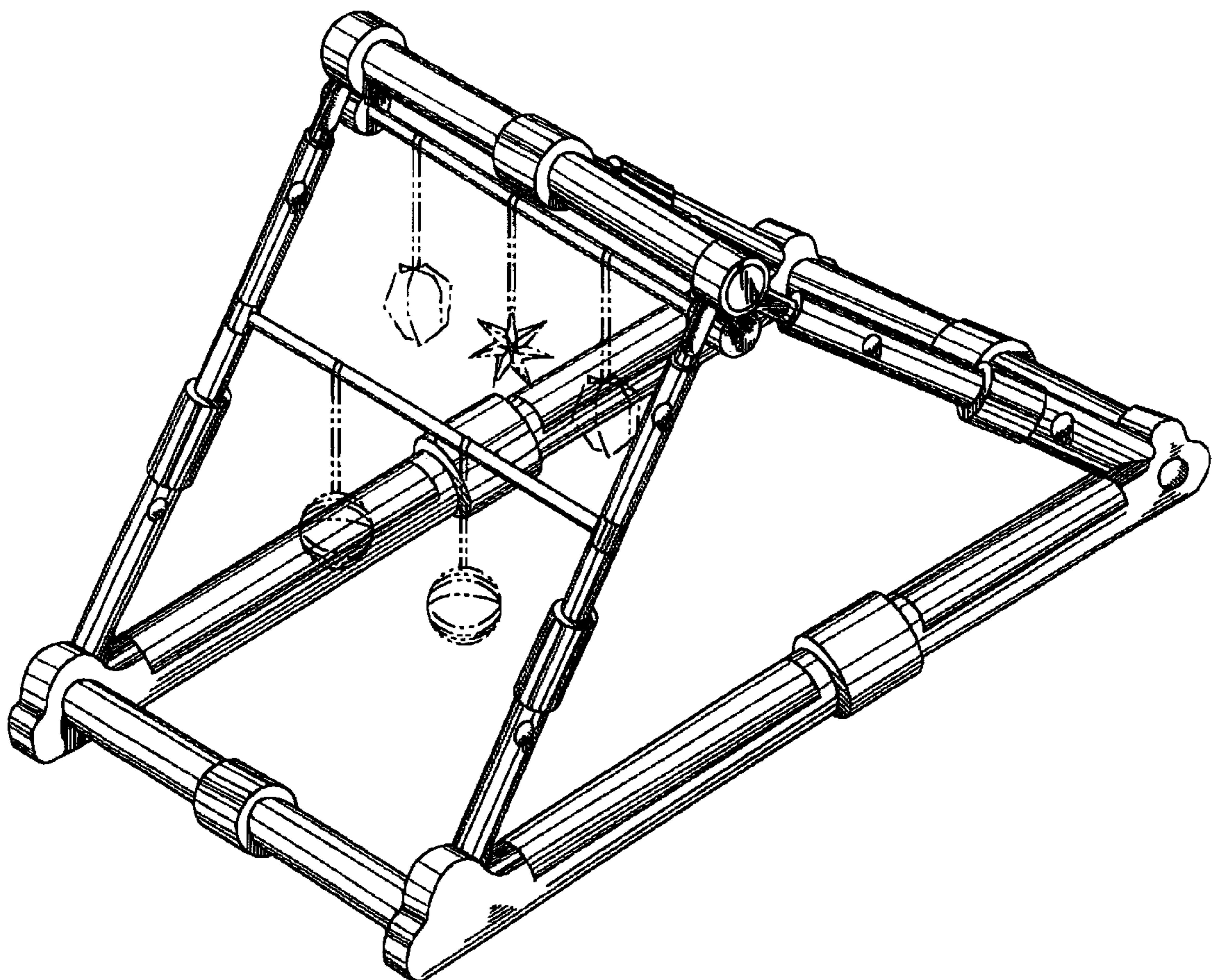
FIG. 5 is a view of the top face of the multi-purpose baby furniture

FIG. 6 is a view of the bottom face of the multi-purpose baby furniture; and,

FIG. 7 is an isometric view of the multi-purpose baby furniture.

The toys shown in broken lines are for illustrative purposes only and form no part of the claimed design.

**1 Claim, 7 Drawing Sheets**



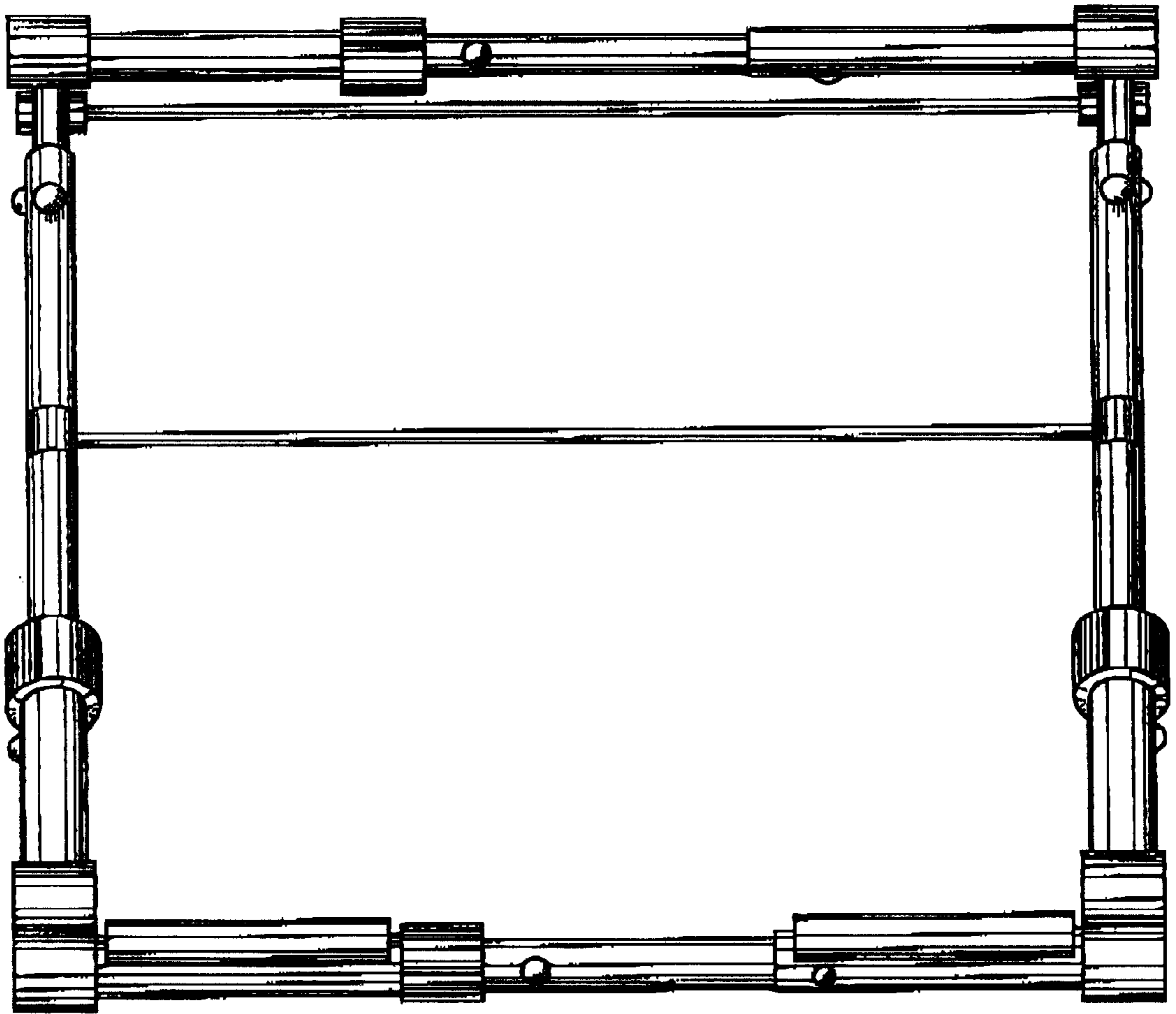


Fig. 1

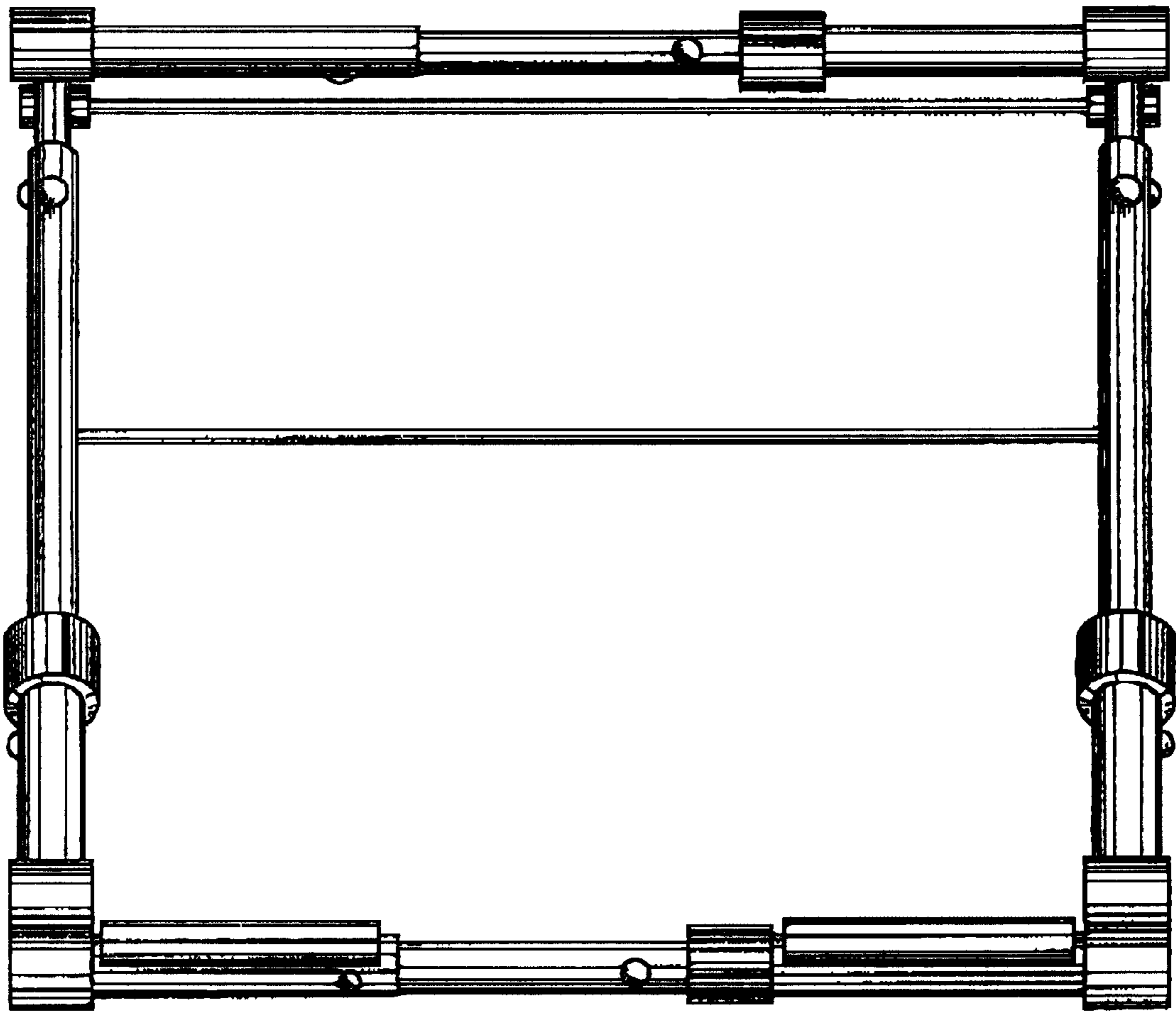
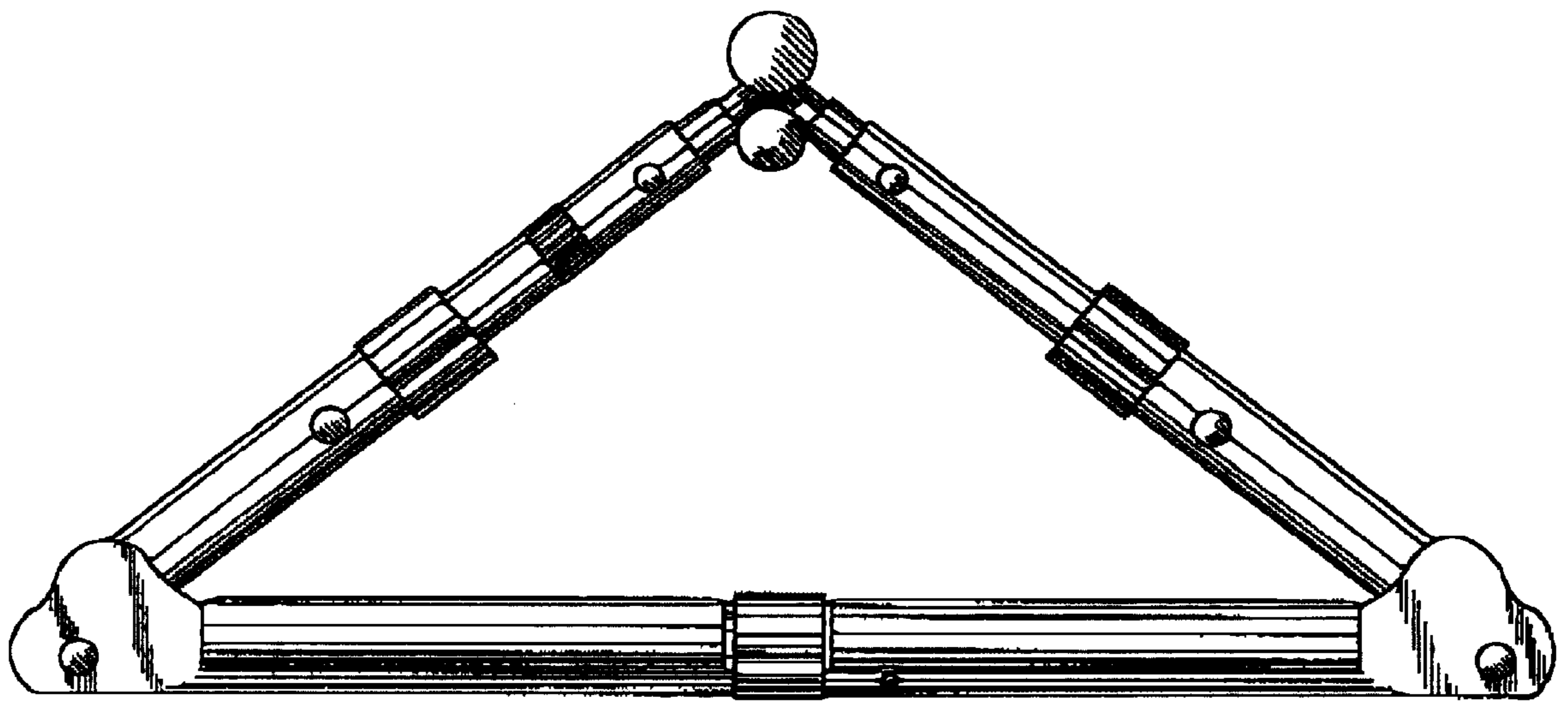
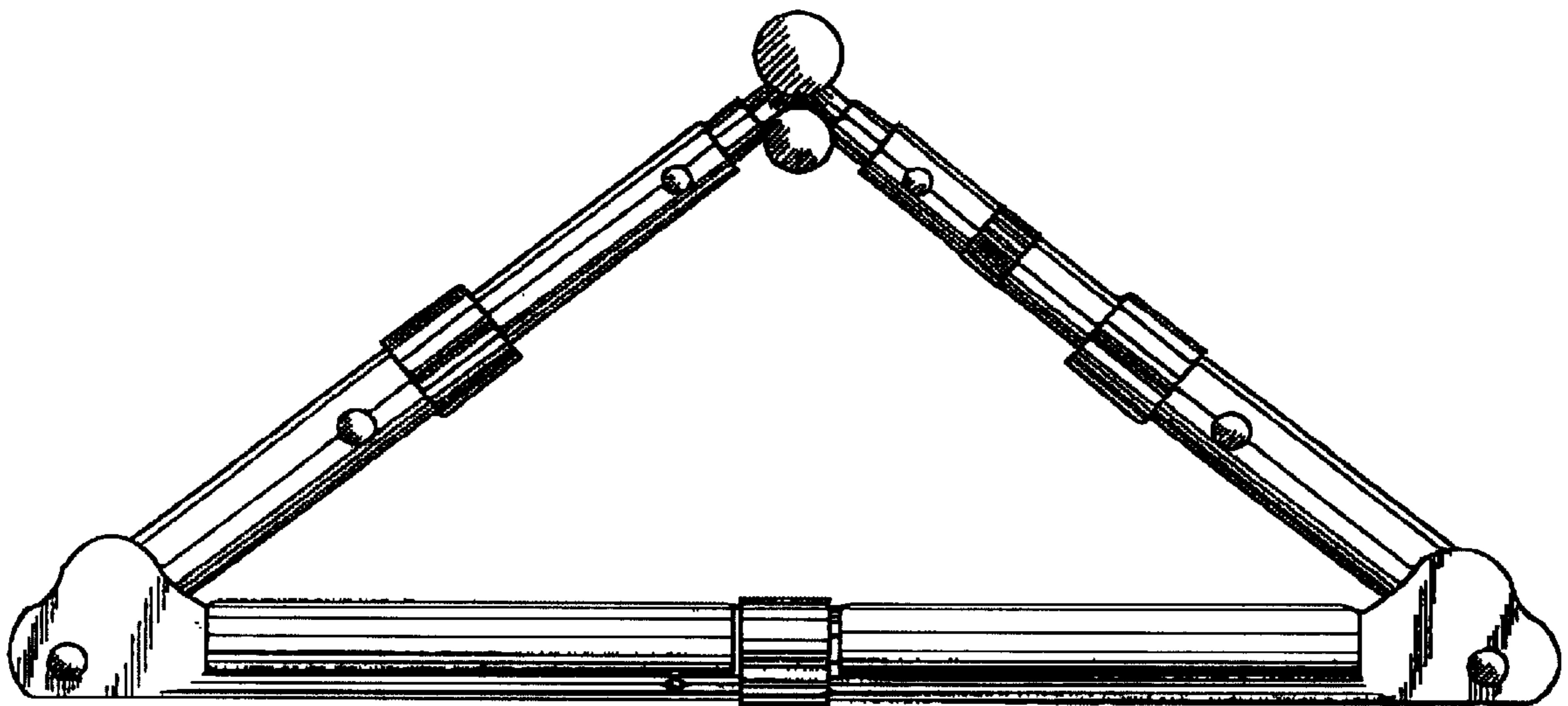


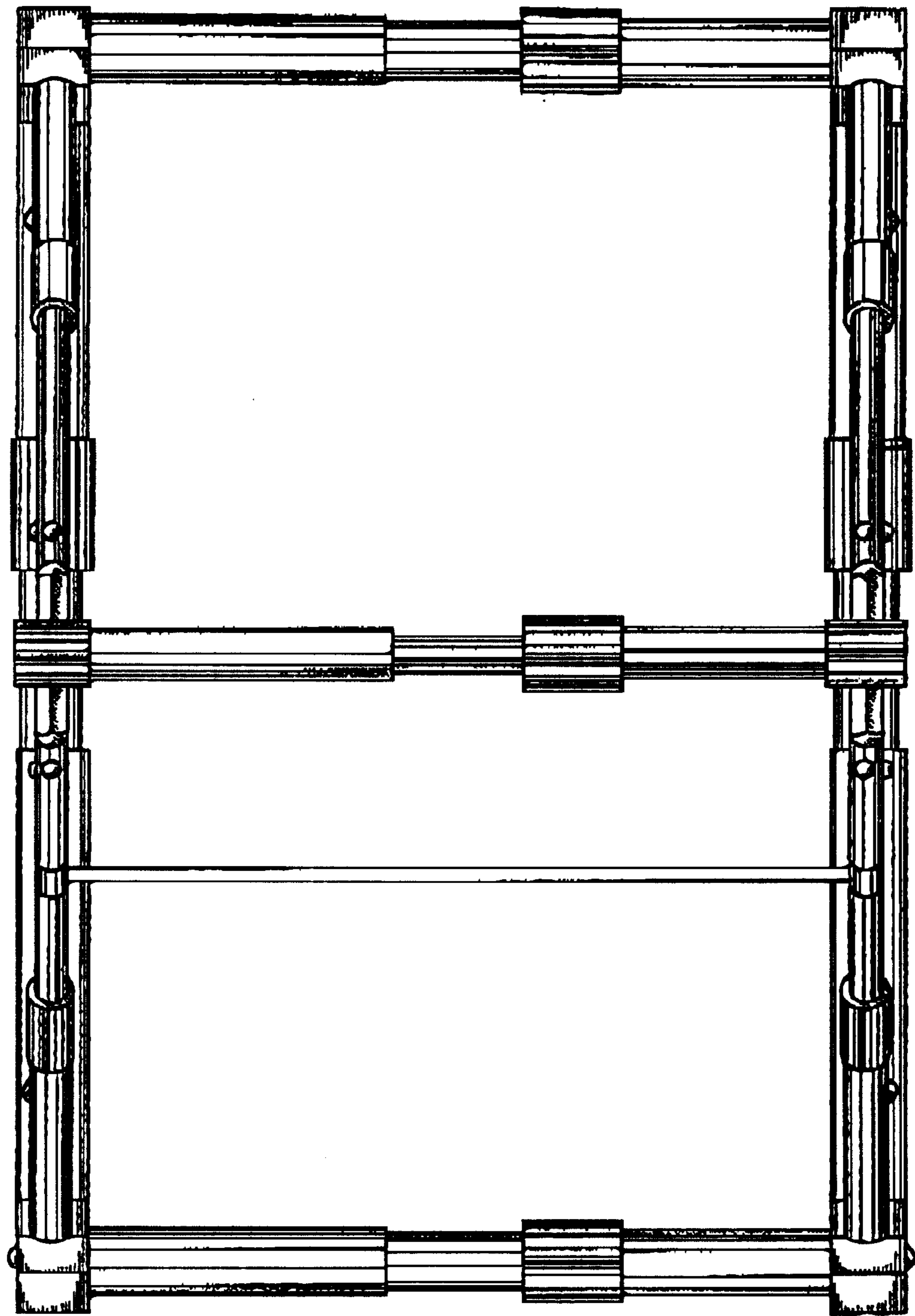
Fig. 2



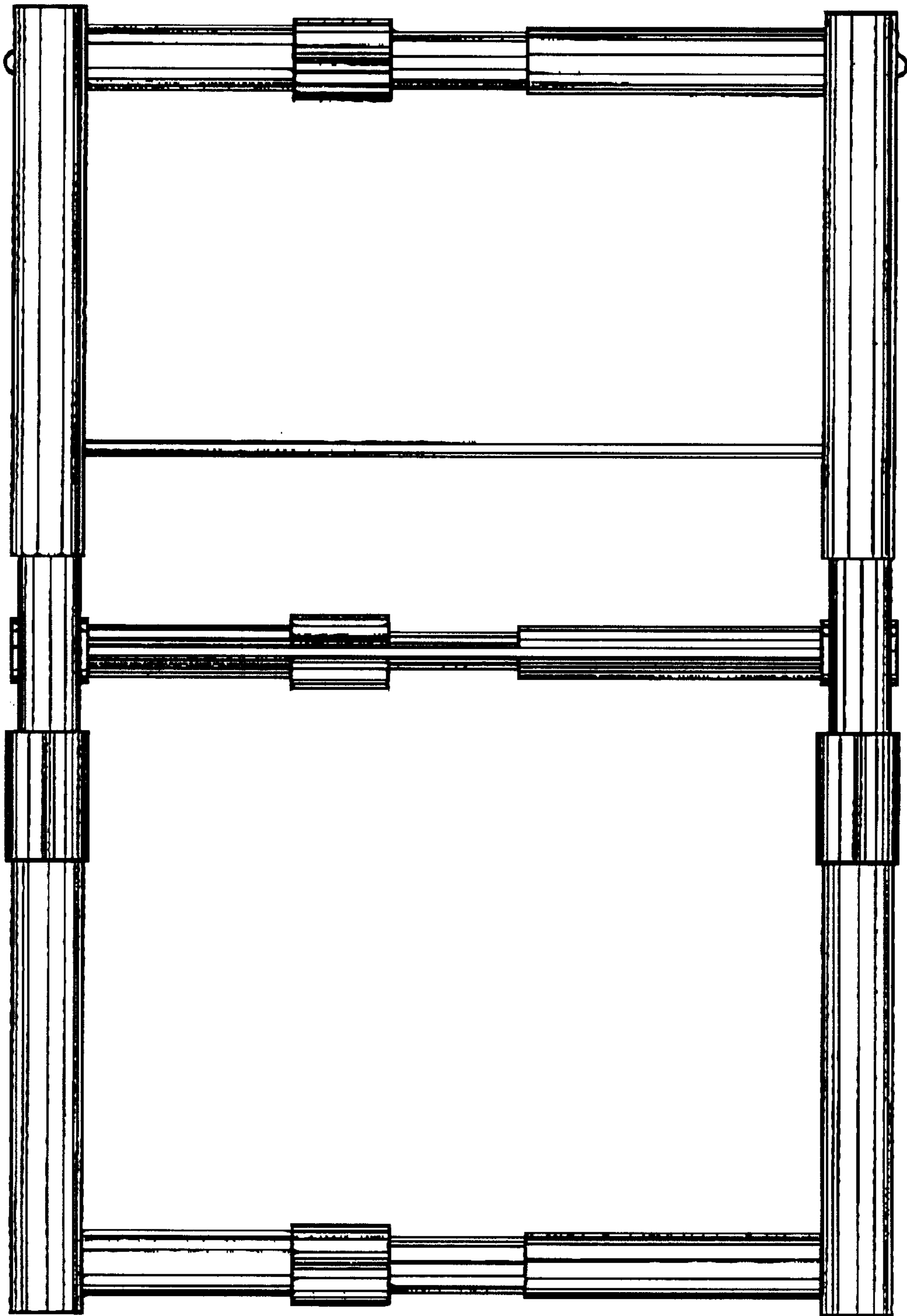
**Fig. 3**



**Fig. 4**



**Fig. 5**



**Fig. 6**

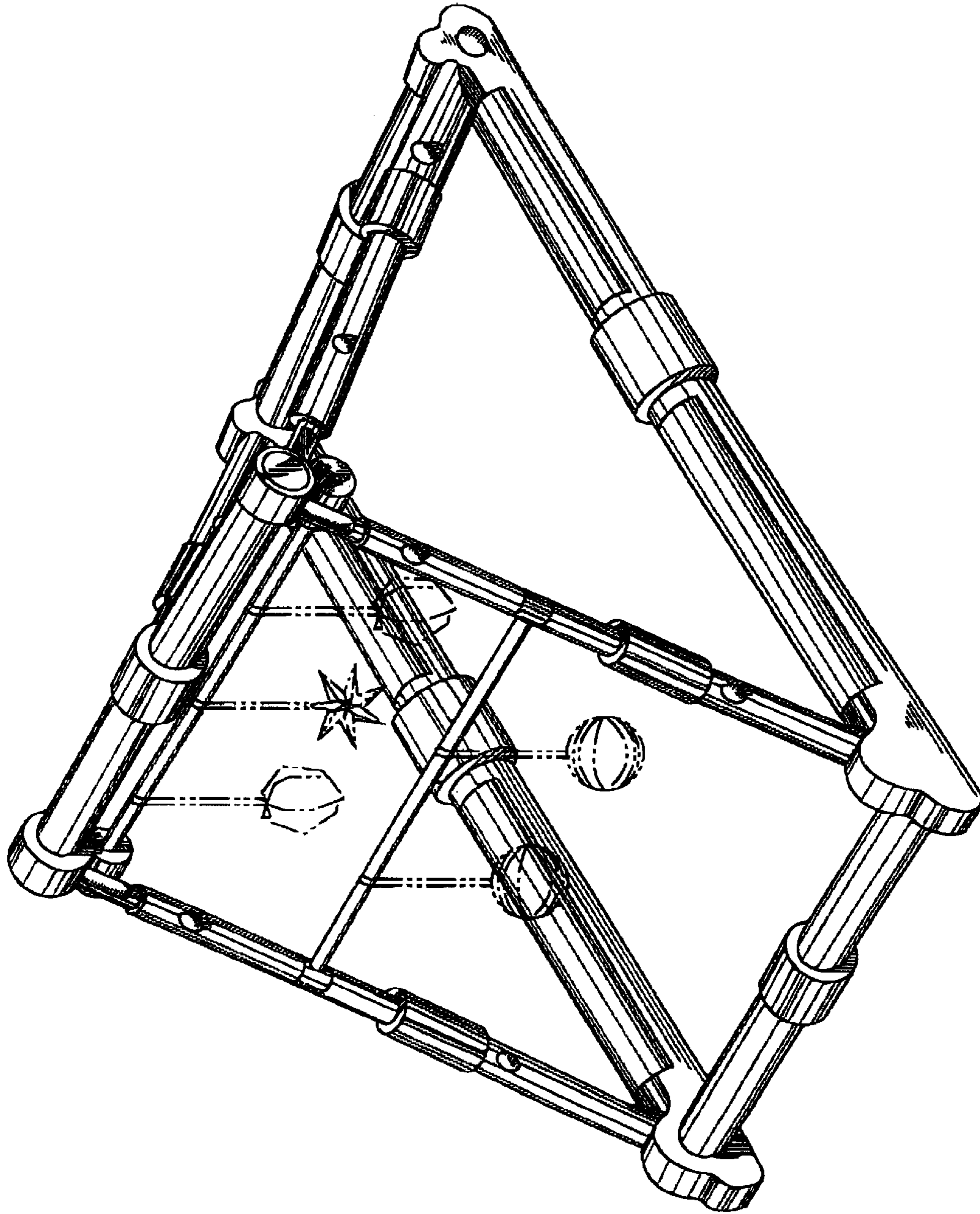


Fig. 7