



US00D432589S

United States Patent [19] Hill

[11] **Patent Number: Des. 432,589**

[45] **Date of Patent: ** Oct. 24, 2000**

[54] **CARD SHOE DESIGN**

[75] Inventor: **Otho D. Hill**, Las Vegas, Nev.

[73] Assignee: **Smart Shoes, Inc.**, Las Vegas, Nev.

[**] Term: **14 Years**

[21] Appl. No.: **29/110,818**

[22] Filed: **Sep. 14, 1999**

[51] **LOC (7) Cl.** **21-01**

[52] **U.S. Cl.** **D21/396**

[58] **Field of Search** D21/392-396;
273/148 R, 148 A, 149 R, 149 P, 150, 151

[56] **References Cited**

U.S. PATENT DOCUMENTS

D. 132,360	5/1942	Gardner	D21/392
D. 274,069	5/1984	Fromm	D21/392
4,549,738	10/1985	Greitzer	273/148 A
4,750,743	6/1988	Nicoletti	273/148 A
4,969,648	11/1990	Hollinger et al.	273/149 R
5,356,145	10/1994	Verschoor	273/149 R
5,374,061	12/1994	Albrecht	273/149 R

Primary Examiner—Sandra L. Morris

Attorney, Agent, or Firm—Flehr Hohbach Test Albritton & Herbert LLP

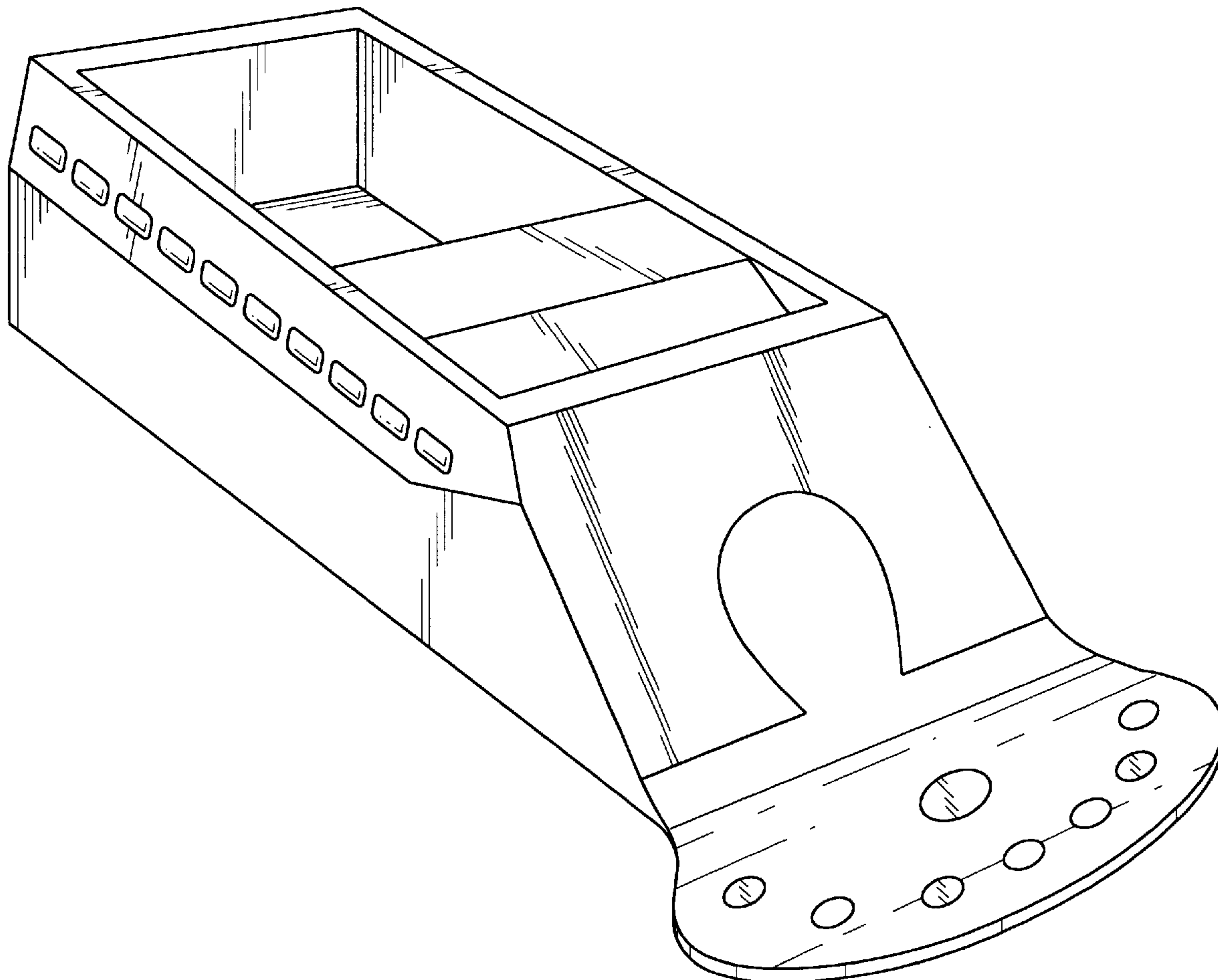
[57] **CLAIM**

The ornamental design for a card shoe design, as shown and described.

DESCRIPTION

FIG. 1 is a perspective view of a first embodiment of a card shoe design showing my new design;
 FIG. 2 is a top view thereof;
 FIG. 3 is a left side view thereof;
 FIG. 4 is a right side view thereof;
 FIG. 5 is a bottom thereof;
 FIG. 6 is a front view thereof;
 FIG. 7 is a back view thereof;
 FIG. 8 is a perspective view of a second embodiment of a card shoe design showing my new design;
 FIG. 9 is a top view thereof;
 FIG. 10 is a left side view thereof;
 FIG. 11 is a right side view thereof;
 FIG. 12 is a bottom thereof;
 FIG. 13 is a front view thereof; and,
 FIG. 14 is a back view thereof.

1 Claim, 8 Drawing Sheets



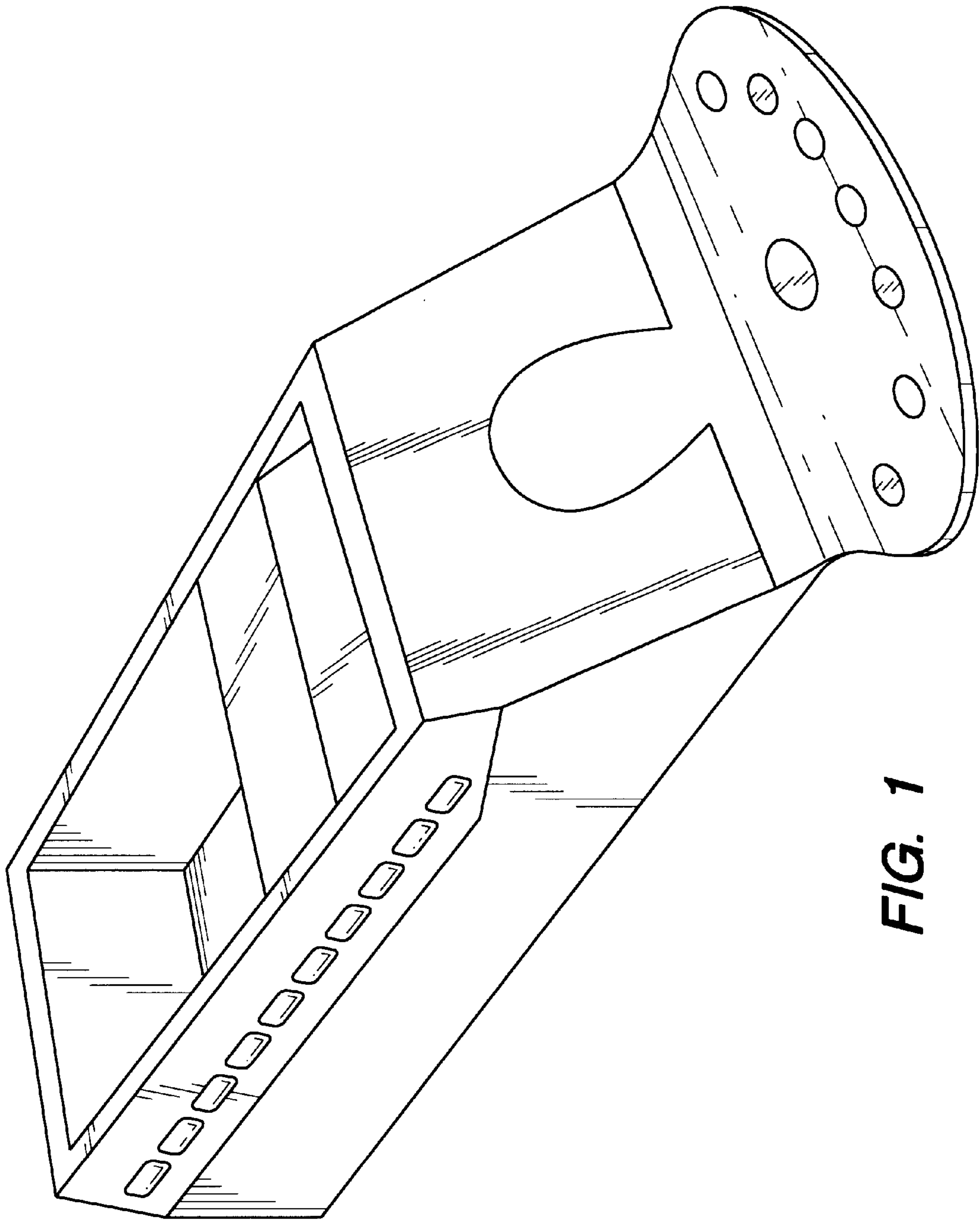


FIG. 1

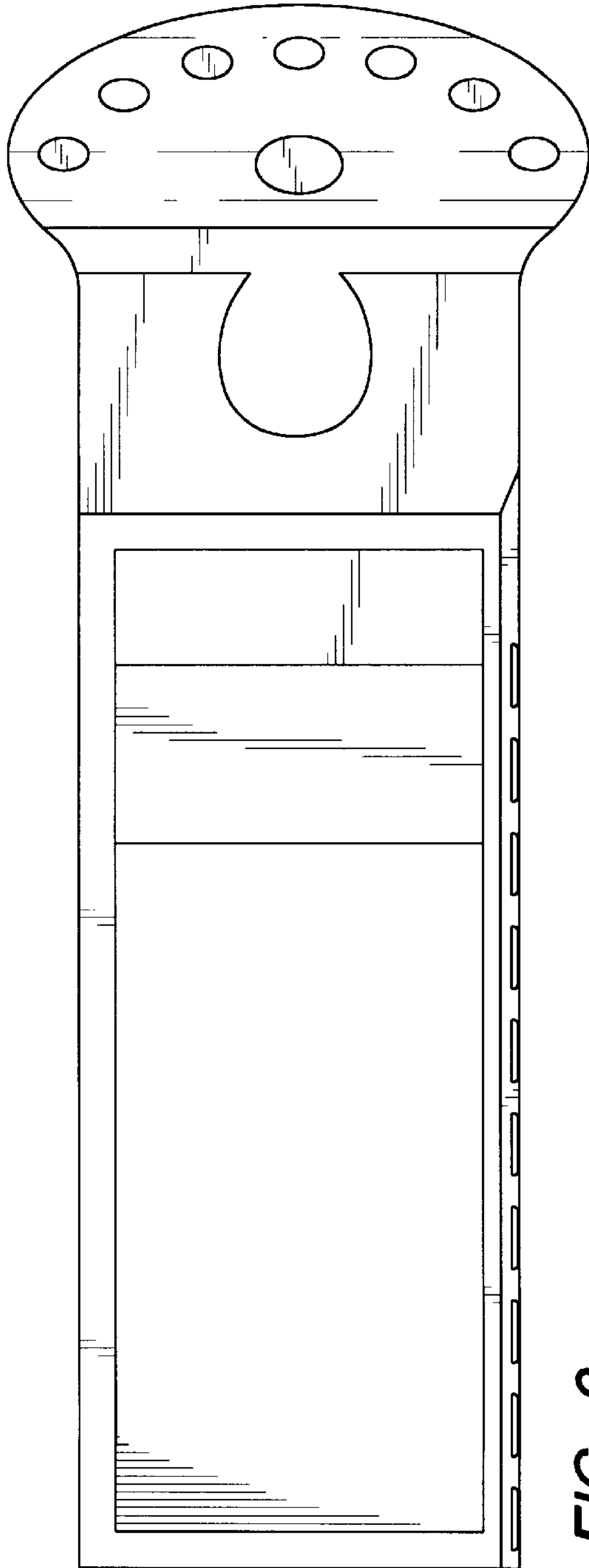


FIG. 2

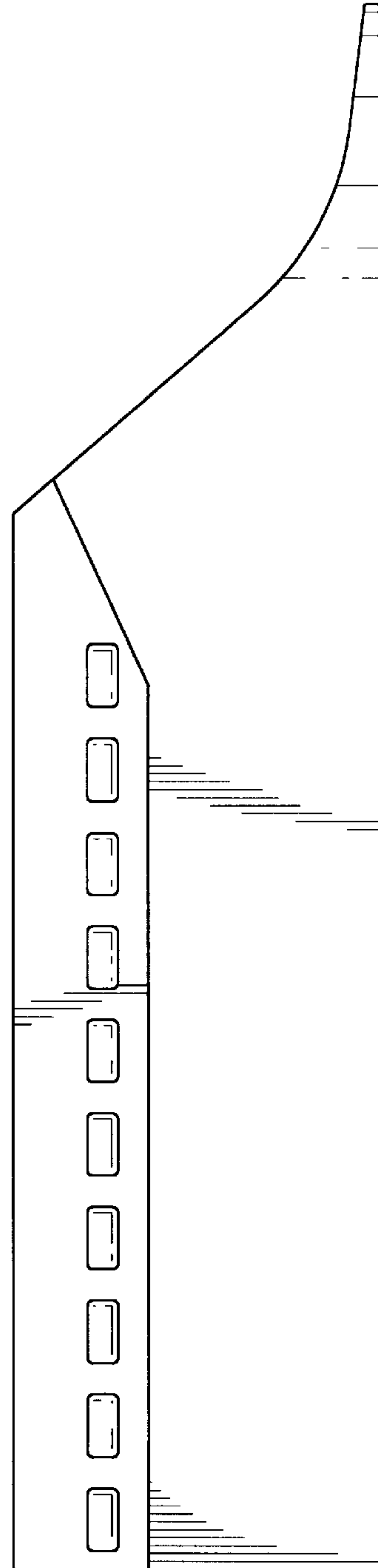


FIG. 3

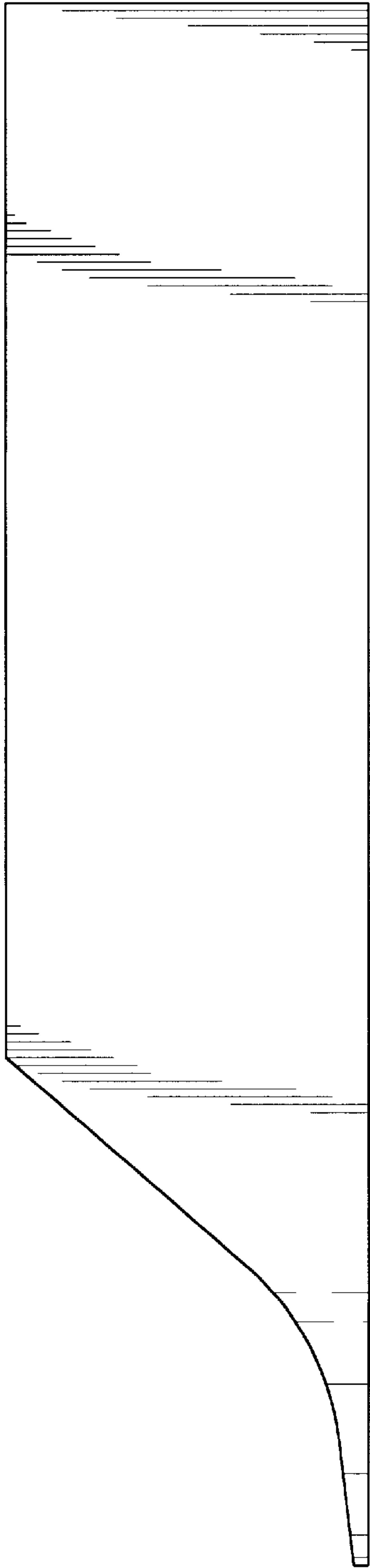


FIG. 4

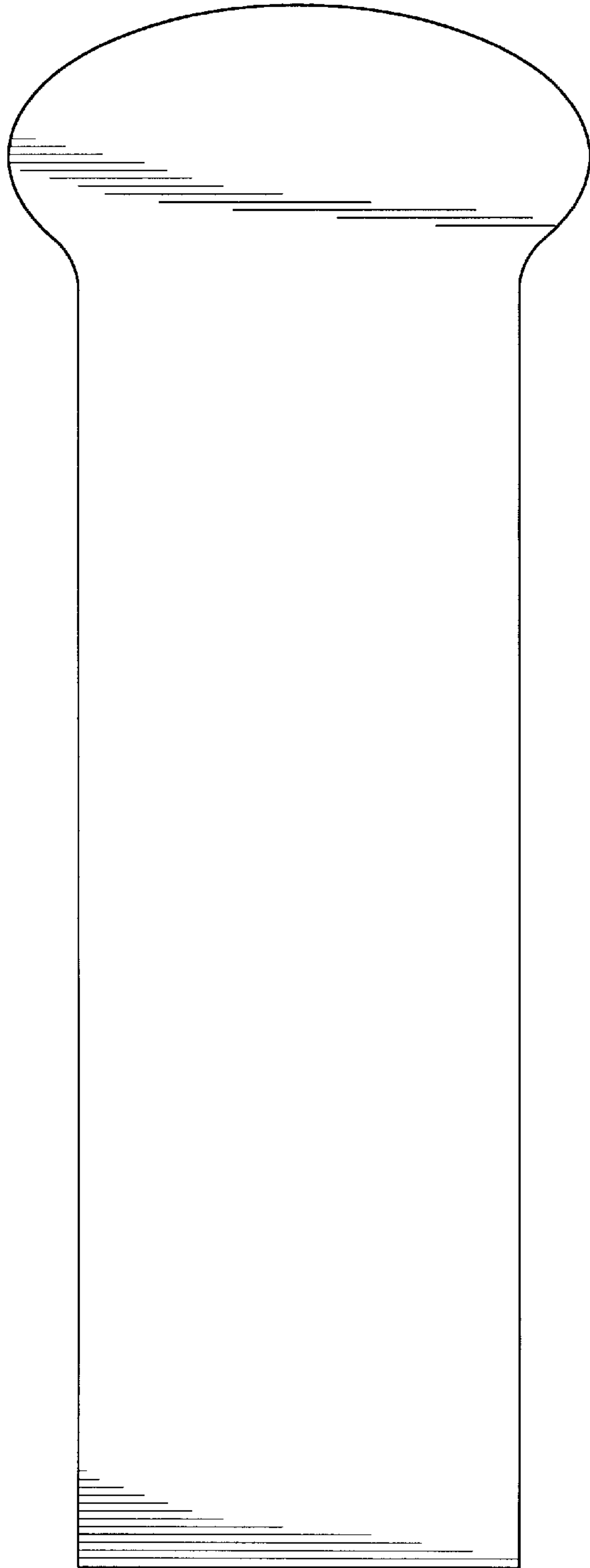


FIG. 5

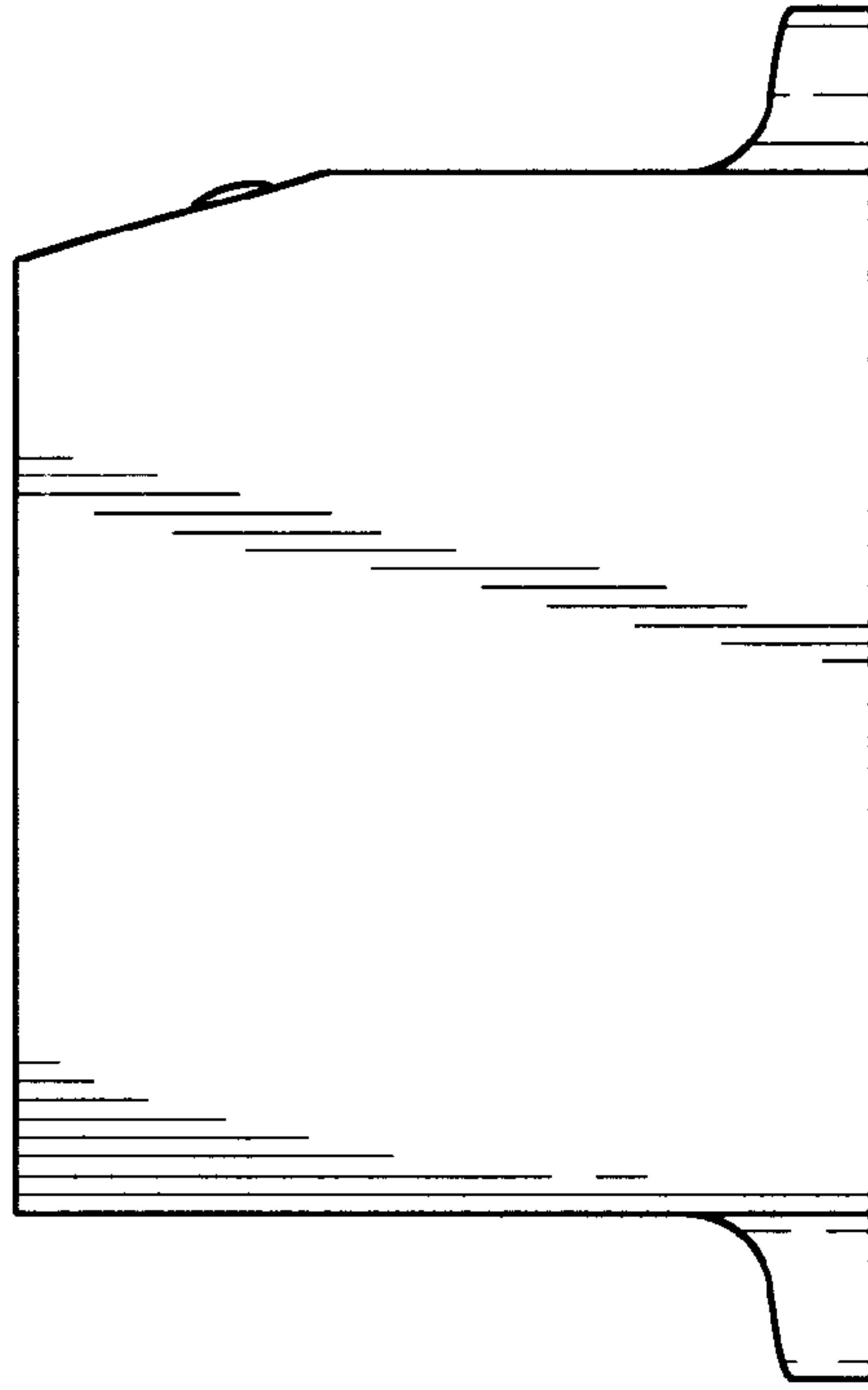


FIG. 7

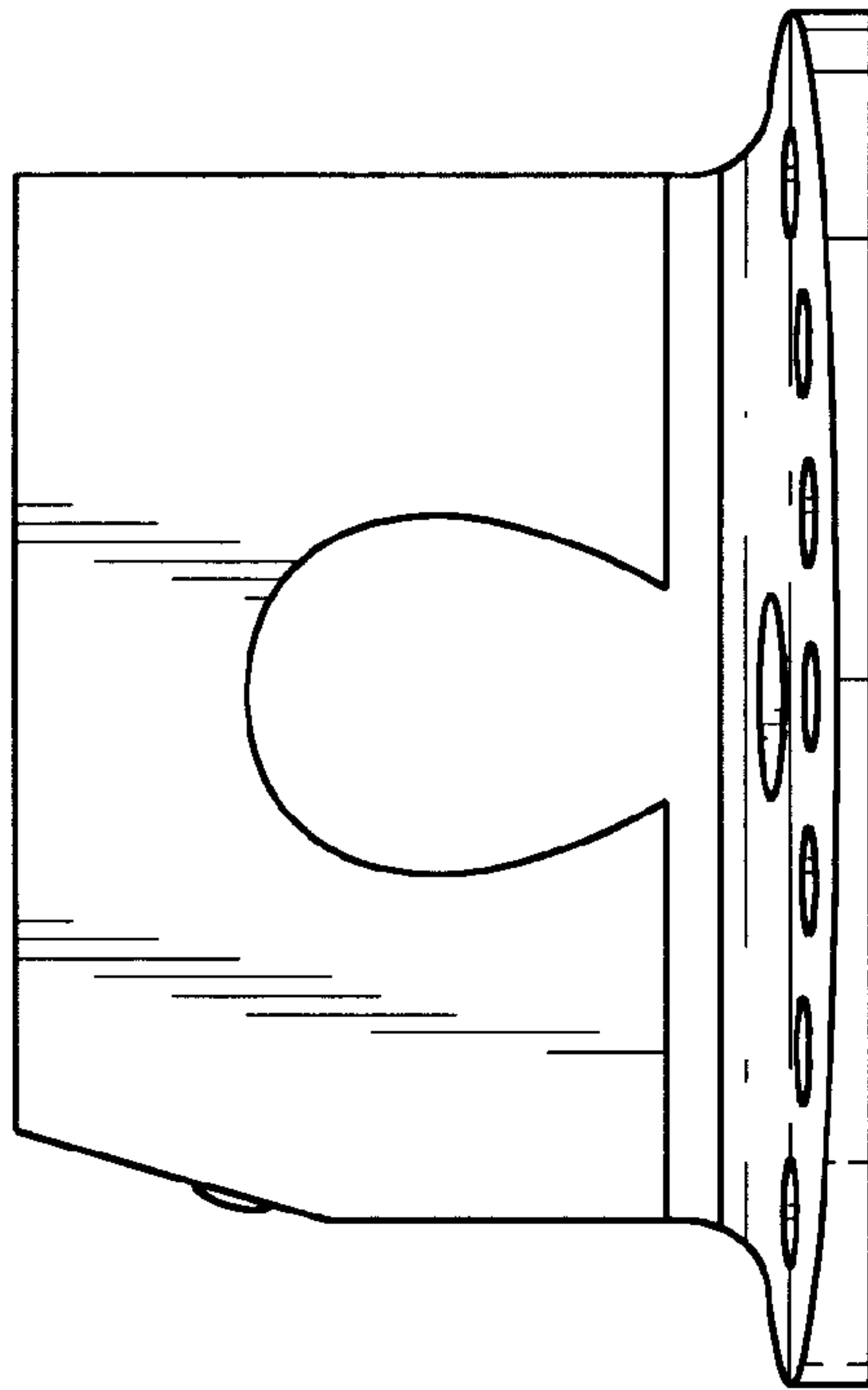


FIG. 6

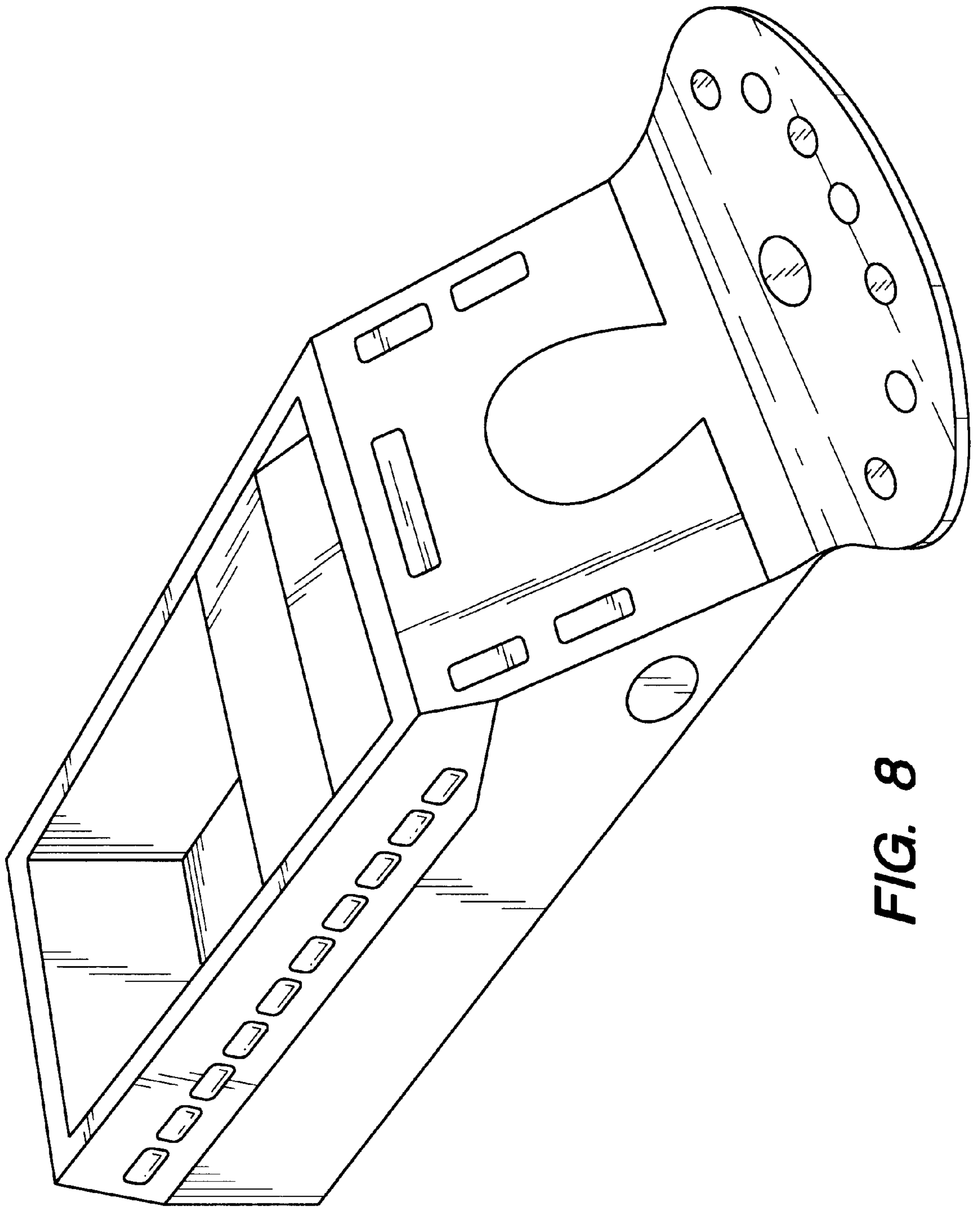


FIG. 8

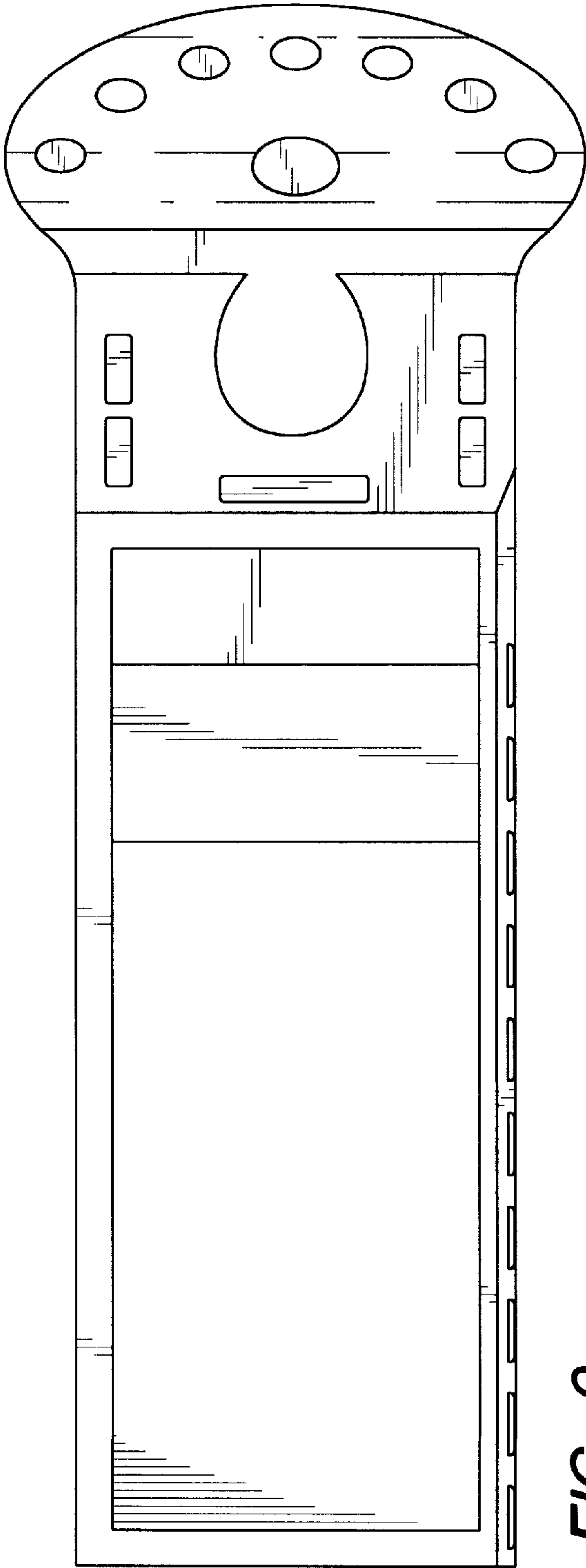


FIG. 9

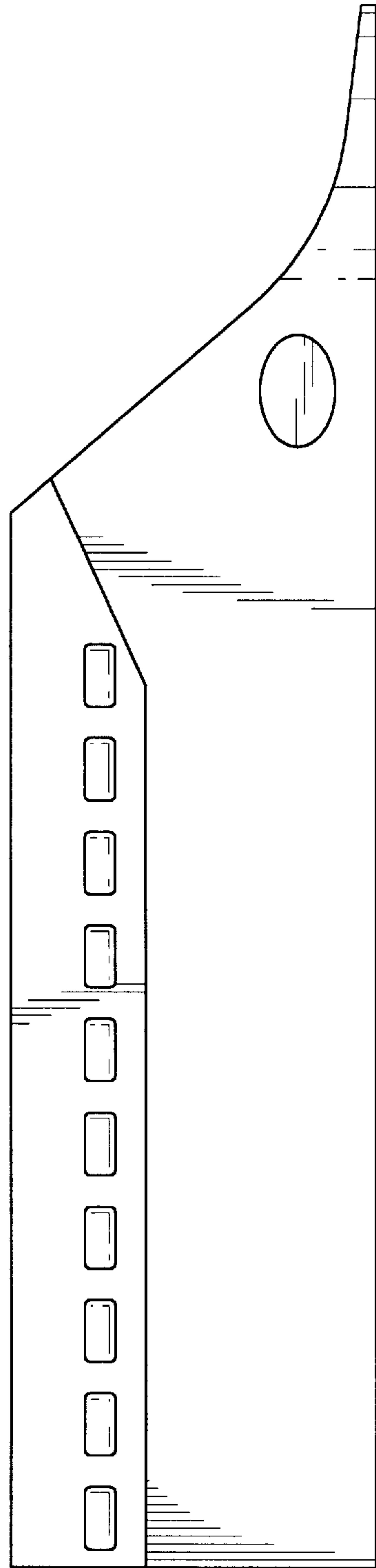


FIG. 10

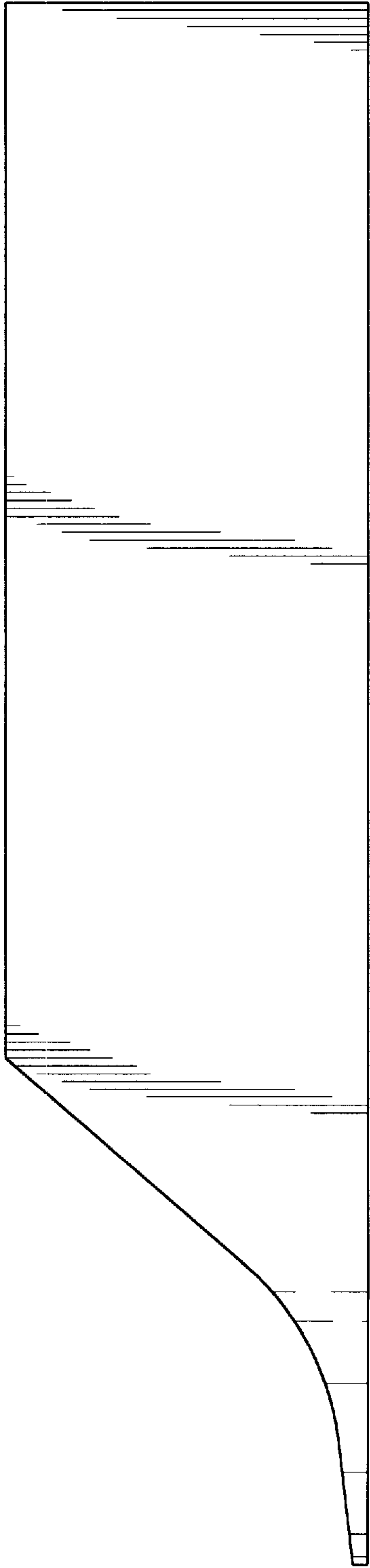


FIG. 11

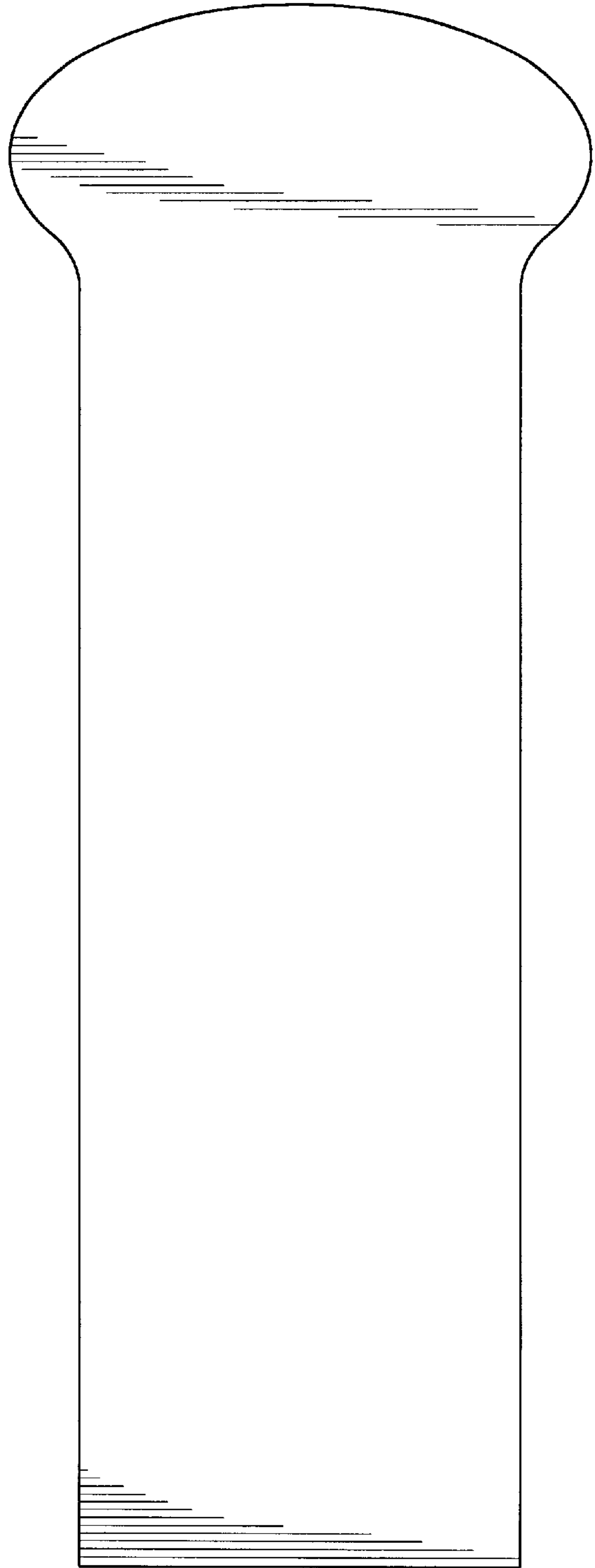


FIG. 12

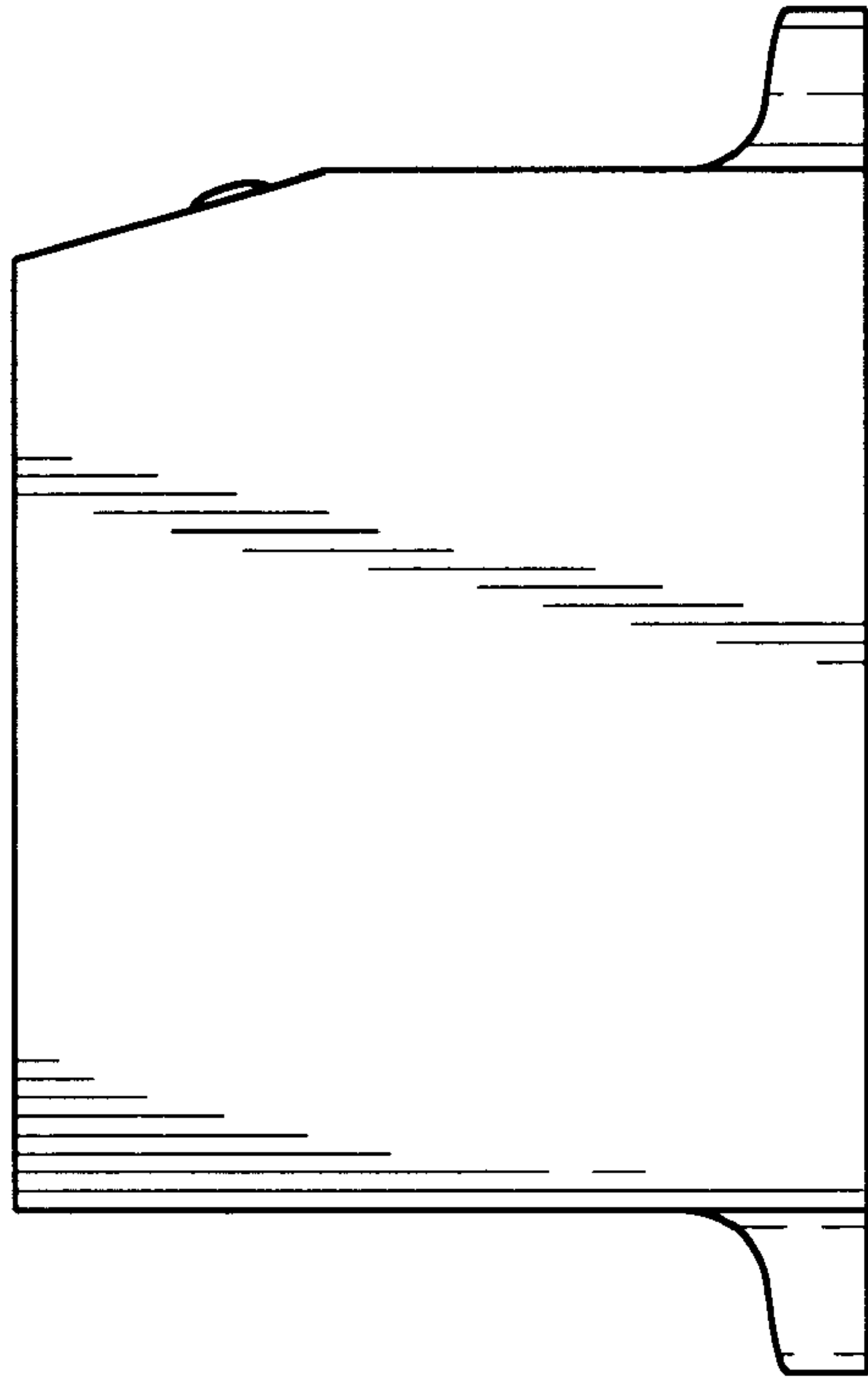


FIG. 14

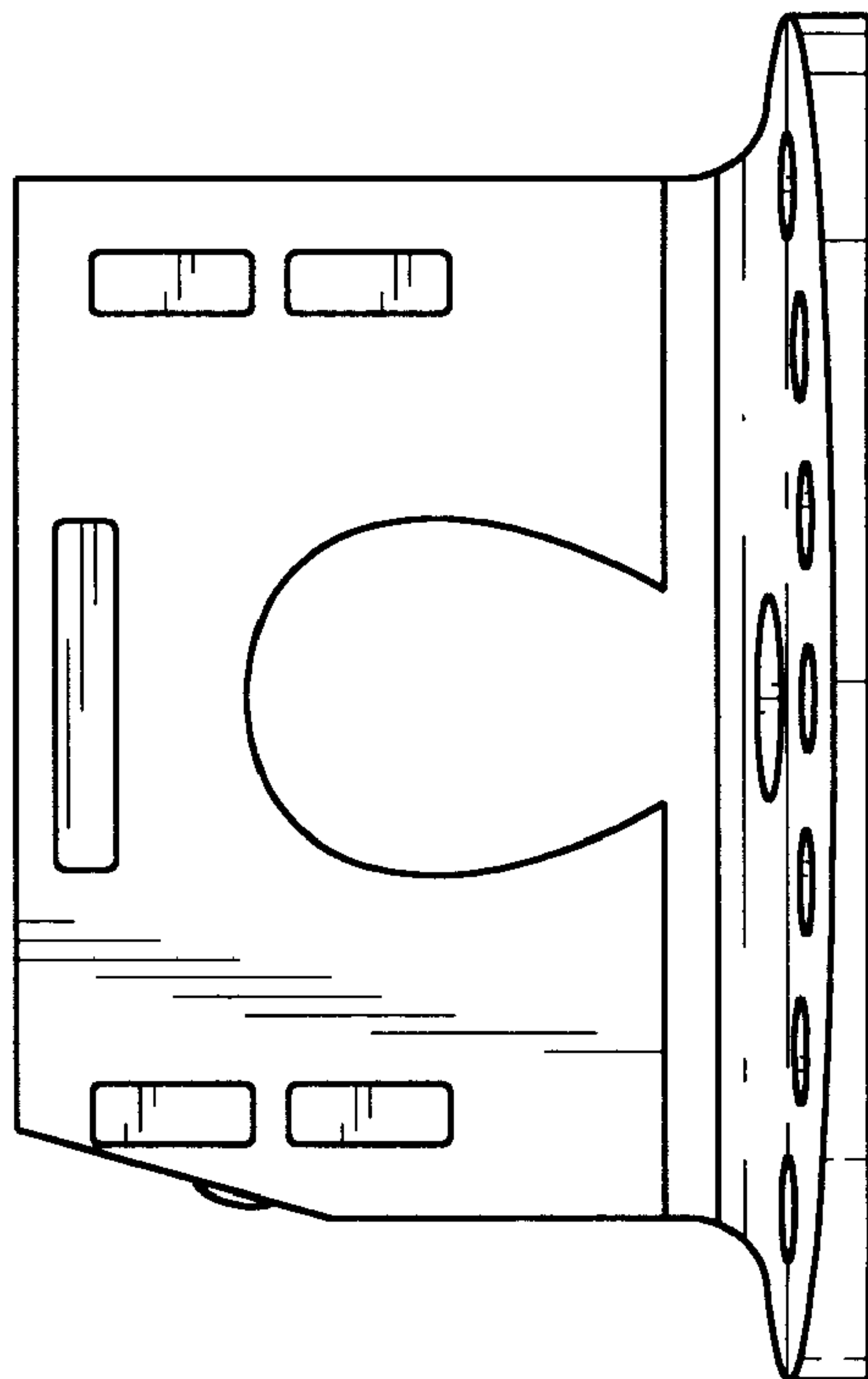


FIG. 13