



US00D432588S

# United States Patent [19] Tedham

[11] Patent Number: **Des. 432,588**

[45] Date of Patent: **\*\* Oct. 24, 2000**

- [54] **CARD SHUFFLING APPARATUS**
- [75] Inventor: **Thomas A. Tedham**, Eden Prairie, Minn.
- [73] Assignee: **Shuffle Master, Inc.**, Eden Prairie, Minn.
- [\*\*] Term: **14 Years**
- [21] Appl. No.: **29/110,172**
- [22] Filed: **Aug. 30, 1999**
- [51] **LOC (7) Cl.** ..... **21-01**
- [52] **U.S. Cl.** ..... **D21/396**
- [58] **Field of Search** ..... D21/392-396;  
273/148 R, 148 A, 149 R, 149 P, 150, 151

- 4,750,743 6/1988 Nicoletti ..... 273/148 A
- 4,969,648 11/1990 Hollinger et al. .... 273/149 R
- 5,356,145 10/1994 Verschoor ..... 273/149 R
- 5,374,061 12/1994 Albrecht ..... 273/149 R
- 5,382,024 1/1995 Blaha ..... 273/149 R

*Primary Examiner*—Sandra L. Morris  
*Attorney, Agent, or Firm*—Mark A. Litman & Associates, P.A.

### [57] CLAIM

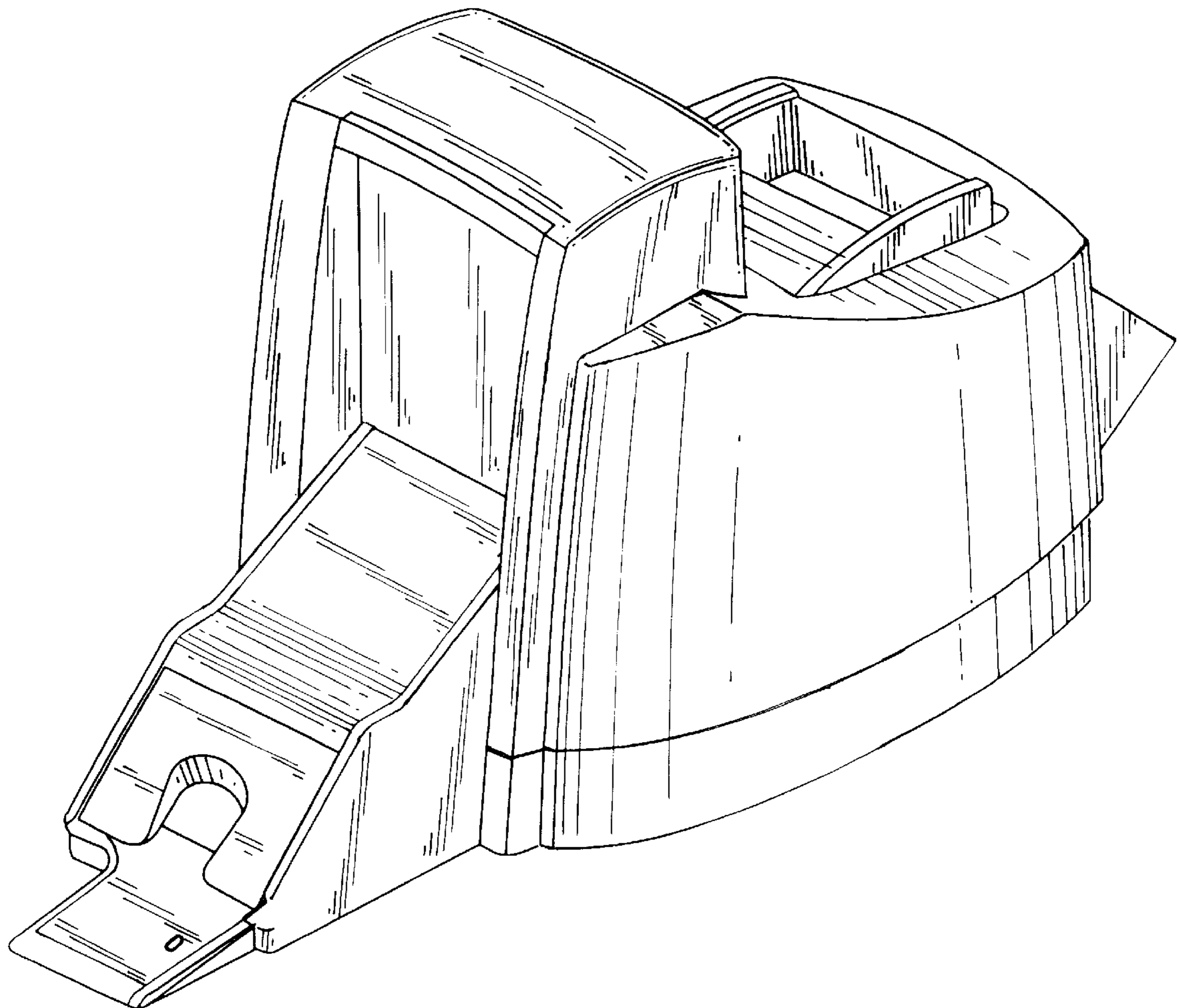
The ornamental design for a card shuffling apparatus, as shown.

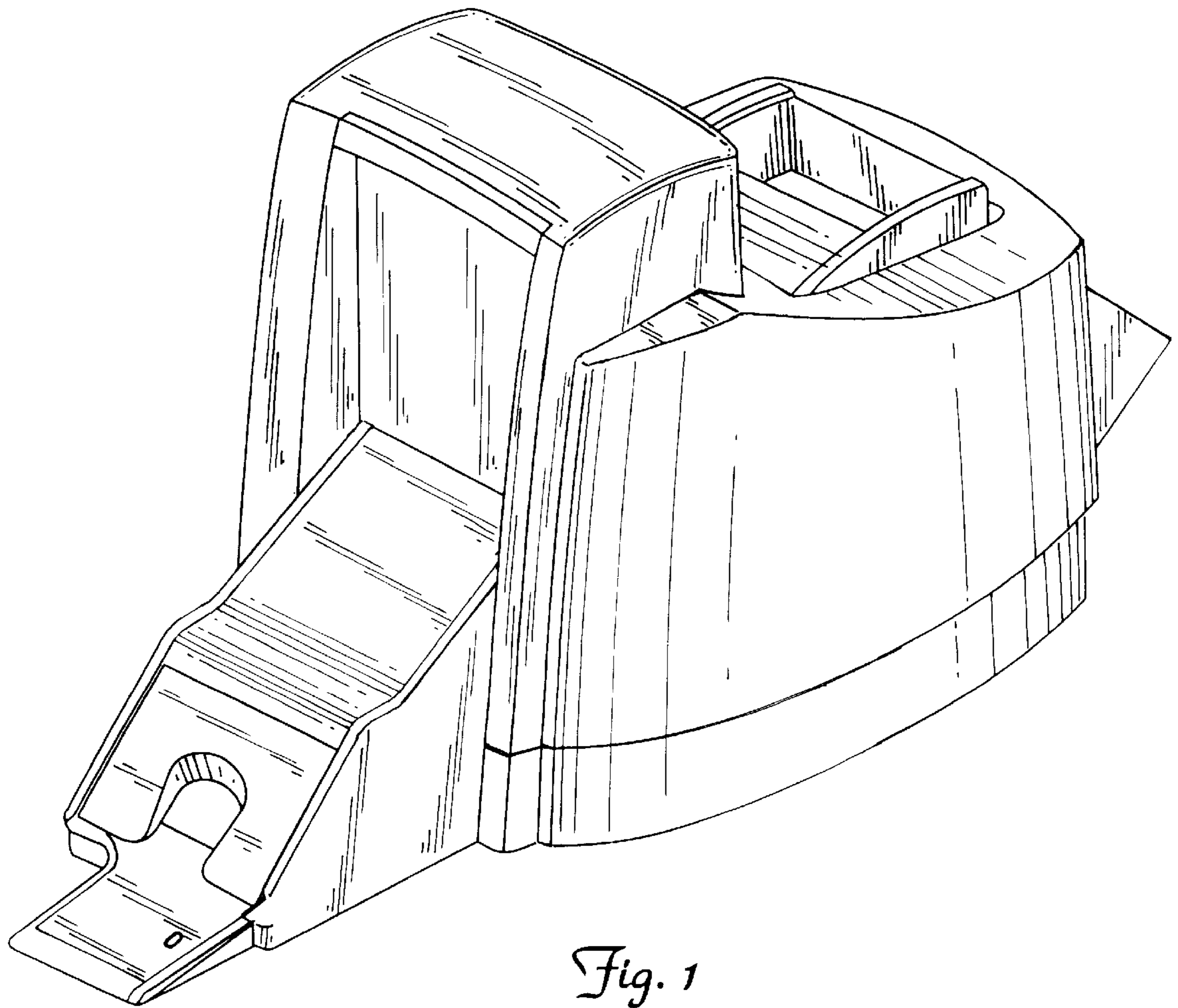
### DESCRIPTION

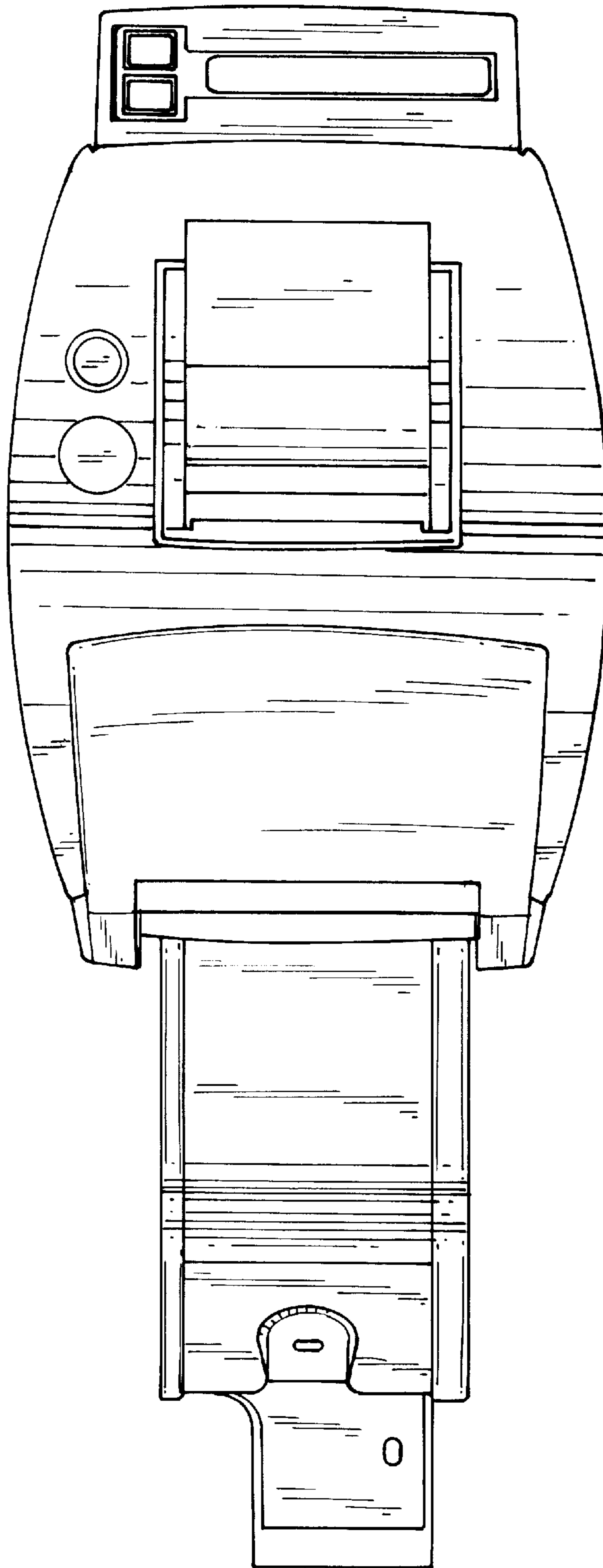
FIG. 1 is a perspective view of a card shuffling apparatus, showing my new design;  
FIG. 2 is a top plan view thereof;  
FIG. 3 is a front elevational view thereof;  
FIG. 4 is a side elevational view thereof;  
FIG. 5 is an opposite side elevational view thereof;  
FIG. 6 is a back elevational view thereof; and,  
FIG. 7 is a bottom plan view thereof.

- [56] **References Cited**
- U.S. PATENT DOCUMENTS
- D. 232,953 9/1974 Oguchi ..... D21/396
- D. 274,069 5/1984 Fromm ..... D21/392
- D. 411,527 9/1999 Tedham ..... D21/396
- 4,513,969 4/1985 Samsel, Jr. .... 273/149 R

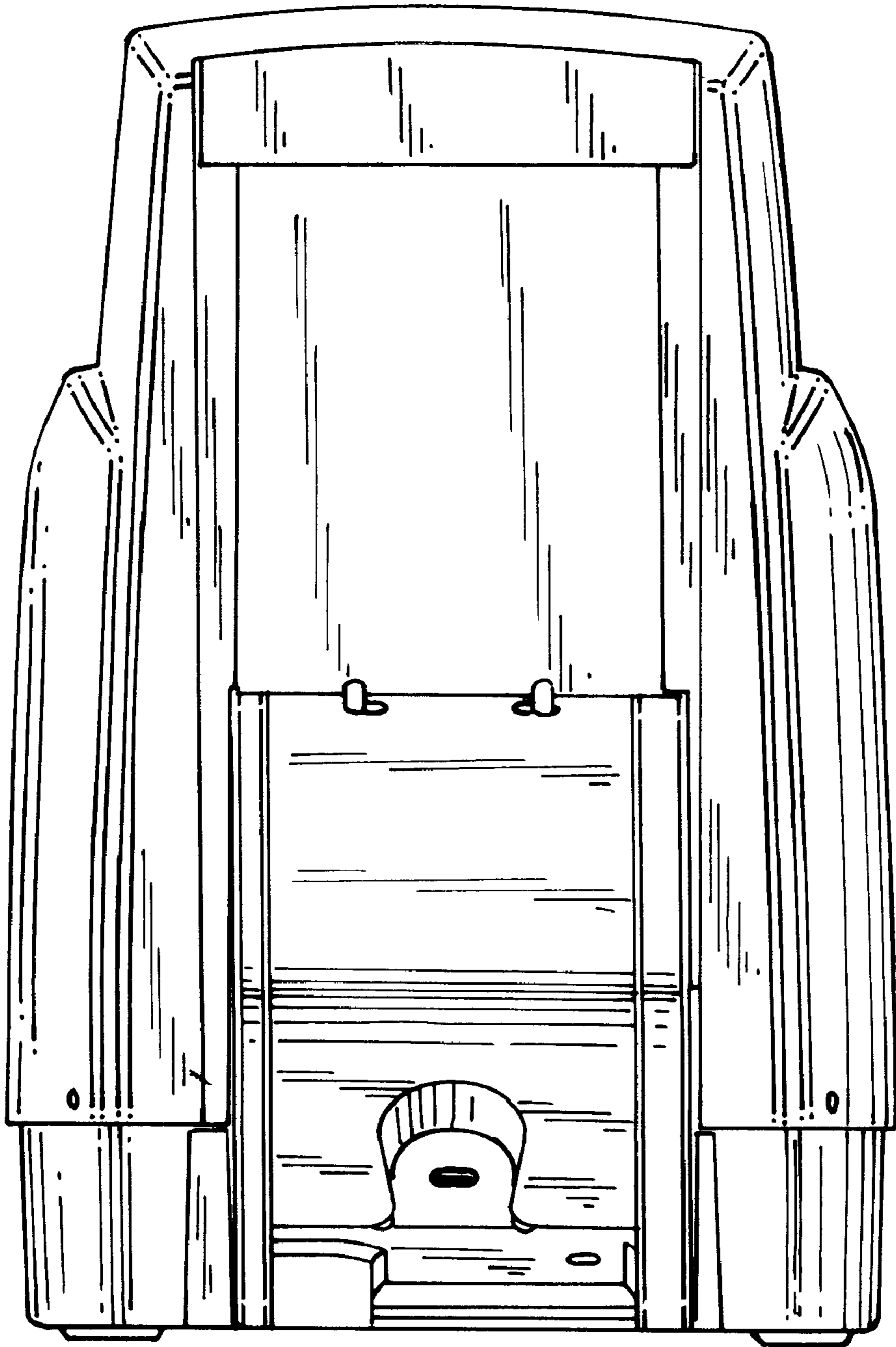
**1 Claim, 7 Drawing Sheets**



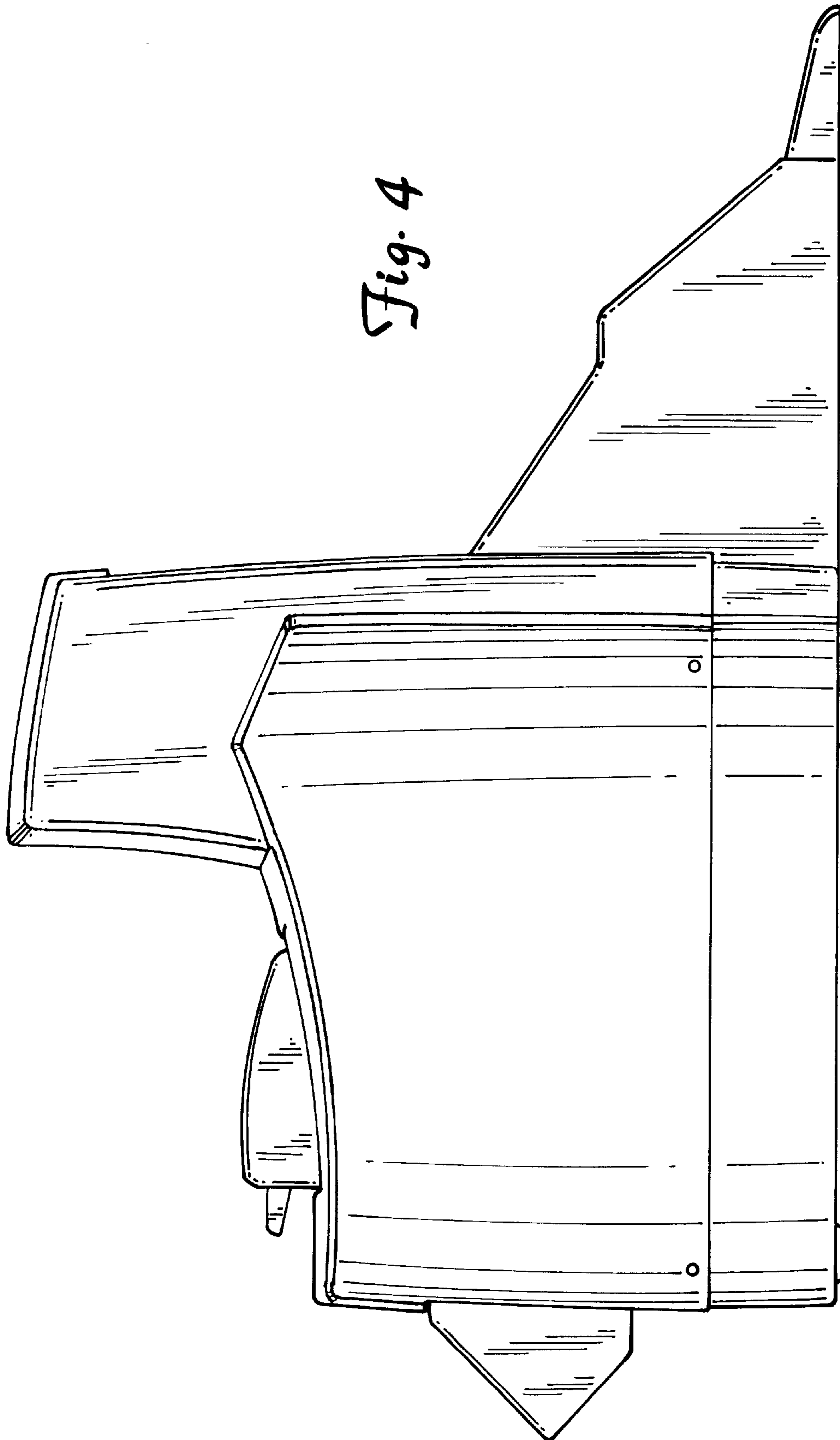




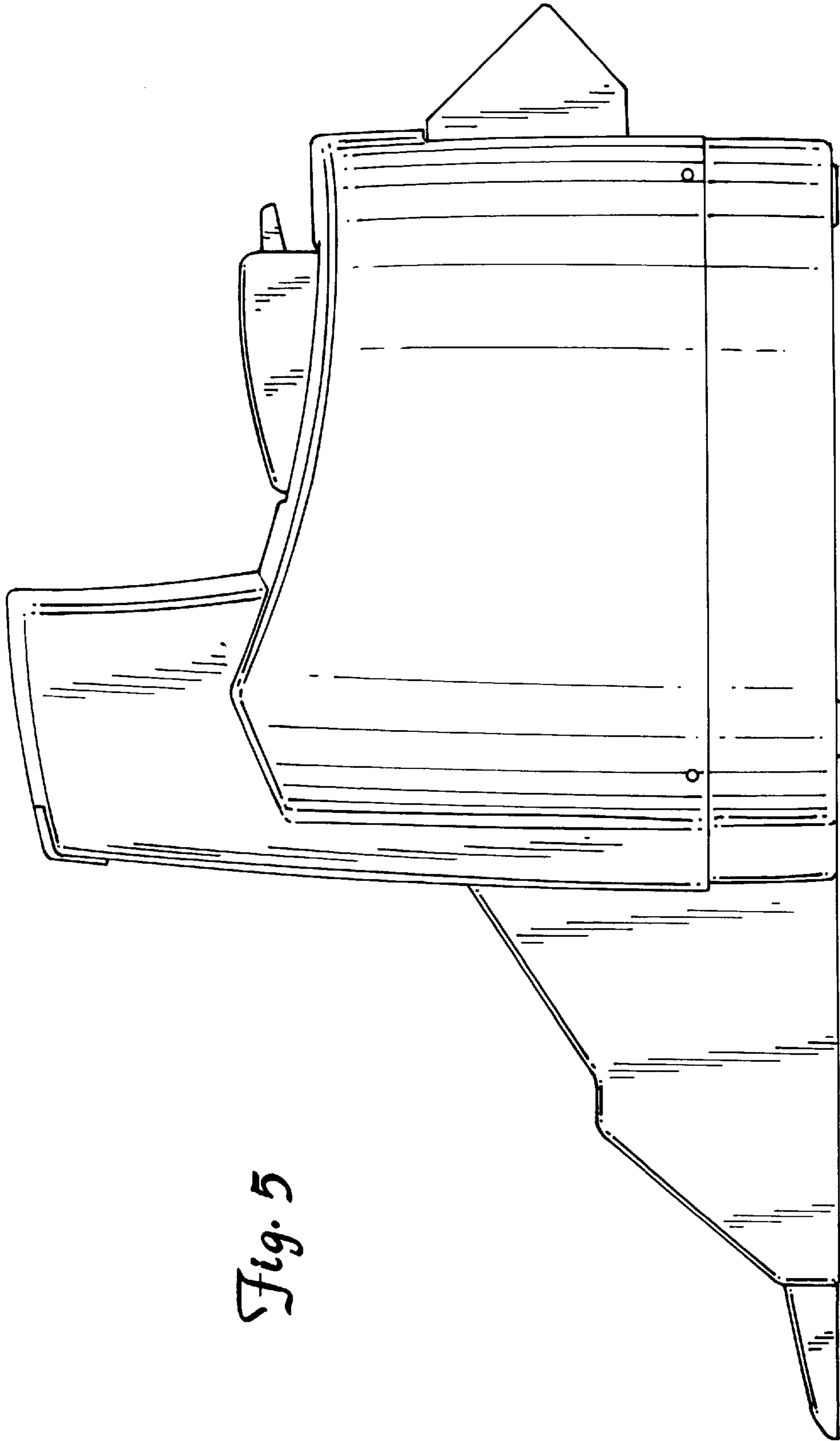
*Fig. 2*



*Fig. 3*

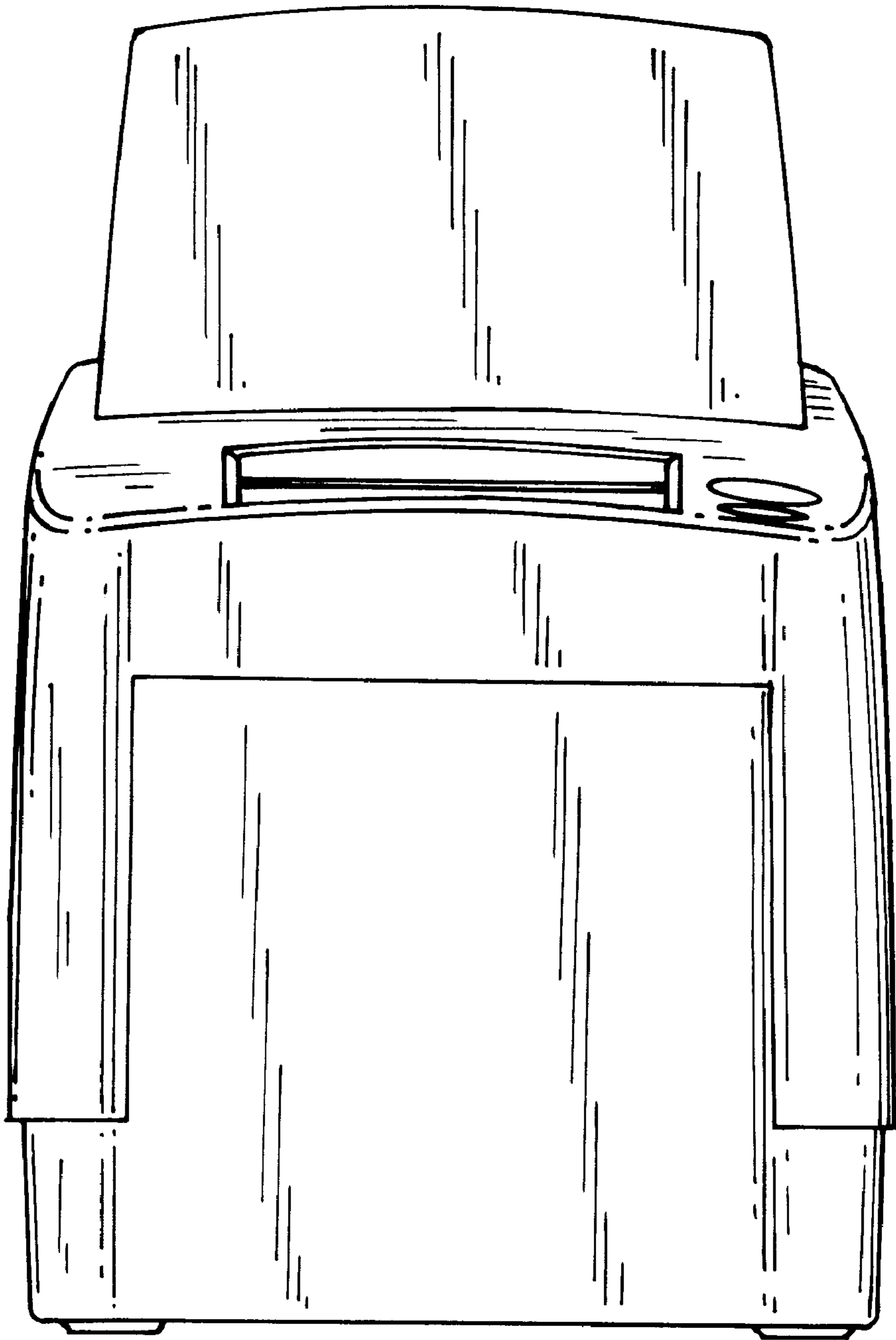


*Fig. 4*



*Fig. 5*





*Fig. 6*

*Fig. 7*

