

US00D432587S

United States Patent [19]
Hertzano

[11] **Patent Number: Des. 432,587**

[45] **Date of Patent: ** Oct. 24, 2000**

[54] **GAME TILE**

5,051,023 9/1991 Yoshida et al. 404/39

[76] Inventor: **Micha Hertzano**, 53, Drezner Street,
Tel-Aviv, Israel

FOREIGN PATENT DOCUMENTS

1199073 6/1959 France D25/113
52531 5/1967 Poland D25/113

[**] Term: **14 Years**

[21] Appl. No.: **07/800,567**

Primary Examiner—Doris Clark
Attorney, Agent, or Firm—Ladas & Parry

[22] Filed: **Nov. 27, 1991**

[57] **CLAIM**

[30] **Foreign Application Priority Data**

I claim the ornamental design for a game tile, as shown and described.

May 28, 1991 [BX] Benelux TM/Des. Off. 21340-01
May 28, 1991 [BX] Benelux TM/Des. Off. 21340-06

DESCRIPTION

[51] **LOC (7) Cl.** **21-01**

[52] **U.S. Cl.** **D21/386**

[58] **Field of Search** D25/138, 151,
D25/113; 404/34, 39; 52/608; D21/51;
273/288, 293, 292, 290

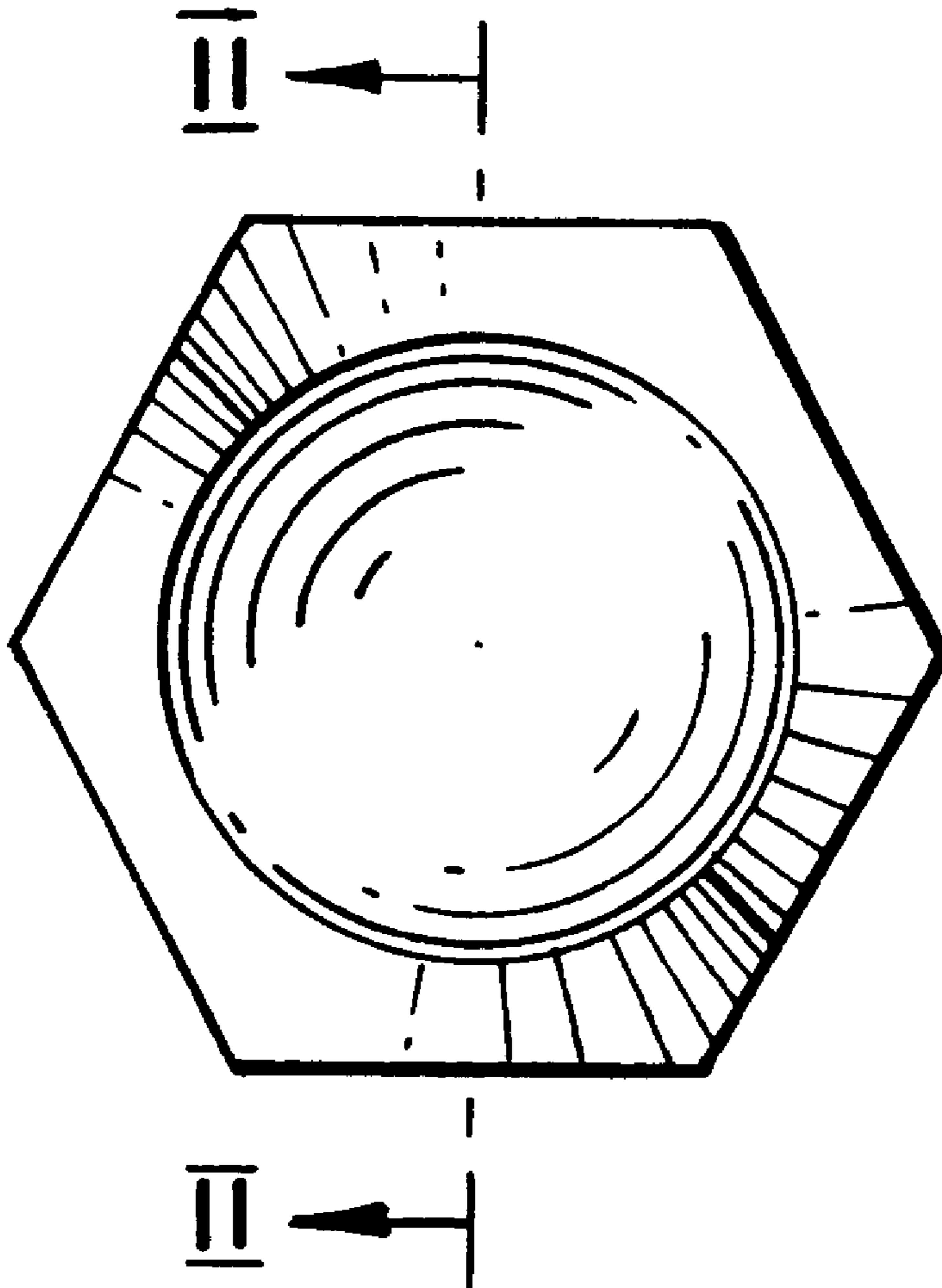
FIG. 1 is a top plan view of a first embodiment of a game tile showing my new design;
FIG. 2 is a cross-sectional elevation on line II—II of the embodiment of FIG. 1;
FIG. 3 is a cross-sectional elevation on line III—III of FIG. 4, a second embodiment of the game tile showing my new design; and,
FIG. 4 is a top plan view of the second embodiment of FIG. 3.

[56] **References Cited**

U.S. PATENT DOCUMENTS

254,269 2/1882 Brown D25/113
D. 300,231 3/1989 Hertzano D21/51
710,062 9/1902 Leary 404/34

1 Claim, 1 Drawing Sheet



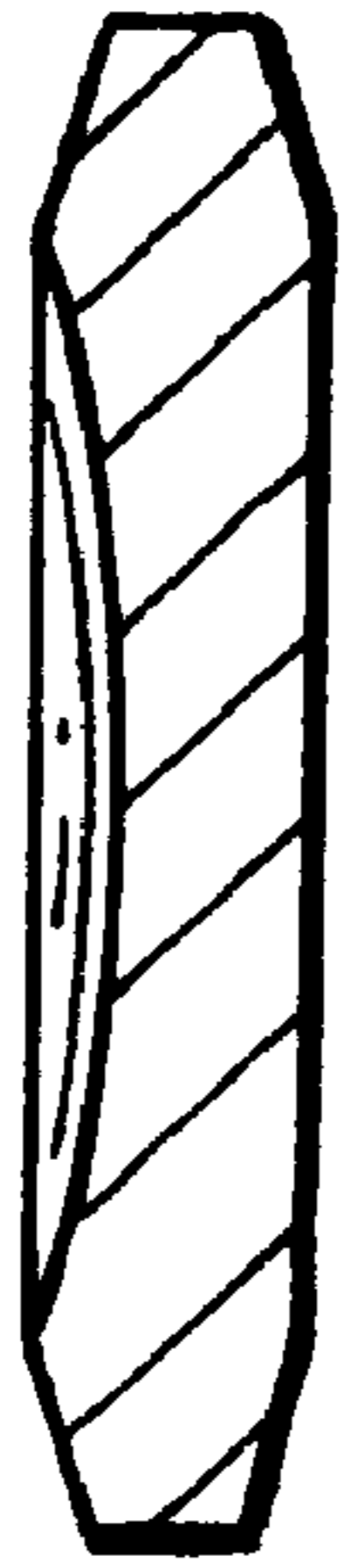


FIG. 2

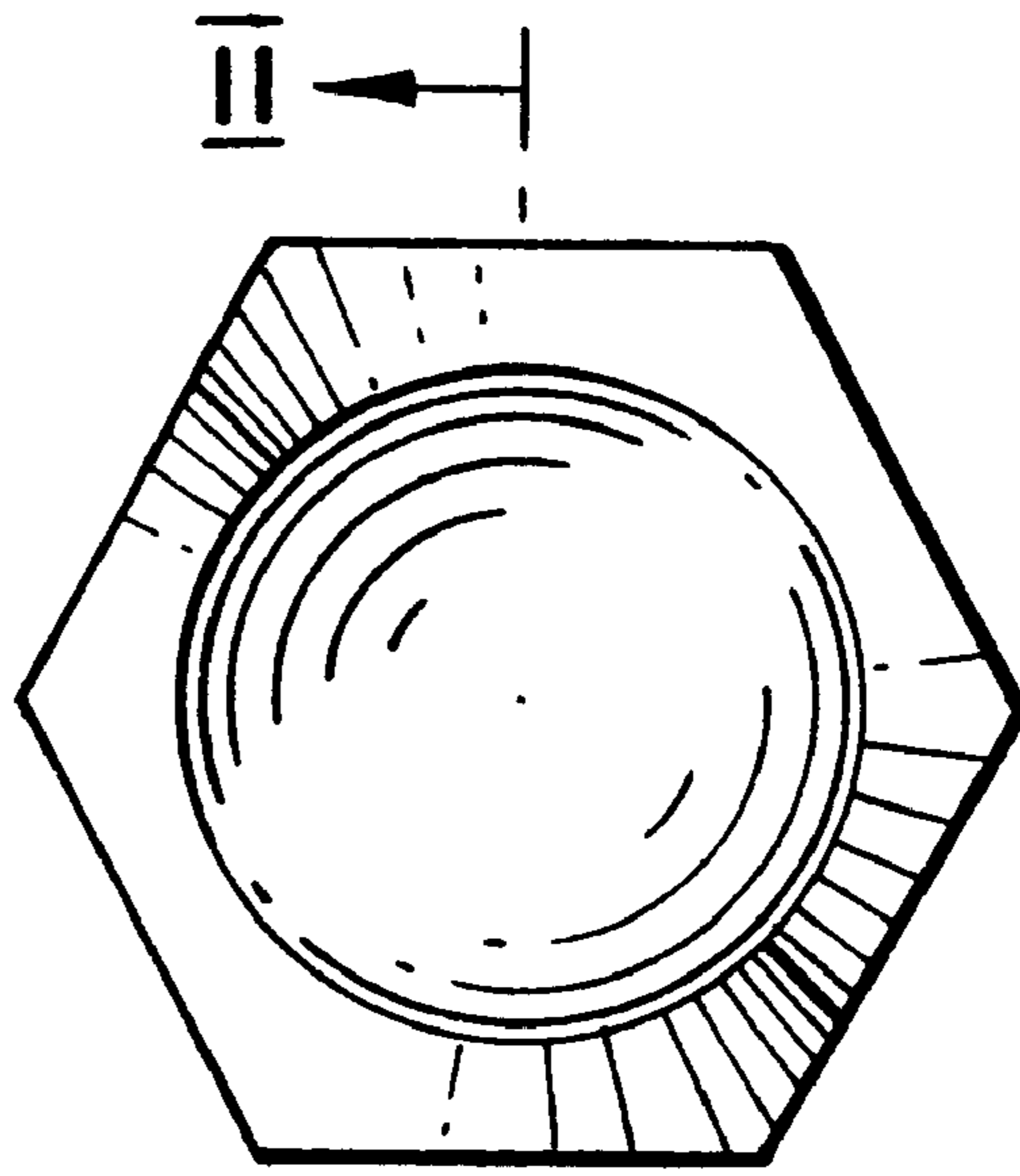


FIG. 1



FIG. 3

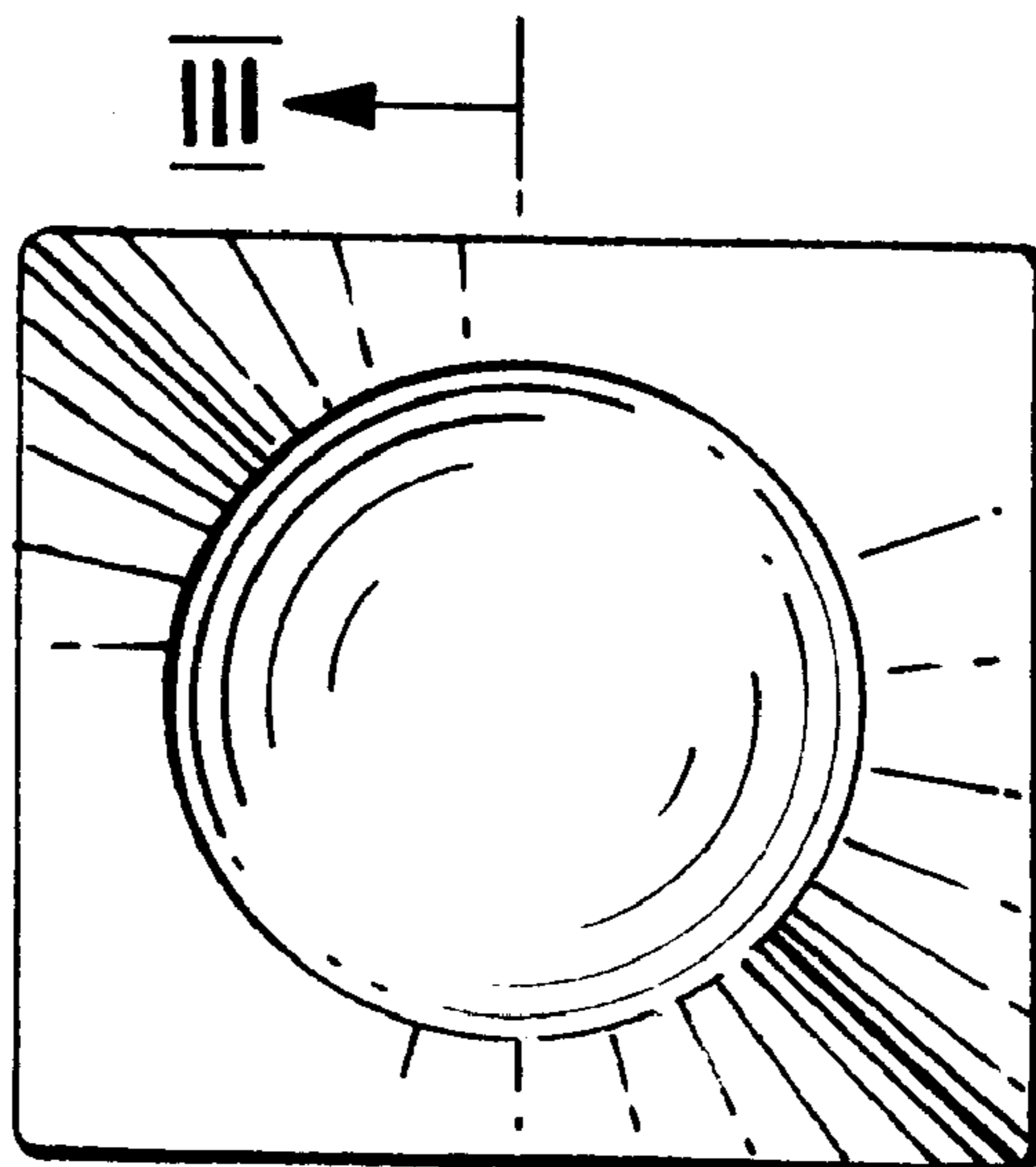


FIG. 4