



US00D432585S

United States Patent [19] Okabe

[11] Patent Number: **Des. 432,585**

[45] Date of Patent: **** Oct. 24, 2000**

[54] **CONTROL UNIT FOR SIMULATION GAME MACHINE**

[75] Inventor: **Tetsuo Okabe**, Tokyo, Japan

[73] Assignee: **Sega Enterprises, Ltd.**, Tokyo, Japan

[**] Term: **14 Years**

[21] Appl. No.: **29/087,453**

[22] Filed: **May 4, 1998**

[30] **Foreign Application Priority Data**

Nov. 14, 1997 [JP] Japan 9-75060

[51] **LOC (7) Cl.** **21-01**

[52] **U.S. Cl.** **D21/324; D21/333**

[58] **Field of Search** D21/324, 325,
D21/326, 329, 333, 320; 273/442, 461,
108.1, 148 B; 463/6, 49, 58, 46, 47, 30-38;
434/61, 64-71

[56] **References Cited**

U.S. PATENT DOCUMENTS

D. 398,658 9/1998 Matsuba D21/326
4,212,459 7/1980 Wolf 273/442

4,464,117 8/1984 Foerst 434/67
4,887,967 12/1989 Letovsky et al. 434/61
5,209,662 5/1993 Fujita et al. 273/442
5,346,398 9/1994 Nakahata et al. 273/442
5,772,504 6/1998 Machiguchi 463/6
5,823,876 9/1998 Unbehand 463/37

Primary Examiner—Prabhakar Deshmukh
Attorney, Agent, or Firm—Dickstein Shapiro Morin & Oshinsky, LLP

[57] **CLAIM**

The ornamental design for the control unit for the simulation game machine, as shown and described.

DESCRIPTION

FIG. 1 is a perspective view of a control unit for a simulation game machine showing my new design; FIG. 2 is a front elevational view thereof; FIG. 3 is a top plan view thereof; FIG. 4 is a bottom plan view thereof; FIG. 5 is a right side elevational view thereof; and, FIG. 6 is a left side elevational view thereof.

The rear of the game machine is disclaimed. The portions of the game machine not shown in the drawings are disclaimed.

1 Claim, 6 Drawing Sheets

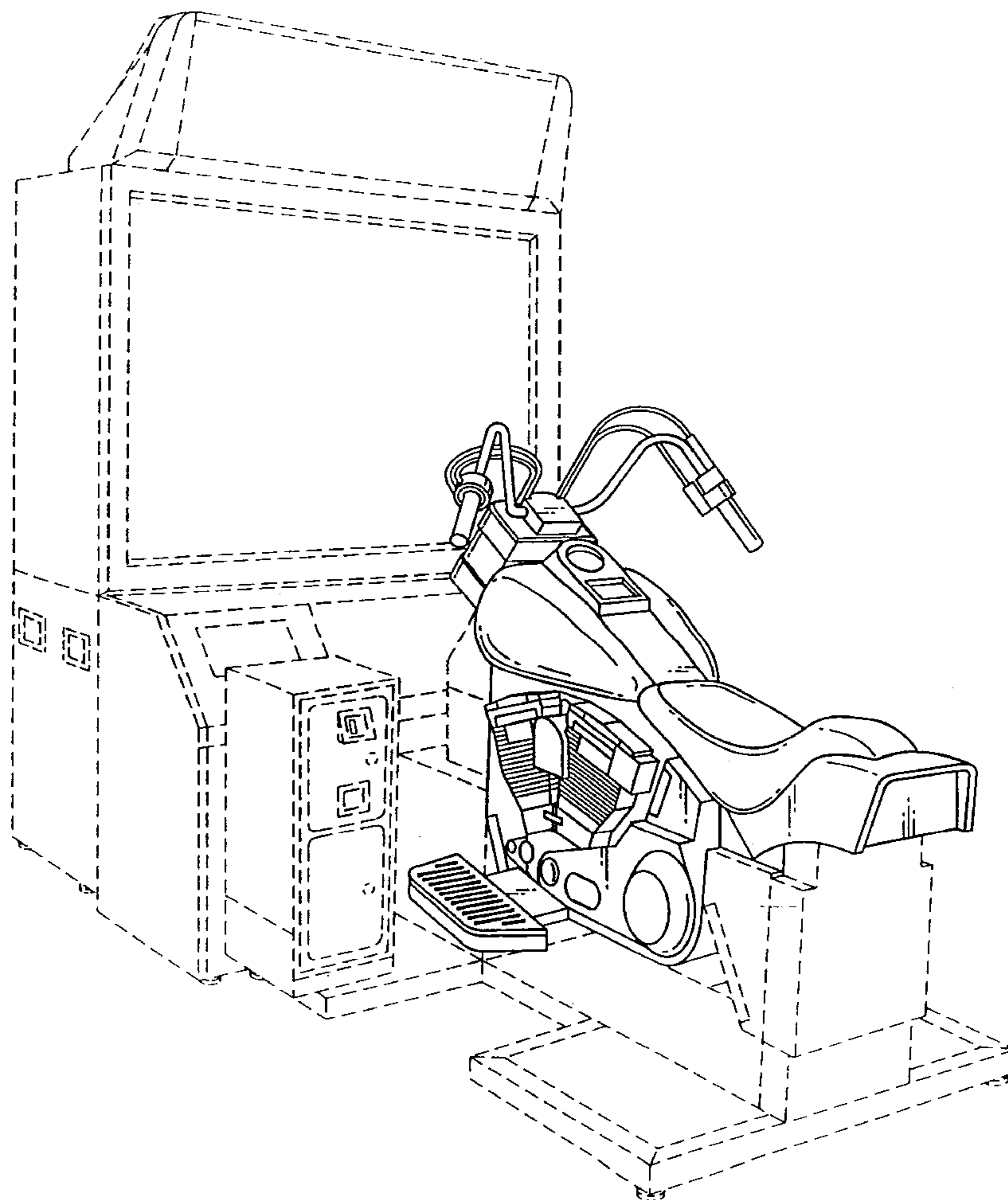


FIG.1

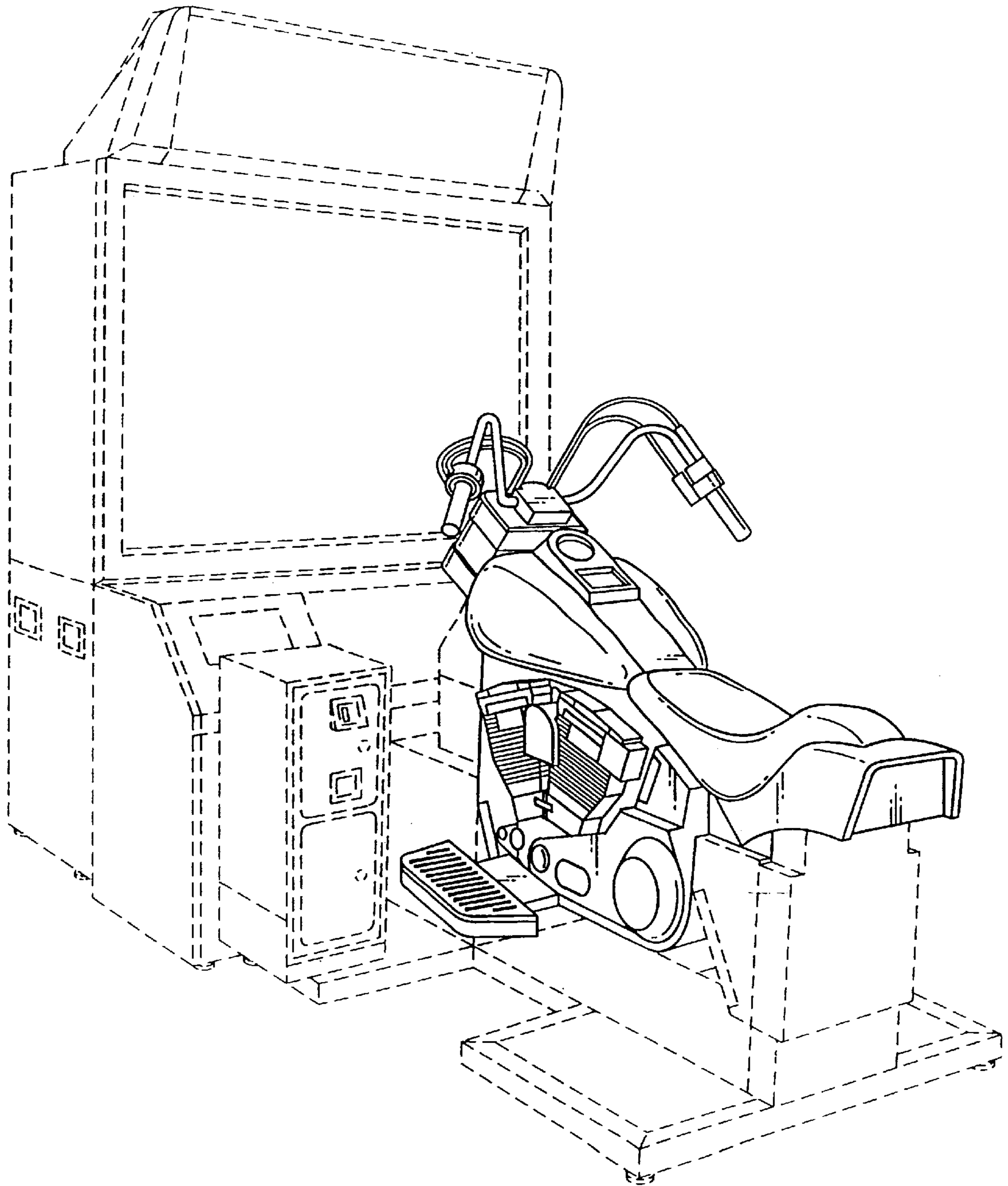


FIG.2

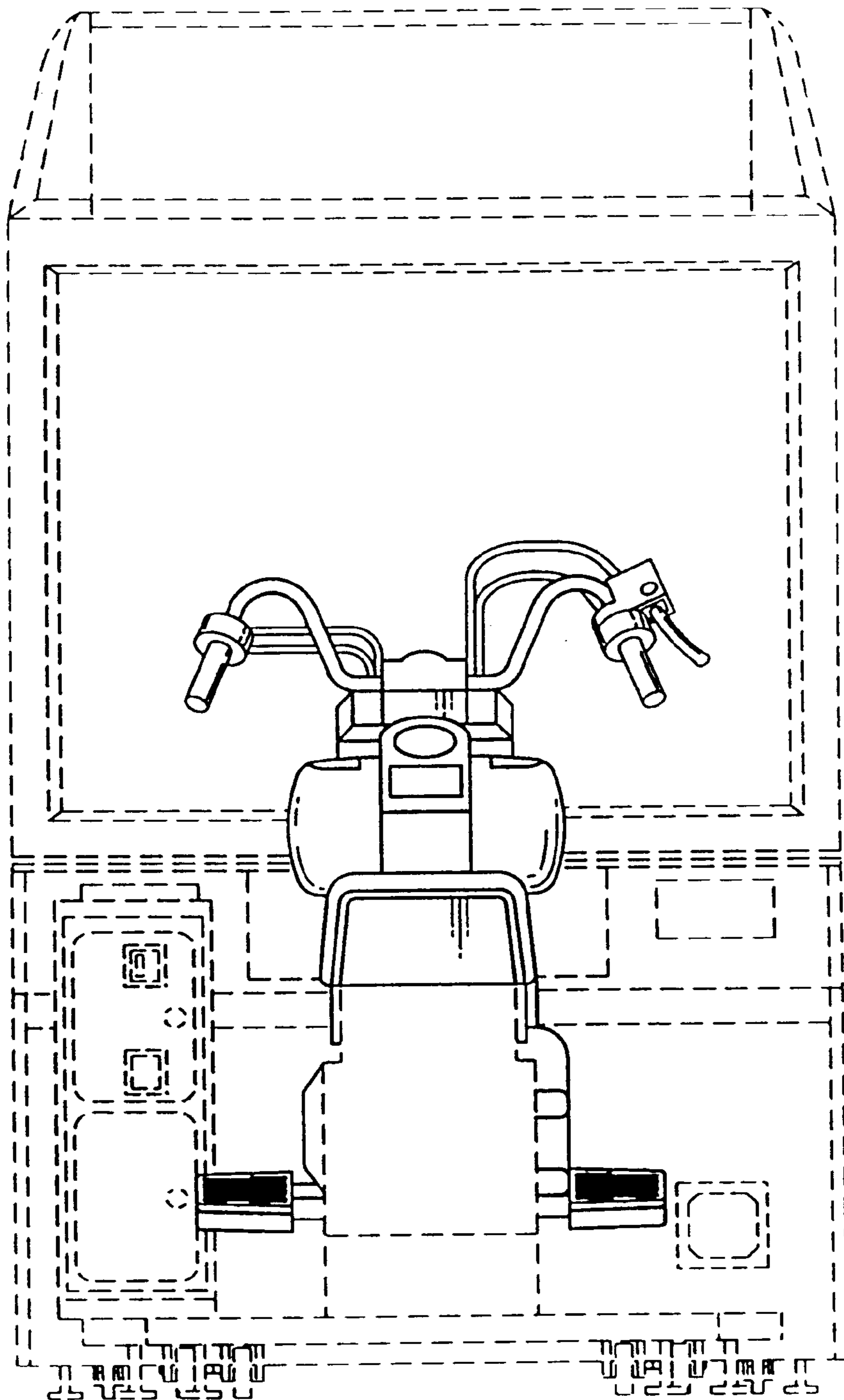


FIG.3

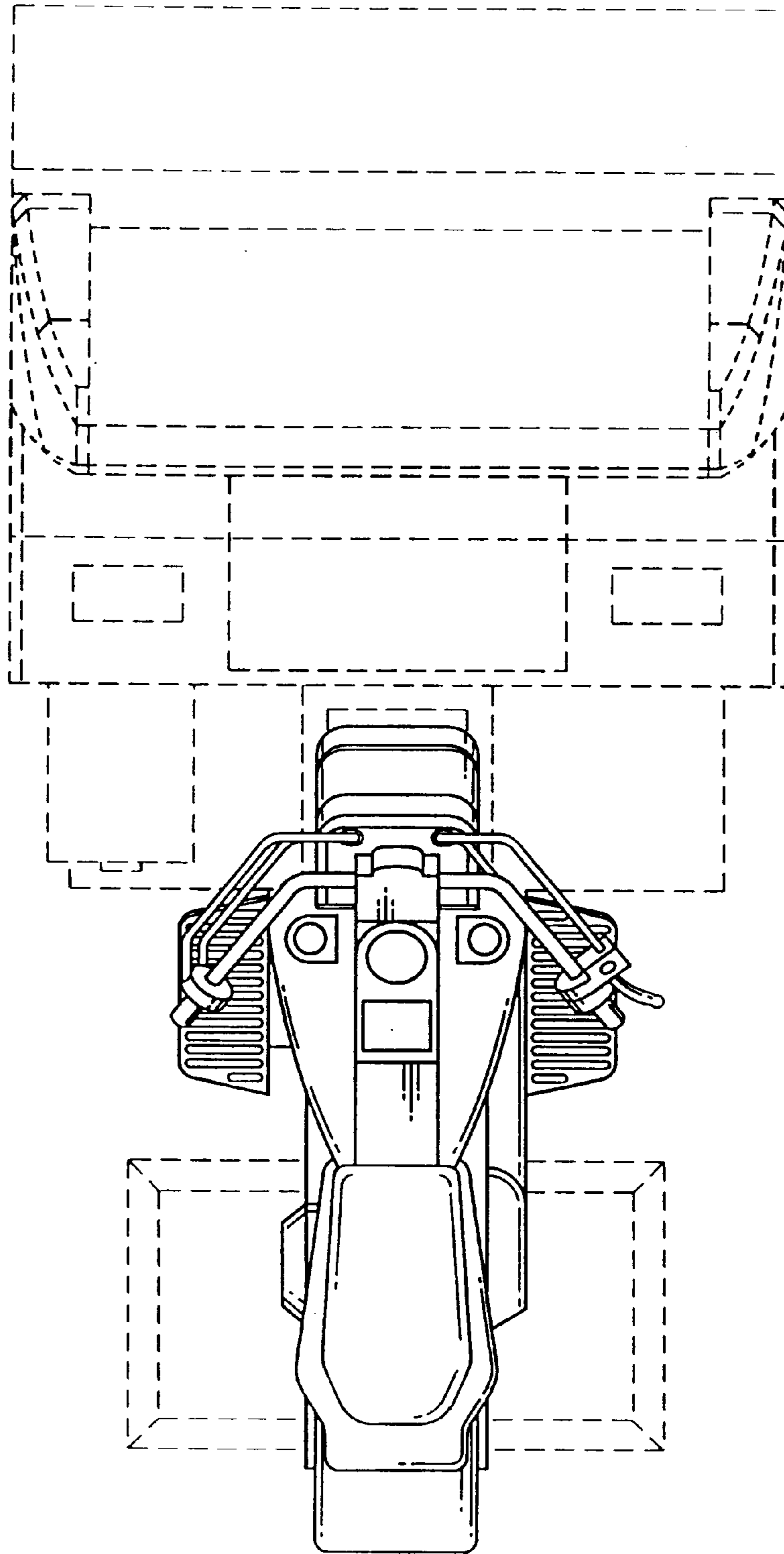


FIG.4

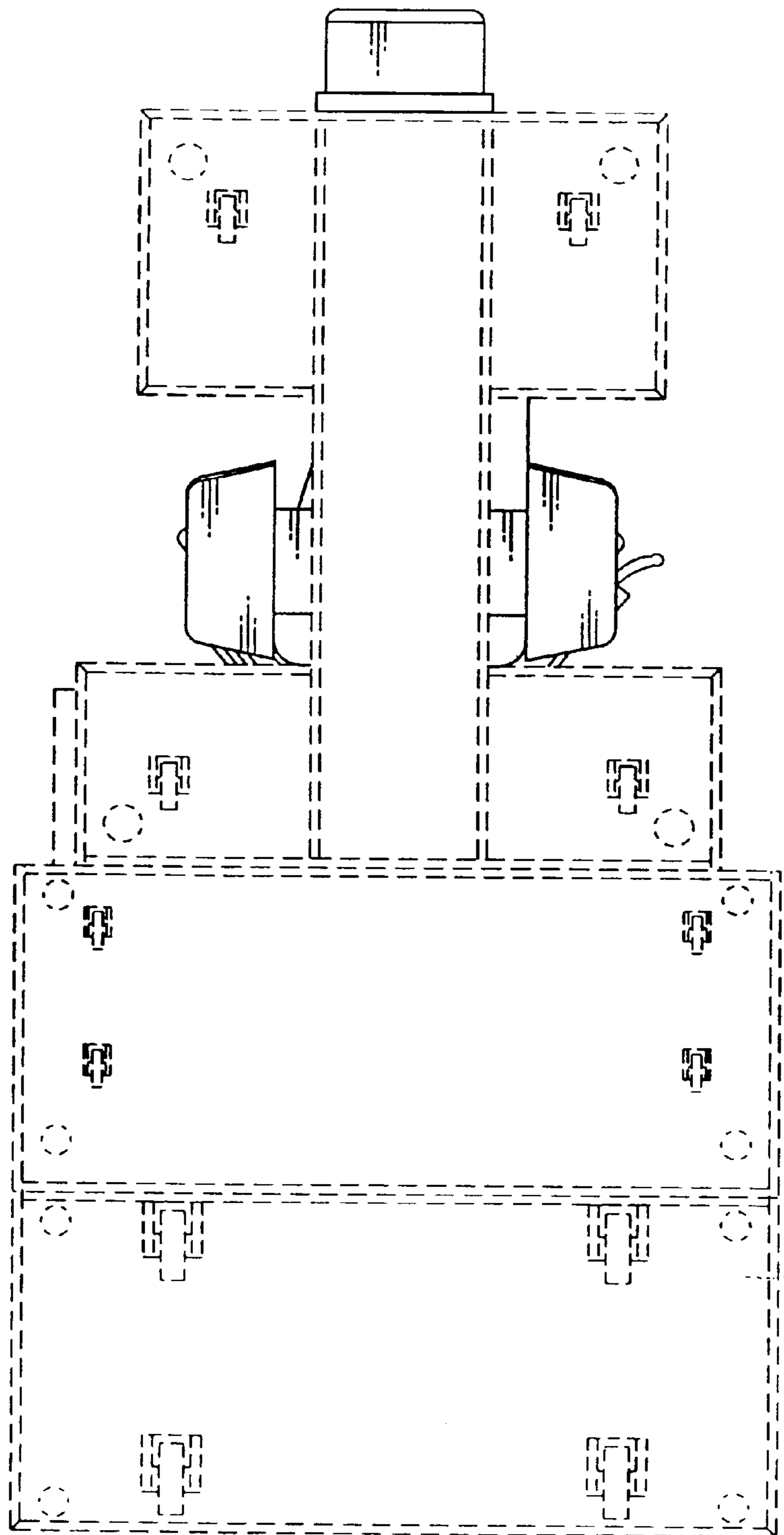


FIG.5

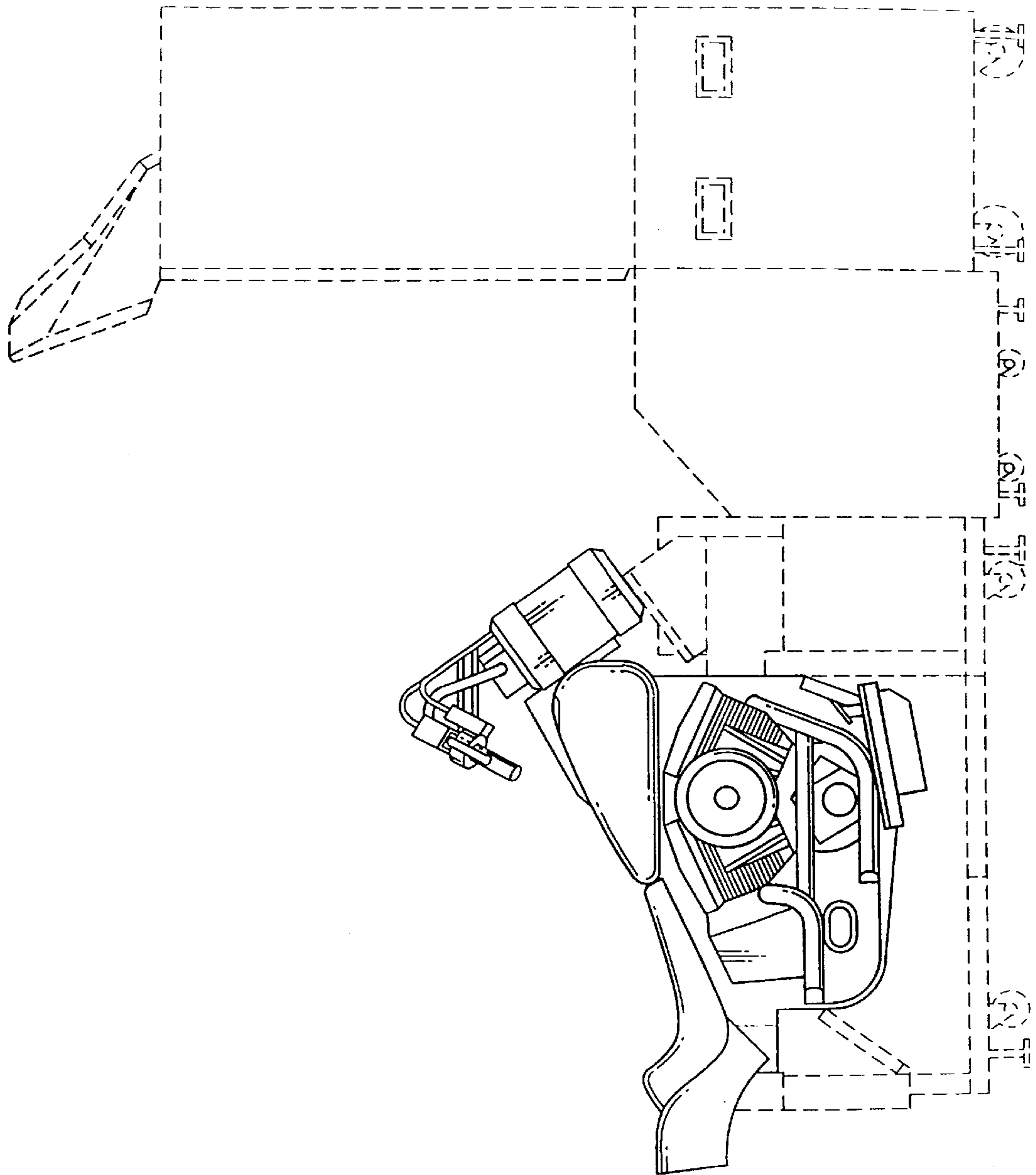


FIG.6

