



US00D432582S

United States Patent [19]
Pritchard

[11] **Patent Number: Des. 432,582**

[45] **Date of Patent: ** Oct. 24, 2000**

[54] **PA LOGO DESIGN**

D. 423,545 4/2000 Schelling et al. D20/22
D. 425,536 5/2000 Schelling et al. D20/22

[76] Inventor: **Eric Kaiser Pritchard**, R.R. 6, Box
11420, Berkeley Springs, W. Va. 25411

Primary Examiner—Marcus A. Jackson

[**] Term: **14 Years**

[57] **CLAIM**

[21] Appl. No.: **29/119,253**

The ornamental design for a PA logo design, as shown and described.

[22] Filed: **Feb. 28, 2000**

DESCRIPTION

Related U.S. Application Data

[63] Continuation-in-part of application No. 29/094,958, Oct. 14, 1998.

FIG. 1 is a front elevational view thereof;
FIG. 2 is a bottom plan view thereof;
FIG. 3 is a rear elevational view thereof;
FIG. 4 is a left side elevational view thereof;
FIG. 5 is a top plan view thereof;
FIG. 6 is a right side elevational view thereof; and,
FIG. 7 is a reduced perspective view thereof, with the broken line showing for illustrative purposes only and forming no part of the claimed design.

[51] **LOC (7) Cl.** **19-08**

[52] **U.S. Cl.** **D20/22**

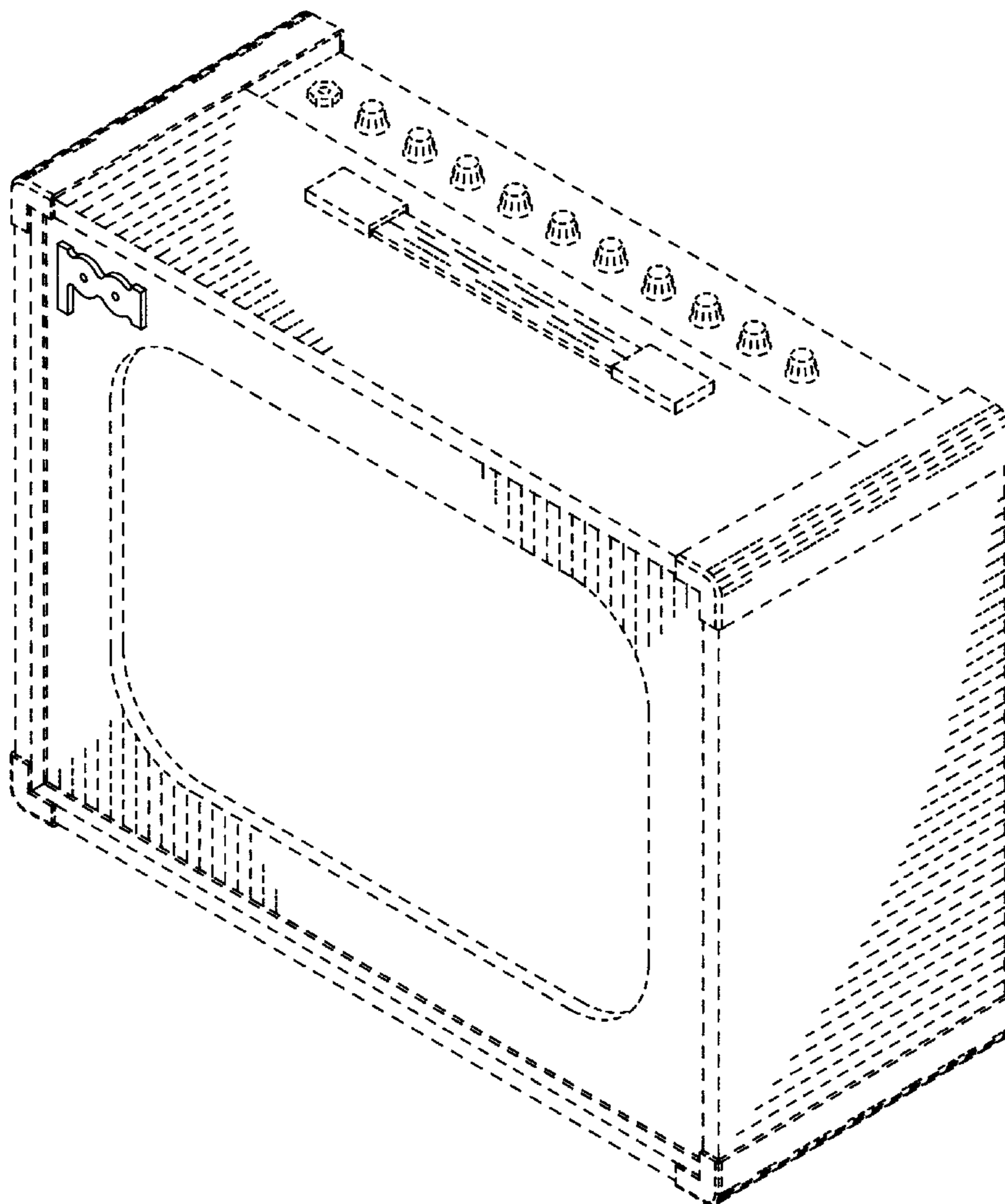
[58] **Field of Search** D20/10, 22-28;
40/299.01, 1, 638, 674; 428/42.3, 43; 283/56,
81

[56] **References Cited**

U.S. PATENT DOCUMENTS

D. 414,813 10/1999 Browning D20/22

1 Claim, 2 Drawing Sheets



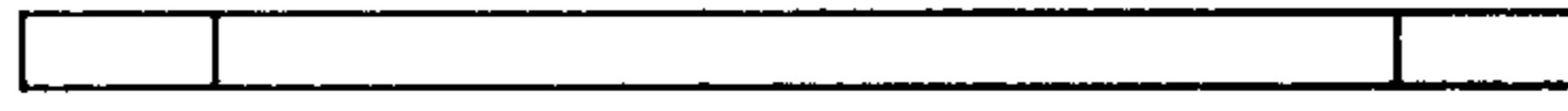


FIGURE 5



FIGURE 4

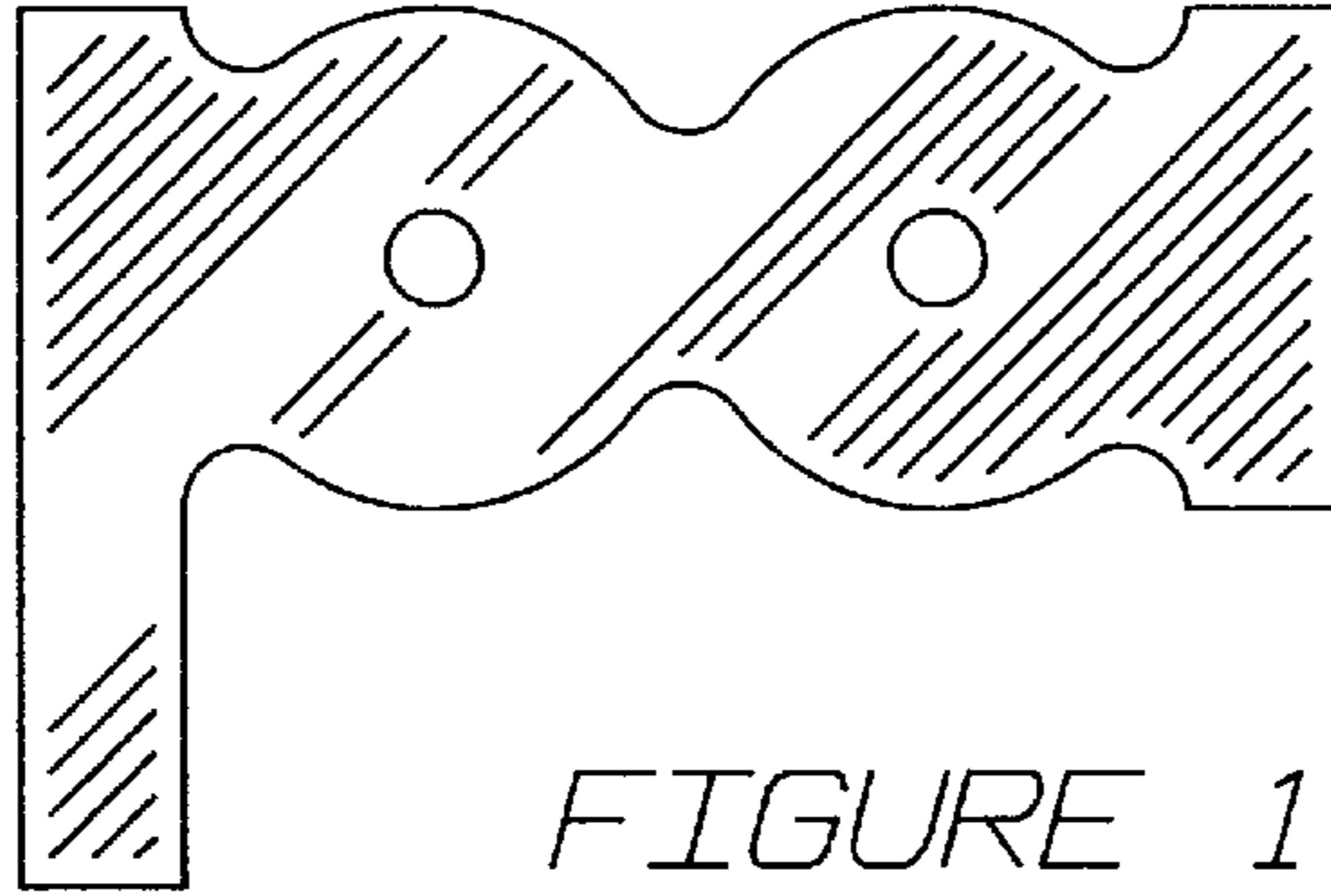


FIGURE 1

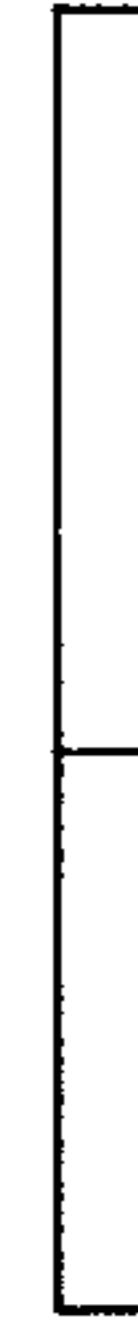


FIGURE 6

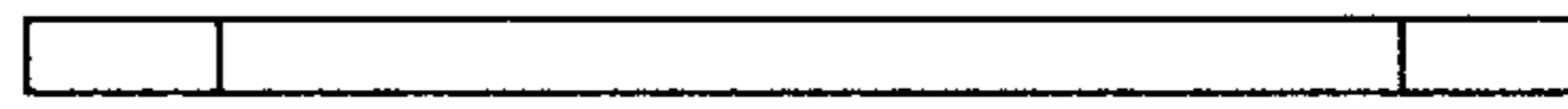


FIGURE 2

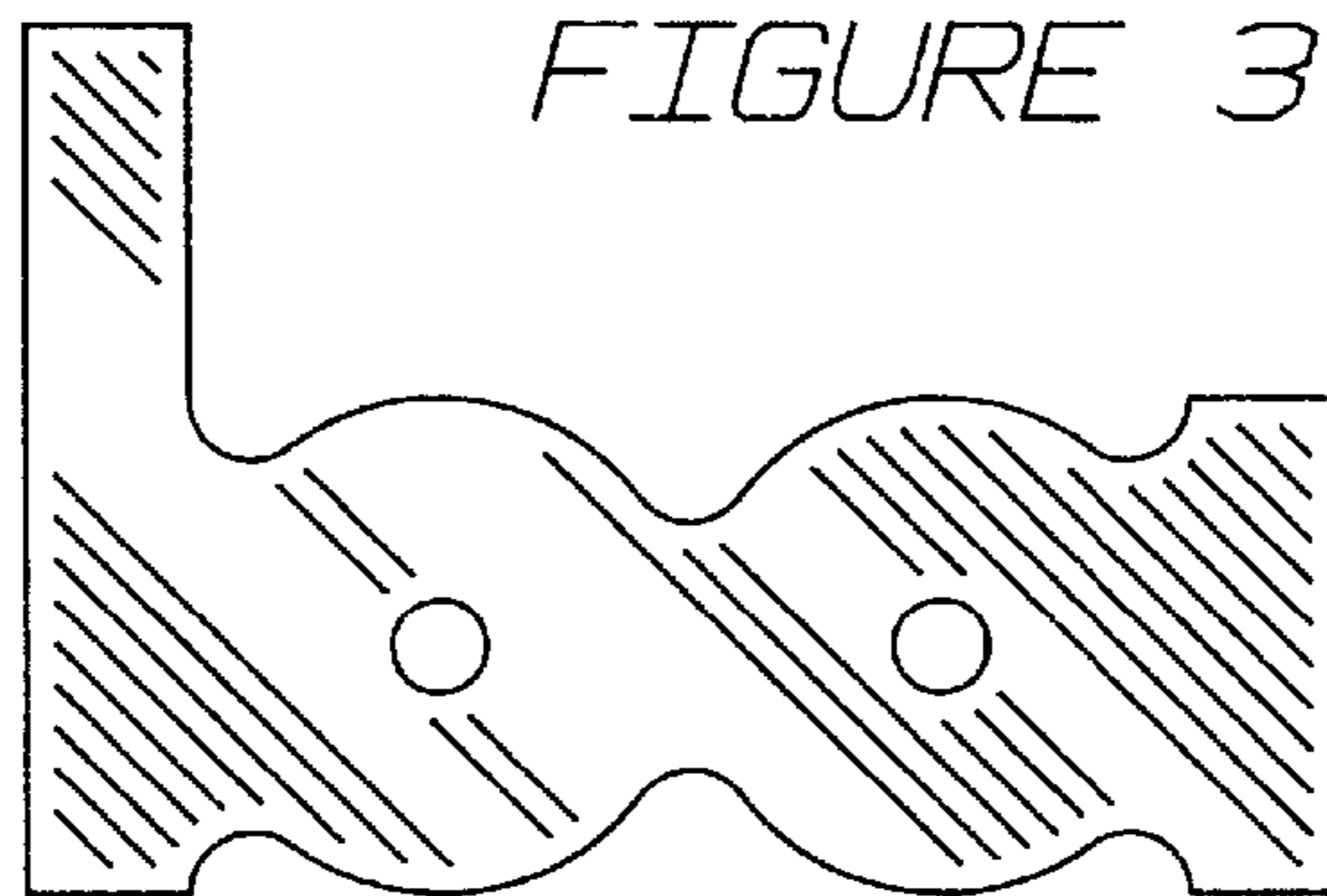


FIGURE 3

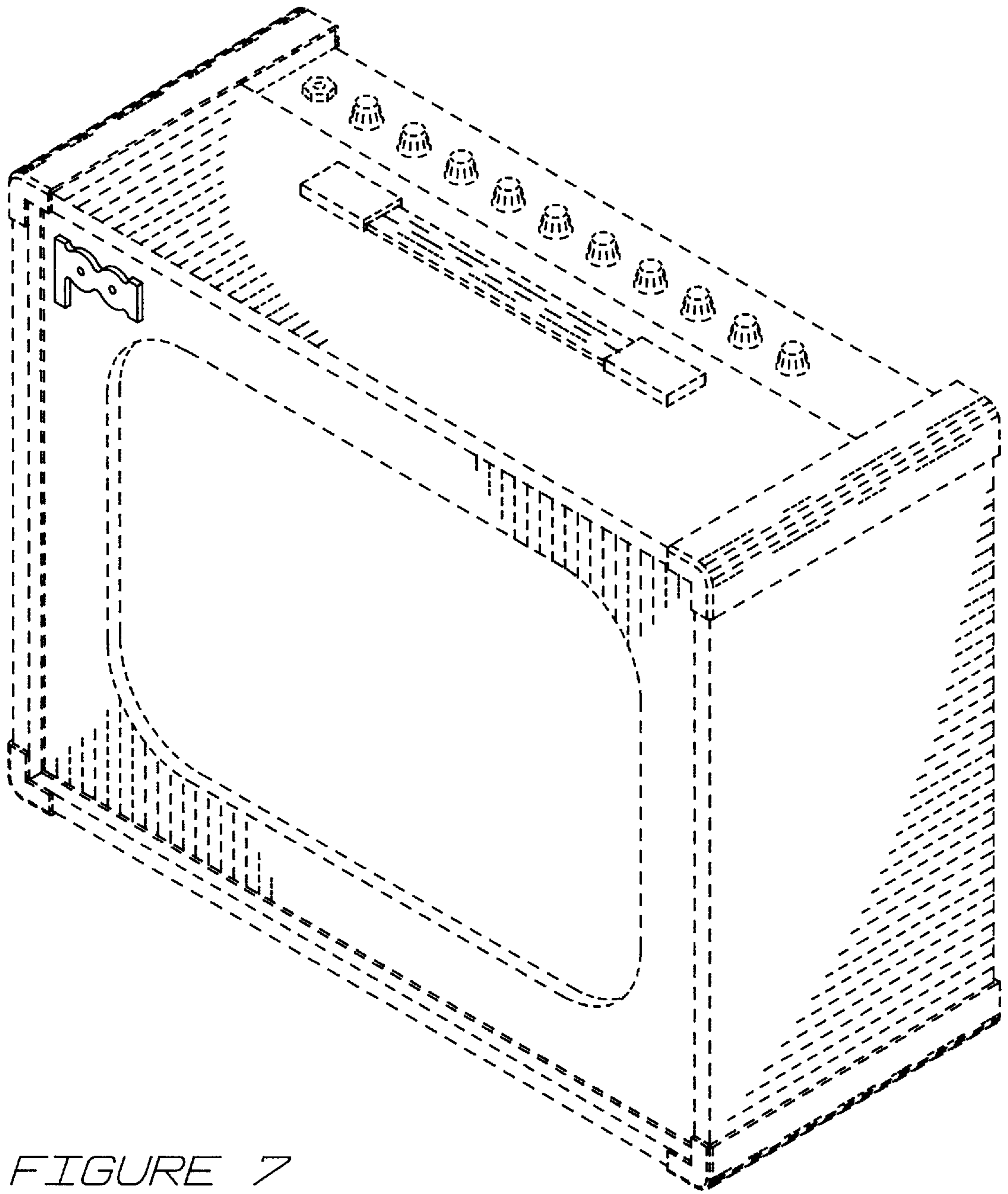


FIGURE 7