



US00D432581S

United States Patent [19]
Santolaya

[11] **Patent Number: Des. 432,581**

[45] **Date of Patent: ** Oct. 24, 2000**

[54] **PUBLICITY STAND STRUCTURE**

D. 415,207 10/1999 Voight D20/10
D. 424,538 5/2000 Hayashi et al. D20/10

[76] Inventor: **Juan Antonio Lozano Santolaya**, Ctra. de Logroño s/n, Villamediana de Iregua, La Rioja 26142, Spain

Primary Examiner—Marcus A. Jackson
Attorney, Agent, or Firm—Darby & Darby

[**] Term: **14 Years**

[57] **CLAIM**

[21] Appl. No.: **29/104,044**

The ornamental design for publicity stand structure, as shown and described.

[22] Filed: **Apr. 27, 1999**

DESCRIPTION

[51] **LOC (7) Cl.** **19-08**

[52] **U.S. Cl.** **D20/10**

[58] **Field of Search** 182/190, 191, 182/189; D25/62; D20/10, 40, 42; 40/1, 584, 606, 607, 608, 611, 612, 624

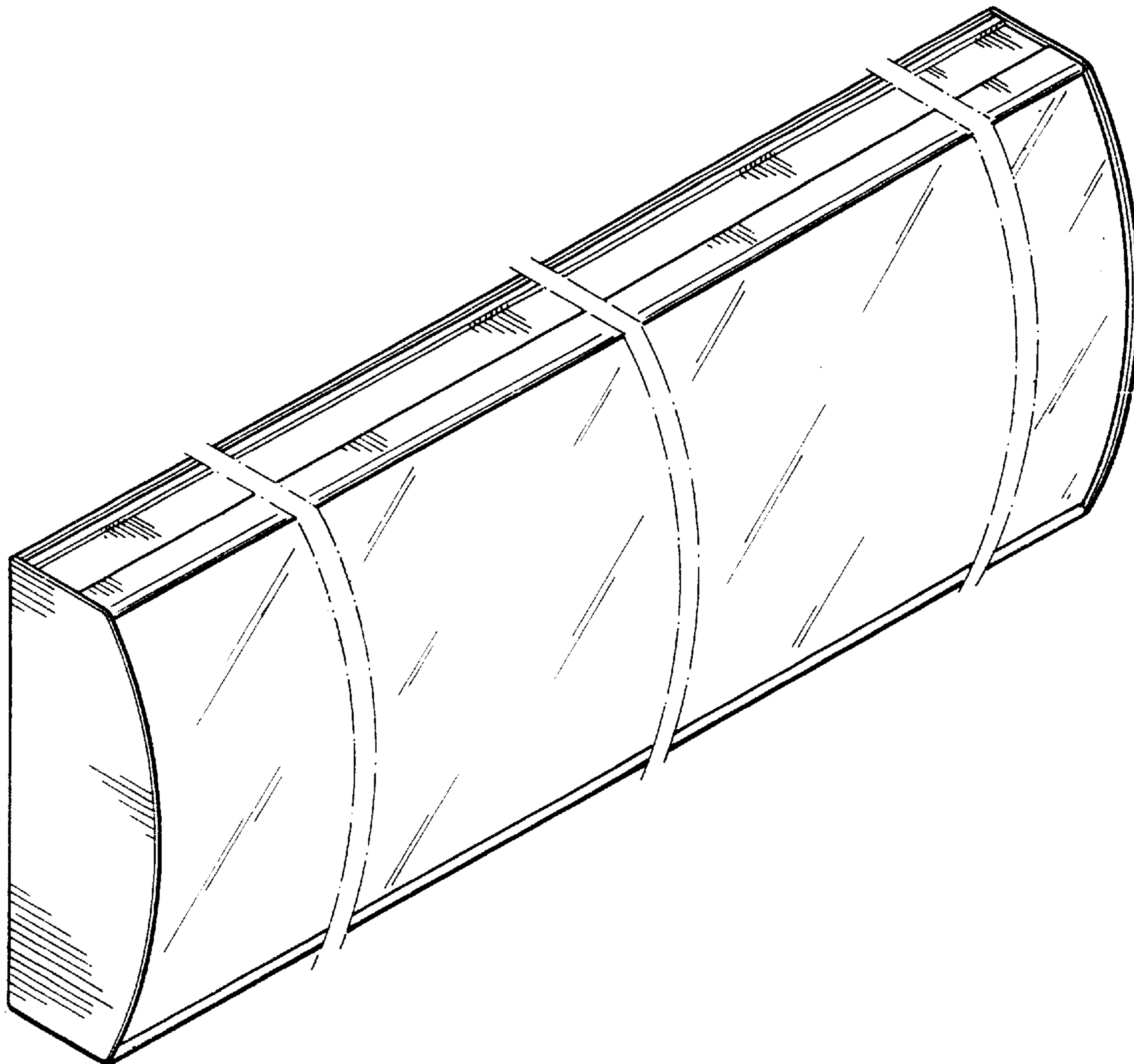
FIG. 1 is a front perspective view of the publicity stand structure, with the broken line showing for illustrative purposes only and forming no part of the claimed design; FIG. 2 is a bottom view thereof; FIG. 3 is a right side view thereof; FIG. 4 is a front view thereof; FIG. 5 is a left side view thereof; FIG. 6 is a rear view thereof; FIG. 7 is a top view thereof; and, FIG. 8 is a cross-sectional view thereof.

[56] **References Cited**

U.S. PATENT DOCUMENTS

D. 394,089 5/1998 Kawasaki et al. D20/10
D. 395,453 6/1998 Kawasaki et al. D20/10
D. 395,454 6/1998 Hayashi D20/10

1 Claim, 4 Drawing Sheets



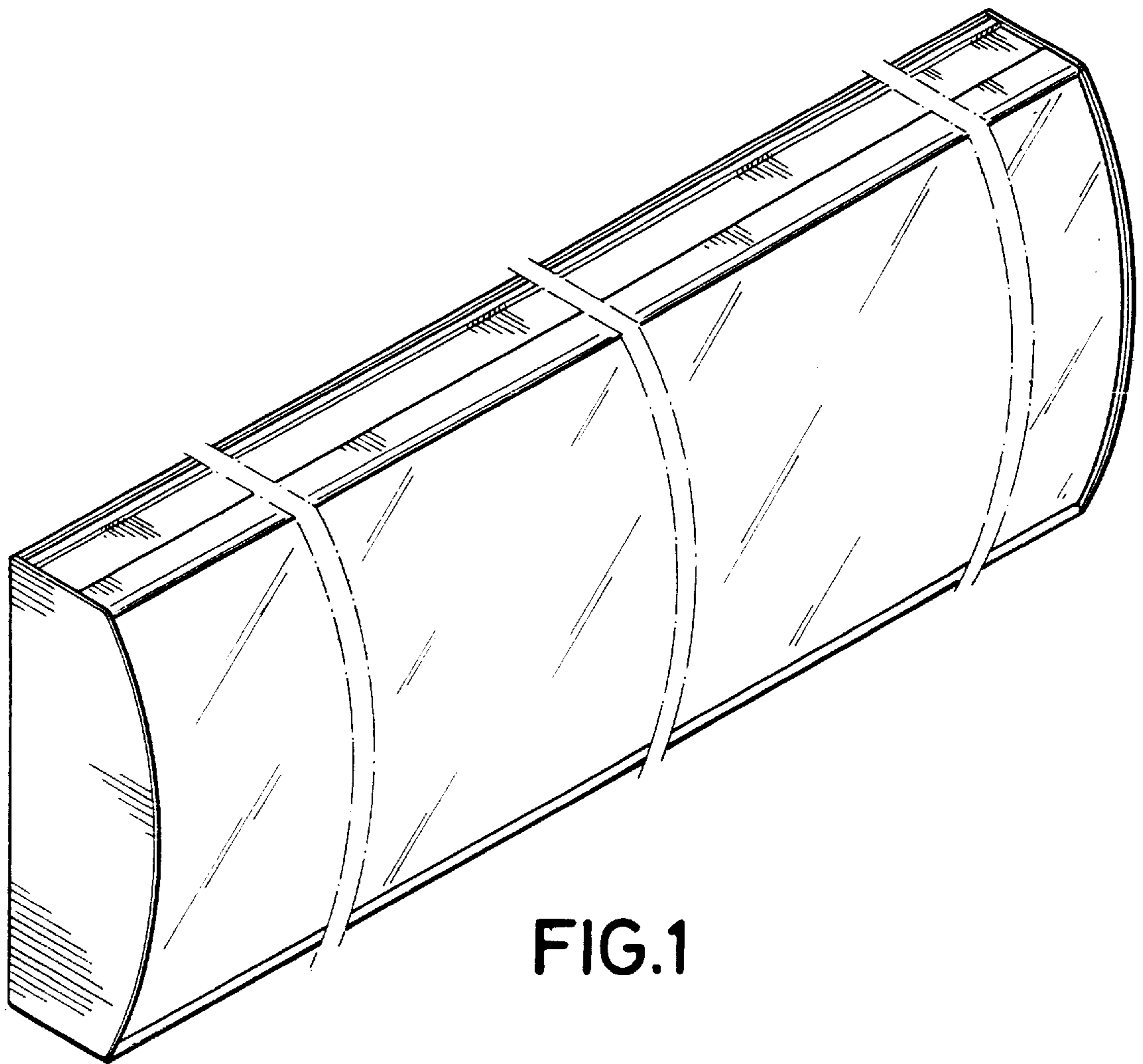


FIG. 1

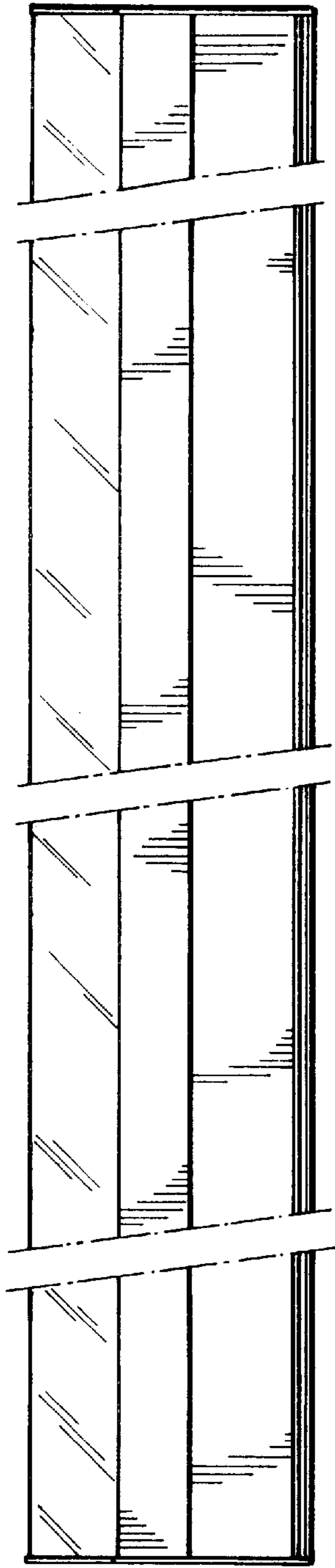


FIG. 2

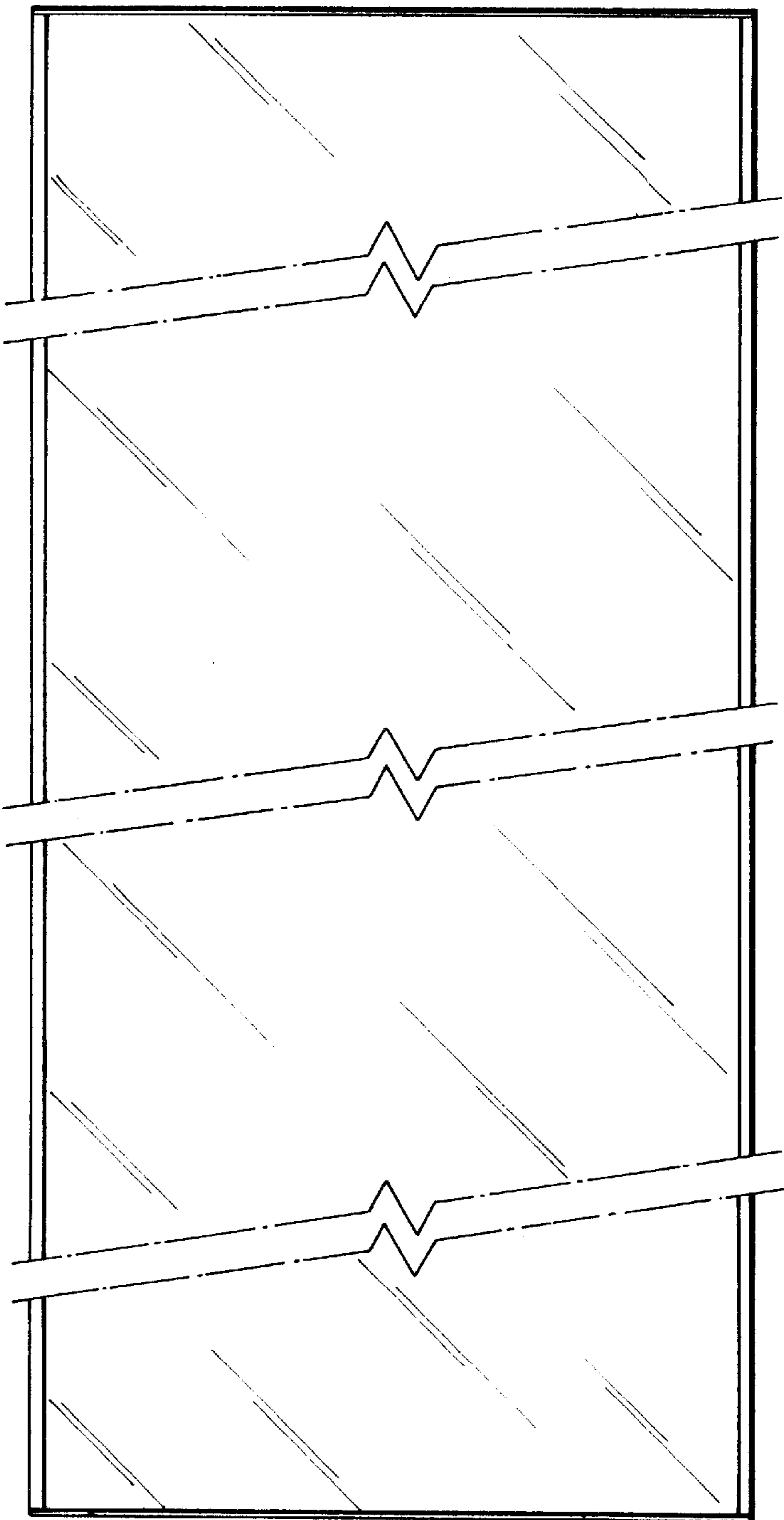


FIG. 4

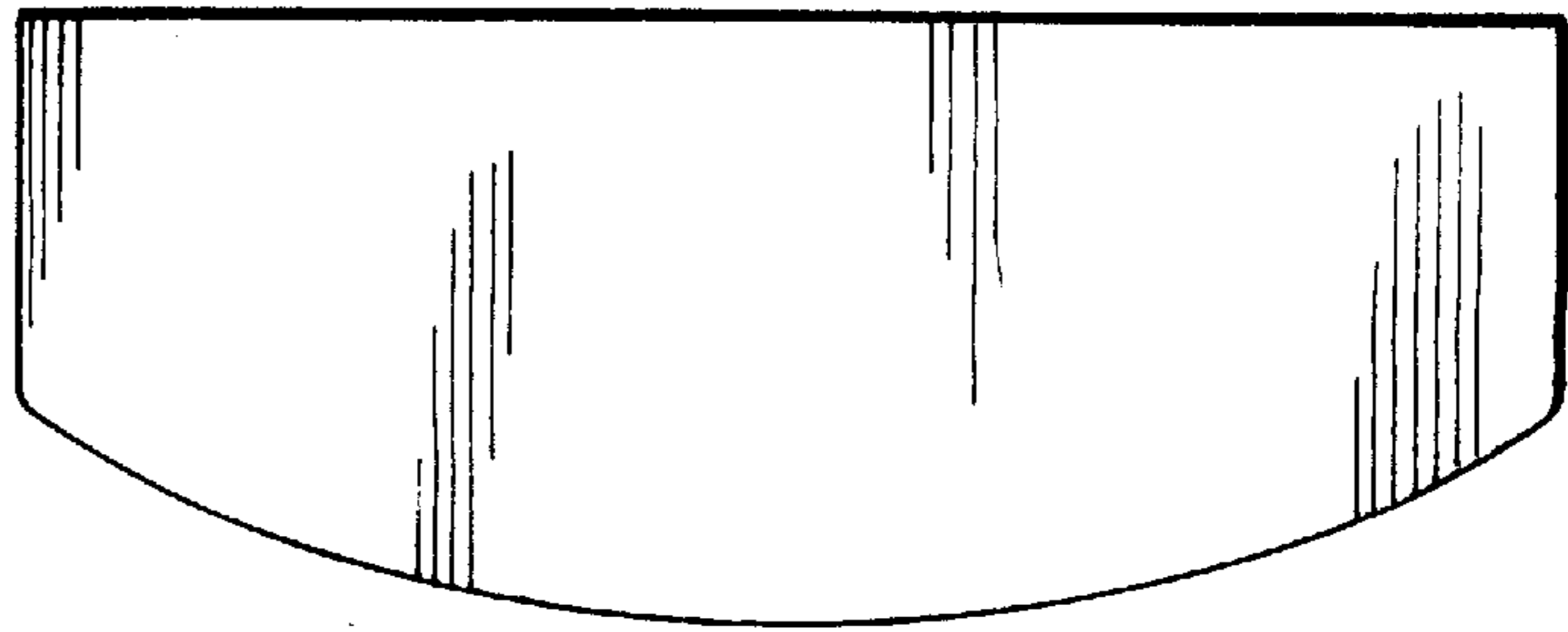


FIG. 3

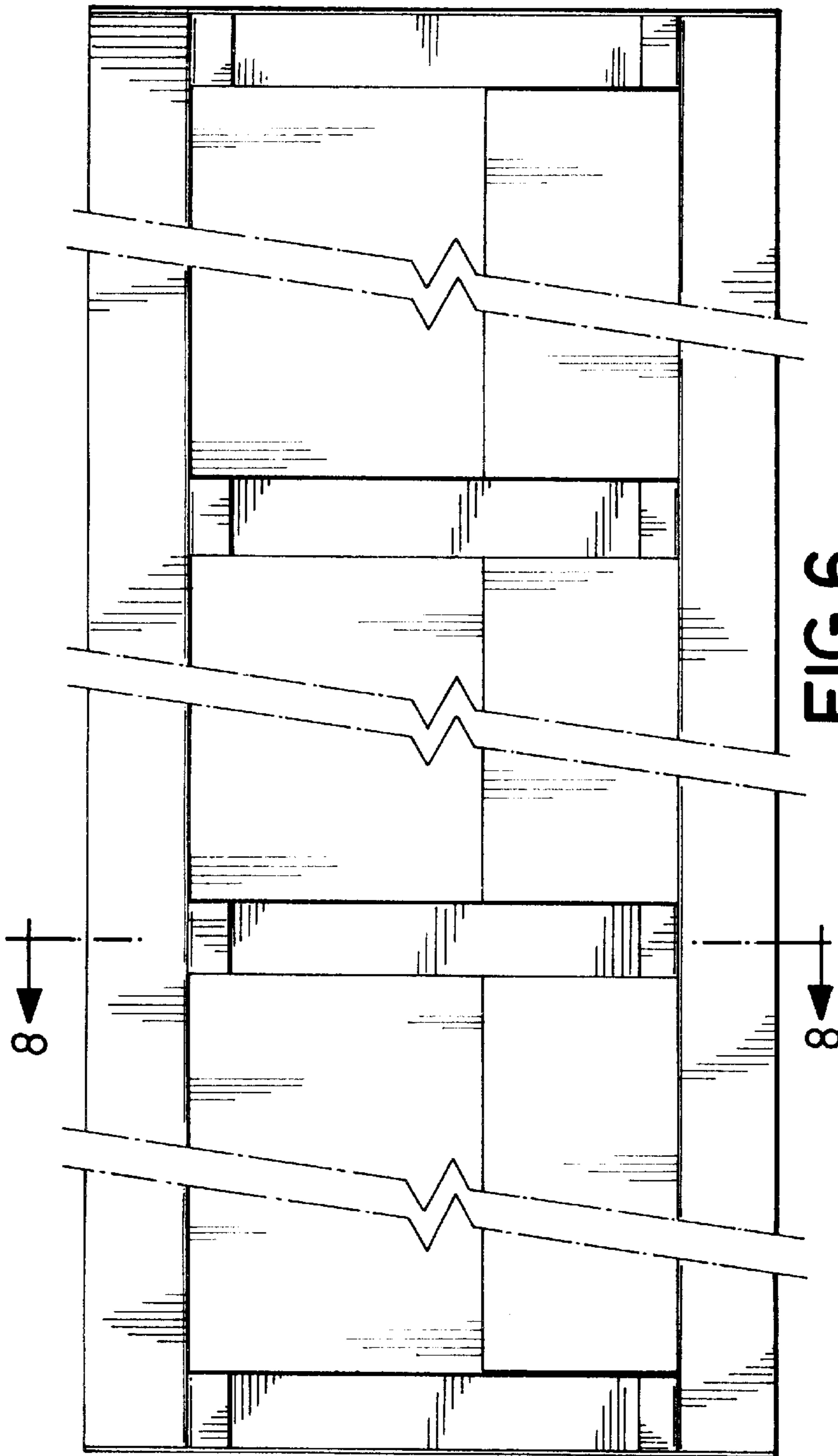


FIG. 6

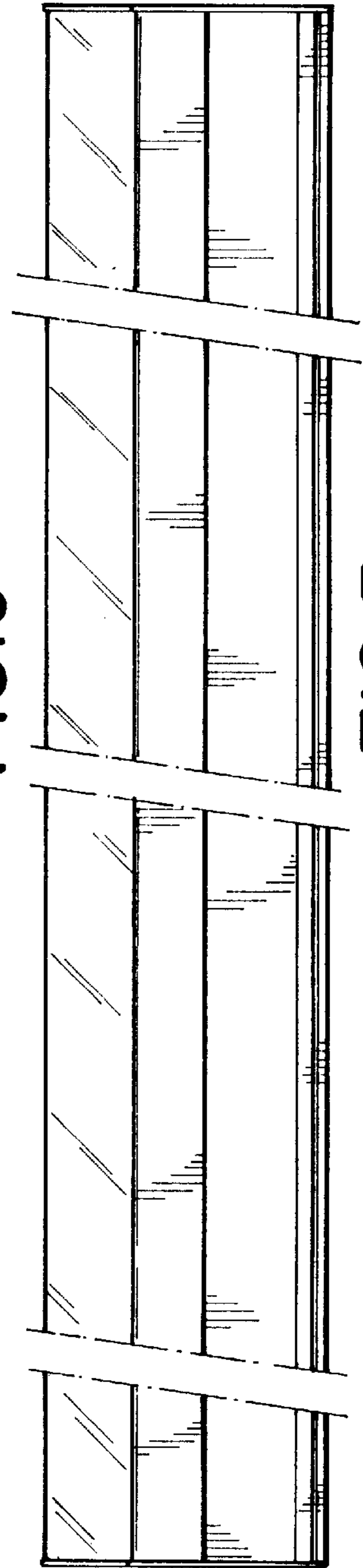


FIG. 7

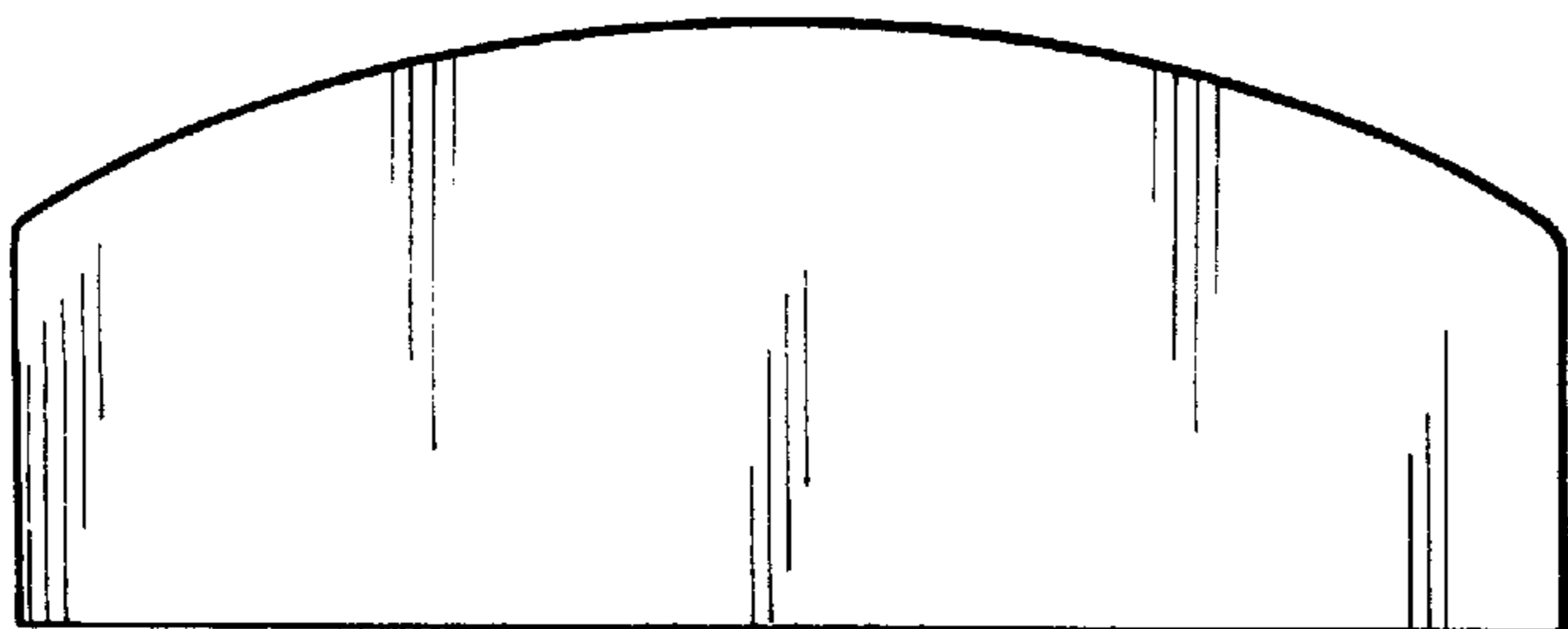


FIG. 5

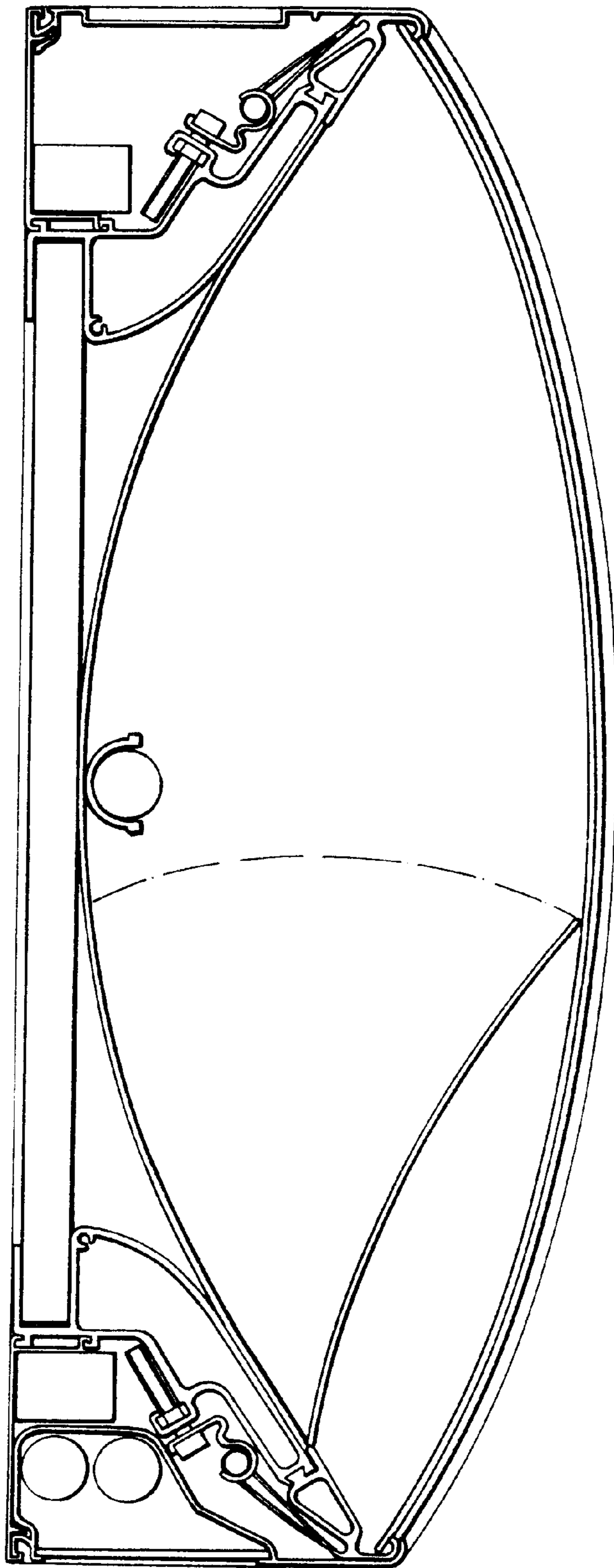


FIG.8