



US00D432577S

**United States Patent** [19]  
**Yeh**

[11] **Patent Number: Des. 432,577**

[45] **Date of Patent: \*\* Oct. 24, 2000**

[54] **STATIONERY ORGANIZER**

[76] **Inventor: Sheng-Fu Yeh**, 3 F., No. 61-2,  
Chung-Hsing St., Shu-Lin, Taipei Hsien,  
Taiwan

[\*\*] **Term: 14 Years**

[21] **Appl. No.: 29/115,320**

[22] **Filed: Dec. 13, 1999**

[51] **LOC (7) Cl. .... 19-02**

[52] **U.S. Cl. .... D19/77; D19/85**

[58] **Field of Search .... D19/65, 75, 77,  
D19/78, 81-85, 95, 99, 100; D28/61, 73;  
D7/641; 206/214, 224, 371; 211/69.1-69.9,  
70, 78, 70.7, 163**

[56] **References Cited**

**U.S. PATENT DOCUMENTS**

D. 266,435 10/1982 Laughlin ..... D19/75

D. 372,938 8/1996 Wilson et al. .... D19/75  
D. 377,807 2/1997 Green et al. .... D19/77  
D. 407,753 4/1999 Kwok ..... D19/77  
D. 418,947 1/2000 Greiner ..... D28/73  
4,305,511 12/1981 Denholtz ..... 211/70  
4,534,474 8/1985 Ng ..... 211/70  
4,953,696 9/1990 Huang et al. .... 206/214

*Primary Examiner*—Martie K. Holtje  
*Attorney, Agent, or Firm*—A & J

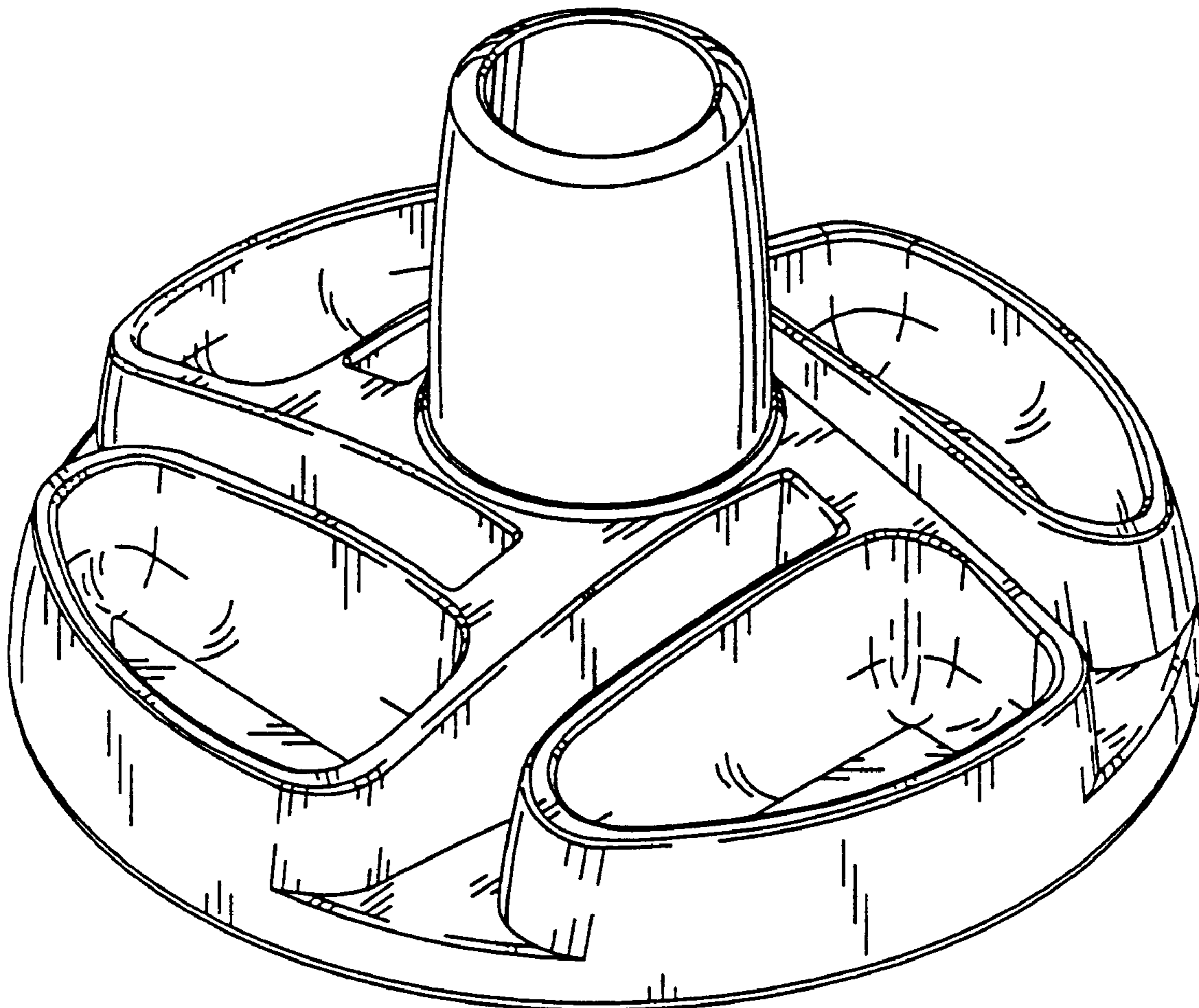
[57] **CLAIM**

The ornamental design for a stationery organizer, substantially as shown and described.

**DESCRIPTION**

FIG. 1 is a perspective view of a stationery organizer showing my new design.  
FIG. 2 is a front side elevation view thereof;  
FIG. 3 is a top plan view thereof; and,  
FIG. 4 is a bottom plan view thereof.

**1 Claim, 3 Drawing Sheets**



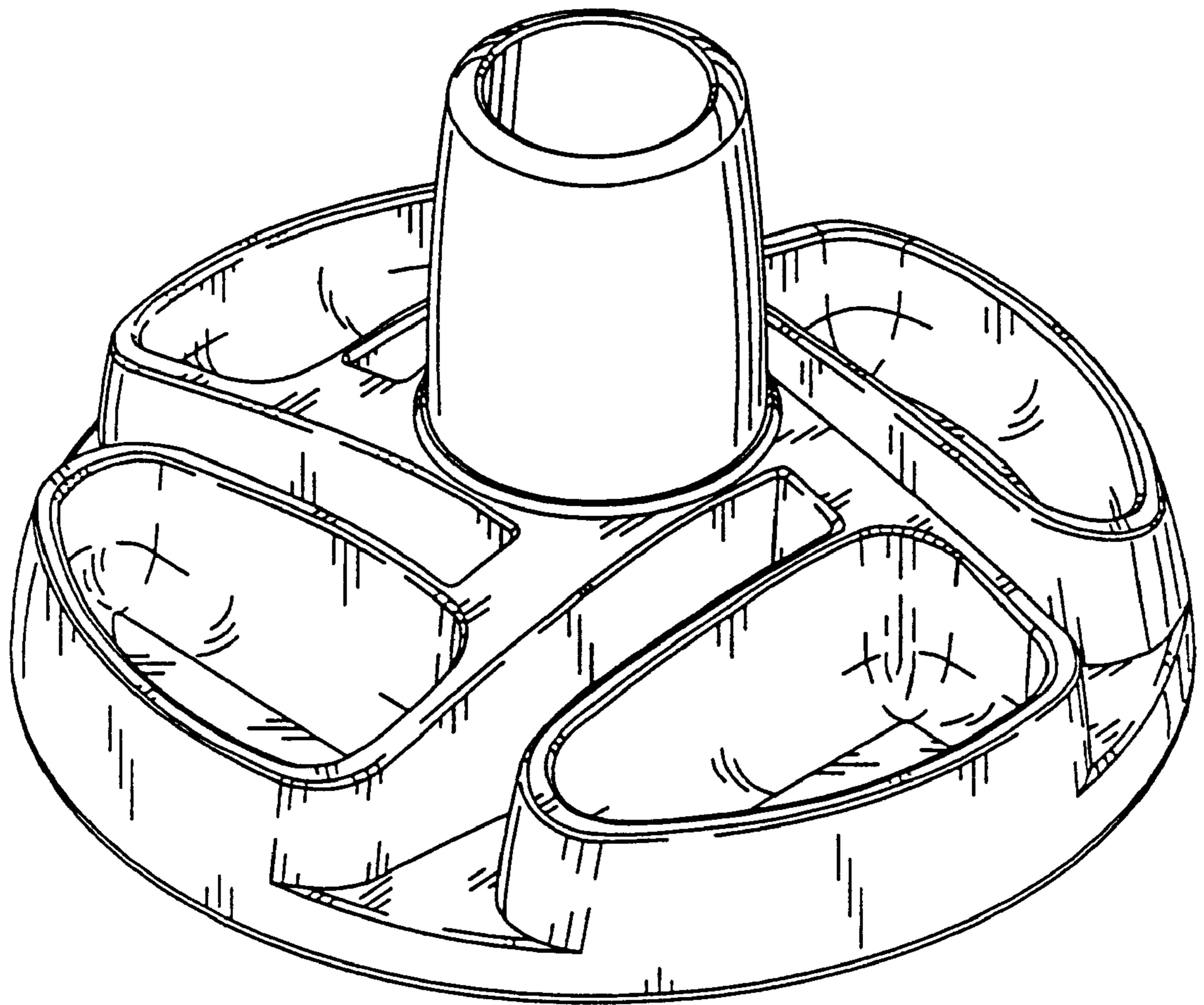


FIG. 1

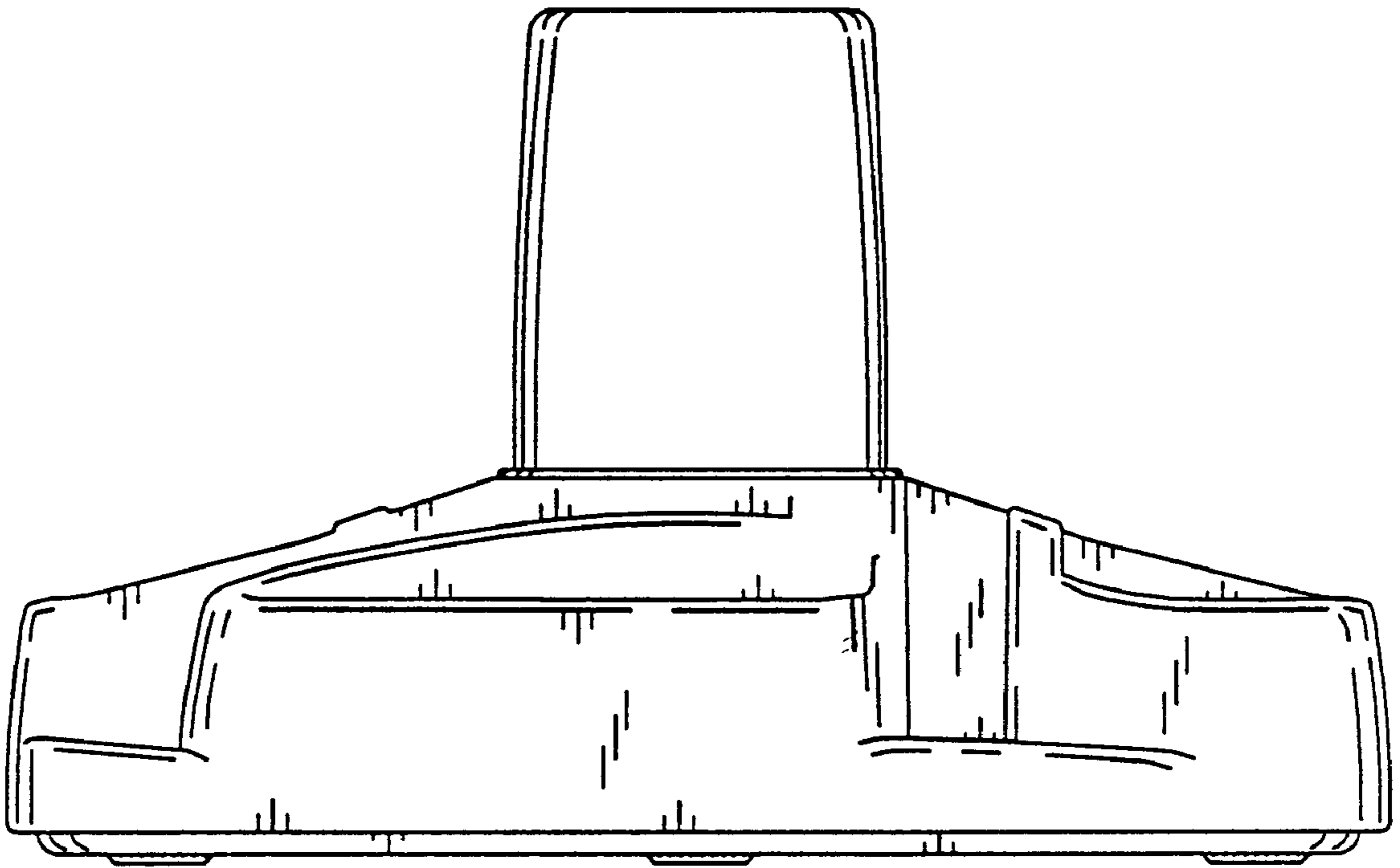


FIG. 2

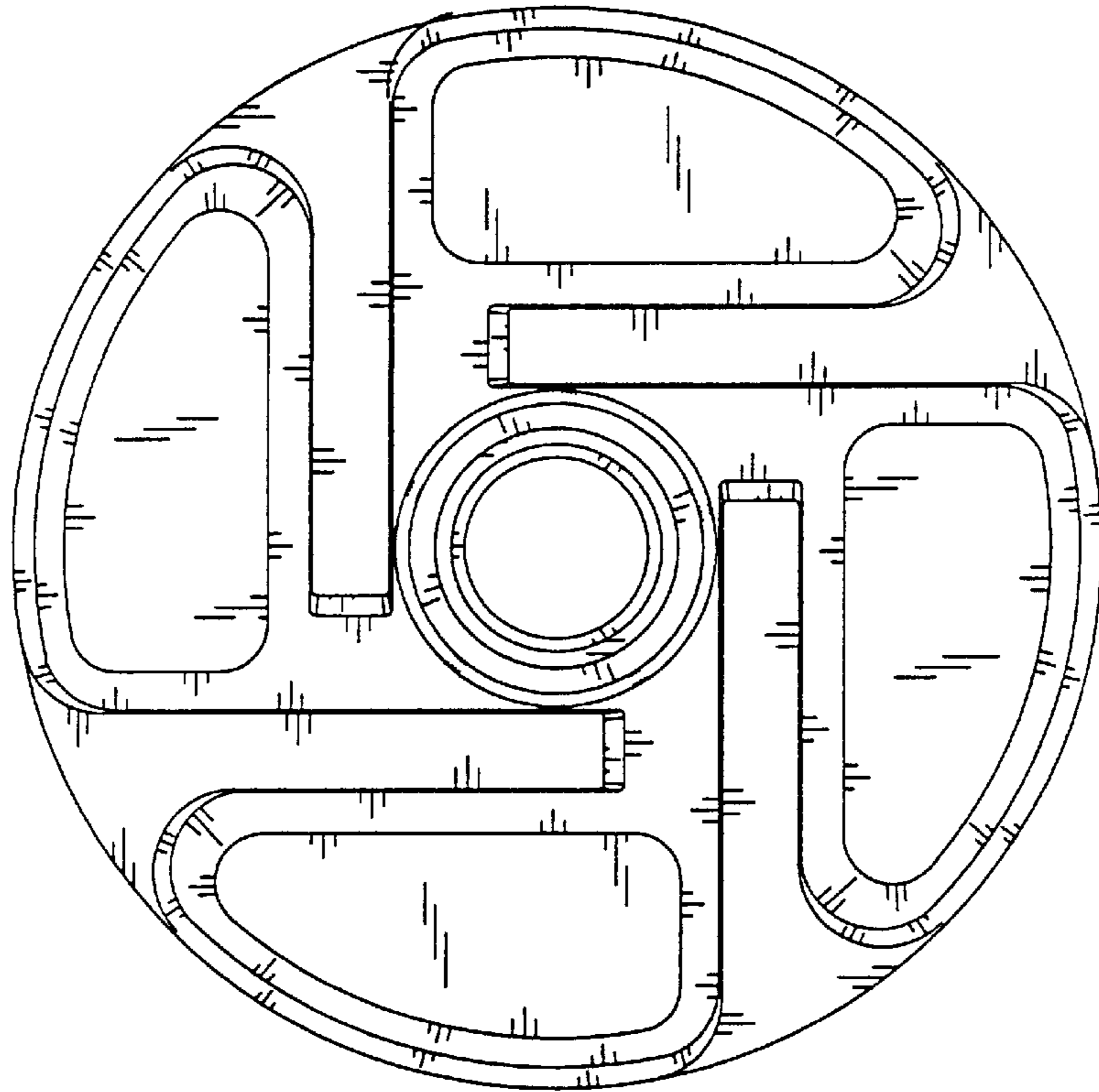


FIG. 3

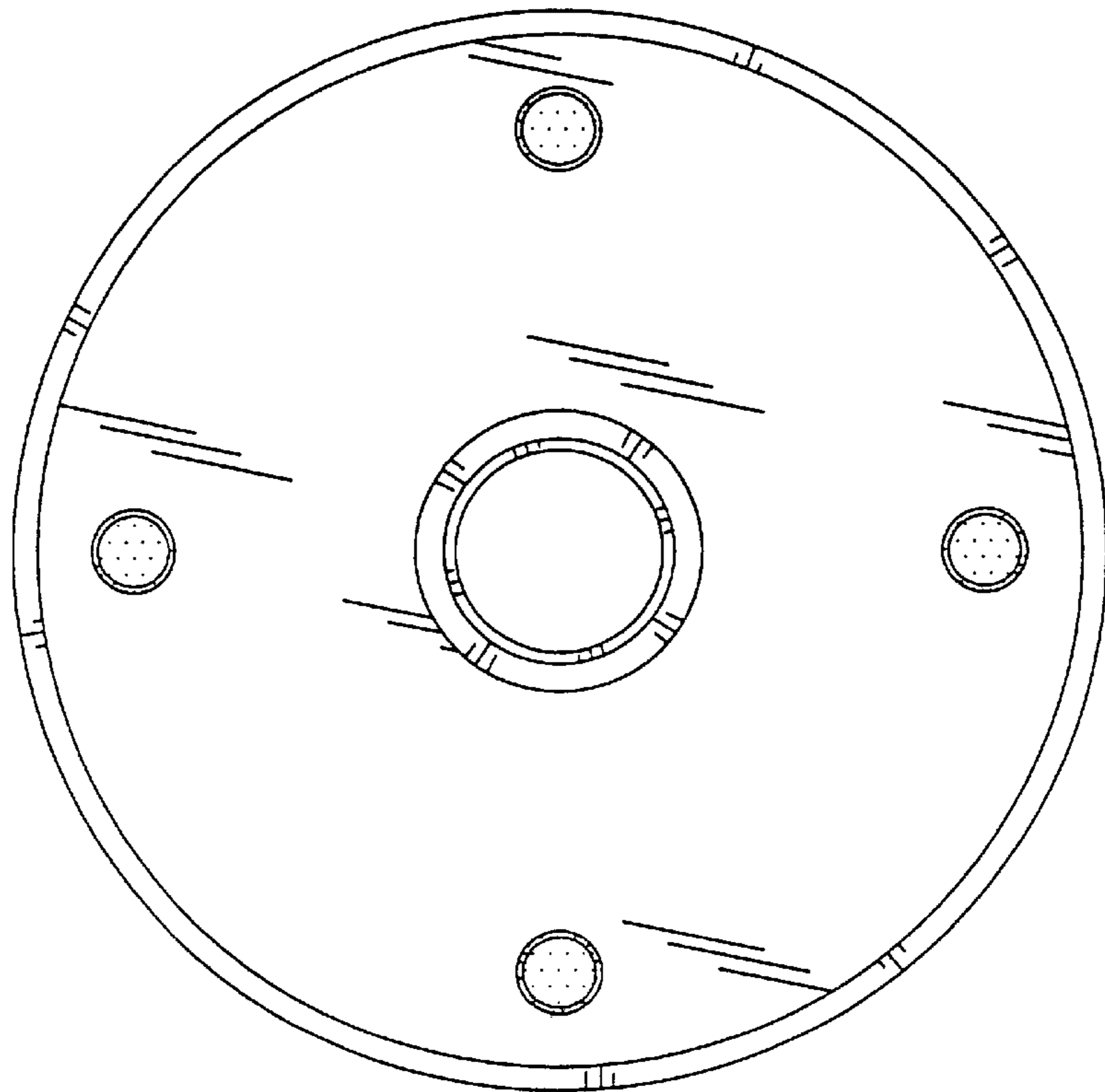


FIG. 4