

US00D432575S

United States Patent [19] Van Den Berg

[11] Patent Number: **Des. 432,575**

[45] Date of Patent: **** Oct. 24, 2000**

[54] **TAPE DISPENSER**

[75] Inventor: **Jos A.P.W. Van Den Berg**, Lith, Netherlands

[73] Assignee: **Ray Technology Group B.V.**, DL Drunen, Netherlands

[**] Term: **14 Years**

[21] Appl. No.: **29/111,988**

[22] Filed: **Oct. 7, 1999**

[30] **Foreign Application Priority Data**

Apr. 7, 1999 [CH] Switzerland 1259/67

[51] **LOC (7) Cl.** **19-02**

[52] **U.S. Cl.** **D19/69; D19/67**

[58] **Field of Search** D19/65, 67-69; 206/389, 395, 396, 397, 398, 411, 415; 225/6, 7, 9, 25, 34-36, 45-46, 56, 65, 77, 89; 156/327, 527, 577, 523; 242/588, 588.1-588.6

[56] **References Cited**

U.S. PATENT DOCUMENTS

D. 144,215	3/1946	Preble, Jr.	D19/69
D. 146,718	4/1947	Hudson	D19/69
D. 348,691	7/1994	Bell et al.	D19/69
D. 370,692	6/1996	Crawford et al.	D19/69
D. 407,438	3/1999	Kelders et al.	D19/69
2,167,908	8/1939	Richards	242/588.6
5,181,983	1/1993	Sakai	156/523

Primary Examiner—Martie K. Holtje
Attorney, Agent, or Firm—Hill & Simpson

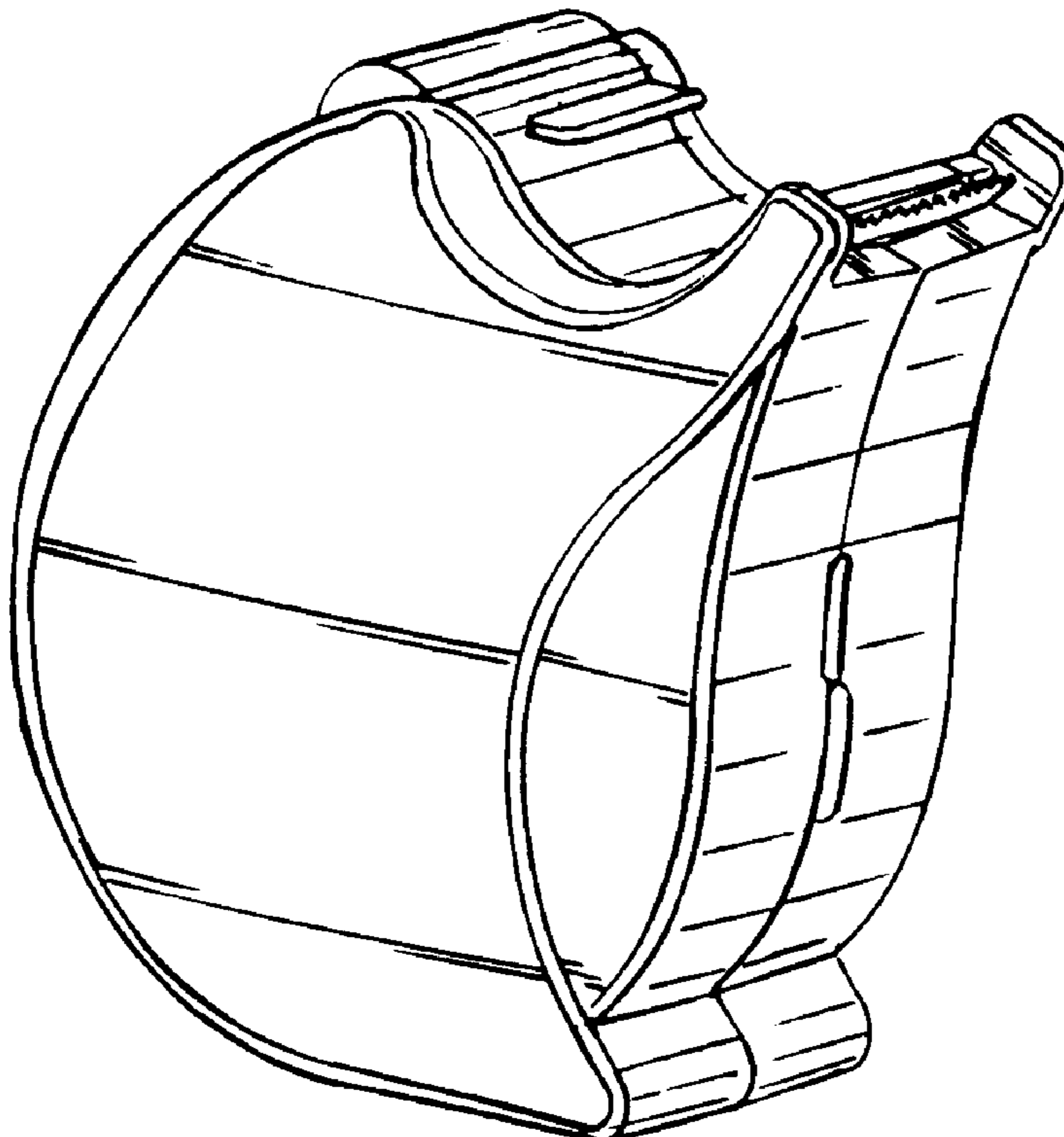
[57] **CLAIM**

The ornamental design for a tape dispenser, as shown and described.

DESCRIPTION

FIG. 1 is a perspective view from the front right side of a tape dispenser according to the present invention;
 FIG. 2 is a perspective view taken from the back left side of the tape dispenser according to the present invention;
 FIG. 3 is an elevational view of a back of the tape dispenser according to the present invention;
 FIG. 4 is an elevational view of the right side of the tape dispenser according to the present invention;
 FIG. 5 is a front elevational view of the tape dispenser according to the present invention;
 FIG. 6 is a bottom plan view of the tape dispenser according to the present invention;
 FIG. 7 is a side elevational view of the left side of the tape dispenser which has been rotated through 90° from the view of FIG. 4;
 FIG. 8 is a top plan view of the tape dispenser according to the present invention;
 FIG. 9 is a perspective view of the right part showing the inside of the tape dispenser according to the present invention; and
 FIG. 10 is a perspective view of the left part of the tape dispenser according to the present invention.

1 Claim, 2 Drawing Sheets



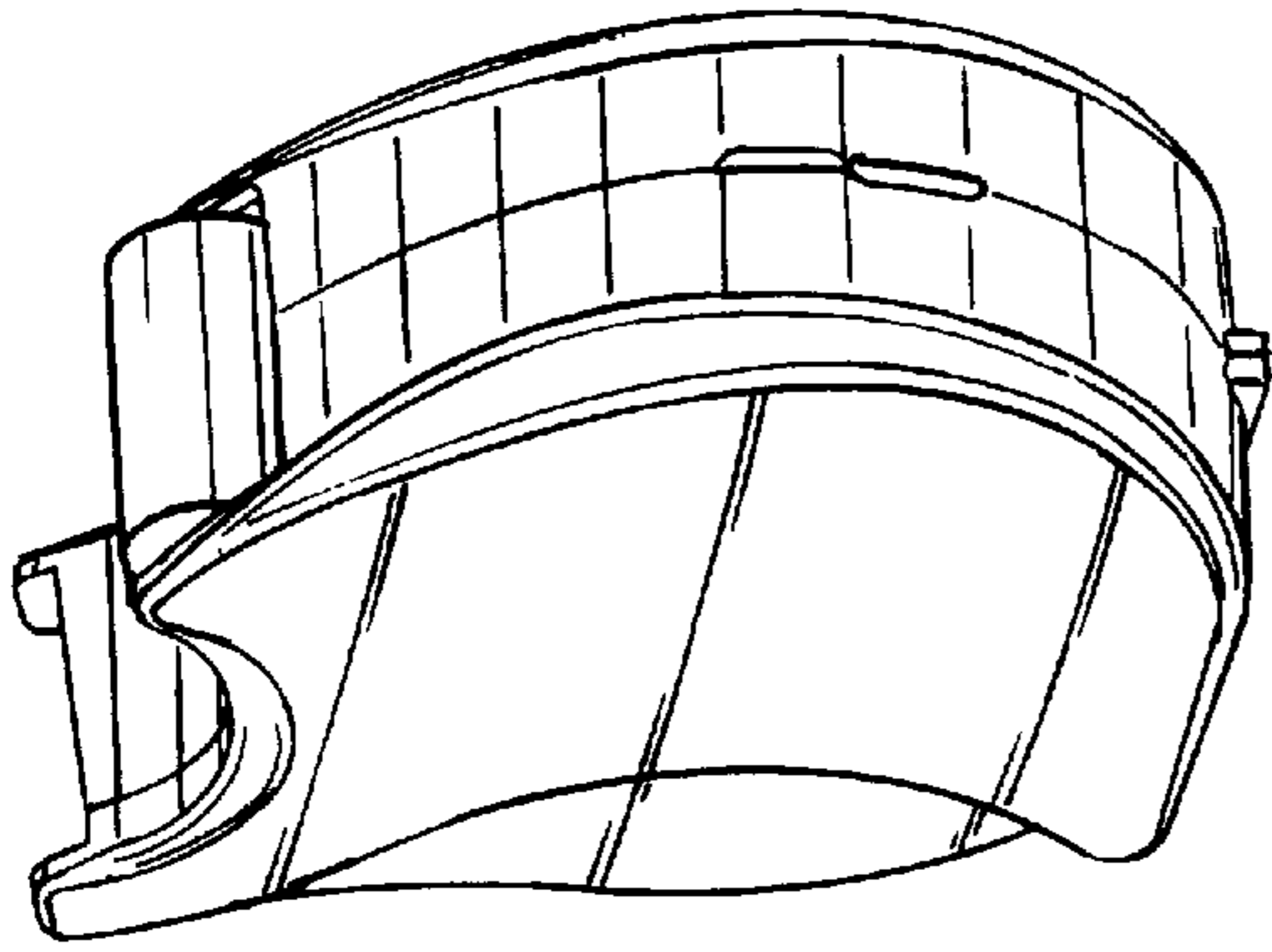


FIG. 2

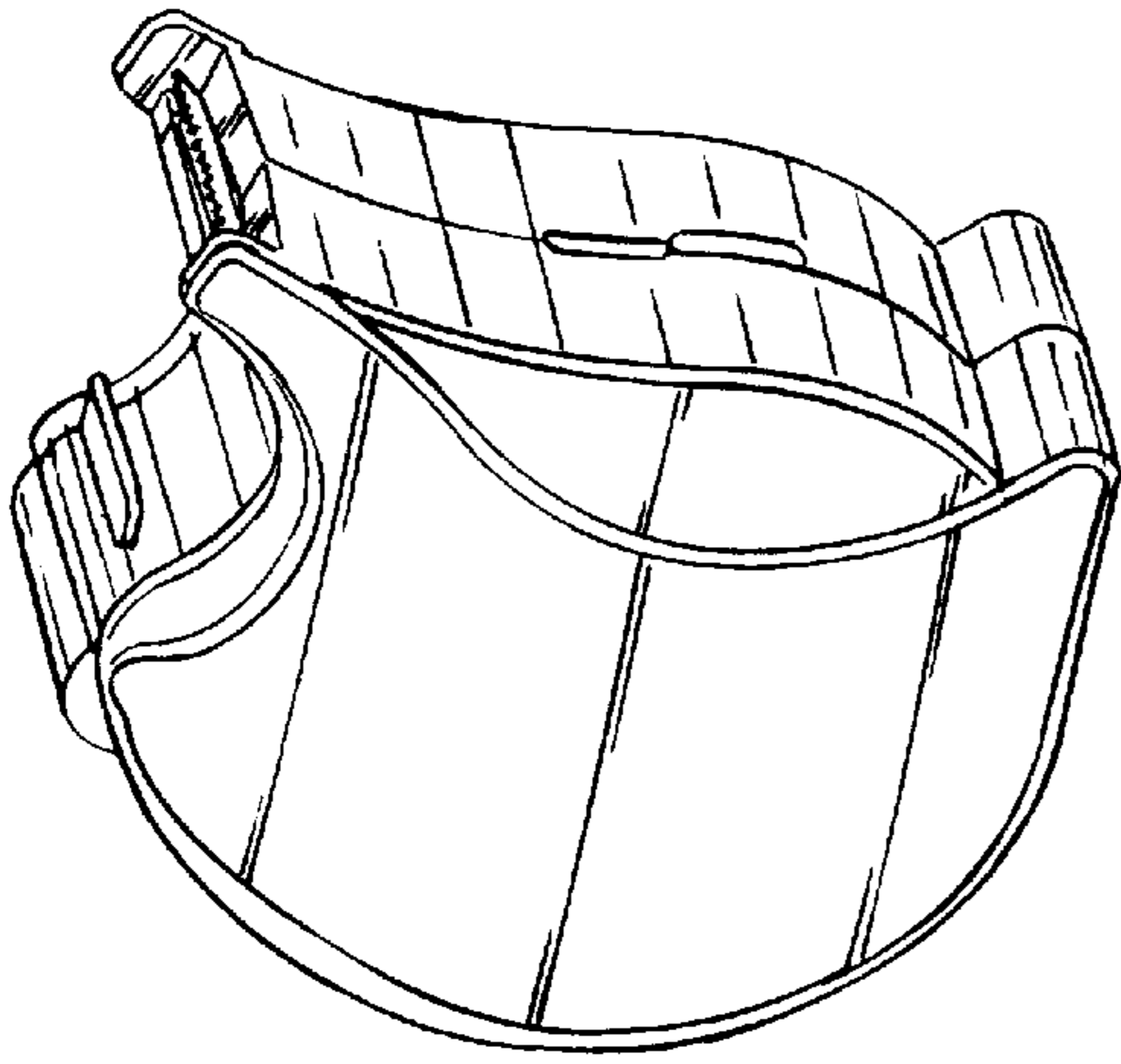


FIG. 1

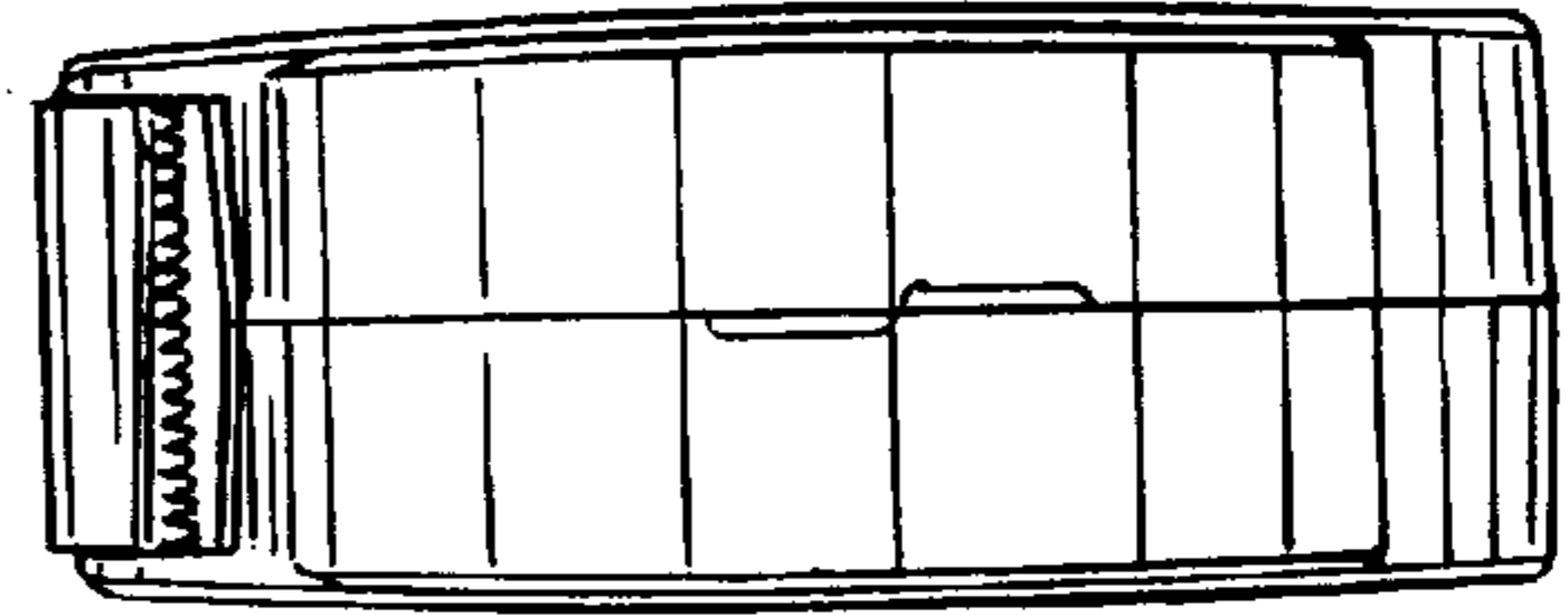


FIG. 5

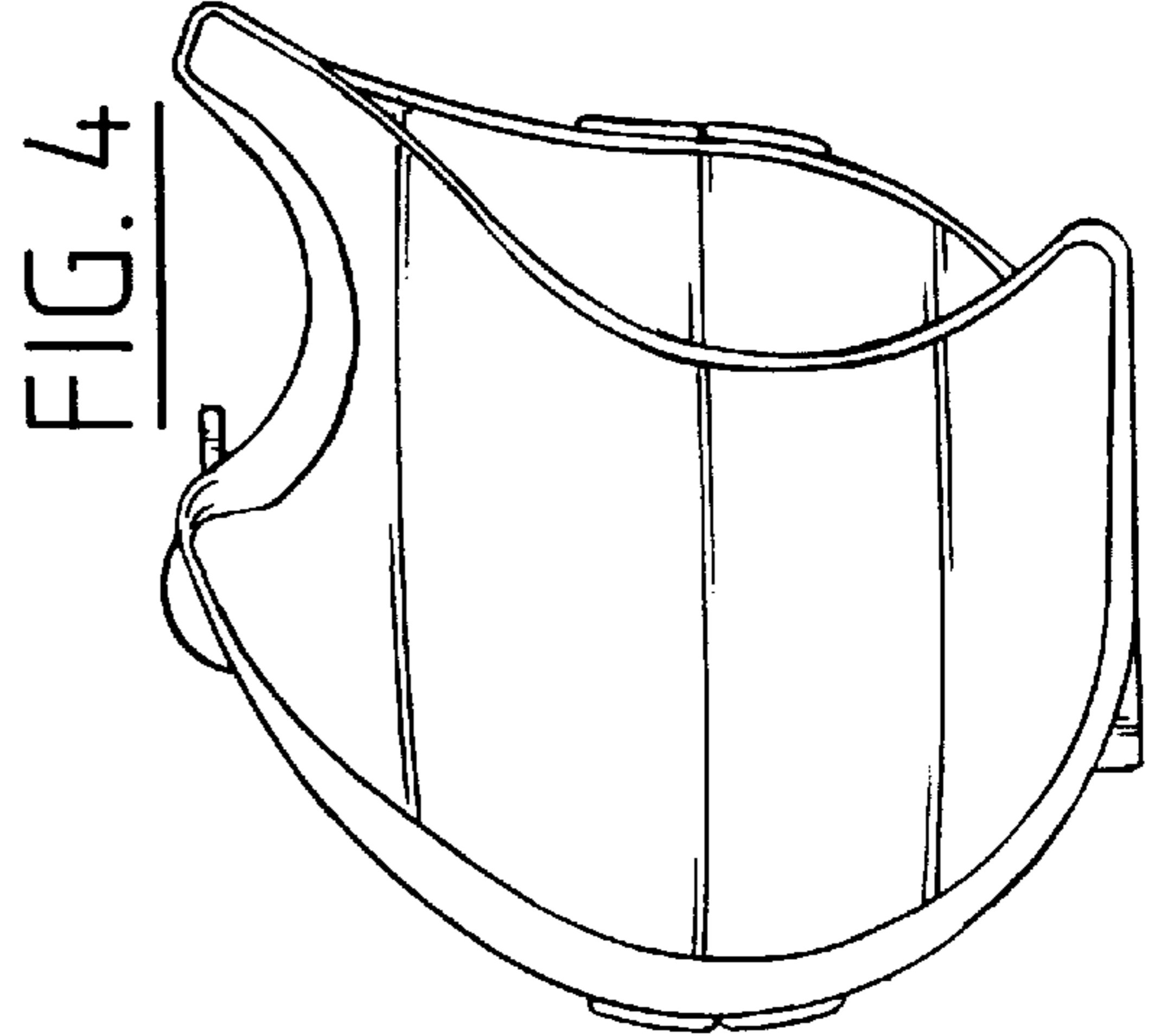


FIG. 4

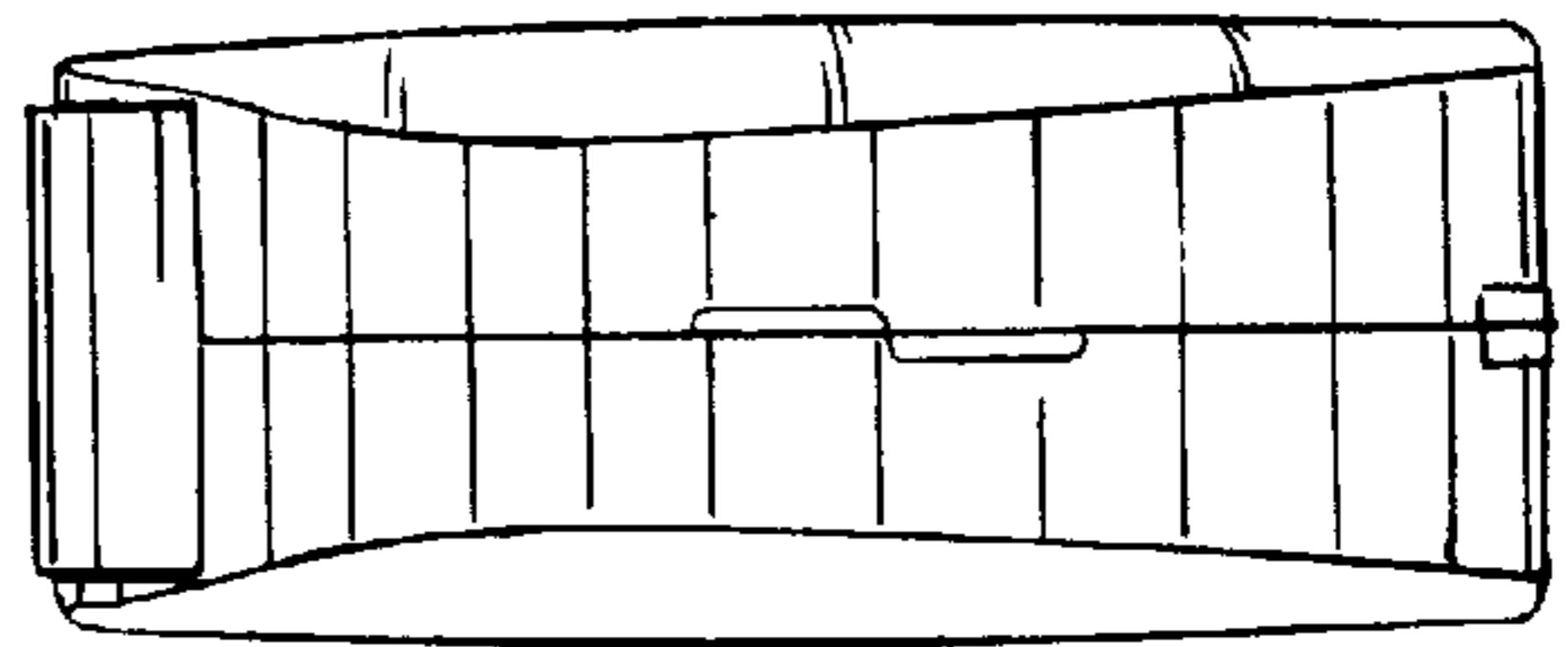


FIG. 3

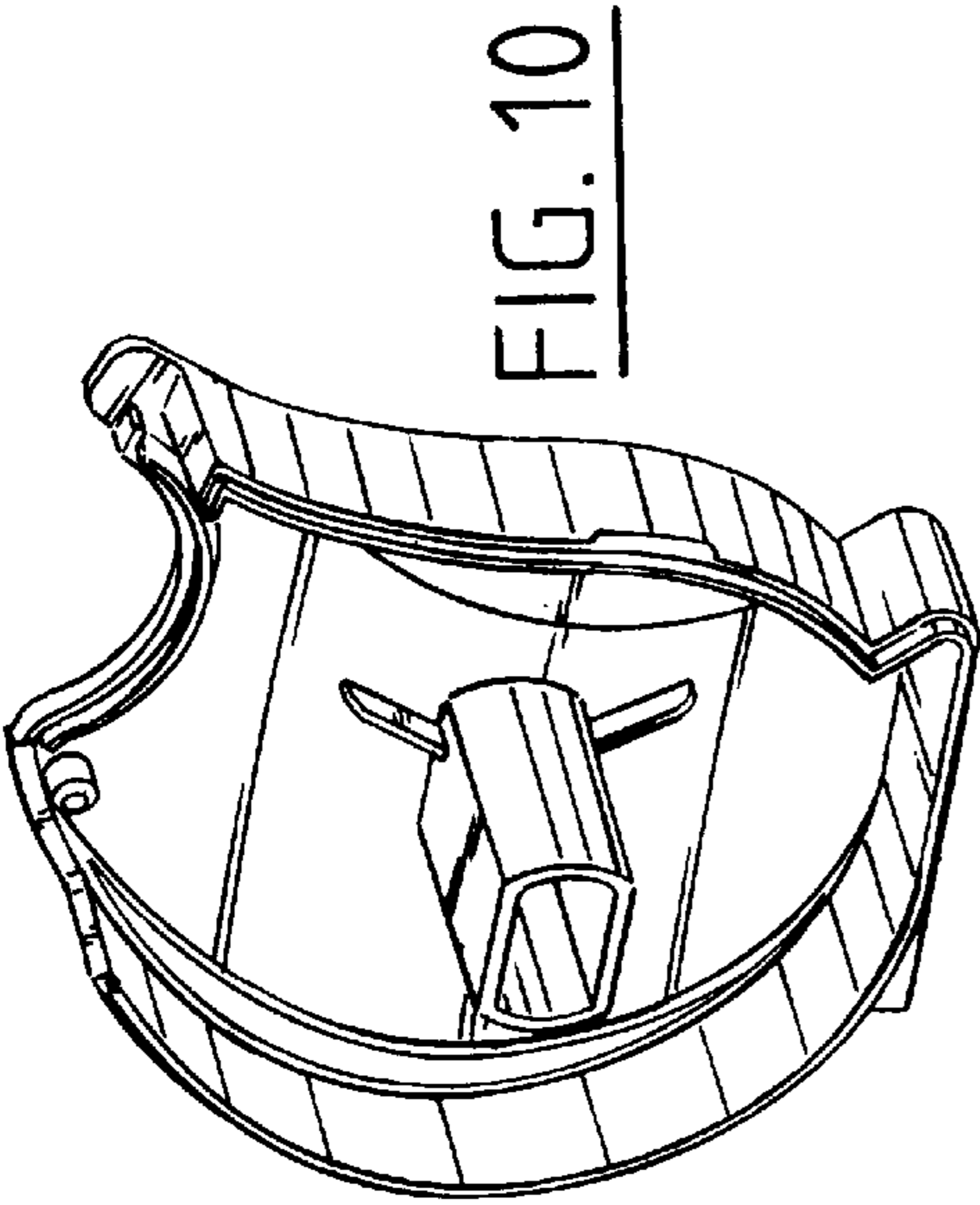


FIG. 10

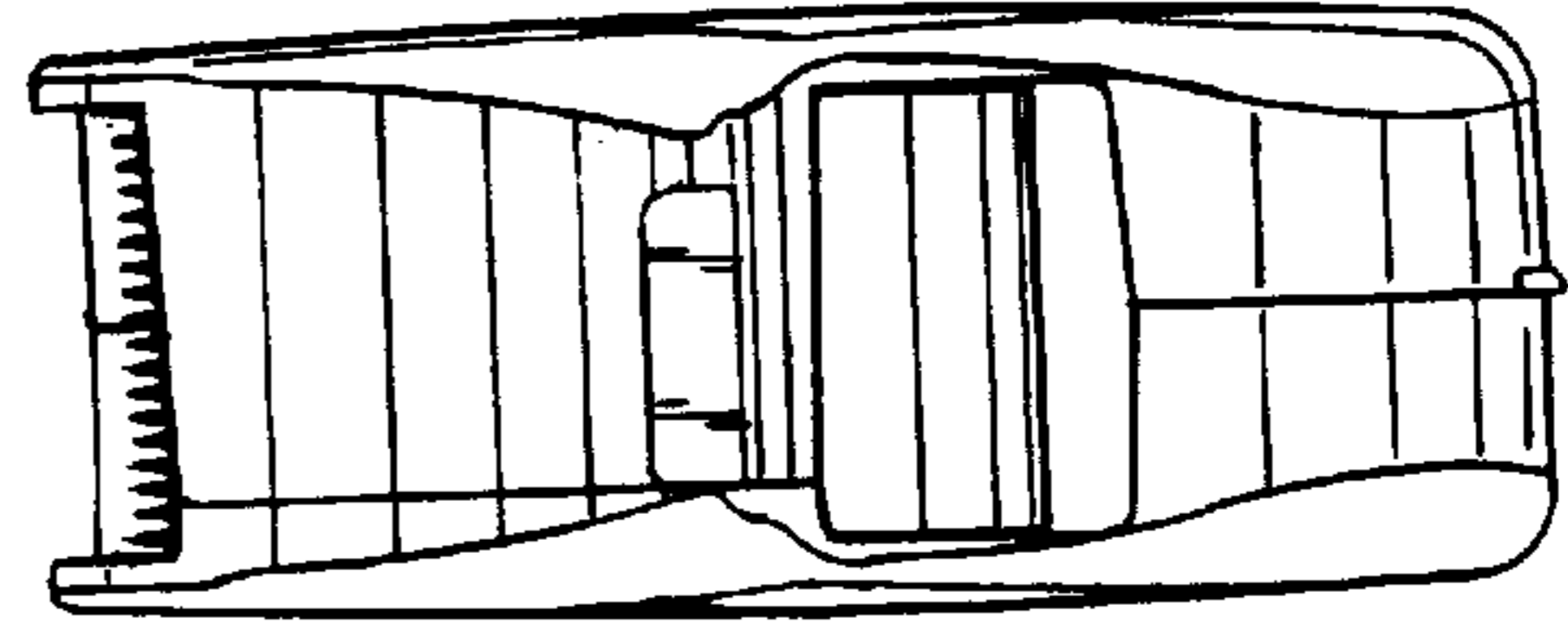


FIG. 8

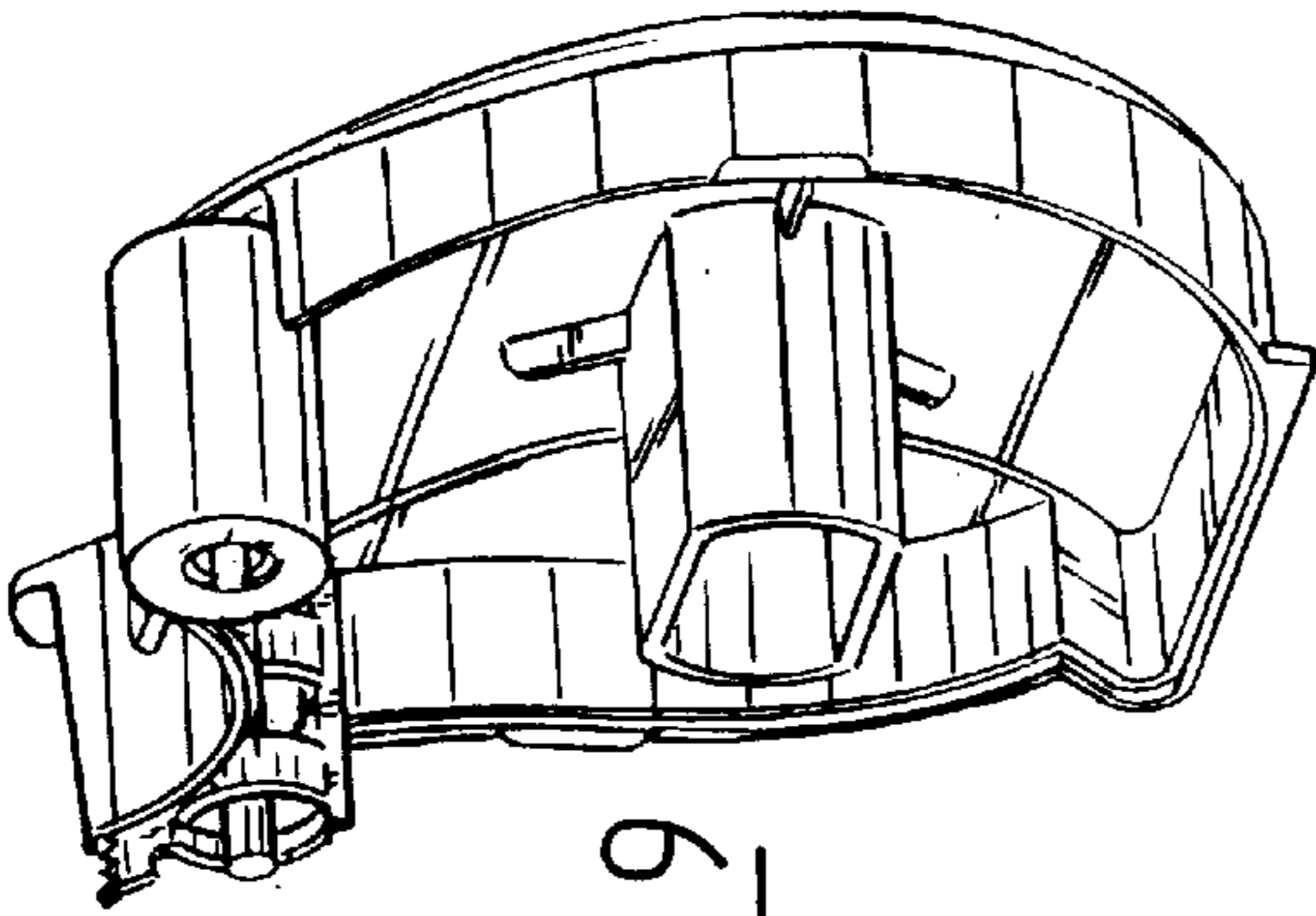


FIG. 9

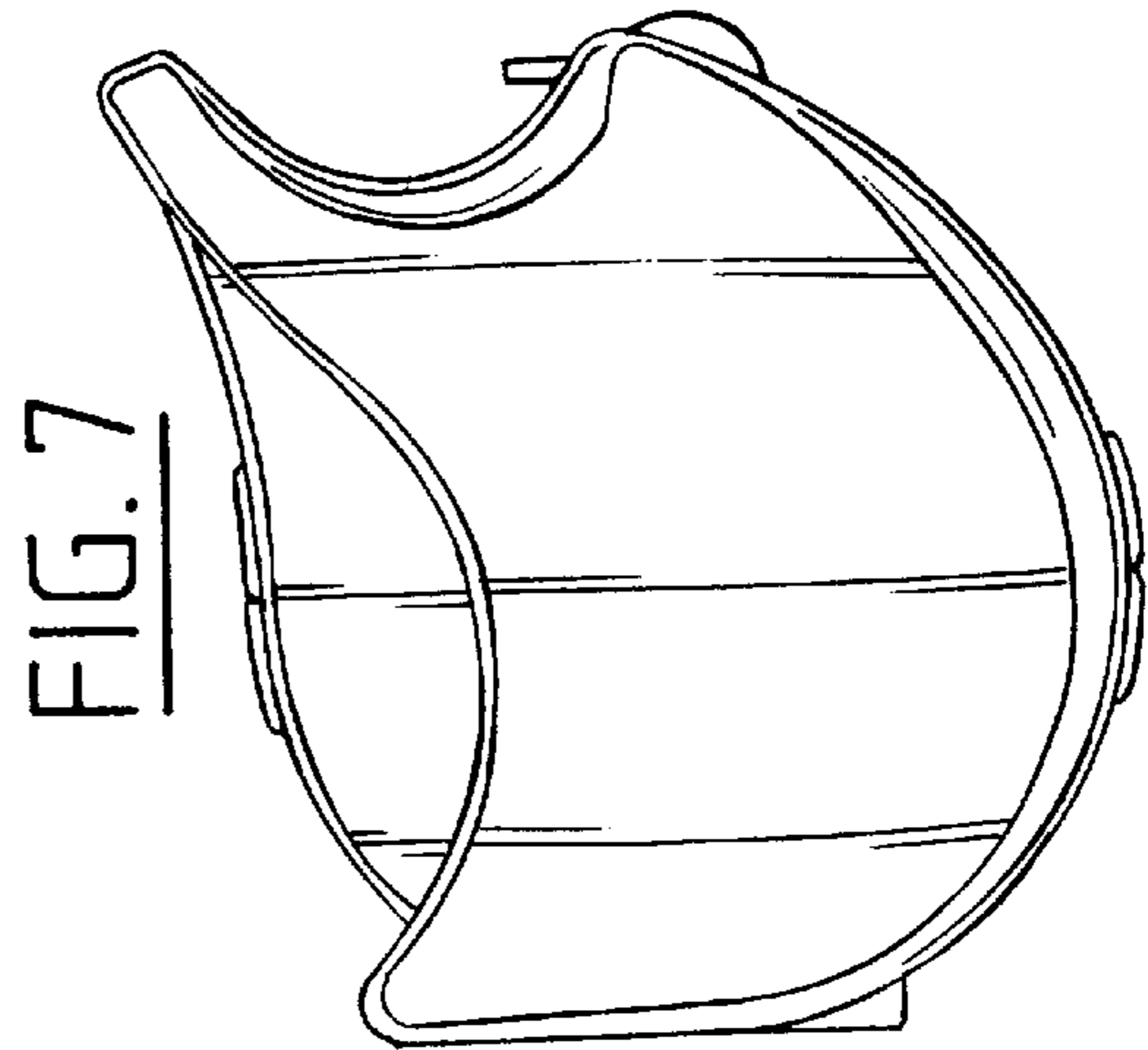


FIG. 7

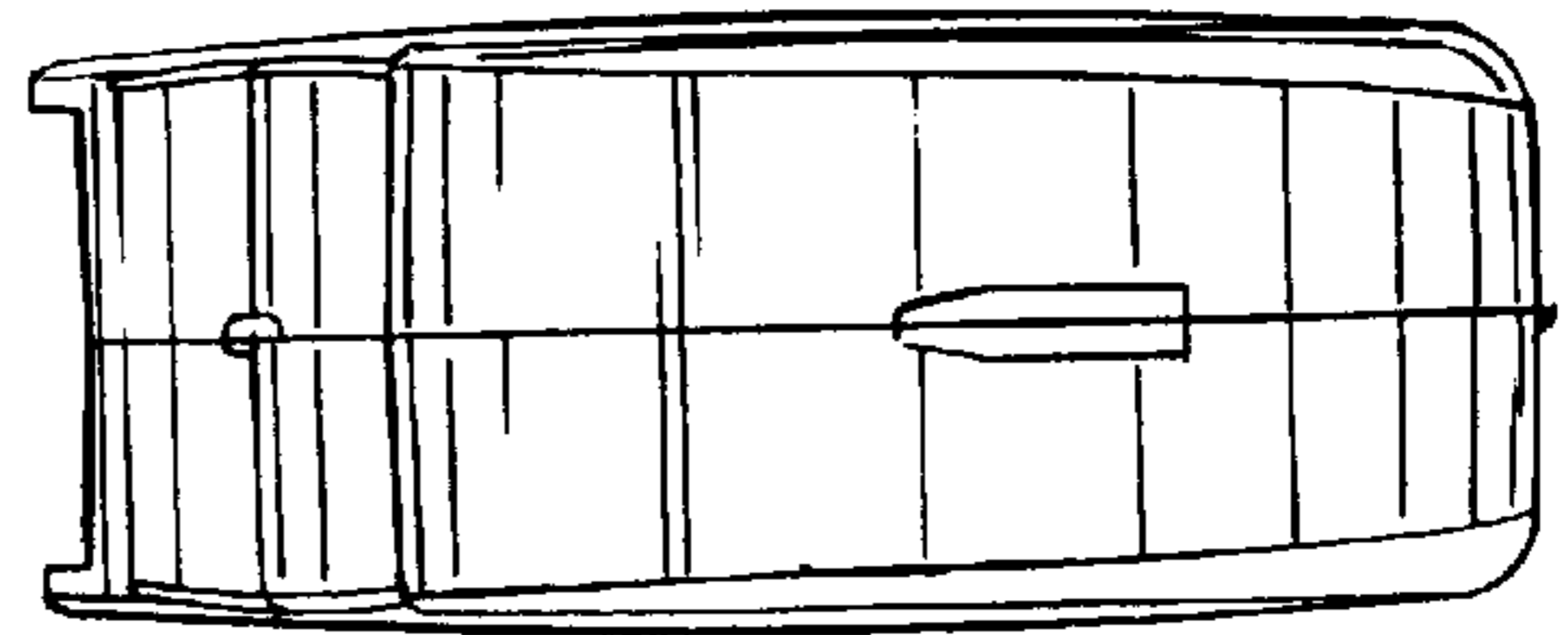


FIG. 6